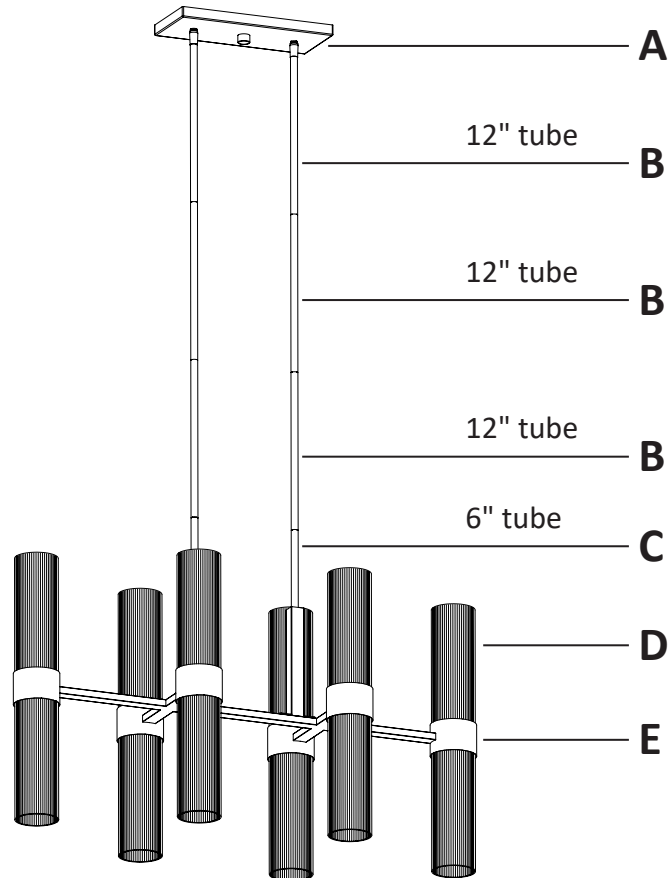


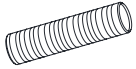


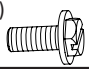
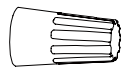

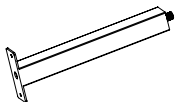

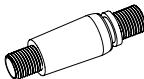




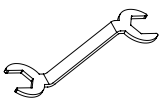


USE AND CARE MANUAL

12-LIGHT PENDANT Model number: 21588



Hardware (Parts are not to scale)

H1 Mounting strip 1 pc 	H2 Outlet box screw 2 pcs 	H3 Threaded tube (Pre-assembled to mounting strip) 1 pc 	H4 Hex nut (Pre-assembled to threaded tube (one thick and one thin)) 2 pcs 
H5 Lock washer (Pre-assembled to threaded tube) 1 pc 	H6 Green ground screw (Pre-assembled to mounting strip) 1 pc 	H7 Wire connector 3 pcs 	H8 Finial (Pre-assembled to threaded tube) 1 pc 
H9 Square tube 2 pcs 	H10 Screw (Pre-assembled to the fixture body) 4 pcs 	H11 Joint 2 pcs 	H12 Star washer (Pre-assembled to the Joint) 3 pc 
H13 3/8" hex nut (Pre-assembled to the Joint) 2 pcs 	H14 Bare copper ground wire (Pre-assembled to the Joint) 1PC 	H15 Metal plate 1PC 	H16 Wrench 1PC 

THIS MANUAL CONTAINS IMPORTANT SAFETY INFORMATION. PLEASE READ AND KEEP FOR FUTURE REFERENCE.

IMPORTANT SAFETY INFORMATION

- Please read and understand this entire manual before attempting to assemble, operate or install the product.
 - Turn off electricity at main fuse box (or circuit breaker box) before beginning installation by removing fuse (or switching off circuit breaker).
 - Be careful not to damage or cut the wire insulation (covering) during fixture installation. Do not permit wires to contact any surface having a sharp edge. To do so may damage or cut the wire insulation, which could cause serious injury or death from electric shock.
 - All electrical connections must be in agreement with local codes, ordinances or the national electric code (NEC). Contact your municipal building department to learn about your local codes, permits and/or inspections. If you do not have electrical wiring experience, refer to a do-it-yourself wiring handbook or have your fixture installed by a qualified licensed electrician.
 - Risk of fire – most dwellings built before 1985 have supply wire rated for 140°F/60°C. Consult a qualified electrician before installation.
 - Do not exceed the recommended wattage. Refer to the re-lamping label on the light socket for maximum wattage.
 - Do not replace a bulb when electrical outlet switch is turned to the “ON” position.
 - Do not immerse your lamp in water; doing so will damage the wire.
 - Keep materials that burn easily away from lighted bulbs.
 - Please make sure that the ceiling or wall can stand the weight of the lamp.
-

PREPARATION

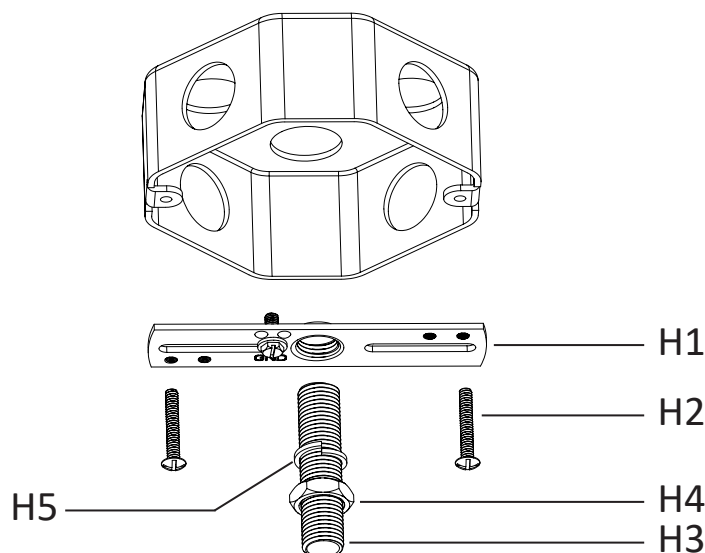
- Before beginning assembly, installation or operation of product, make sure all parts are present. Compare parts with package contents list and diagram on previous page. If any part is missing or damaged, do not attempt to assemble, install or operate the product. Contact customer service for replacement parts.
 - Tools required for assembly (not included): flathead screwdriver, phillips screwdriver, pliers, electrical tape, wire cutters, safety glasses, ladder, wire stripper.
-

INSTALLATION

1 Installing the mounting strip

- Fasten the mounting strip (H1) onto the outlet box (not provided) using two outlet box screws (H2). Screw the threaded tube (H3) into the mounting strip (H1). Using the lock washer (H5) and thick hex nut (H4), secure the threaded tube (H3) in place. Keep the thin hex nut (H4) and the finial (H8) for later use.

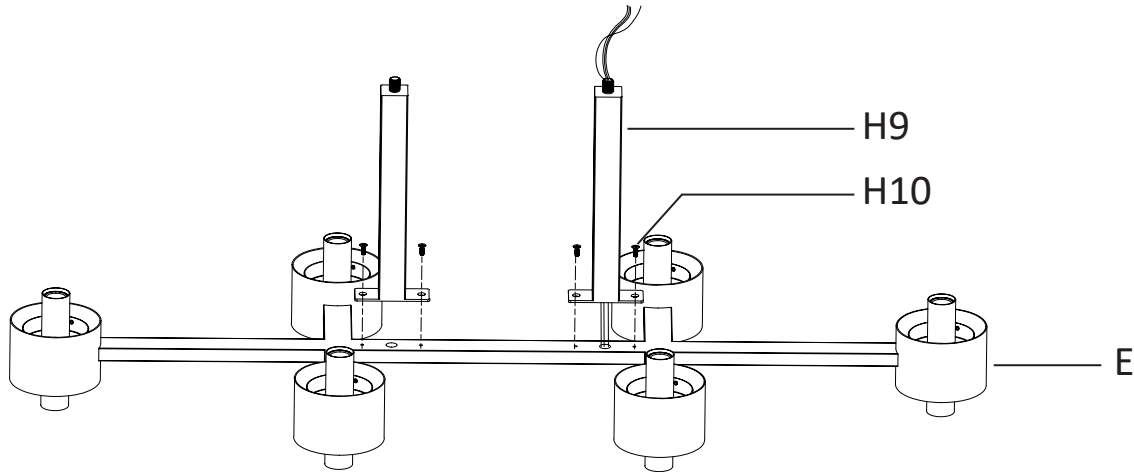
NOTE: This threaded tube (H3) should extend long enough to protrude through the canopy when it is mounted. (Adjust as needed.)



INSTALLATION (continued)

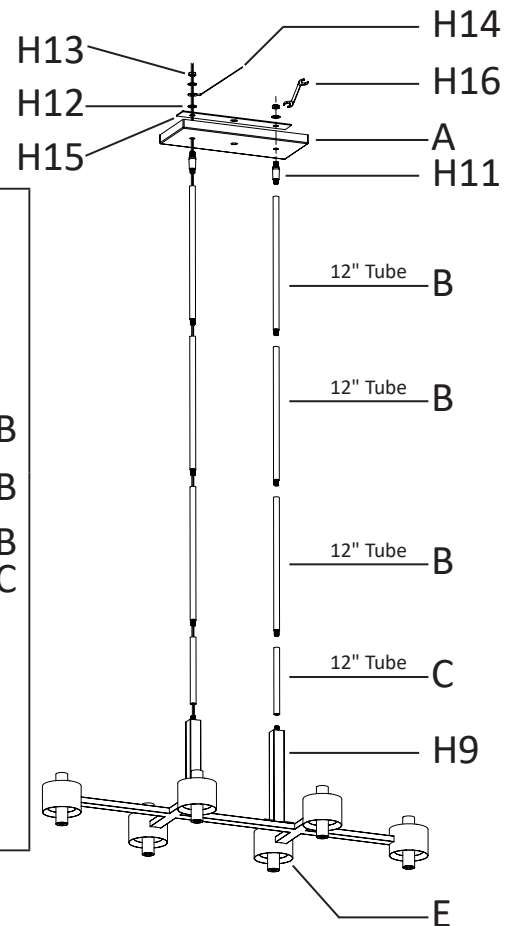
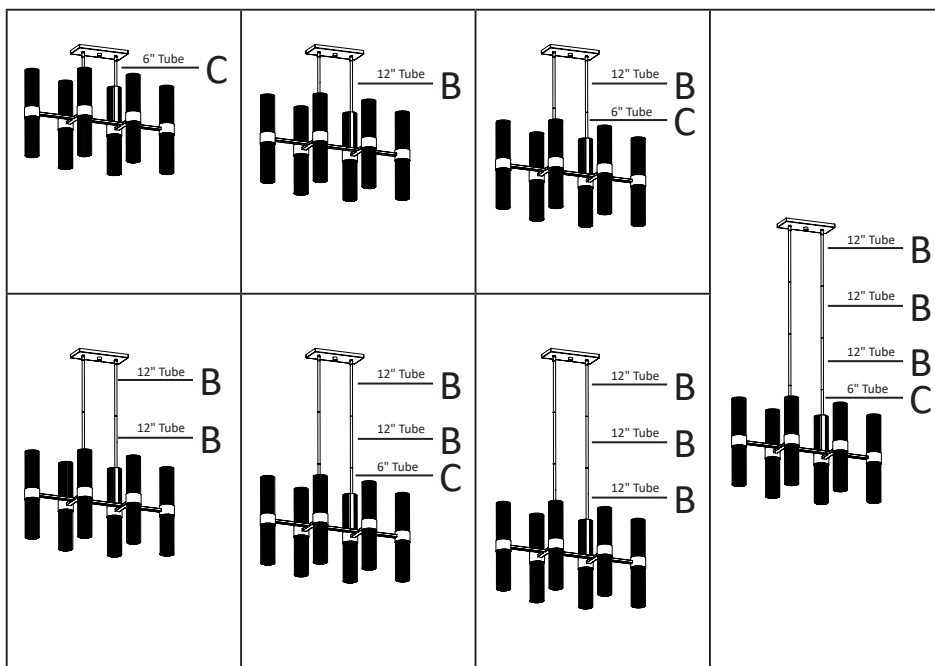
2 Assembling the square tubes

- Guide the fixture wire and the bare copper ground wire through one of the square tube (H9).
- Align the two holes of the square tubes (H9) with the holes in the fixture body (E).
- Secure the square tubes (H9) using the two screws (H10) as shown in the diagram.



3 Assembling the tubes and canopy assembly to the fixture body

- Guide the fixture wire and the bare copper ground wire through the tubes (B, C), and then tighten the tubes onto the fixture body until secured as shown.
- Guide the fixture wire and the bare copper ground wire through the joint (H11), the canopy (A), the metal plate (H15), secure with the star washer (H12), the bare copper ground wire (H14) and the 3/8" hex nut (H13) using the wrench (H16).
- There are six different height options for the user to choose from:

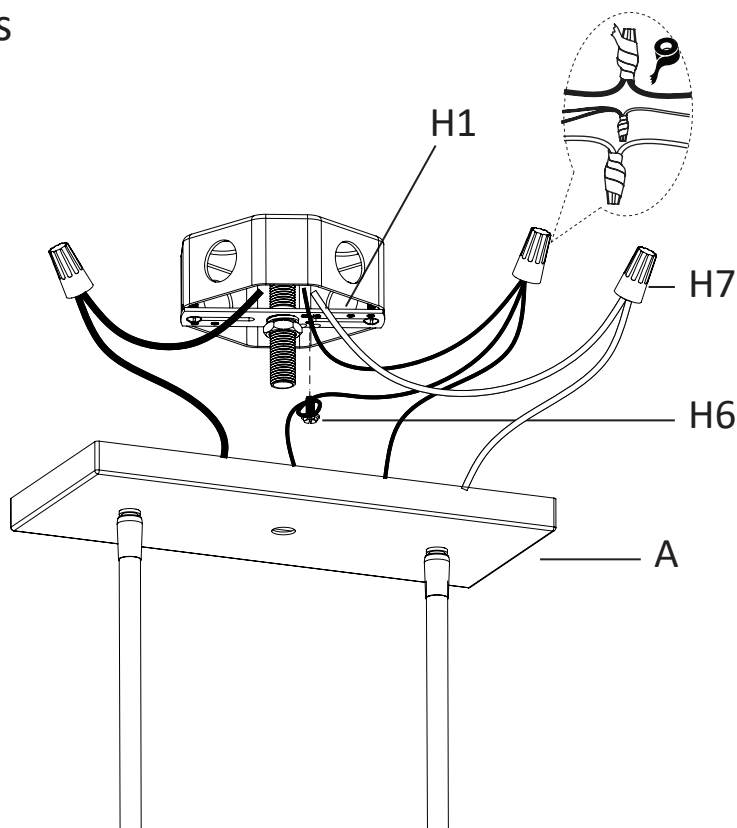


INSTALLATION (continued)

4 Making the electrical connections

- Strip 3/4 in. of insulation from the wire ends.
- Connect the black wire from the fixture to the black wire from the outlet box, and the white wire from the fixture to the white wire from the outlet box.
- Connect the bare copper ground wire from the fixture to the bare copper ground wire (H14) and the ground wire from the outlet box. The bare copper ground wire from the fixture must loop one turn the head of the green screw (H6) on the mounting strip (H1) before it is connected to the ground conductor of the supply circuit.
- Cover the wires with wire connectors (H6). Tape the wire connectors (H6) and wires together, and carefully position all wires inside the outlet box.

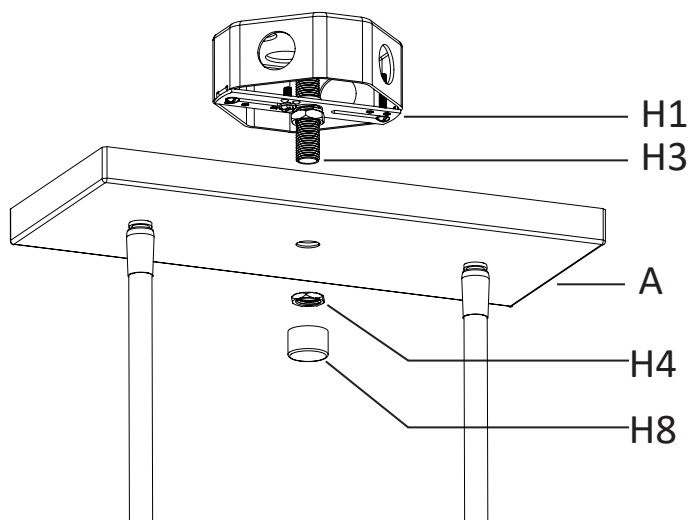
Note: Do not let go of the canopy (A) before the canopy (A) is installed on the mounting strip (H1).



5 Installing the canopy assembly to the outlet box

- Place the canopy (A) over the outlet box, let the threaded tube (H3) come through the holes of the canopy (A), then tighten the thin hex nut (H4) and finial (H8) to the protruding threaded tube (H3) on mounting strip (H1) until the canopy (A) is held firmly against the ceiling.

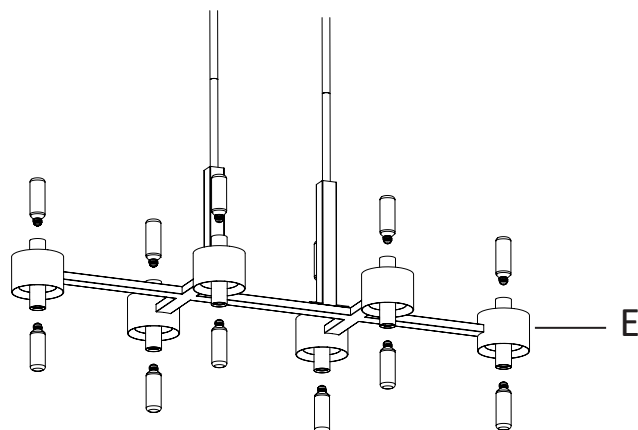
Note: Do not let go of the canopy (A) before the canopy (A) is installed on the mounting strip (H1).



6 Installing the light bulbs

- Install the light bulbs (not included) into the socket. Use twelve **Max 60W candelabra base (E12) type "T"** bulbs (recommended).

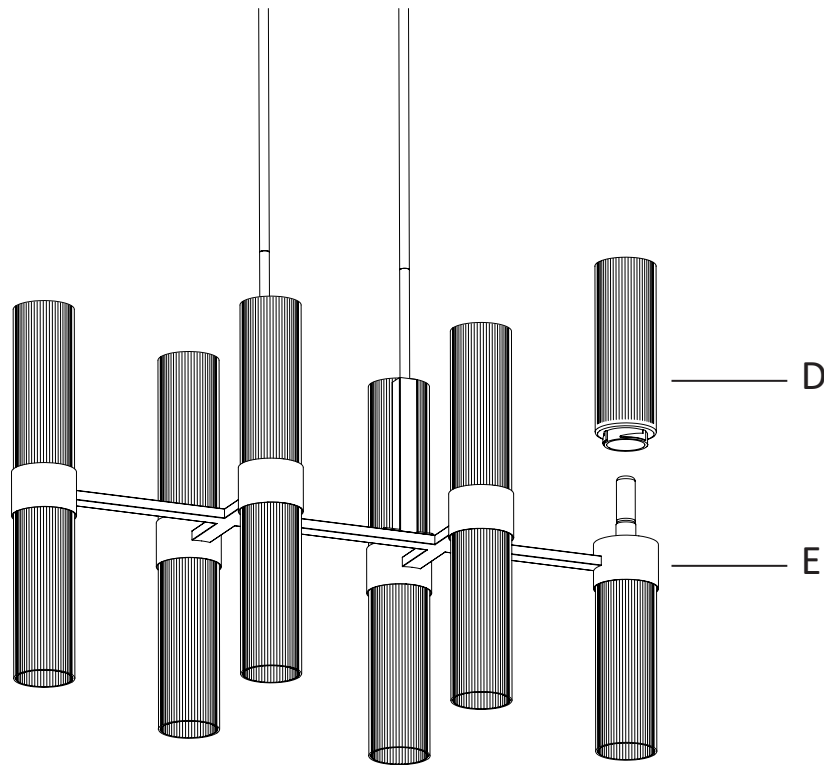
NOTE: You can also use twelve **Max 60W candelabra base (E12) type "B"** bulbs or **MAX 9W candelabra base (E12) self-ballasted LED** bulbs. Do not exceed the recommended wattage.



INSTALLATION (continued)

7 Assembling the glass shades to lamp

- Insert each glass shade (D) into the socket holder on the fixture body (E). Rotate the glass shade (D) clockwise to lock it into place, and ensure all the glass shades (D) are securely fastened as shown.



CLEANING

- Do not use any cleaners with chemicals, solvents, or harsh abrasives. Use only a dry, soft cloth to dust or wipe carefully.
- To clean the fixture, disconnect the power by turning off the circuit breaker or by removing the fuse at the fuse box. Use a dry or slightly dampened, clean cloth to wipe the exterior surface of the fixture.

TROUBLESHOOTING

- The light does not come on at all:
 - a) Check whether the bulbs were burned out.
 - b) Make sure the wall switch and circuit breaker are on.
 - c) Make sure the wiring is correct.
 - d) Make sure the circuit breaker is set in the "ON" position.
- Fuse blows or circuit trips when light is turned on.
 - a) Check for crossed wires, ensure wiring is correct.