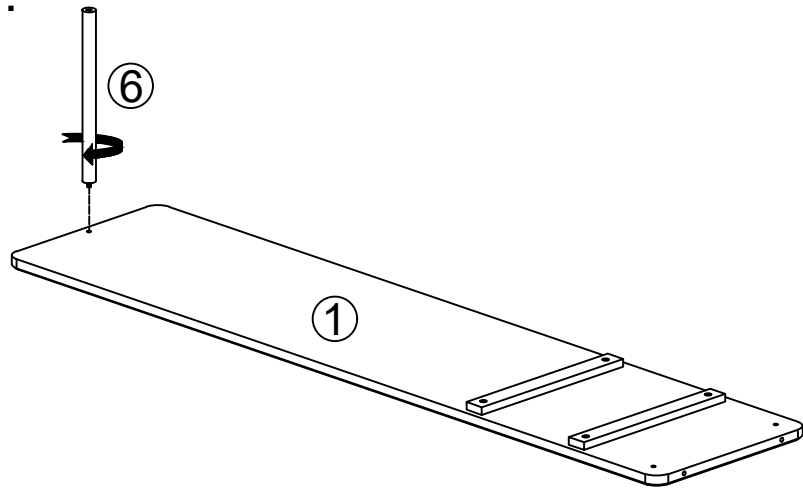
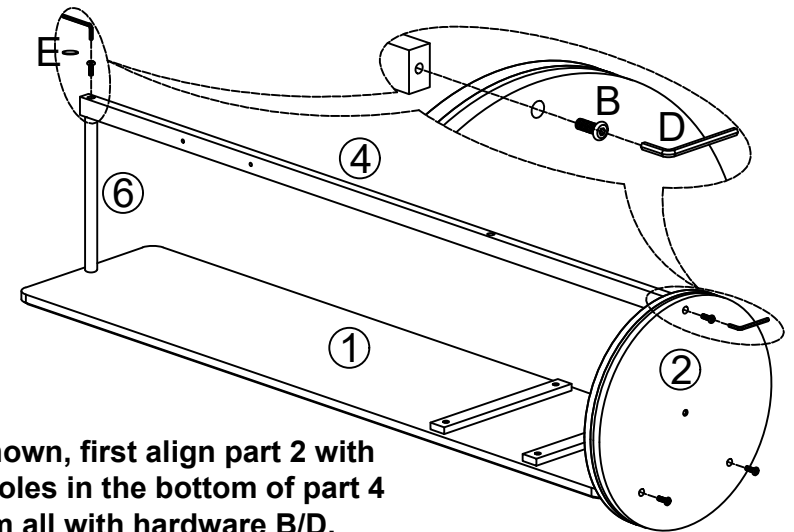


**Step 1:**



**Caution:** After unpacking, check the correct number of accessories against the instructions.  
Assemble as shown, first twist part 7 clockwise onto part 1.

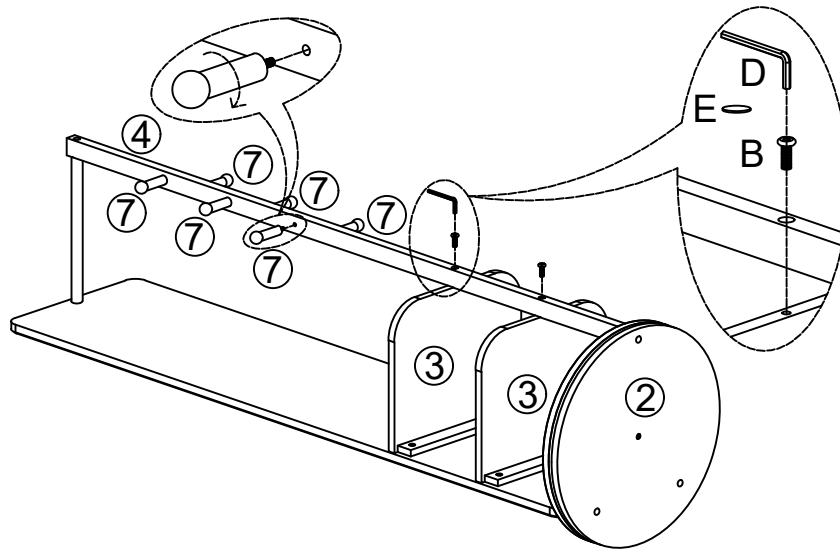
**Step 2:**



Assemble as shown, first align part 2 with part 1 and the holes in the bottom of part 4 and secure them all with hardware B/D.

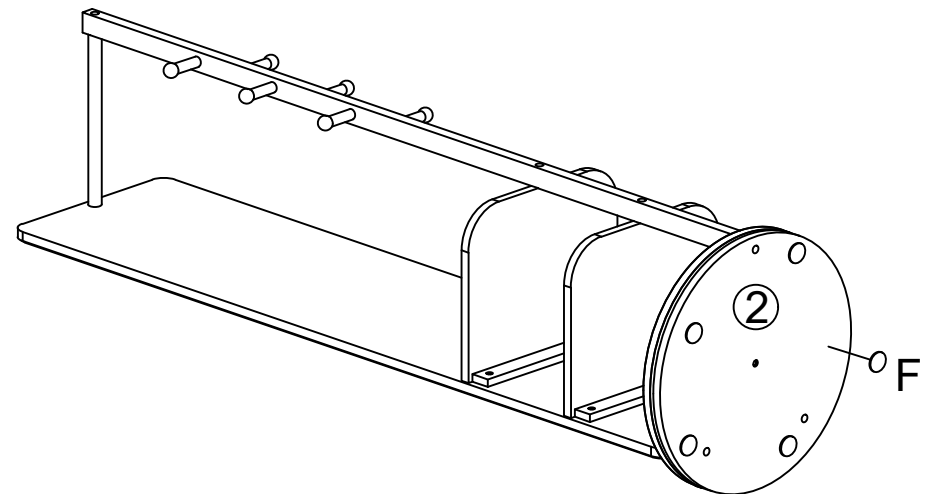
Then align the holes and slots of part 4 with part 7 and fix them with hardware B/D, then cover the holes with hardware E.

**Step 3:**



Assemble as shown, first lay part 3 flat to the designated position, align the holes on the end face of part 3 with hardware B/D, and then cover the holes with hardware E.  
Then twist part 8 in clockwise direction to the top of part 4.

**Step 4:**



Assemble as shown, attaching accessory F to the bottom of the base.

**Step 5:**

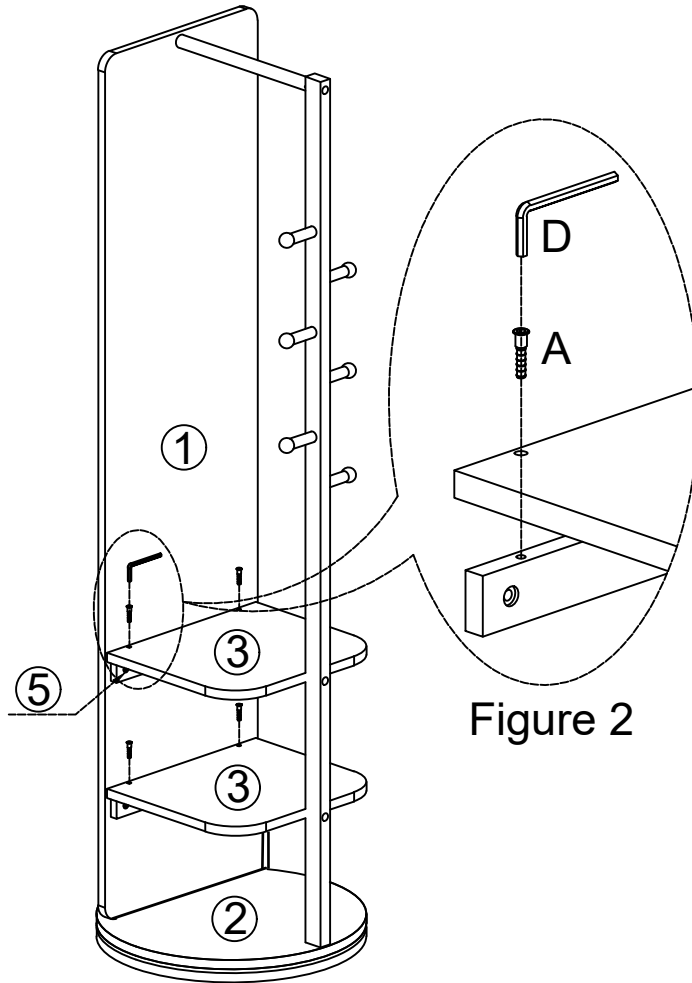
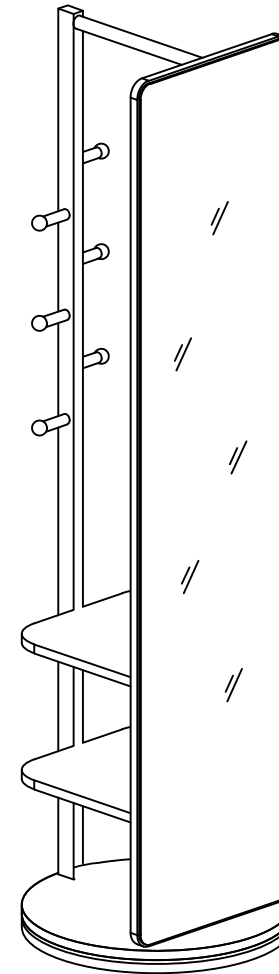


Figure 2

**Assemble part 3 on top of part 5 with hardware A/D as in figure 2.**

**Step 6:**



**Assembly complete.**