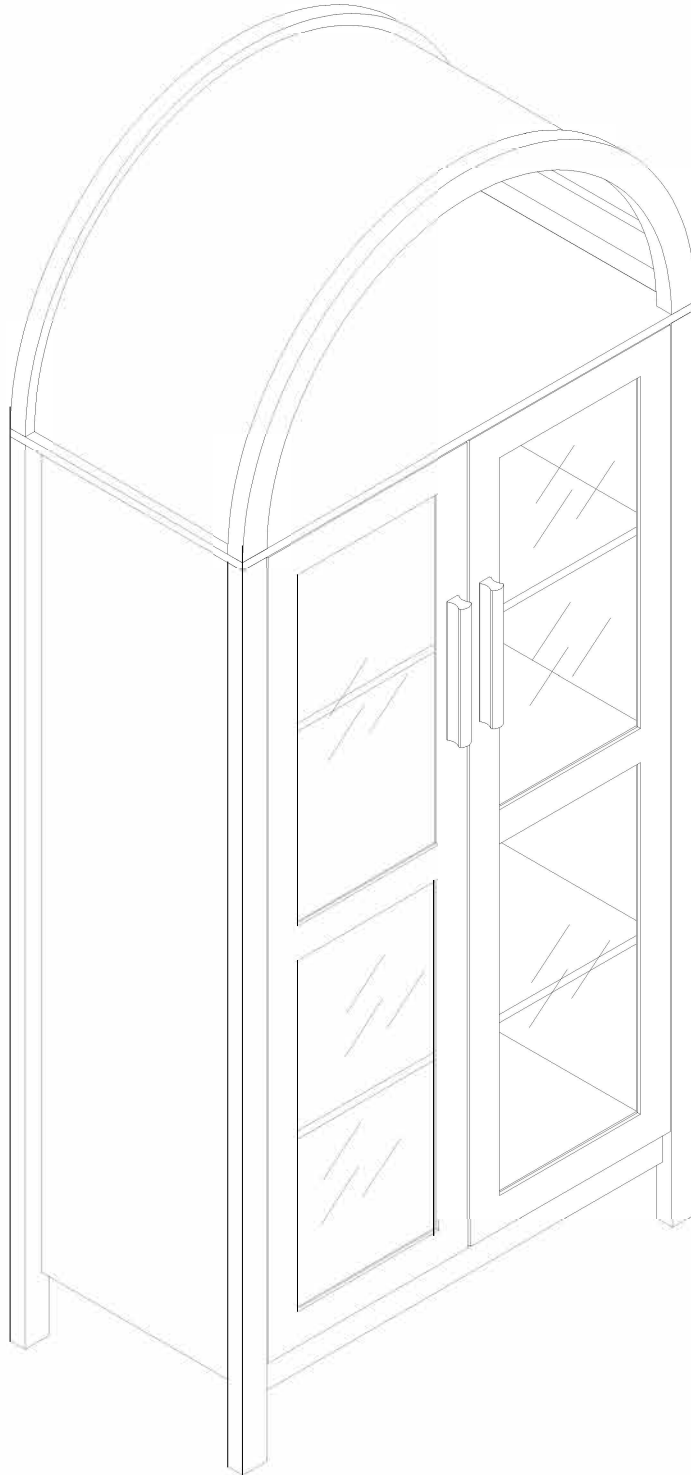


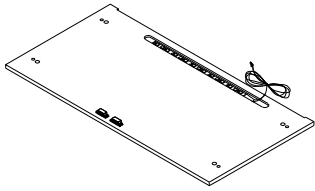
# ASSEMBLY INSTRUCTION



**Install all screws according to the instructions,  
and then tighten them completely.**

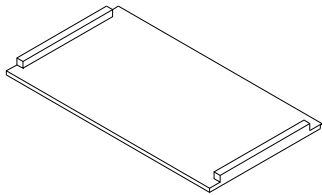
# ASSEMBLY INSTRUCTION

1X



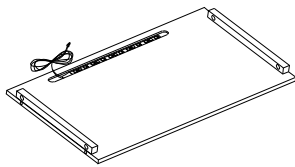
# 1

1X



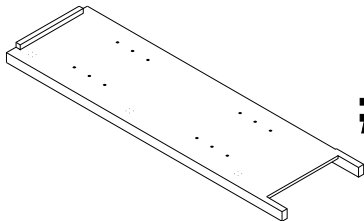
# 2

1X



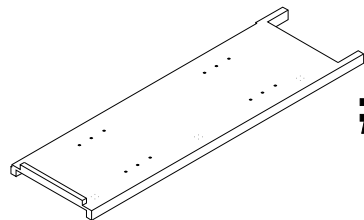
# 3

1X



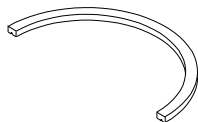
# 4

1X



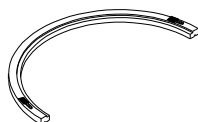
# 5

1X



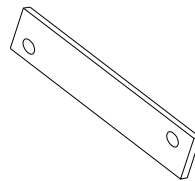
# 6

1X



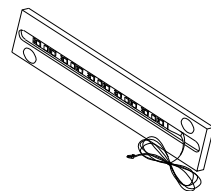
# 7

2X



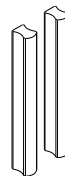
# 8

1X



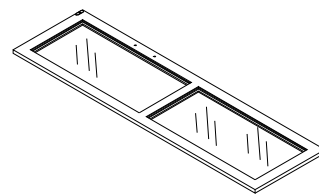
# 9

2X



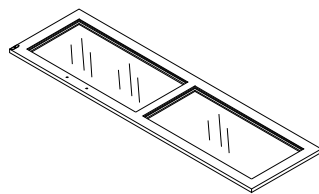
# 10

1X



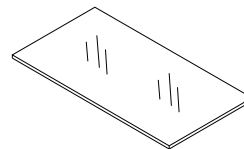
#11

1X



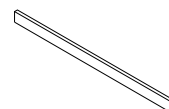
#12

2X



#13

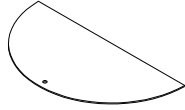
1X



# 14

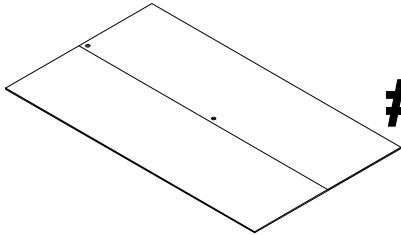
# ASSEMBLY INSTRUCTION

1X



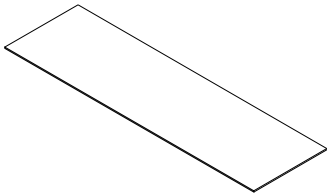
# 15

1X



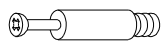
# 16

1X



# 17

13X



A

13X



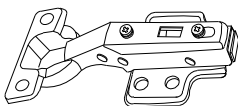
B

20X



C

6X



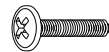
D

36X



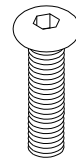
E

25X



F

12X



G

12X



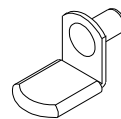
H

12X



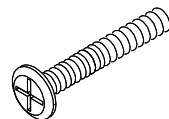
I

8X



J

4X



K

# ASSEMBLY INSTRUCTION

1X



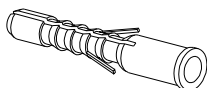
L

1X



M

1X



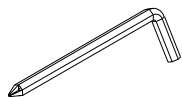
N

1X



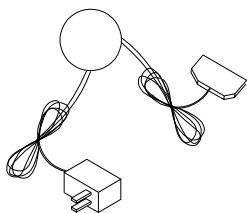
O

1X



P

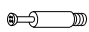


1X

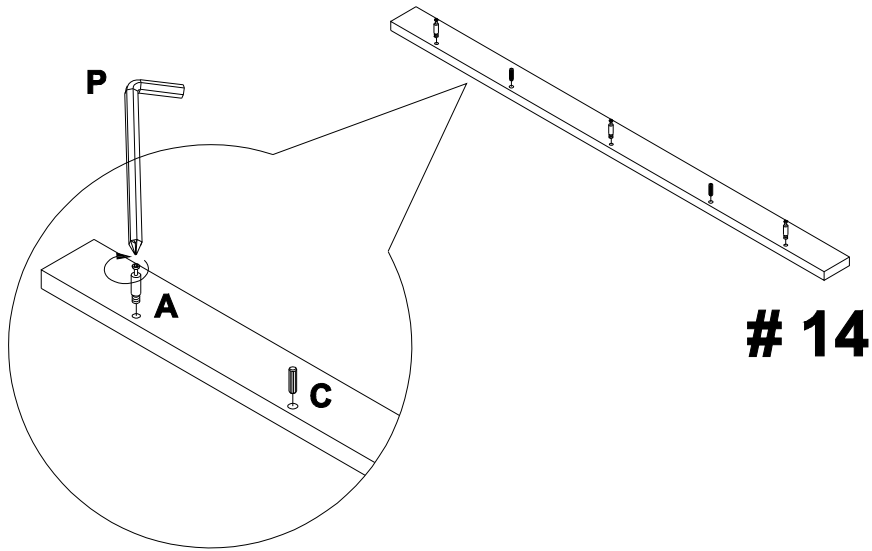


Q

# 1



## ASSEMBLY INSTRUCTION

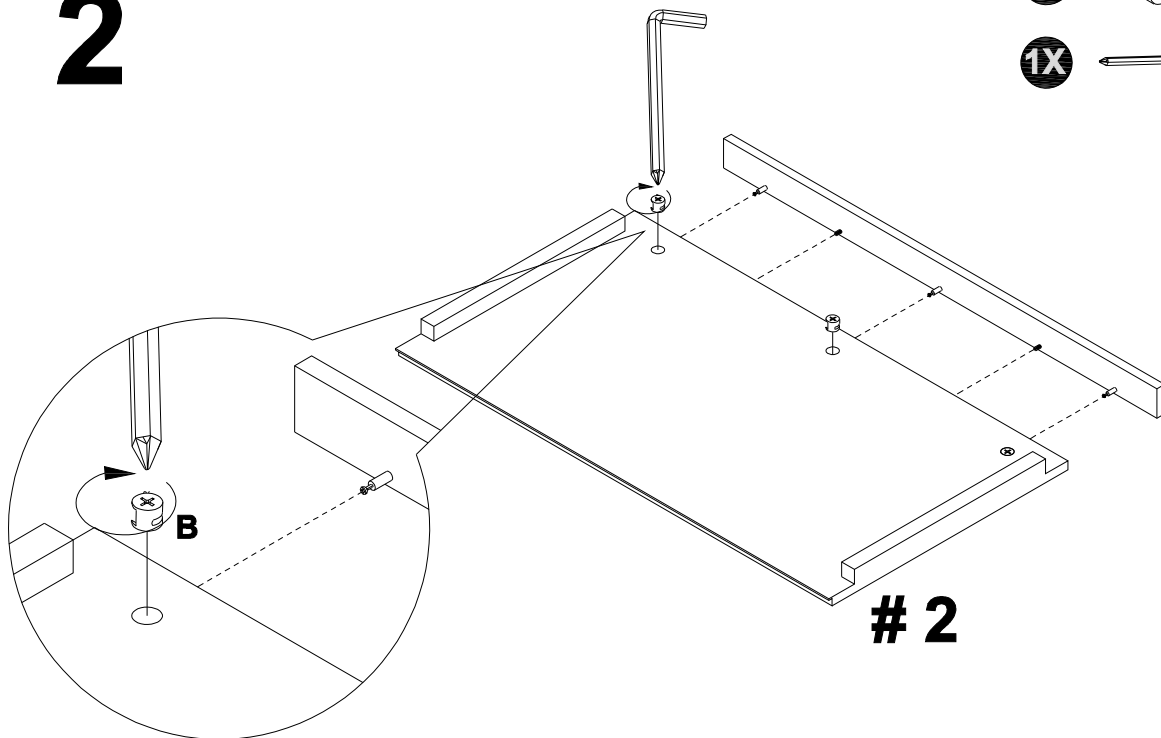
- 3X**  **A**
- 2X**  **C**
- 1X**  **P**



### # 14

# 2

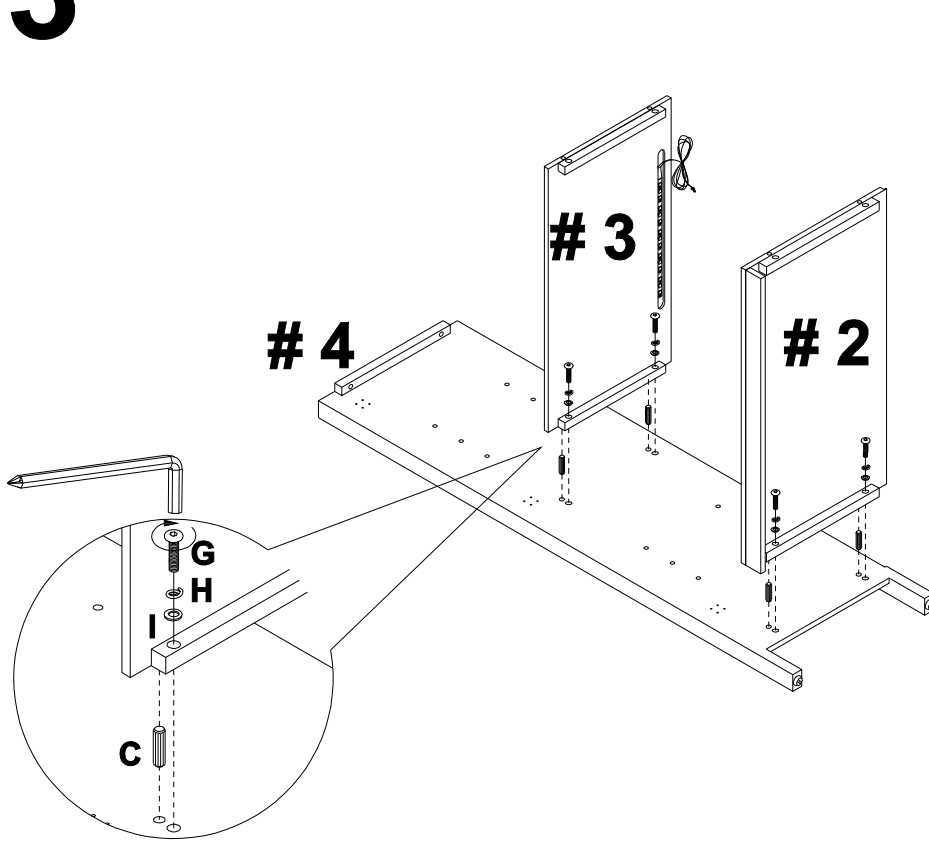
- 3X**  **B**
- 1X**  **P**








### # 2

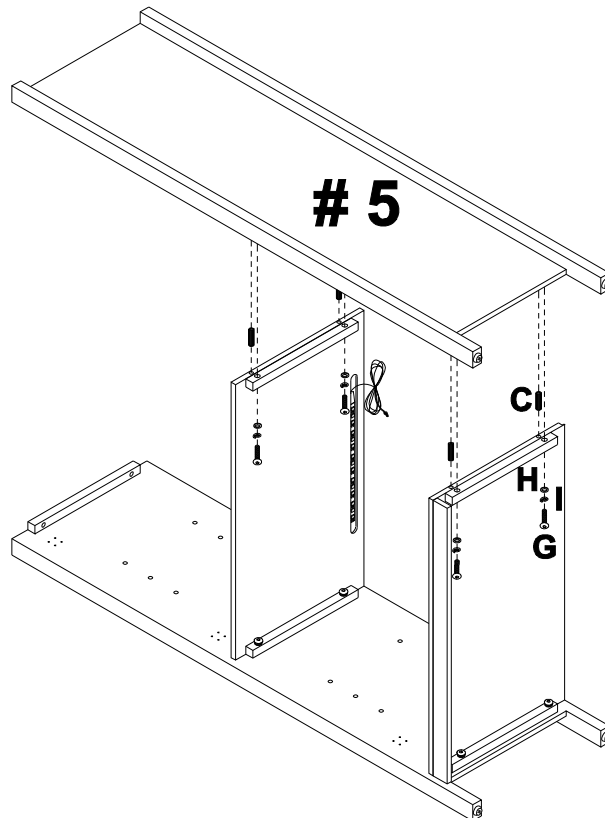
# 3






## ASSEMBLY INSTRUCTION



- 4X  C
- 4X  G
- 4X  H
- 4X  I
- 1X  P

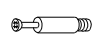
# 4



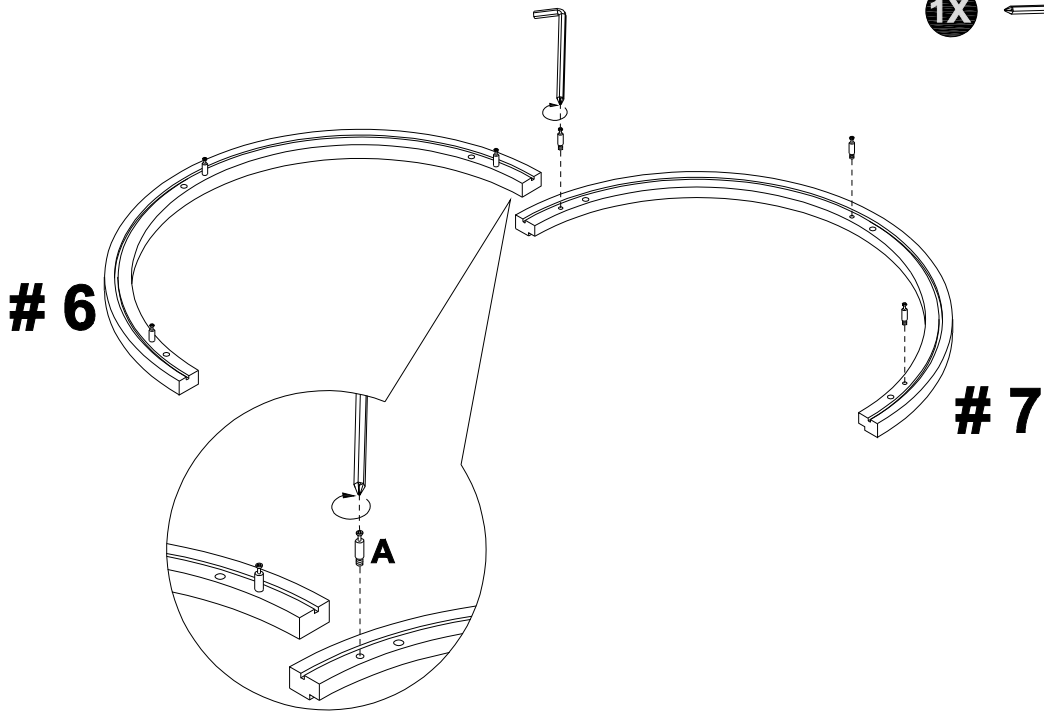
- 4X  C
- 4X  G
- 4X  H
- 4X  I
- 1X  P

# 5

## ASSEMBLY INSTRUCTION

6X  A

1X  P

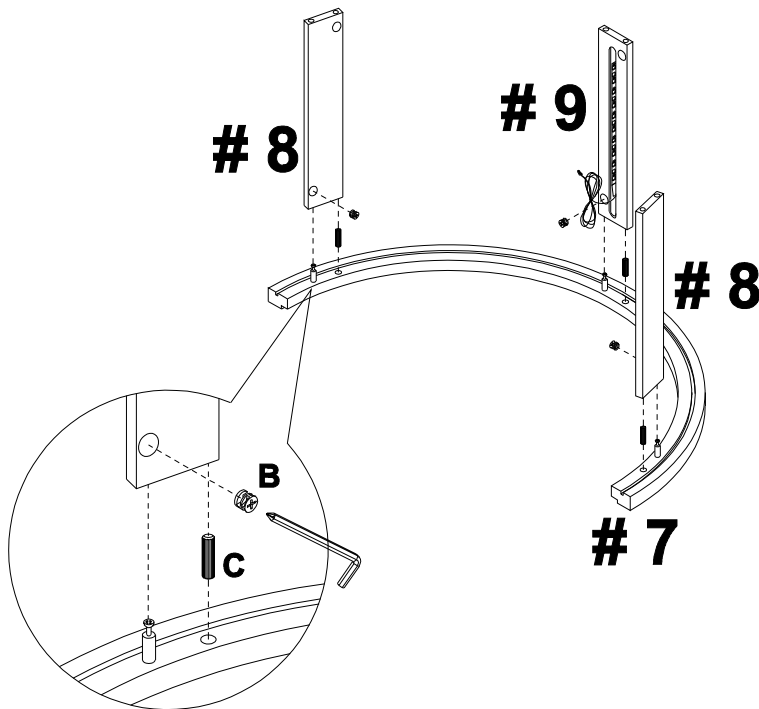


# 6

10X  B

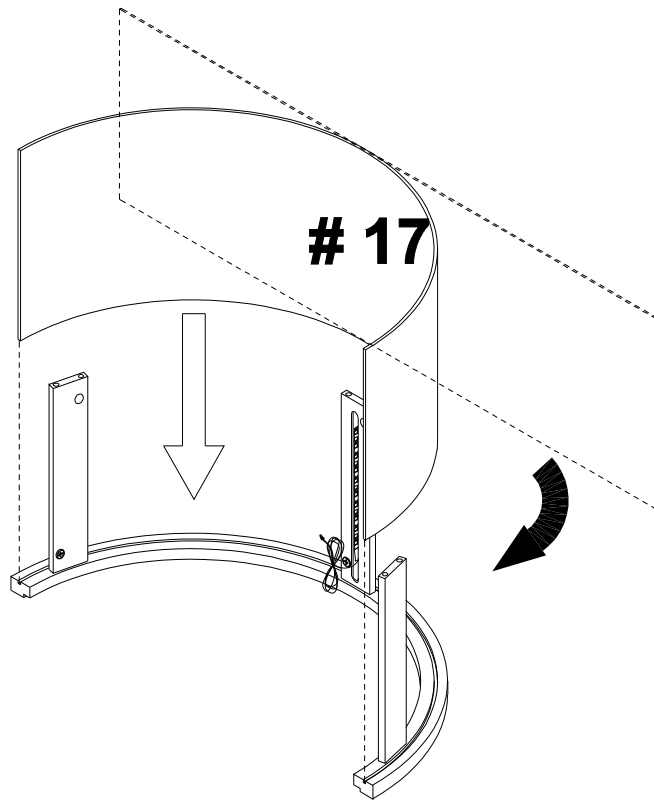
10X  C

1X  P



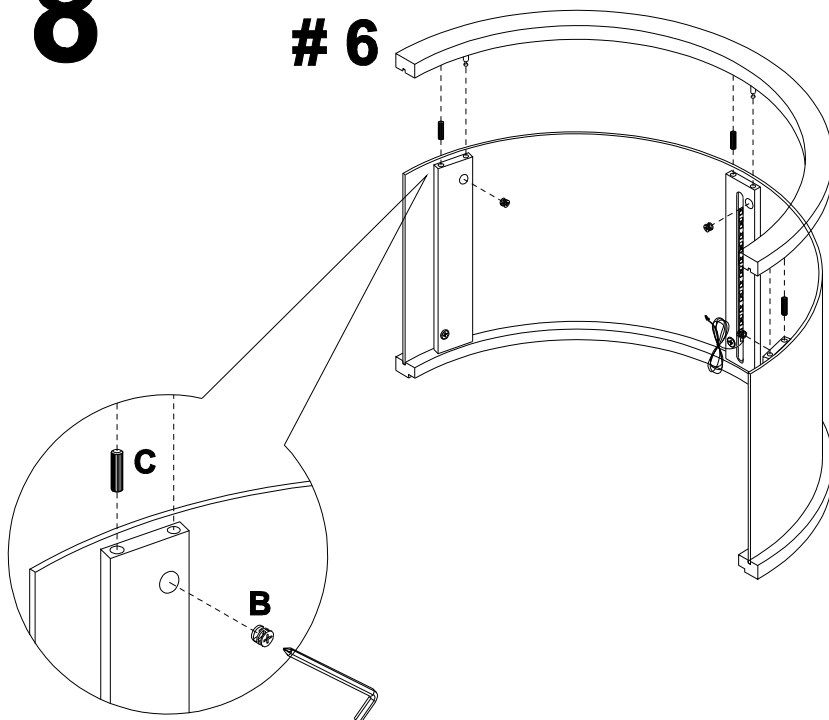
# 7

## ASSEMBLY INSTRUCTION



# 8

## # 6



3X



B

3X



C

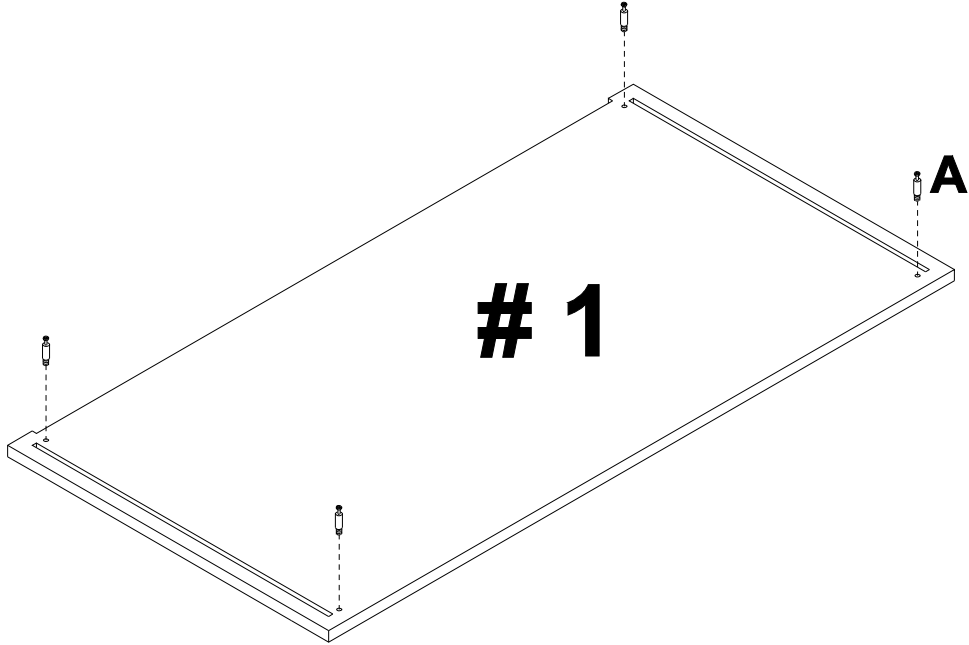
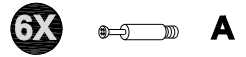
1X



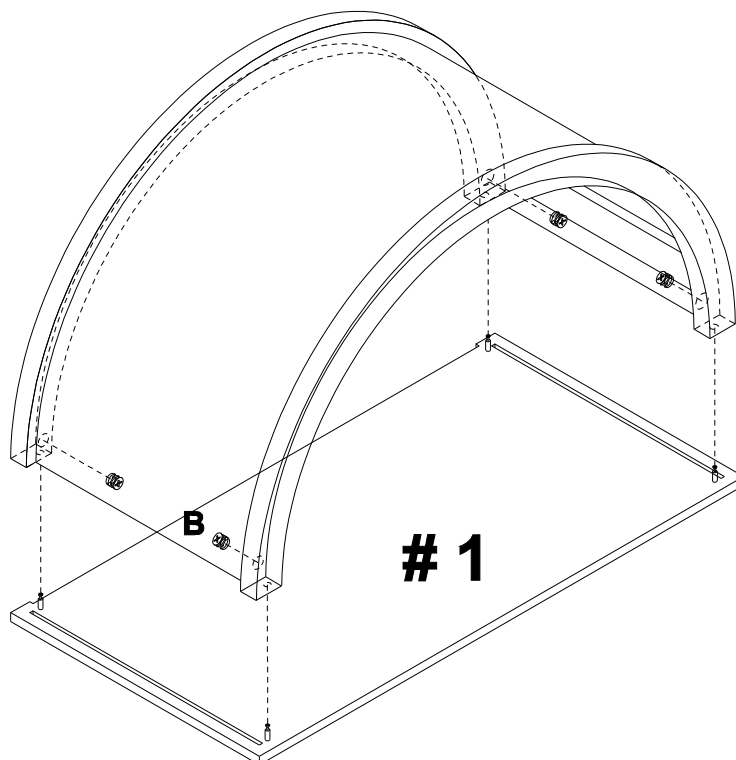
P

# 9

## ASSEMBLY INSTRUCTION

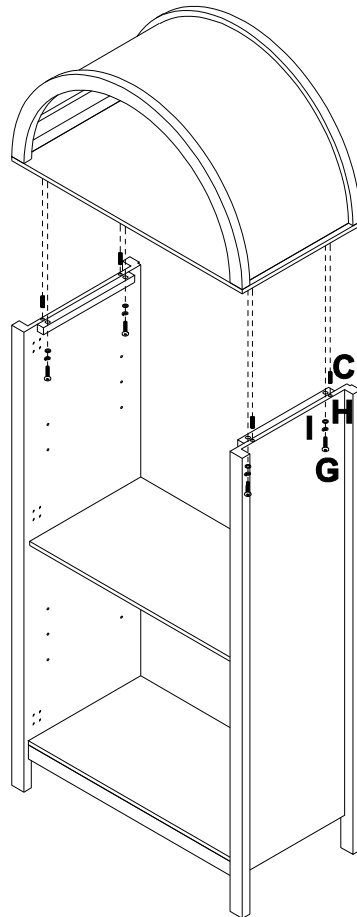







# 10



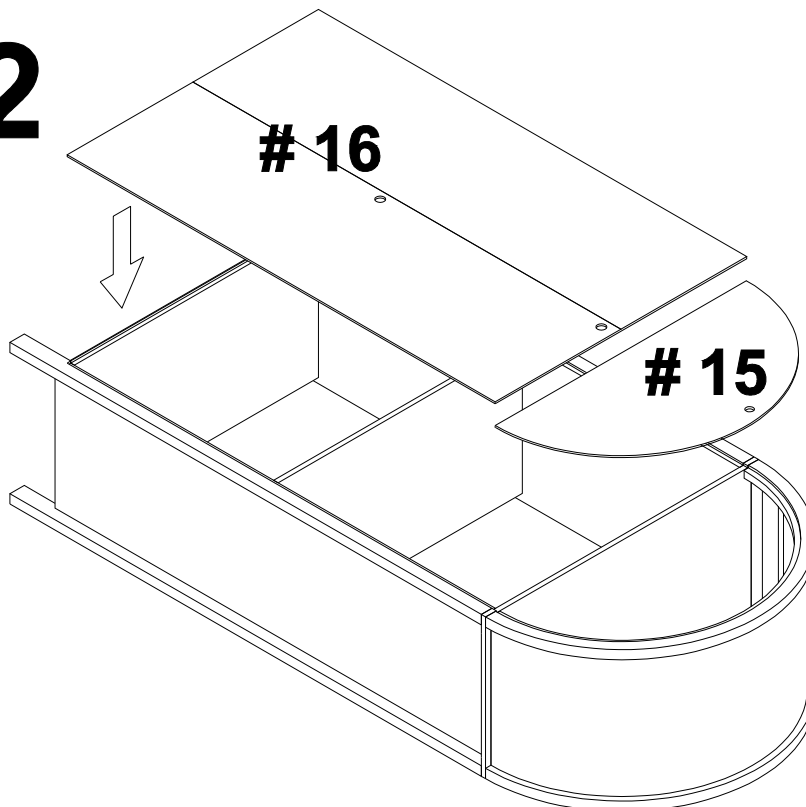
# 11

## ASSEMBLY INSTRUCTION







- 4X  C
- 4X  G
- 4X  H
- 4X  I
- 1X  P

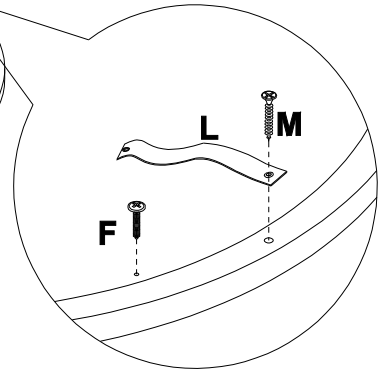
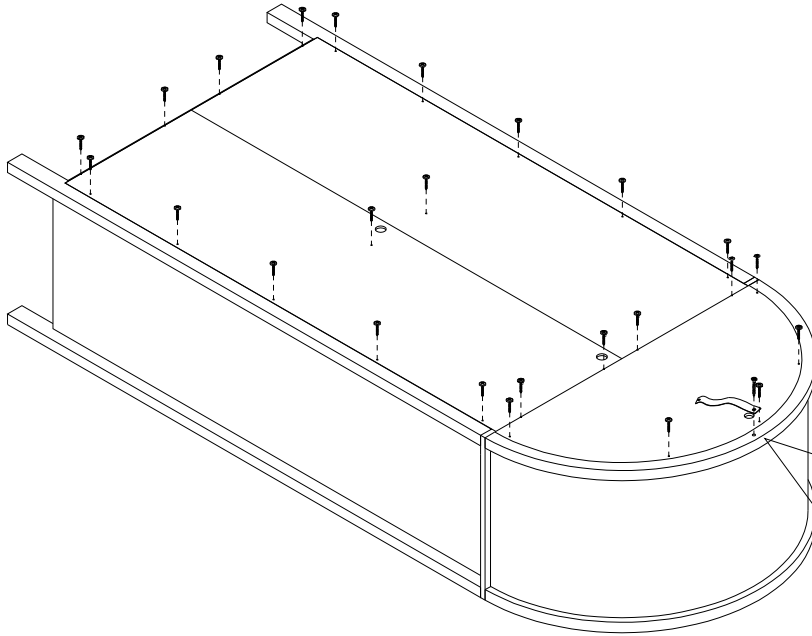
# 12



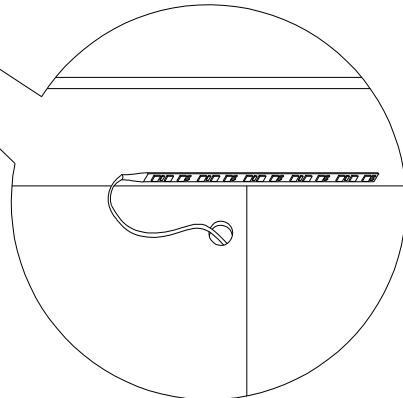
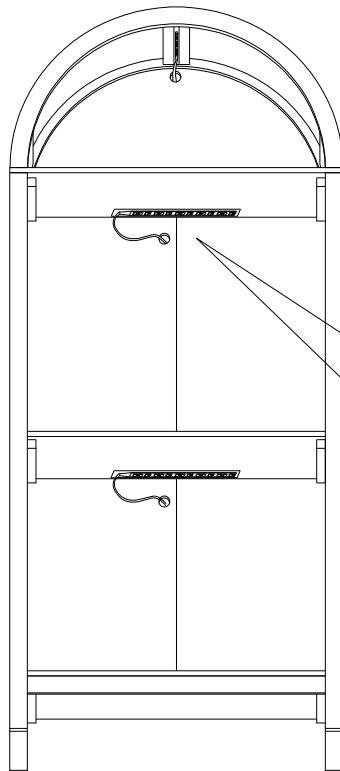
# 13

## ASSEMBLY INSTRUCTION

- 25X**  **F**
- 1X**  **L**
- 1X**  **M**
- 1X**  **P**



# 14



# ASSEMBLY INSTRUCTION

## Easy-Peel & Stick Installation

Just peel off the backing and press firmly onto any clean, dry surface—no glue needed.

## Install Smart

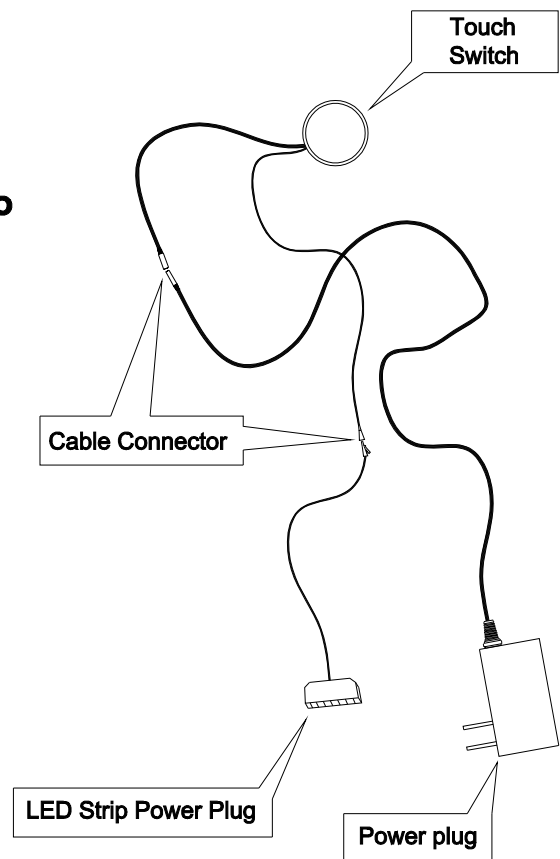
-Stick it anywhere within easy reach for smooth, hassle-free operation.

## Safety First

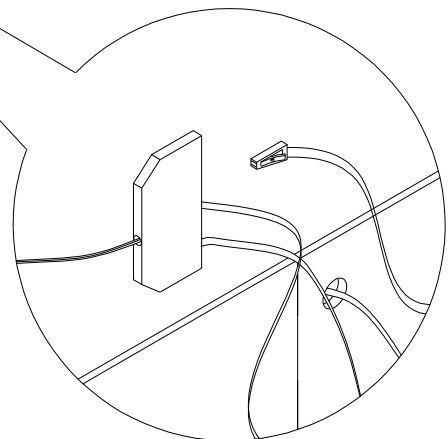
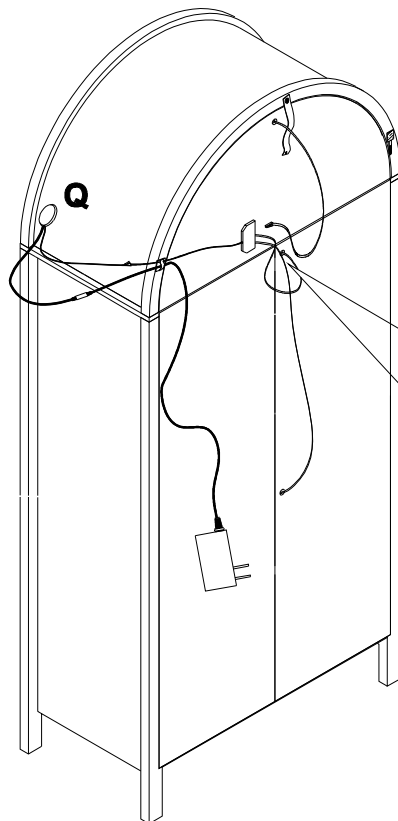
-Keep loose cords tidy and out of reach of kids and pets to prevent chewing or tugging.

## Built-In Cord Organizer

-Includes a Velcro strap to neatly gather and secure extra wire—no messy tangles!



# 15



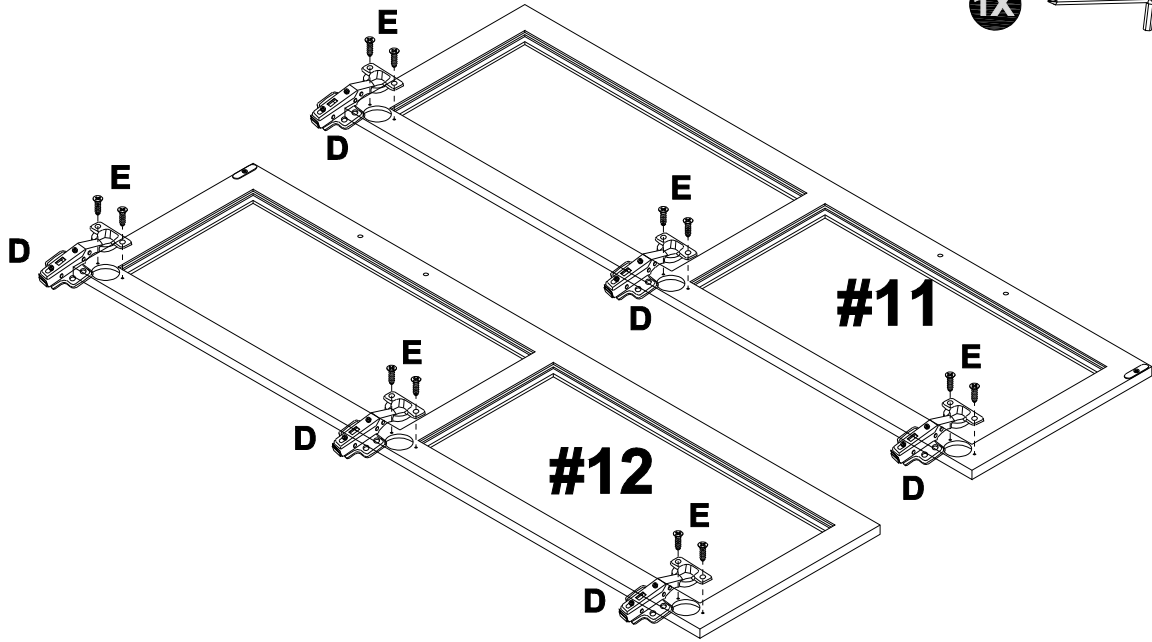
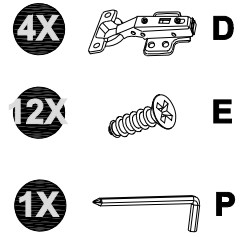
1X



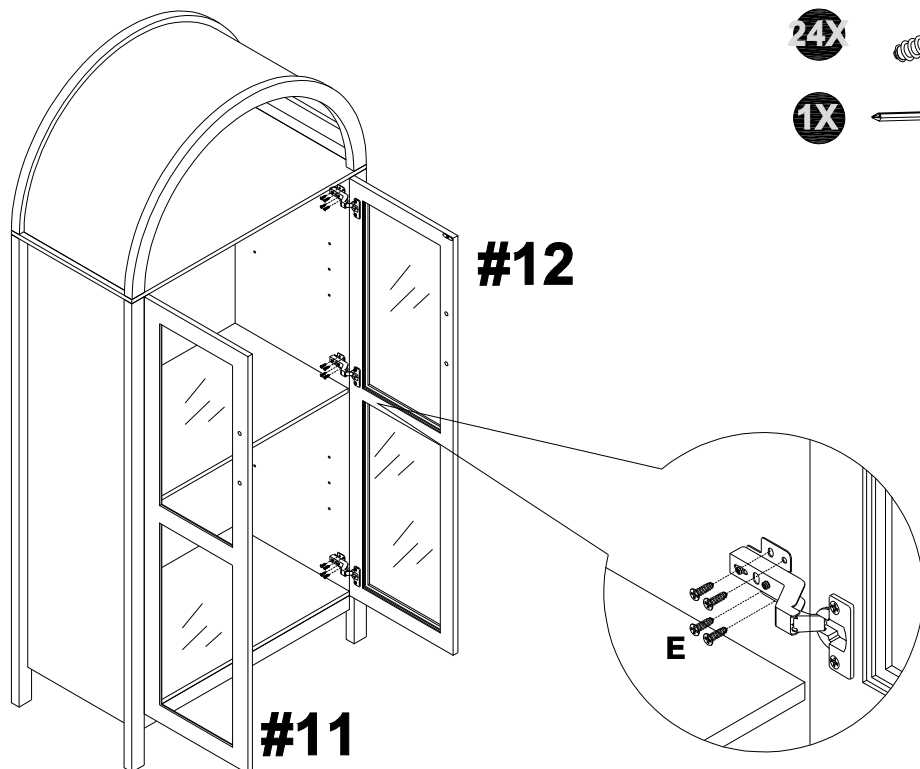
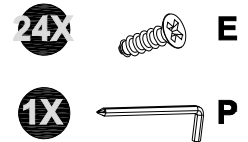
Q

# 16

## ASSEMBLY INSTRUCTION



# 17



# 18

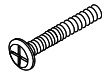
## ASSEMBLY INSTRUCTION

8X

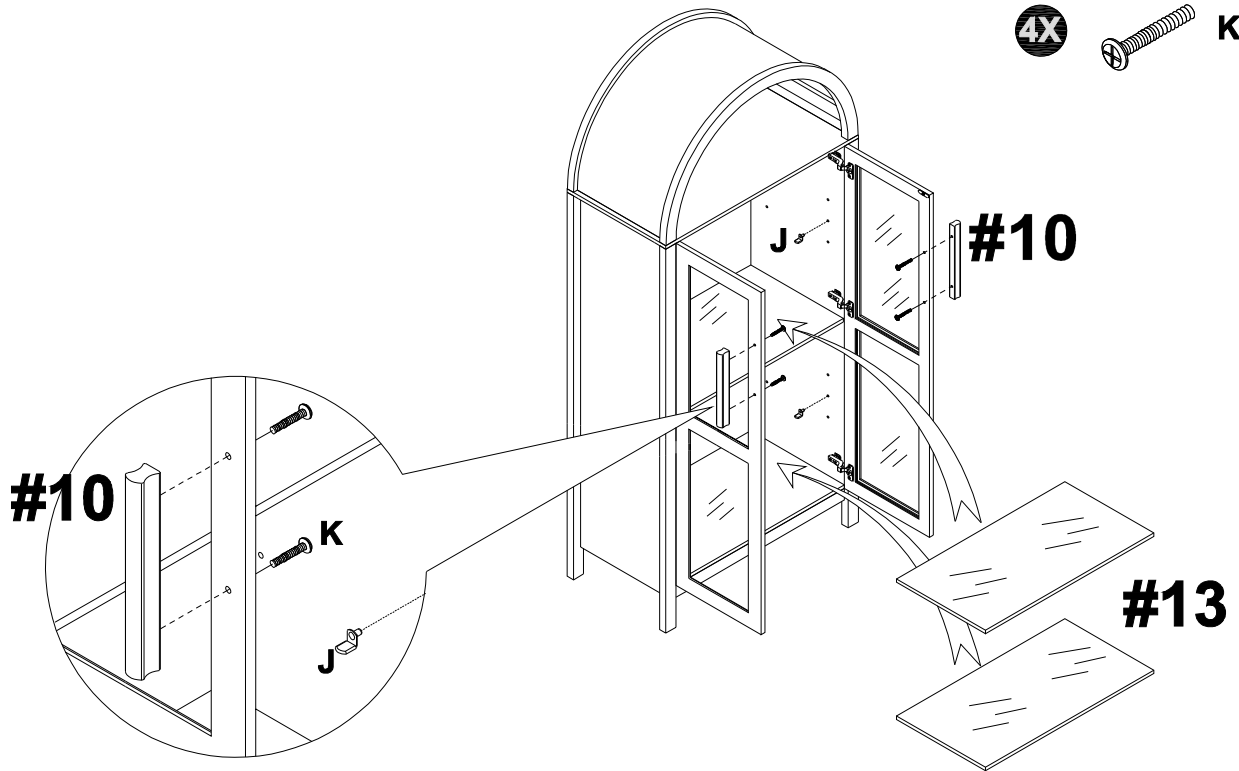


J

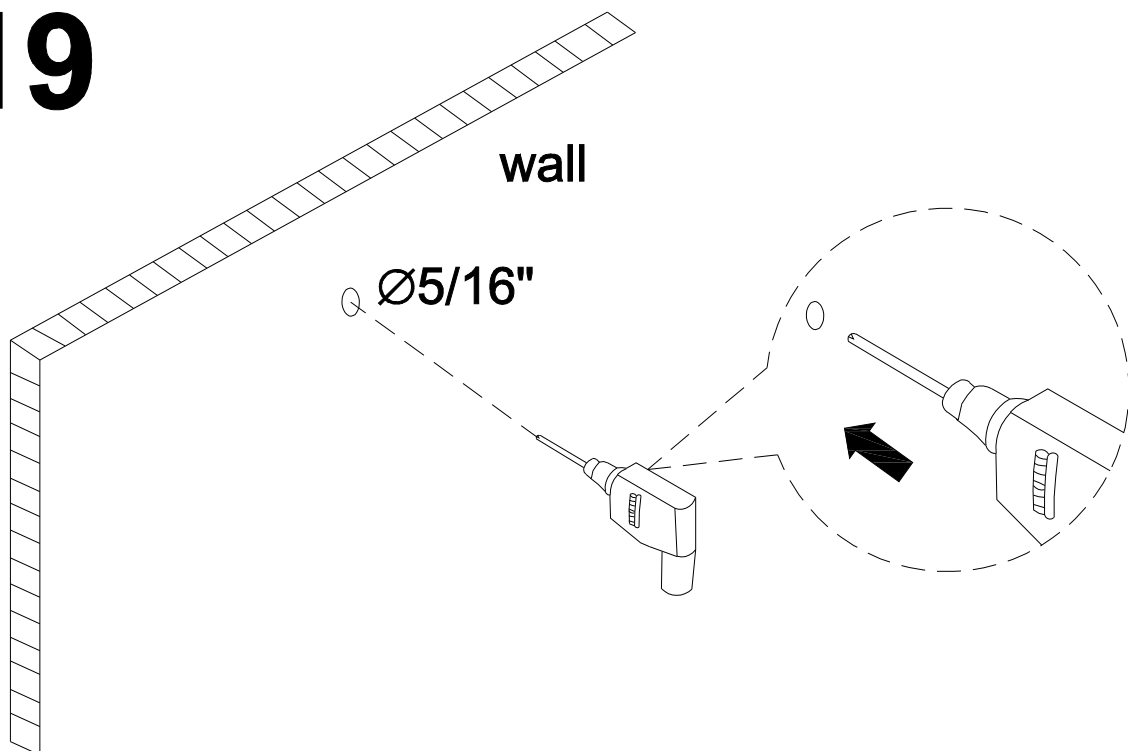
4X



K



# 19



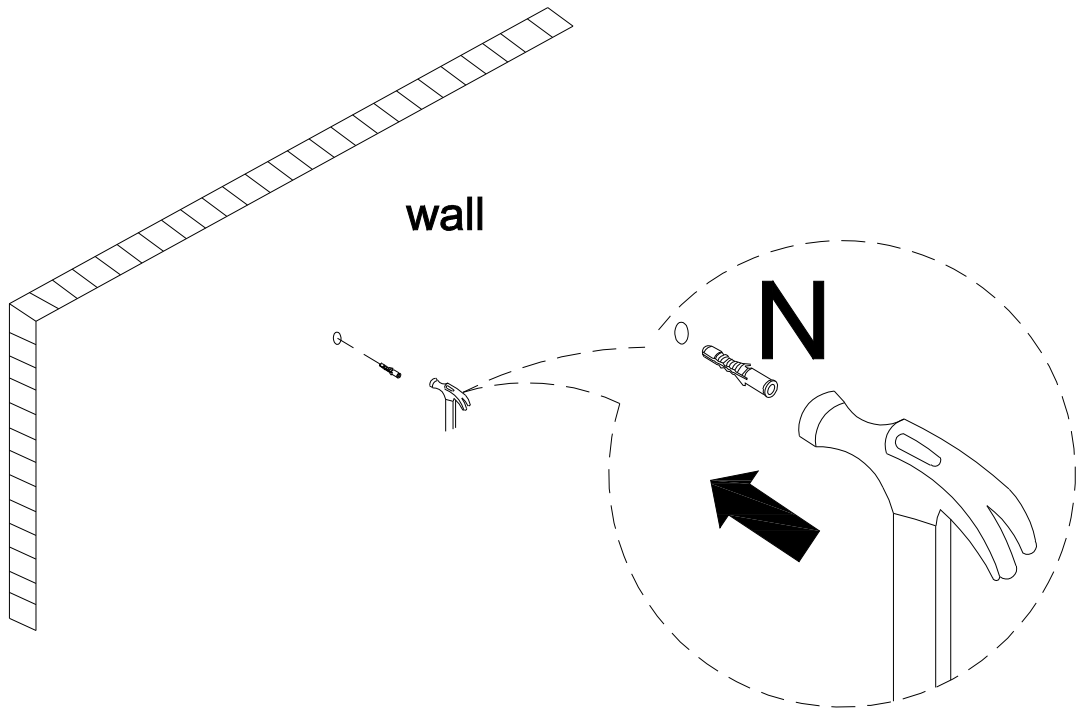
# 20

## ASSEMBLY INSTRUCTION

1X



N



# 21

## ASSEMBLY INSTRUCTION

1x



o

wall

