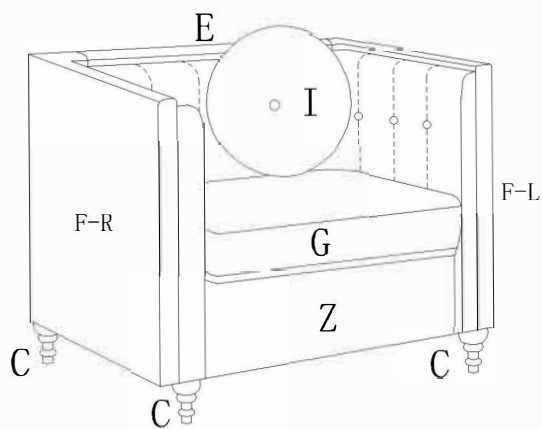


ASSEMBLY INSTRUCTIONS



A: Allen Key
1PC



B: Beit
4PCS



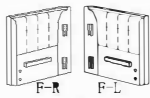
C: Leg
4PCS



D: Shim
4PCS



E: Backrest
1PC



F: Arm
2PCS



G: Seat Cushion
1PCS



H: Seat Board
1PCS

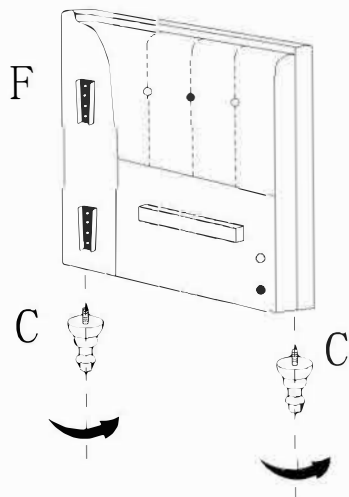


T: Pillow
1PCS

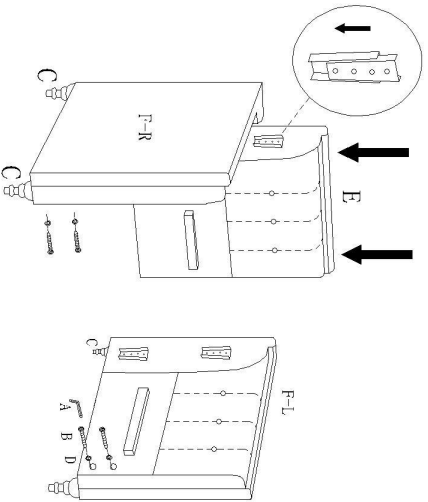


Z: Front Board
1PCS

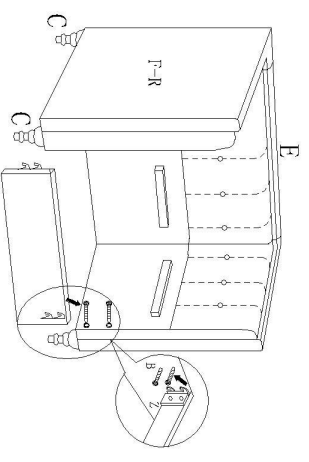
STEP1



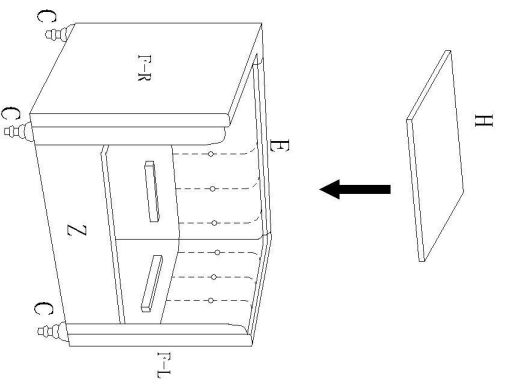
STEP2



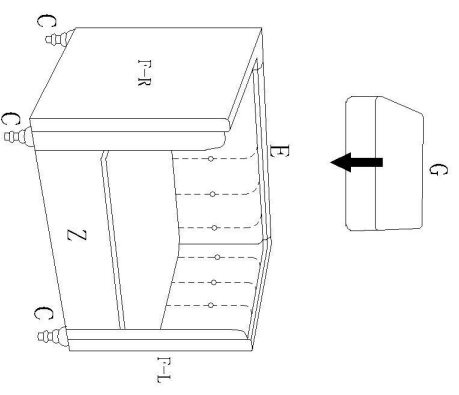
STEP3



STEP4



STEP5



STEP6

