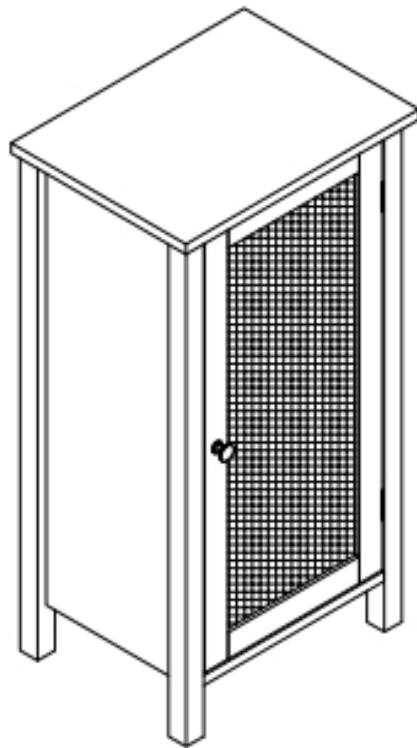
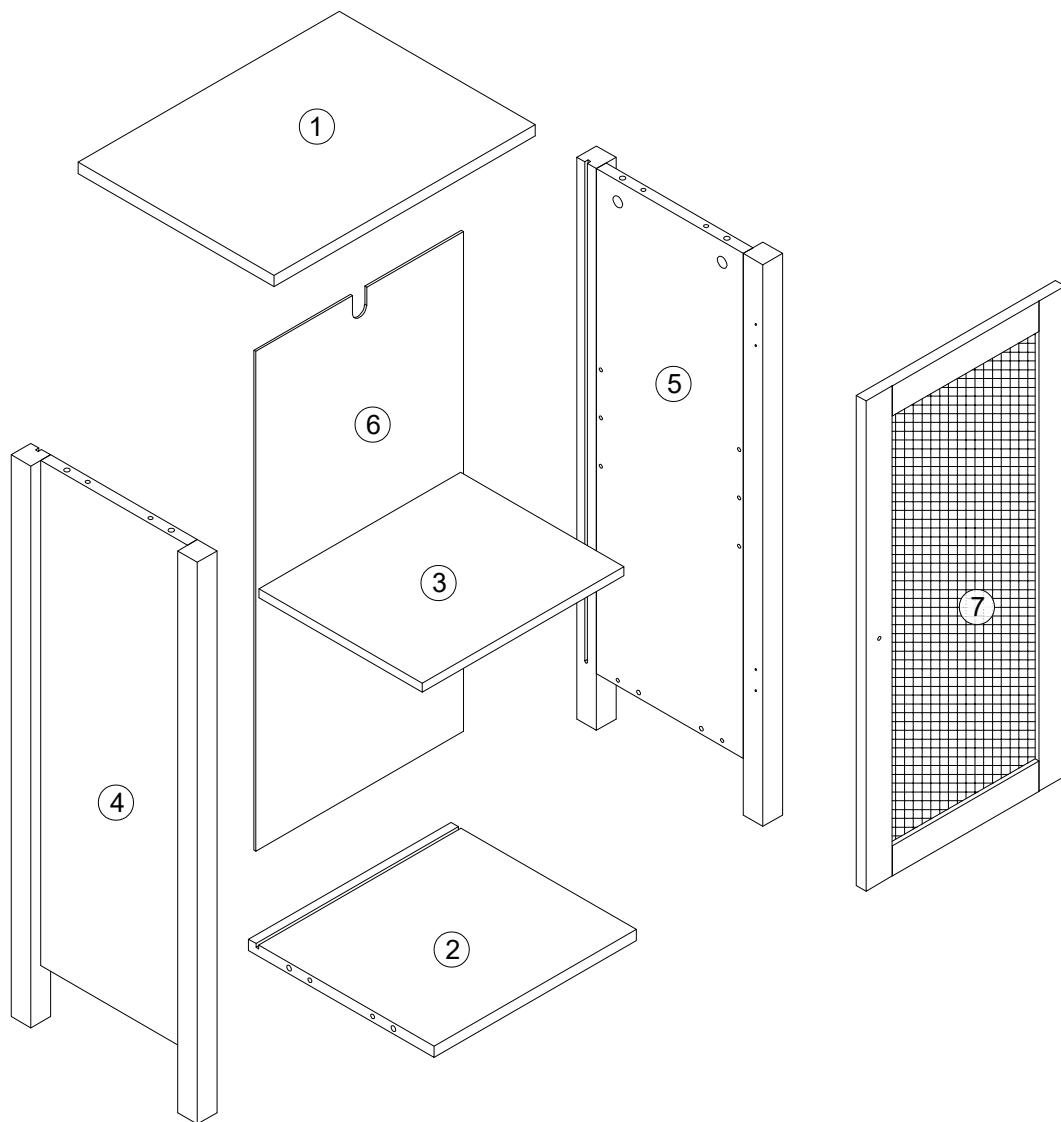








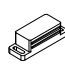









# Cabinet





 Ax8	 Bx8	 Cx8 6x30mm	 Dx9 3x12mm	 Ex8 3x14mm	 Fx1 4x16mm	 Gx1
 Hx2	 lx1	 Jx1	 Kx4	 Lx6	 Mx1 4x12mm	 Nx1 4x35mm
 Ox1	 Px1					

# STEP 1



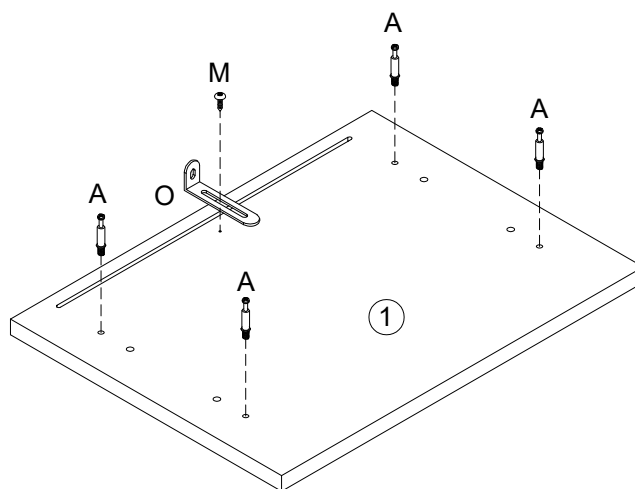
Ax4



Mx1  
4x12mm



Ox1



# STEP 2



Dx5  
3x12mm



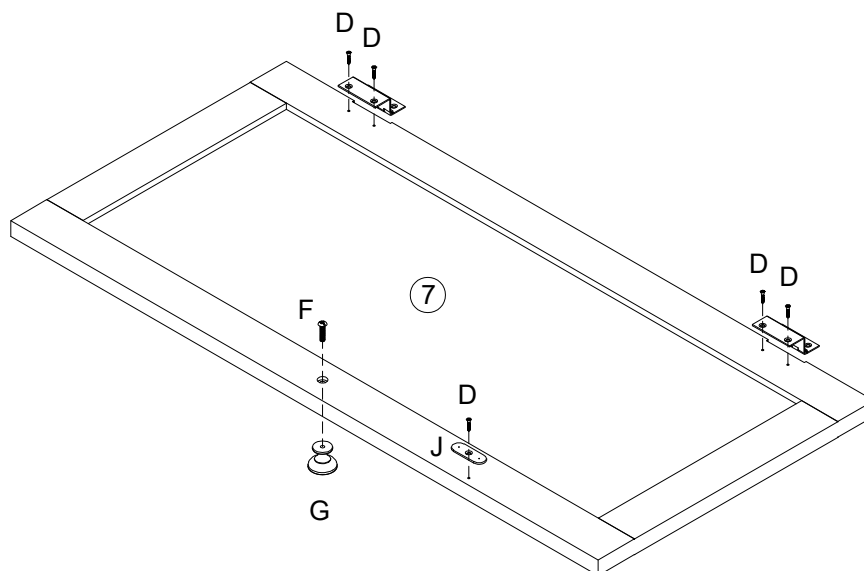
Fx1  
4x16mm





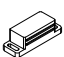
Gx1

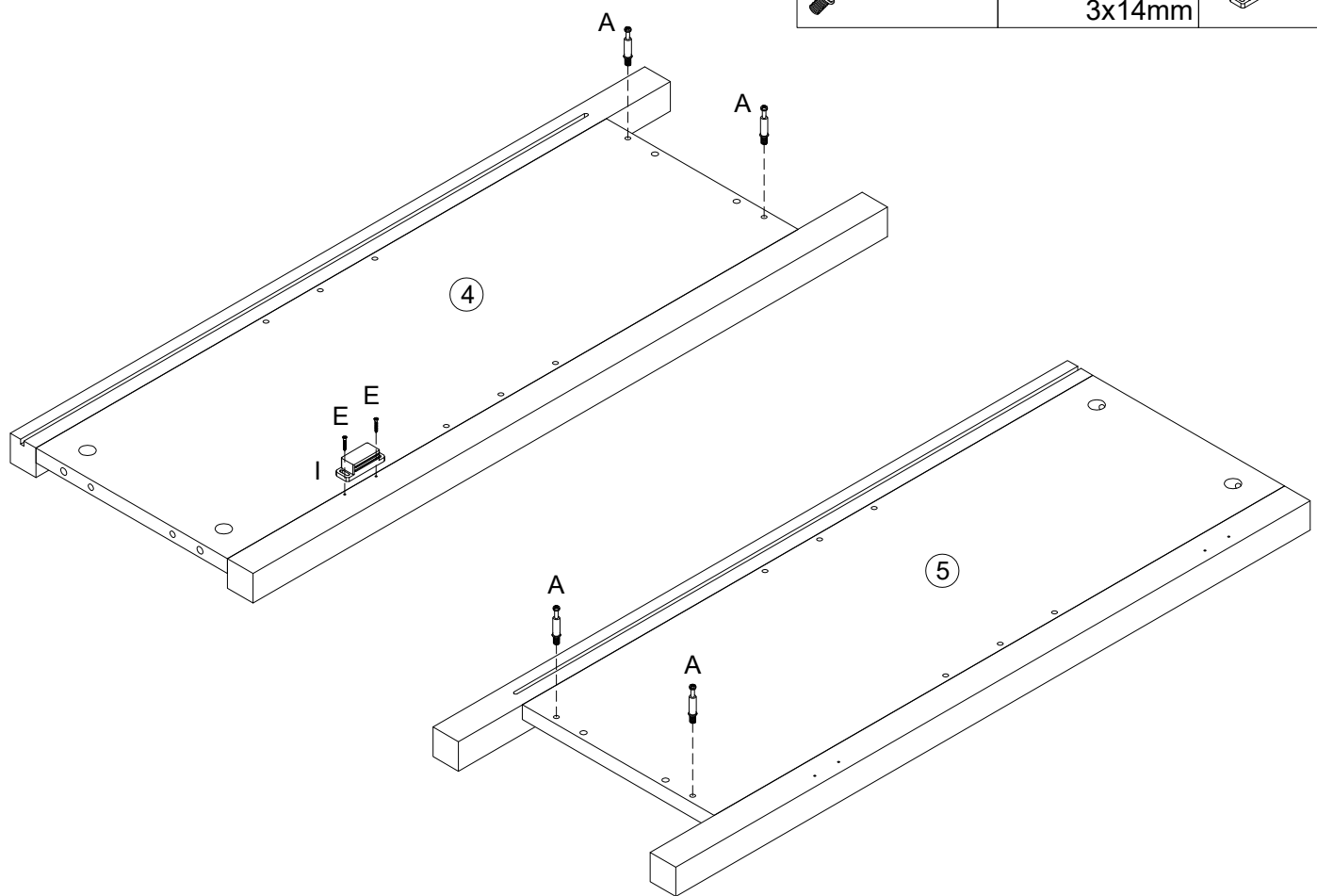


Jx1





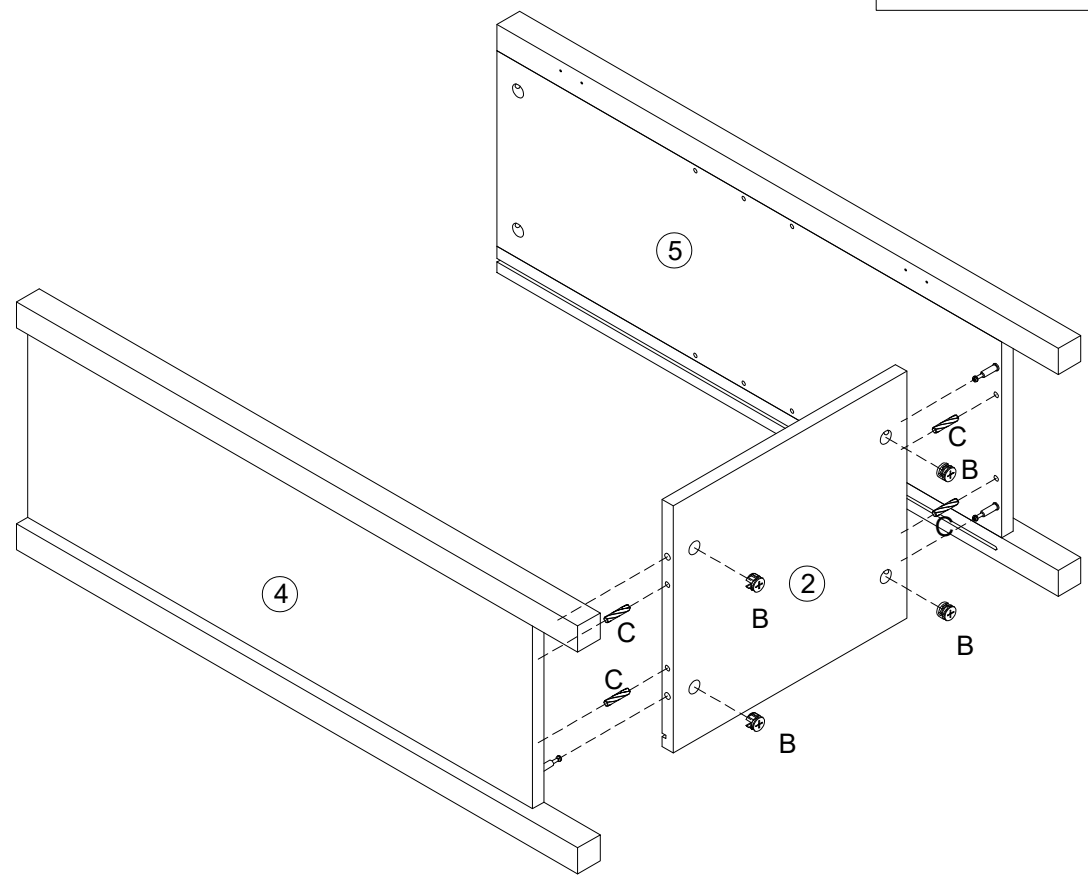
# STEP 3

	Ax4		Ex2 3x14mm		Ix1
--	-----	--	---------------	--	-----

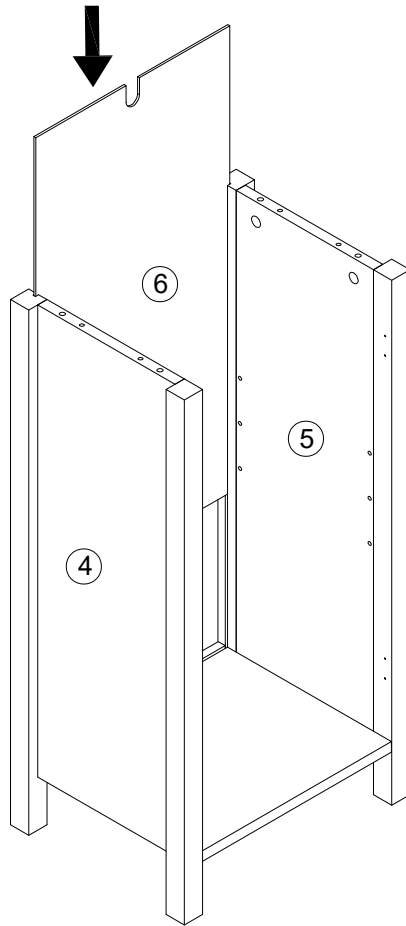


# STEP 4

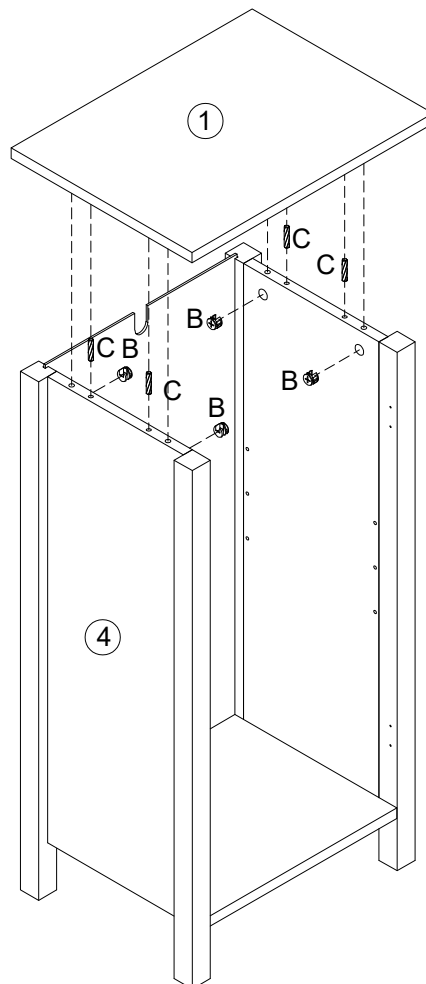
	Bx4		Cx4 6x30mm
---	-----	---	---------------



# STEP 5



# STEP 6




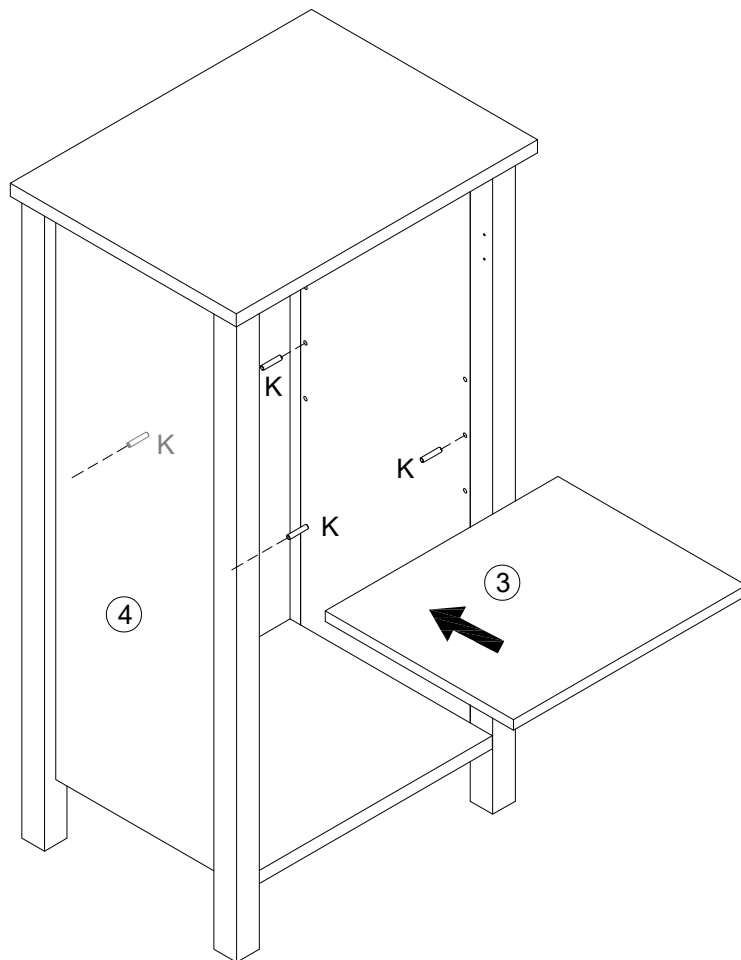
Bx8




Cx8  
6x30mm

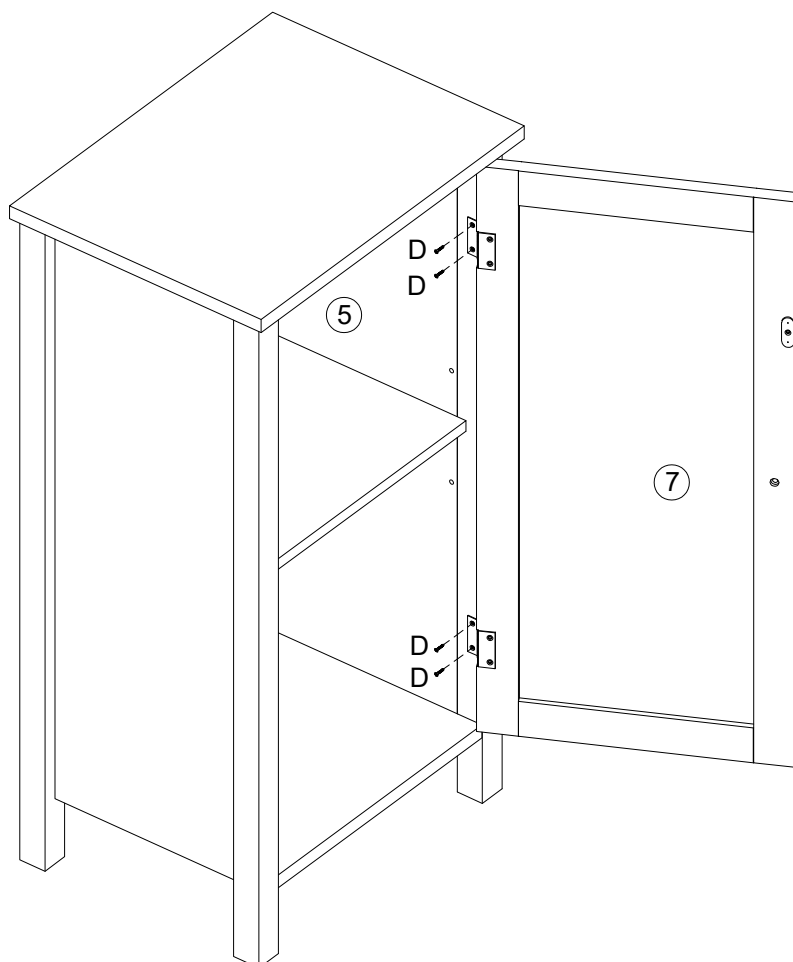
# STEP 7

 Kx4



# STEP 8

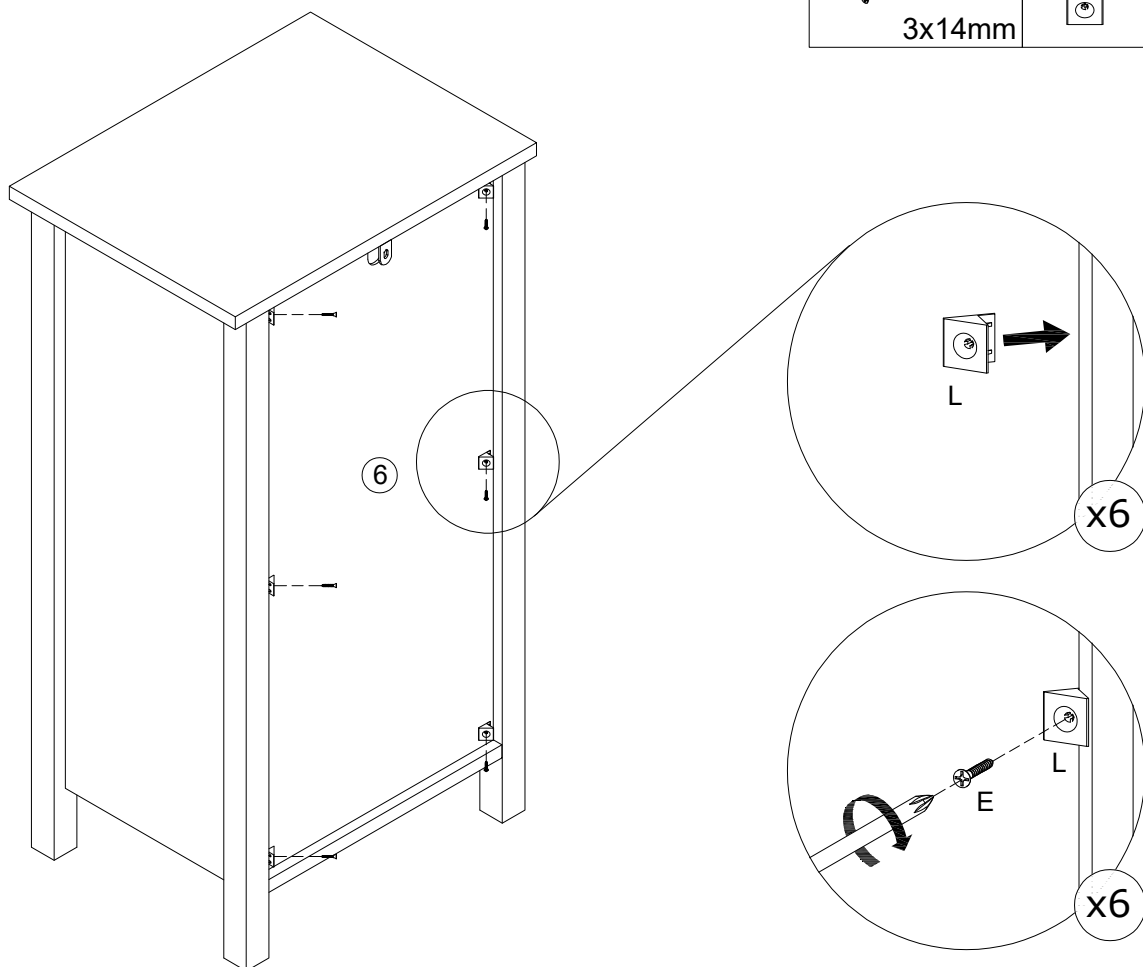
 Dx4  
3x12mm



# STEP 9

Ex6  
3x14mm

Lx6



# STEP 10

Px1

Nx1  
4x35mm

