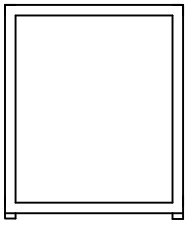


Identify parts before assembling. | Identificar las partes antes de armar. | Identifier les pièces avant l'assemblage.

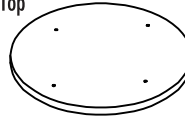
A x 1
Closed Frame



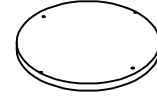
B x 2
Open Frame



C x 1
Table Top



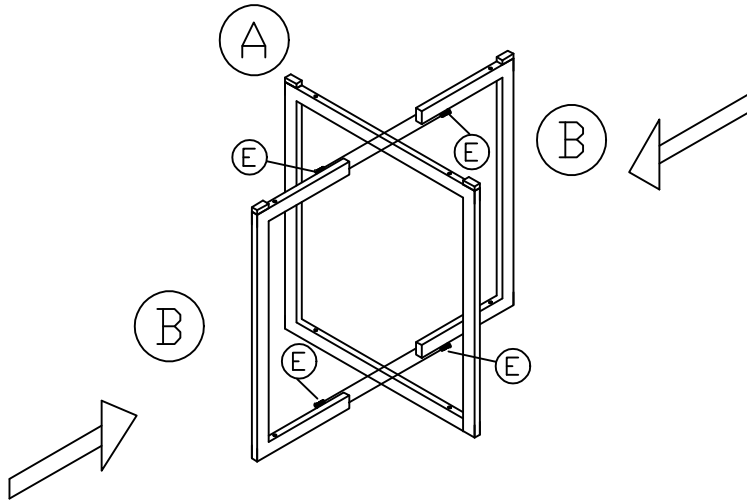
D x 1
Shelf



E x 12
Screw

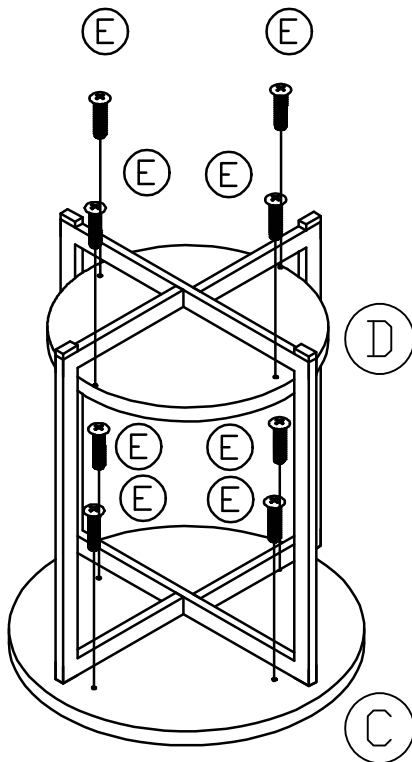


1 NOTE: Finger tighten screws until table is fully assembled, unless instructed to "tighten fully".



Screw open frames (B) into closed frame (A) with screws (E).

2 NOTE: Finger tighten screws until table is fully assembled, unless instructed to "tighten fully".



Invert assembly and attach frames to table top (C), laying upside down on the floor, with screws (E) through predrilled holes.

Then, align lower shelf with frames and insert screws.

Tighten down all screws.

