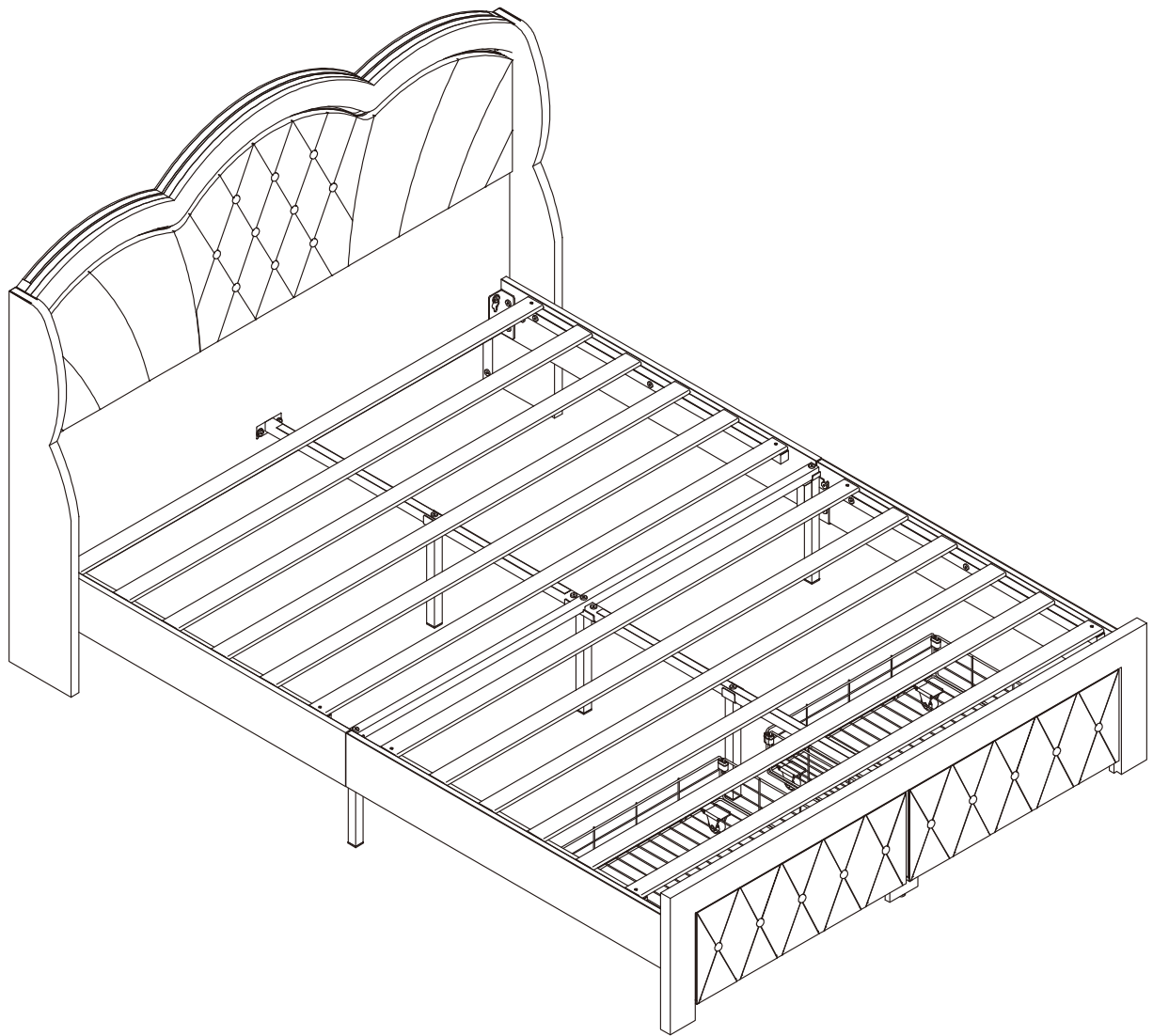
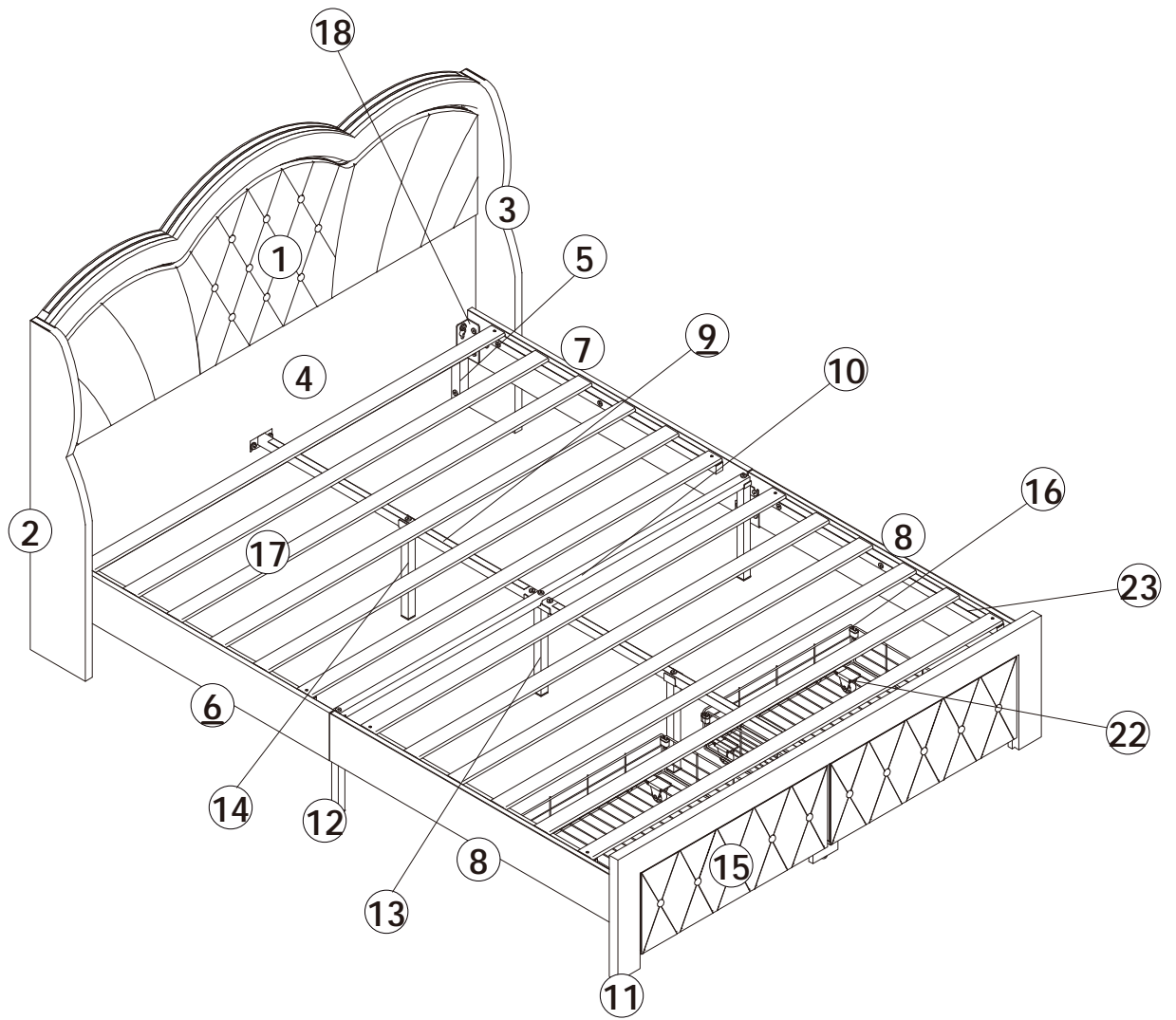


User's Manual

Bed Frame

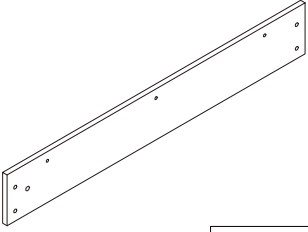
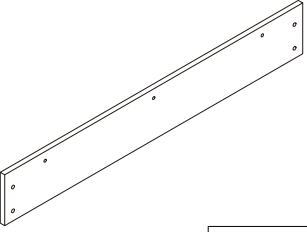
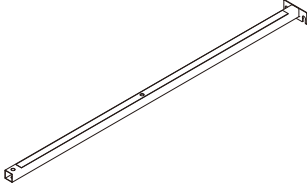
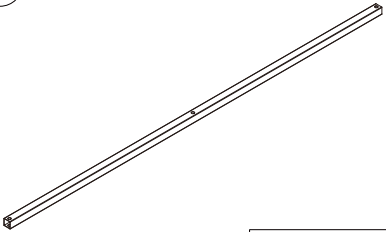
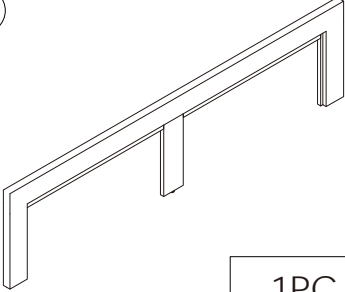
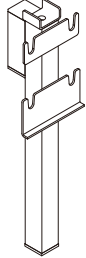
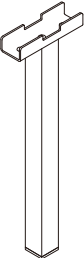

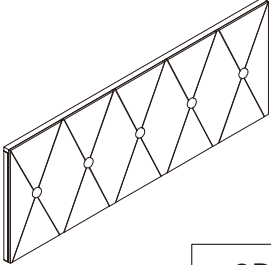
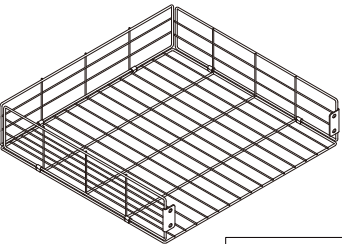
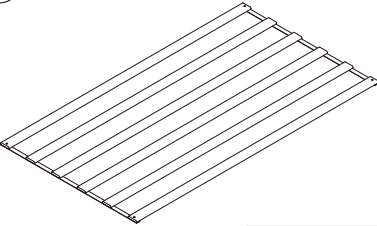
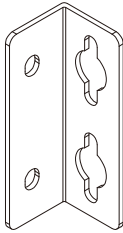
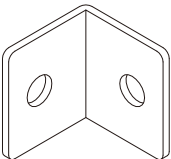
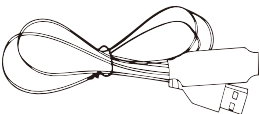
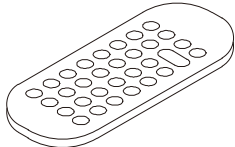
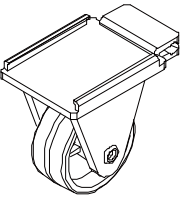
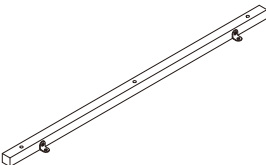


Parts list

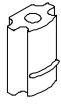
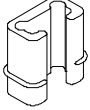
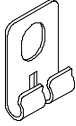
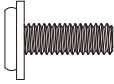
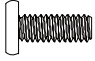



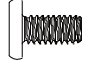
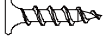




<p>①</p> <p>1PC</p>	<p>②</p> <p>1PC</p>	<p>③</p> <p>1PC</p>
<p>④</p> <p>1PC</p>	<p>⑤</p> <p>2PCS</p>	<p>⑥</p> <p>1PC</p>

Parts list

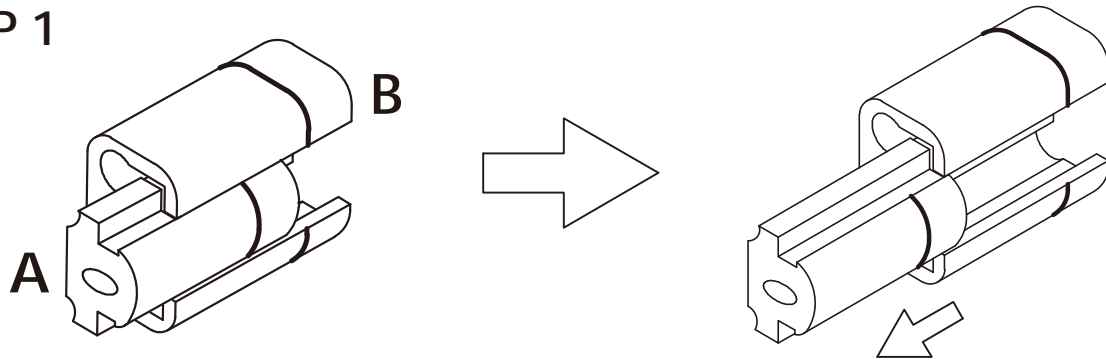
<p>7</p>  <p>1PC</p>	<p>8</p>  <p>2PCS</p>	<p>9</p>  <p>2PCS</p>
<p>10</p>  <p>1PC</p>	<p>11</p>  <p>1PC</p>	<p>12</p>  <p>2PCS</p>
<p>13</p>  <p>1PC</p>	<p>14</p>  <p>2PCS</p>	<p>15</p>  <p>2PCS</p>
<p>16</p>  <p>2PCS</p>	<p>17</p>  <p>2PCS</p>	<p>18</p>  <p>4PCS</p>
<p>19</p>  <p>3PCS</p>	<p>20</p>  <p>1PC</p>	<p>21</p>  <p>1PC</p>
<p>22</p>  <p>8PCS</p>	<p>23</p>  <p>4PCS</p>	

Hardware List

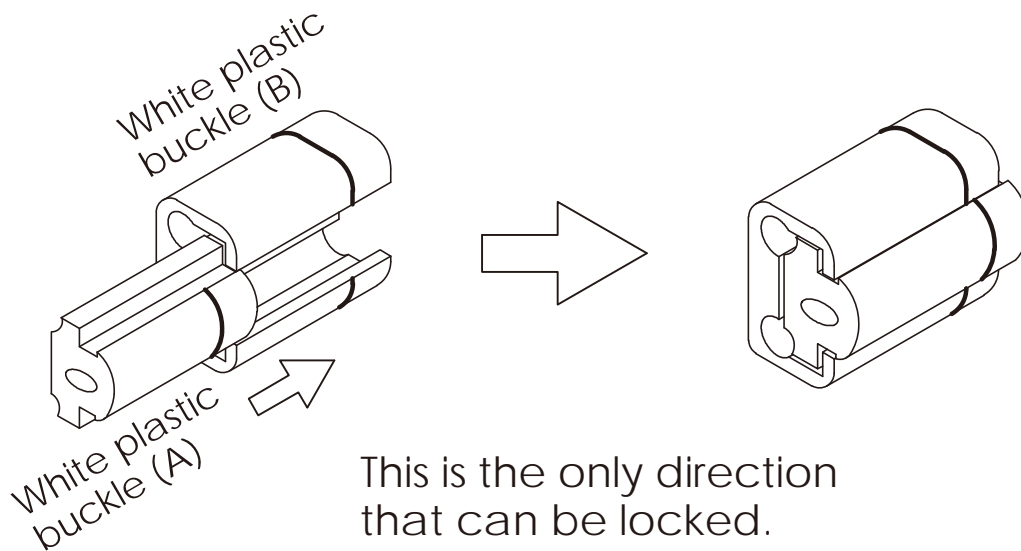
A  <div style="border: 1px solid black; padding: 2px; width: fit-content; margin-left: auto; margin-right: auto;">4PCS</div>	B  <div style="border: 1px solid black; padding: 2px; width: fit-content; margin-left: auto; margin-right: auto;">4PCS</div>	C  <div style="border: 1px solid black; padding: 2px; width: fit-content; margin-left: auto; margin-right: auto;">2PCS</div>	D  <div style="border: 1px solid black; padding: 2px; width: fit-content; margin-left: auto; margin-right: auto;">5/16x19mm 28+2PCS</div>
E  <div style="border: 1px solid black; padding: 2px; width: fit-content; margin-left: auto; margin-right: auto;">1/4x16mm 8+1PCS</div>	F  <div style="border: 1px solid black; padding: 2px; width: fit-content; margin-left: auto; margin-right: auto;">5/16x40mm 16+2PCS</div>	G  <div style="border: 1px solid black; padding: 2px; width: fit-content; margin-left: auto; margin-right: auto;">5/16x50mm 7+1PCS</div>	H  <div style="border: 1px solid black; padding: 2px; width: fit-content; margin-left: auto; margin-right: auto;">1/4x35mm 12+1PCS</div>
I  <div style="border: 1px solid black; padding: 2px; width: fit-content; margin-left: auto; margin-right: auto;">1/4x10mm 10+1PCS</div>	J  <div style="border: 1px solid black; padding: 2px; width: fit-content; margin-left: auto; margin-right: auto;">M4x25mm 8+1PCS</div>	K  <div style="border: 1px solid black; padding: 2px; width: fit-content; margin-left: auto; margin-right: auto;">4mm 1PC</div>	L  <div style="border: 1px solid black; padding: 2px; width: fit-content; margin-left: auto; margin-right: auto;">M4x15mm 8+1PCS</div>

Assembly Instruction of (Drawer)

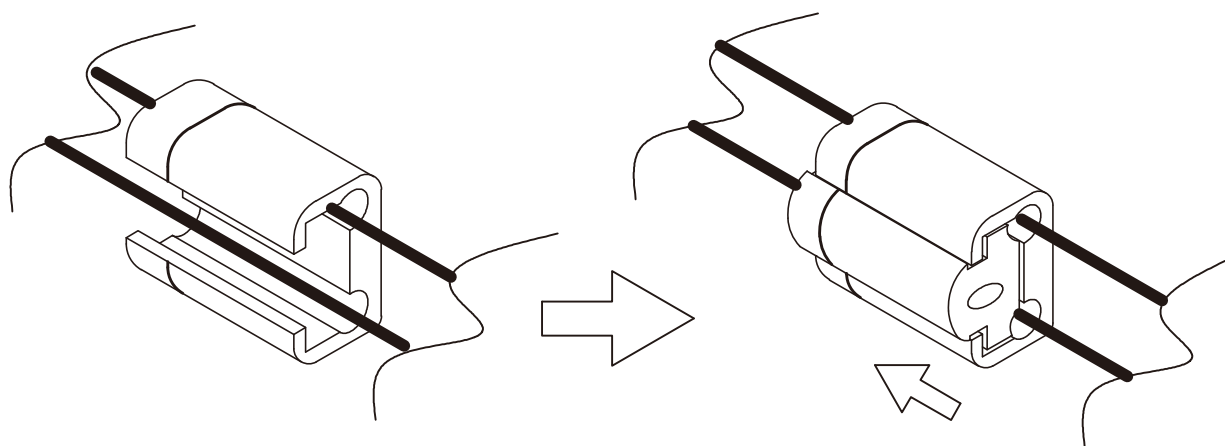
STEP 1



You can pull the buckle out by following the direction indicated by the arrow



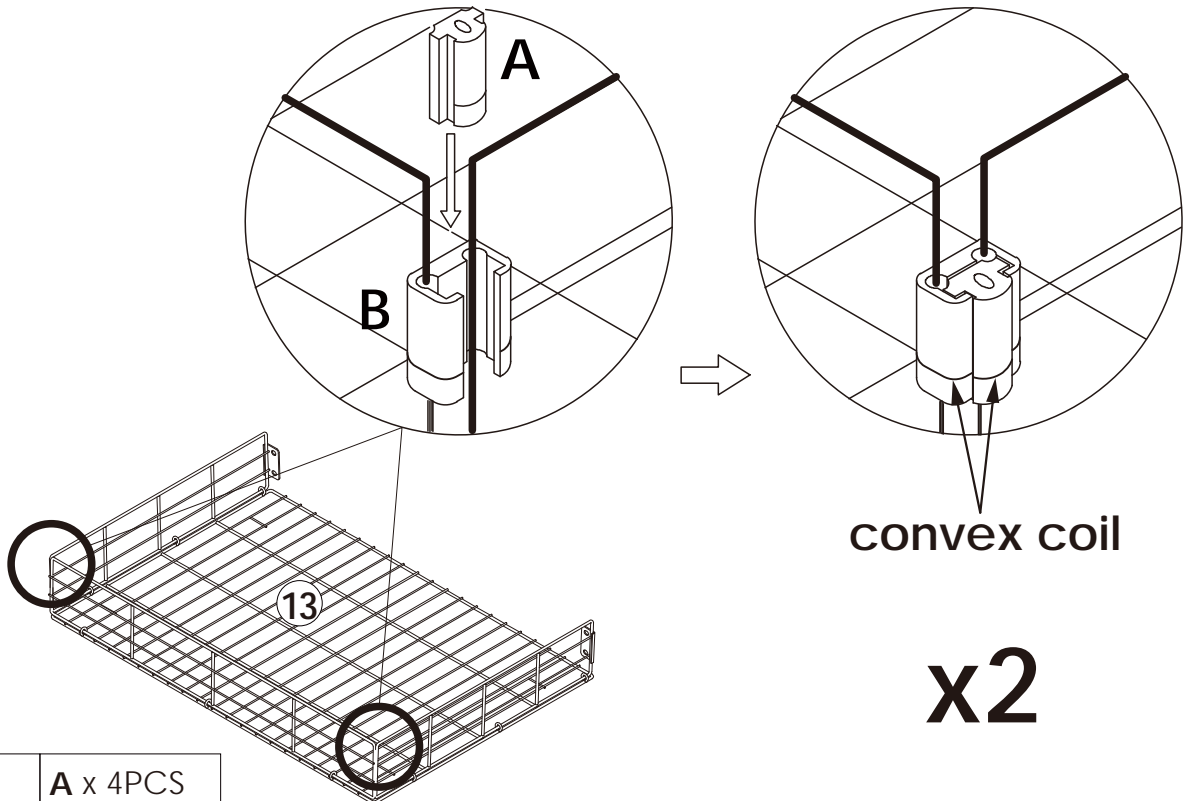
STEP 2





Place the round iron tubes as shown for better assembly of the drawers.

Assembly Instruction of (Drawer)

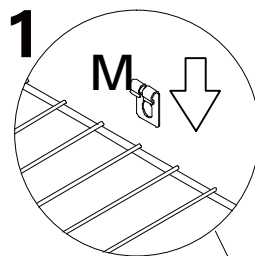
STEP 3 Assemble the black plastic buckle as shown in the figure.



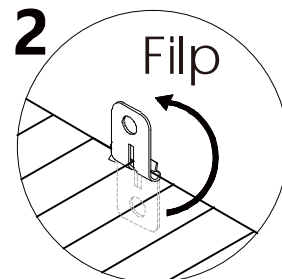
	A x 4PCS
	B x 4PCS

STEP 4

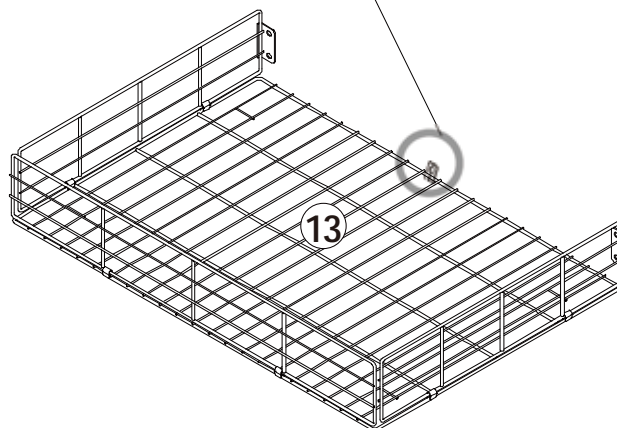
**Assemble
drawer hook**



1. Buckle the accessories into the iron mesh as shown in the figure. The 11th one counted on the side is the middle.



2. Buckle it and turn it over.

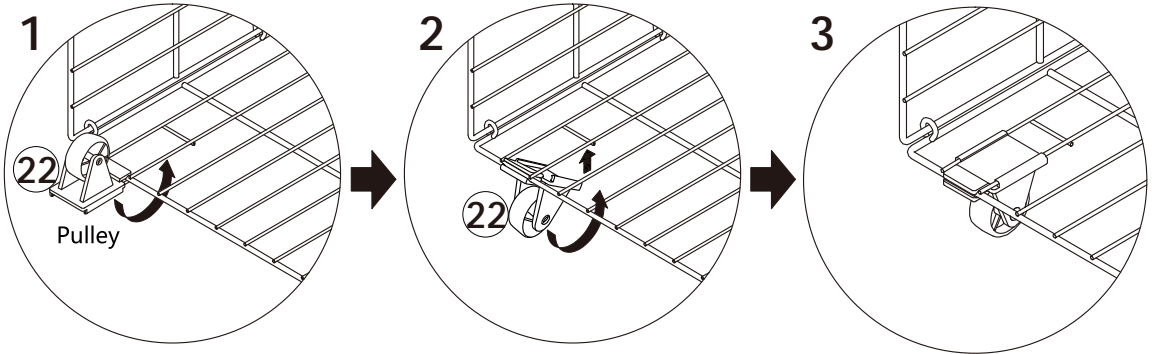


x2

	C x 2PCS
-------------------------------------------------------------------------------------	----------

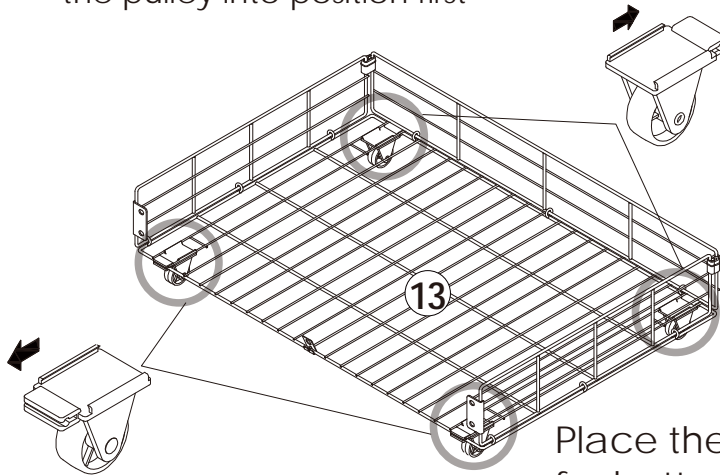
Assembly Instruction of (Drawer)

STEP 5



1. As shown in the figure Clip the pulley into position first

2. Then push the pulley to the side at the same time, clamp the iron wire at the edge it takes a little strength



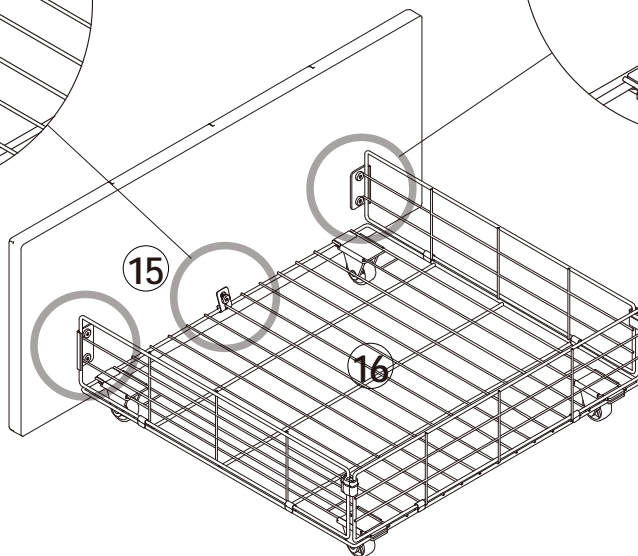
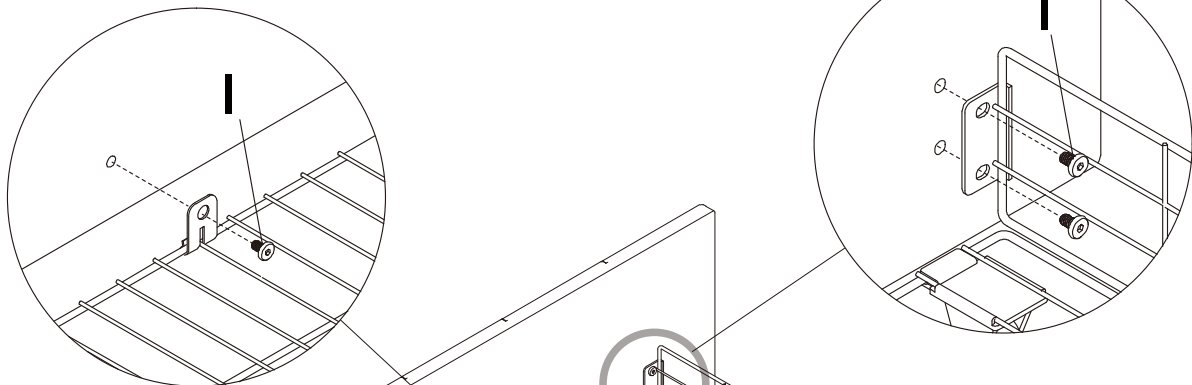
x2

Place the round iron tubes as shown for better assembly of the drawers.



22x 8PCS

STEP 6



x2



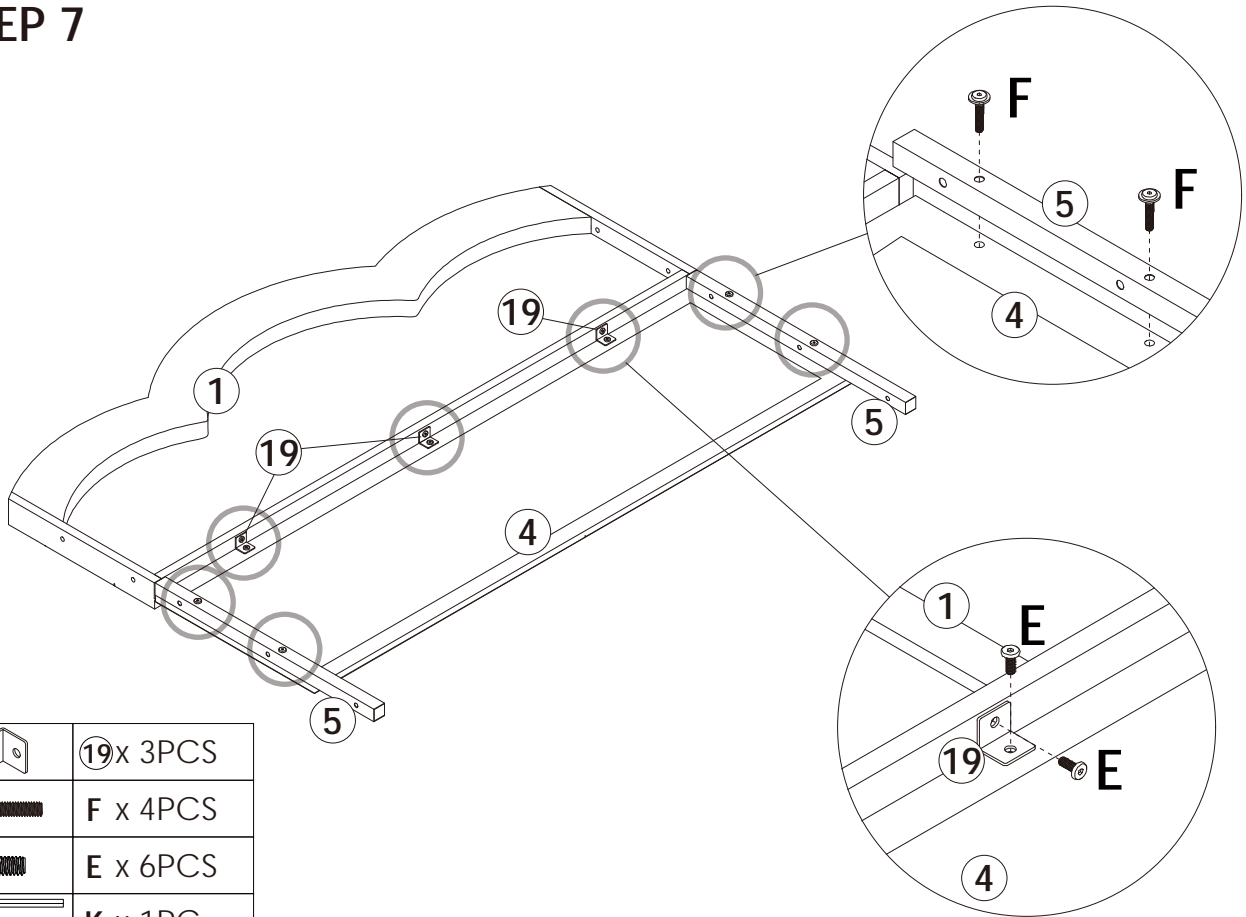
I x 10PCS







K x 1PC

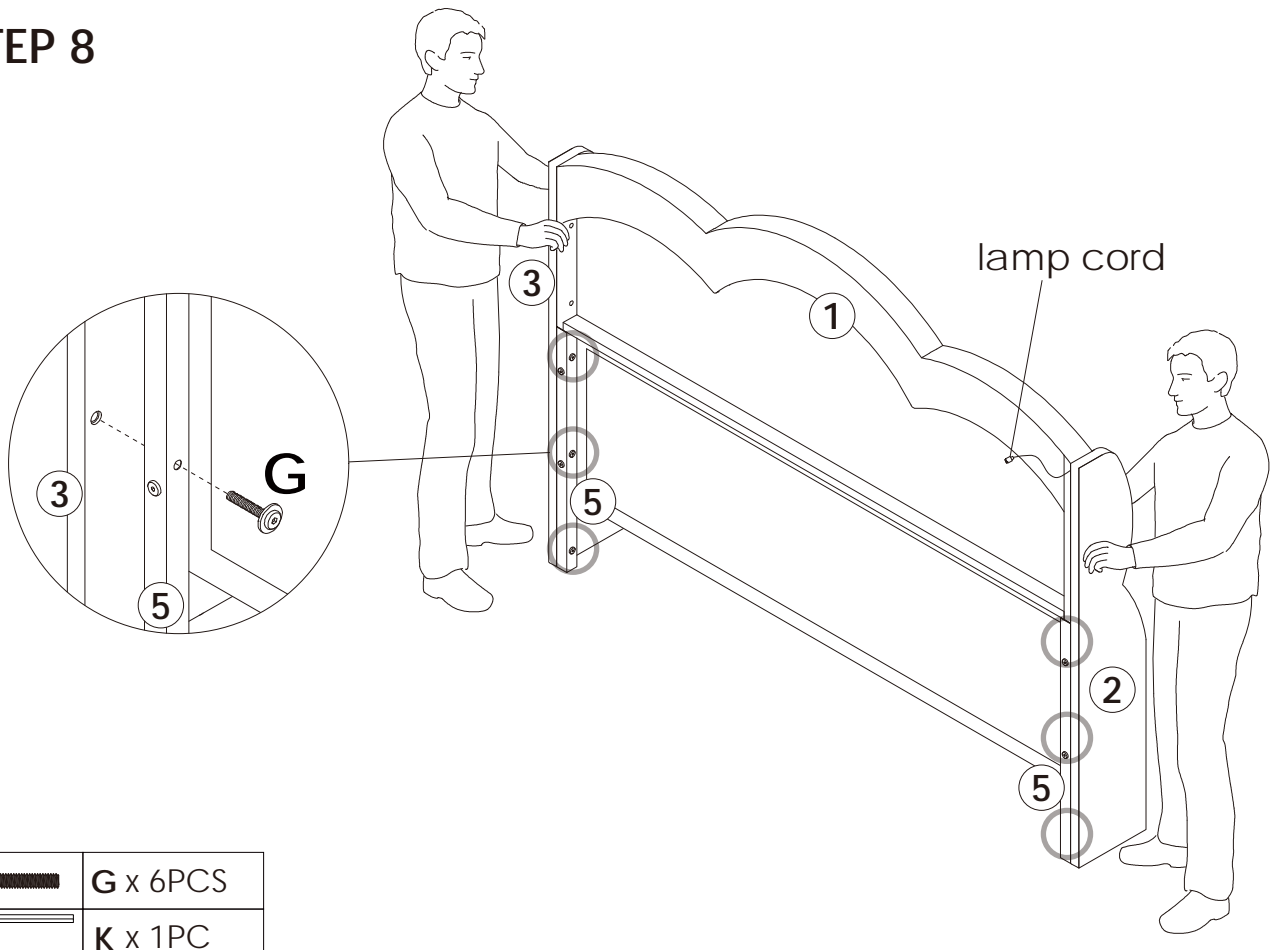
Assembly Instruction of (Bed)



STEP 7



	19x 3PCS
	F x 4PCS
	E x 6PCS
	K x 1PC

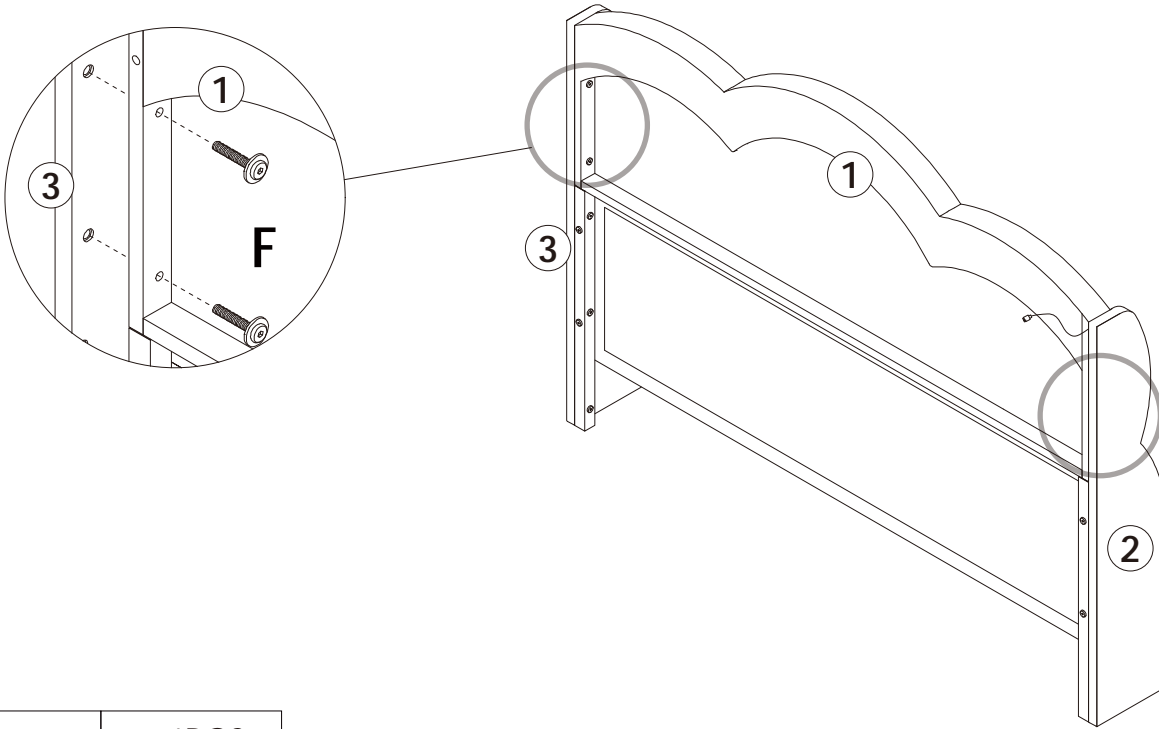
STEP 8





	G x 6PCS
	K x 1PC

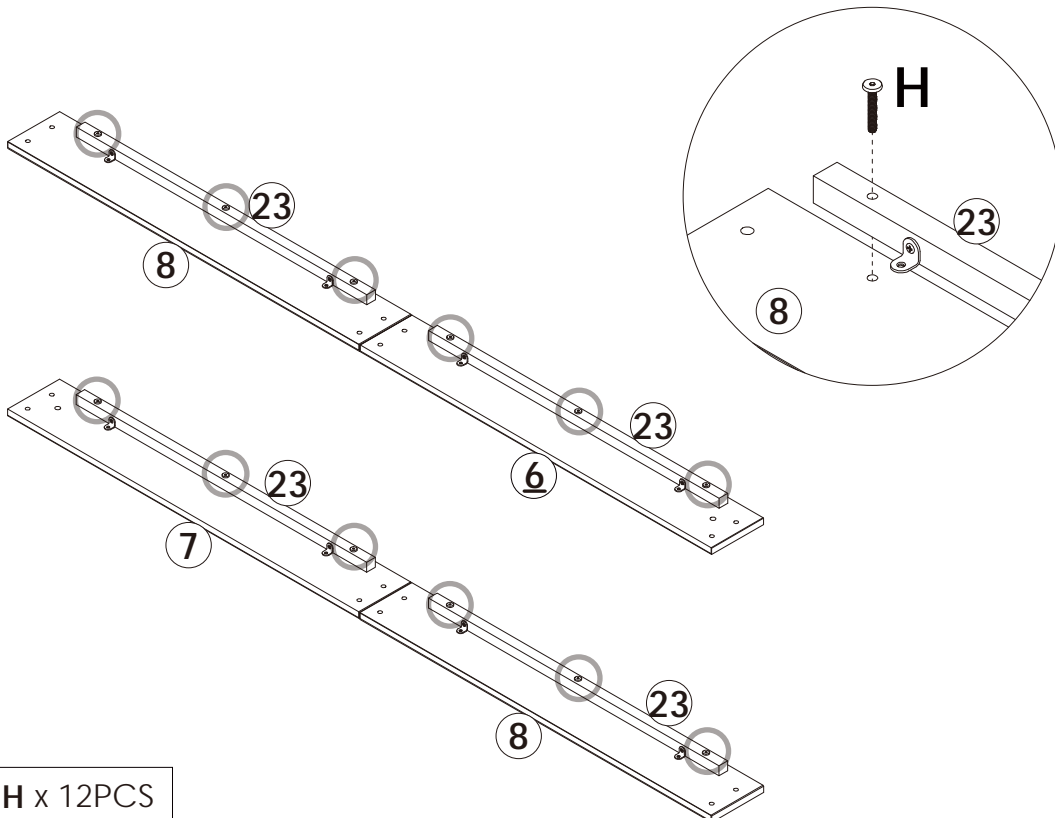
Assembly Instruction of (Bed)



STEP 9



	F x 4PCS
	K x 1PC

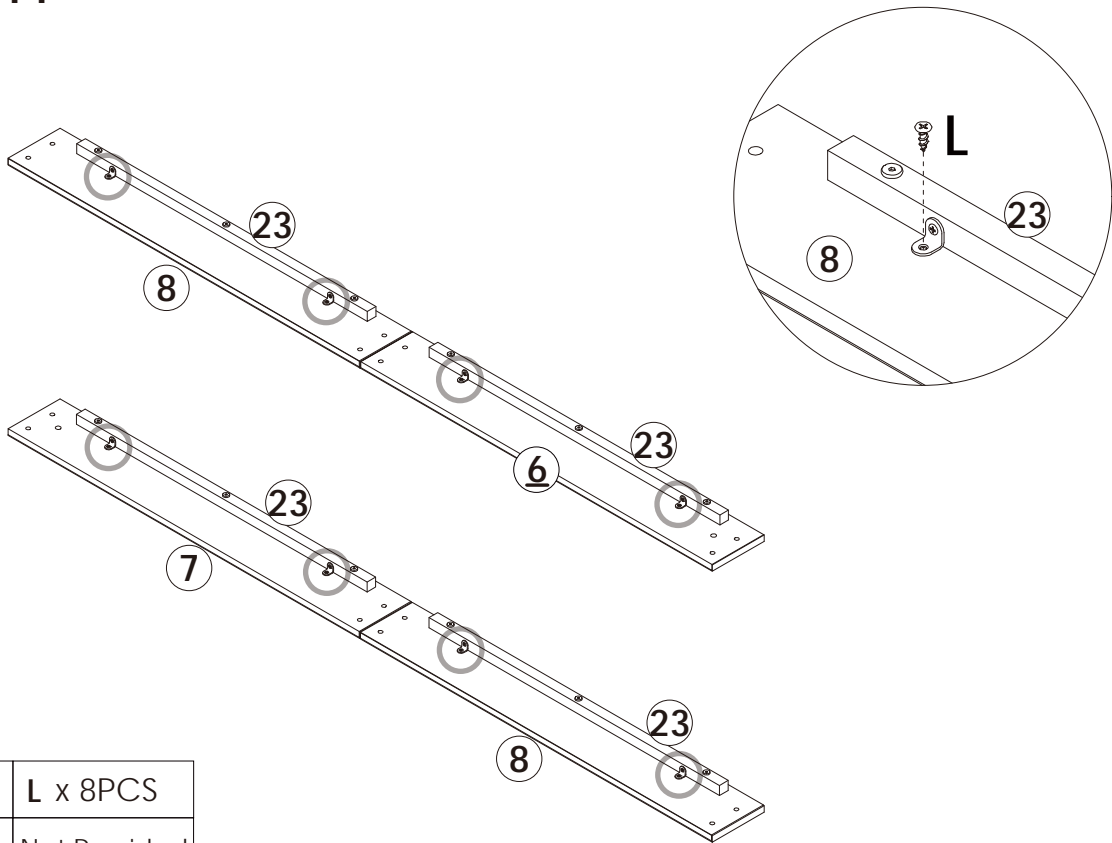
STEP 10





	H x 12PCS
	K x 1PC

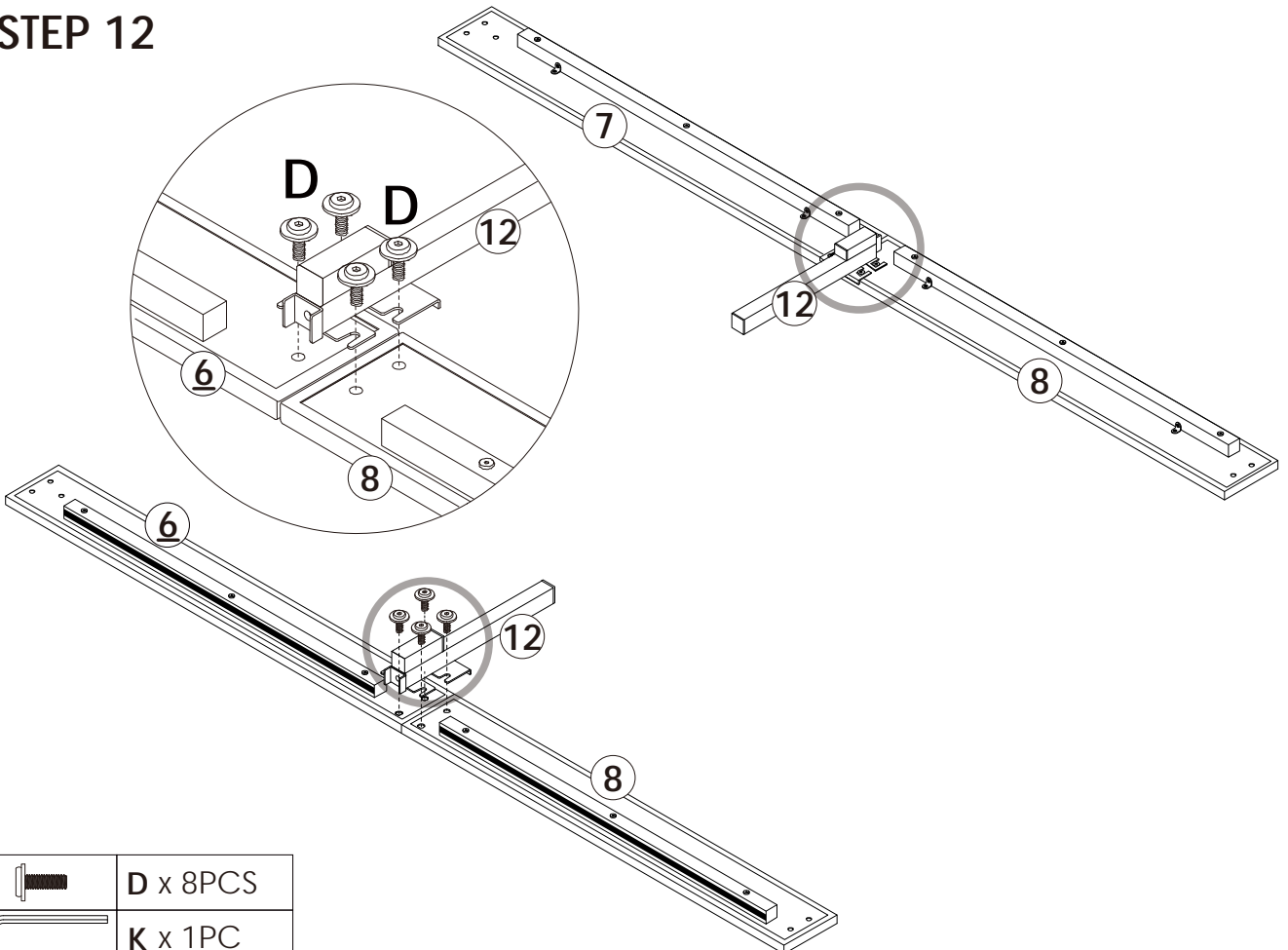
Assembly Instruction of (Bed)

STEP 11



	L x 8PCS
	Not Provided

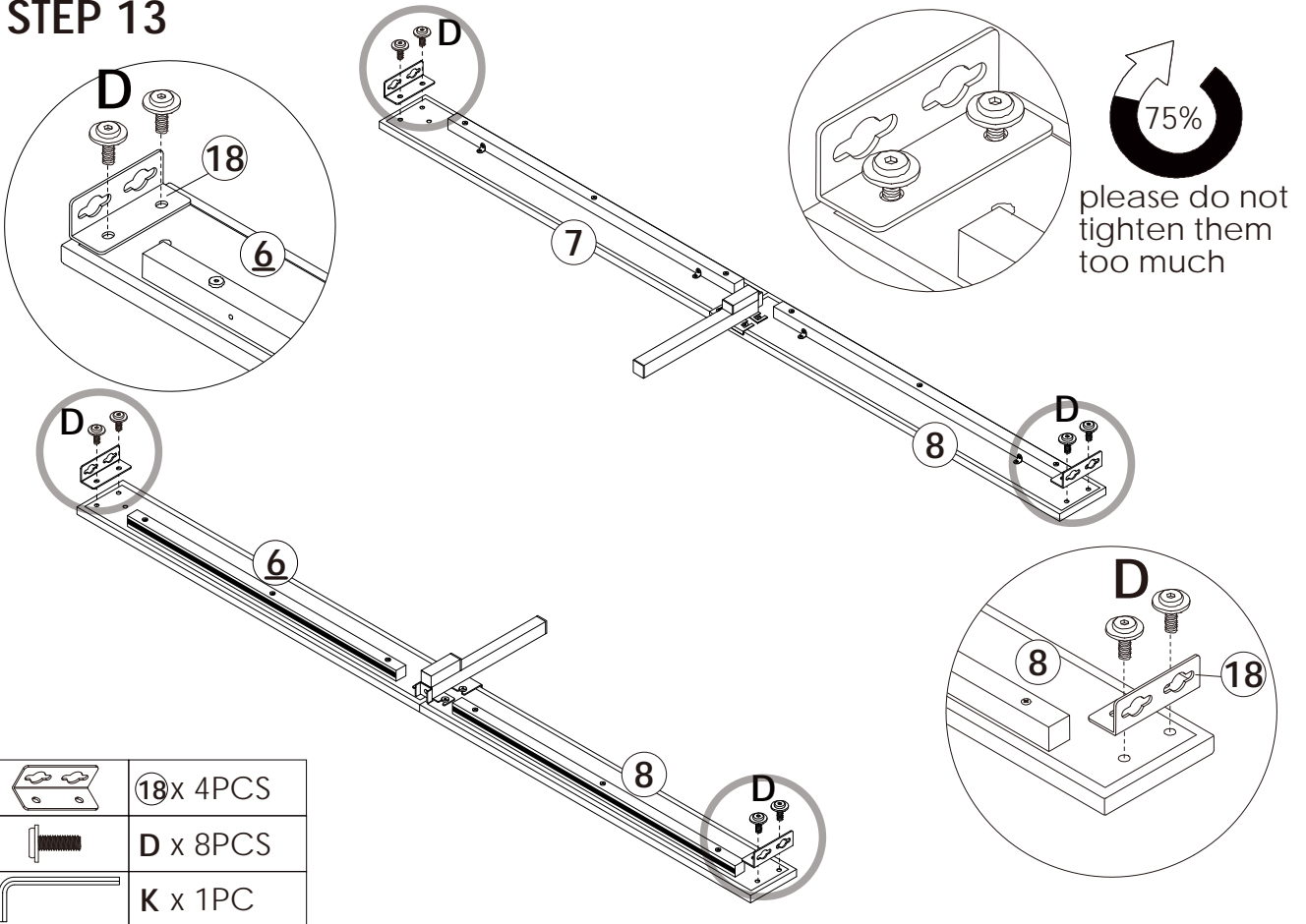
STEP 12

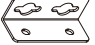




	D x 8PCS
	K x 1PC

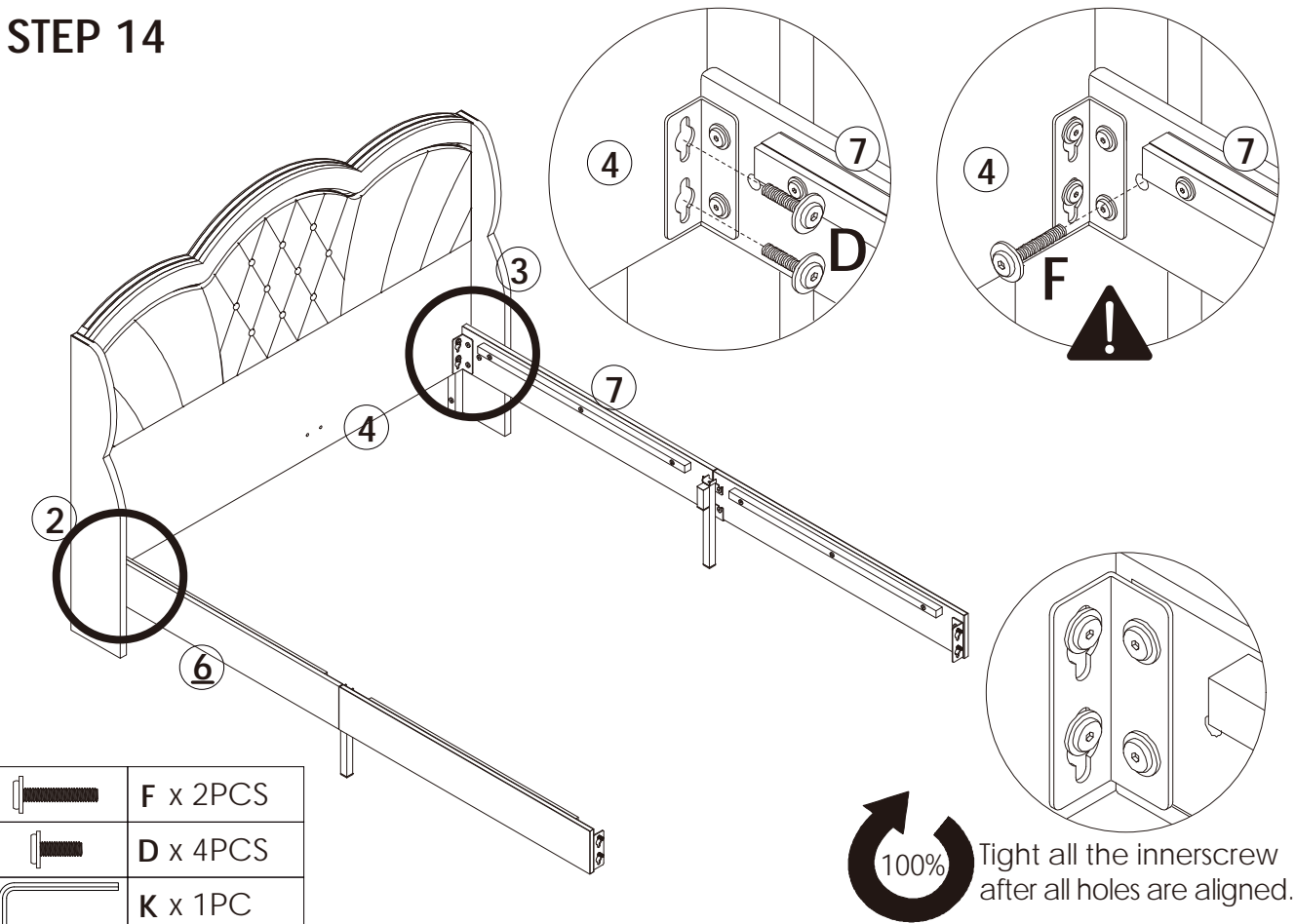
Assembly Instruction of (Bed)


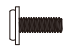

STEP 13



	18x 4PCS
	D x 8PCS
	K x 1PC

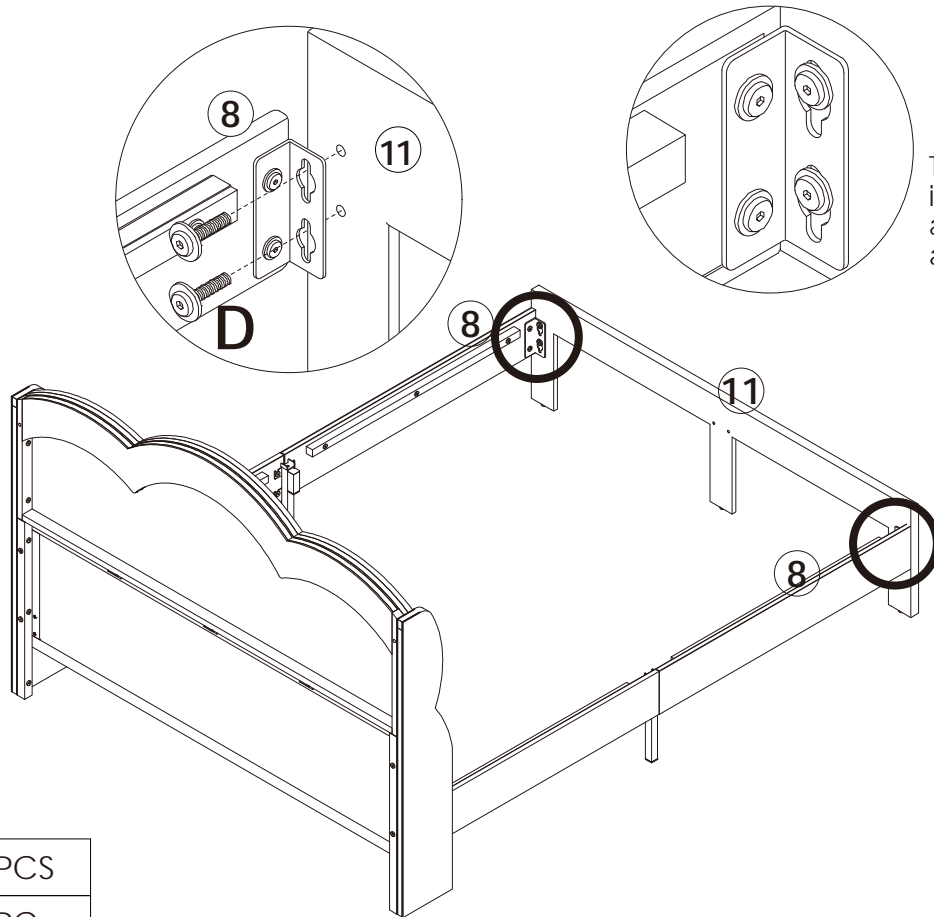
STEP 14





	F x 2PCS
	D x 4PCS
	K x 1PC

Assembly Instruction of (Bed)

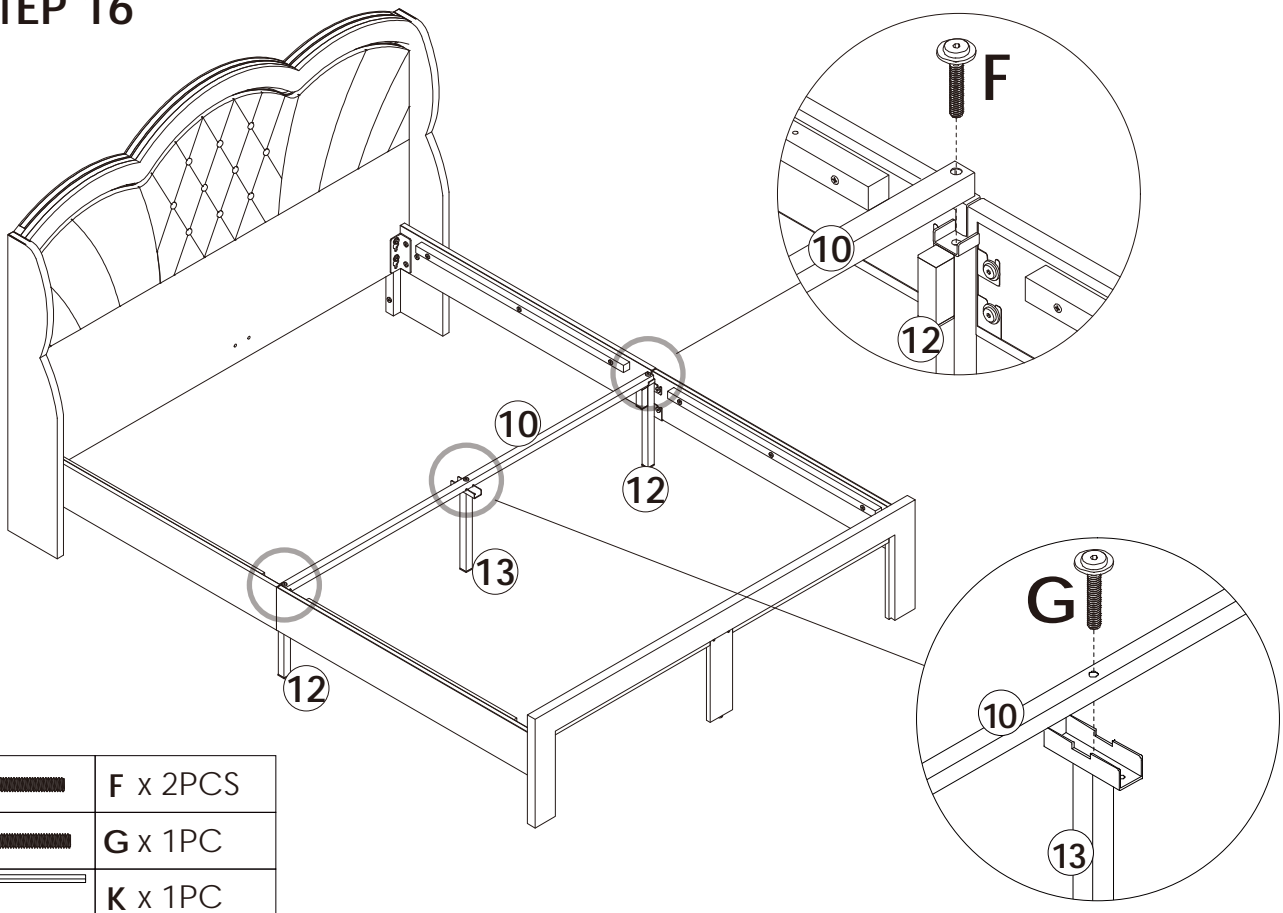
STEP 15






Tight all the
innerscrew
after all holes
are aligned.

	D x 4PCS
	K x 1PC

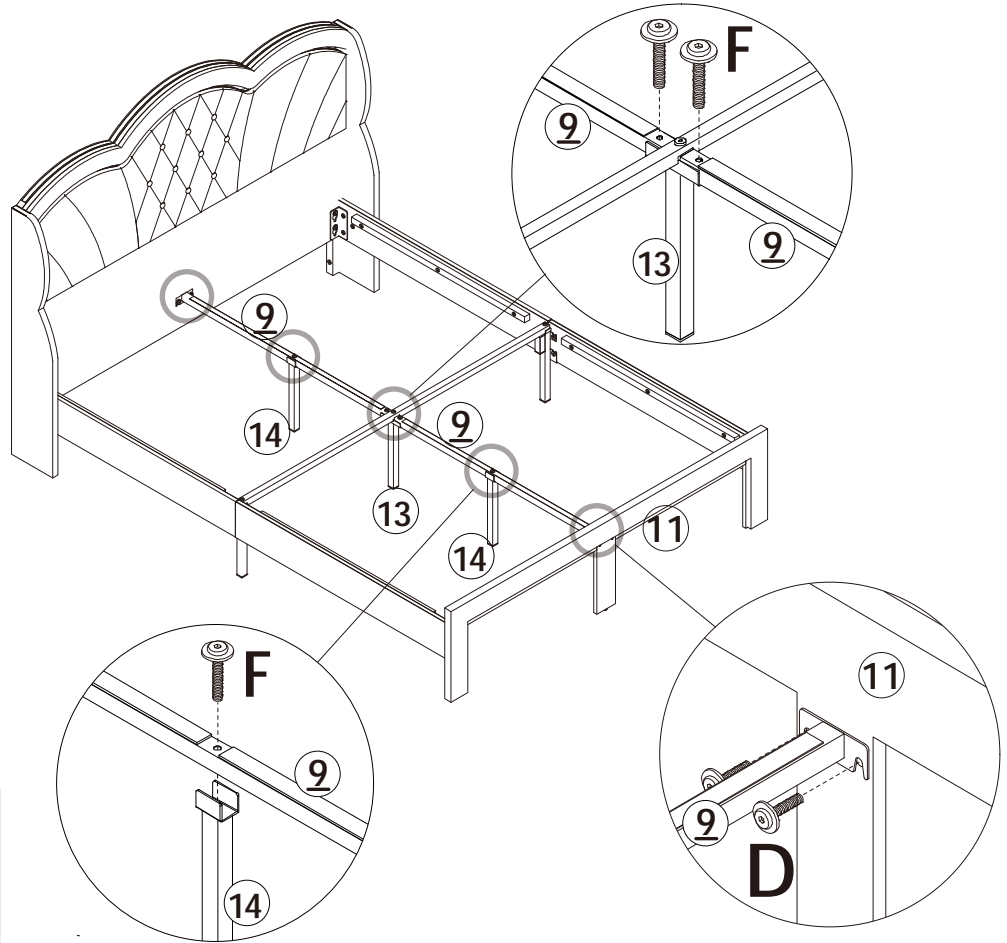
STEP 16






	F x 2PCS
	G x 1PC
	K x 1PC

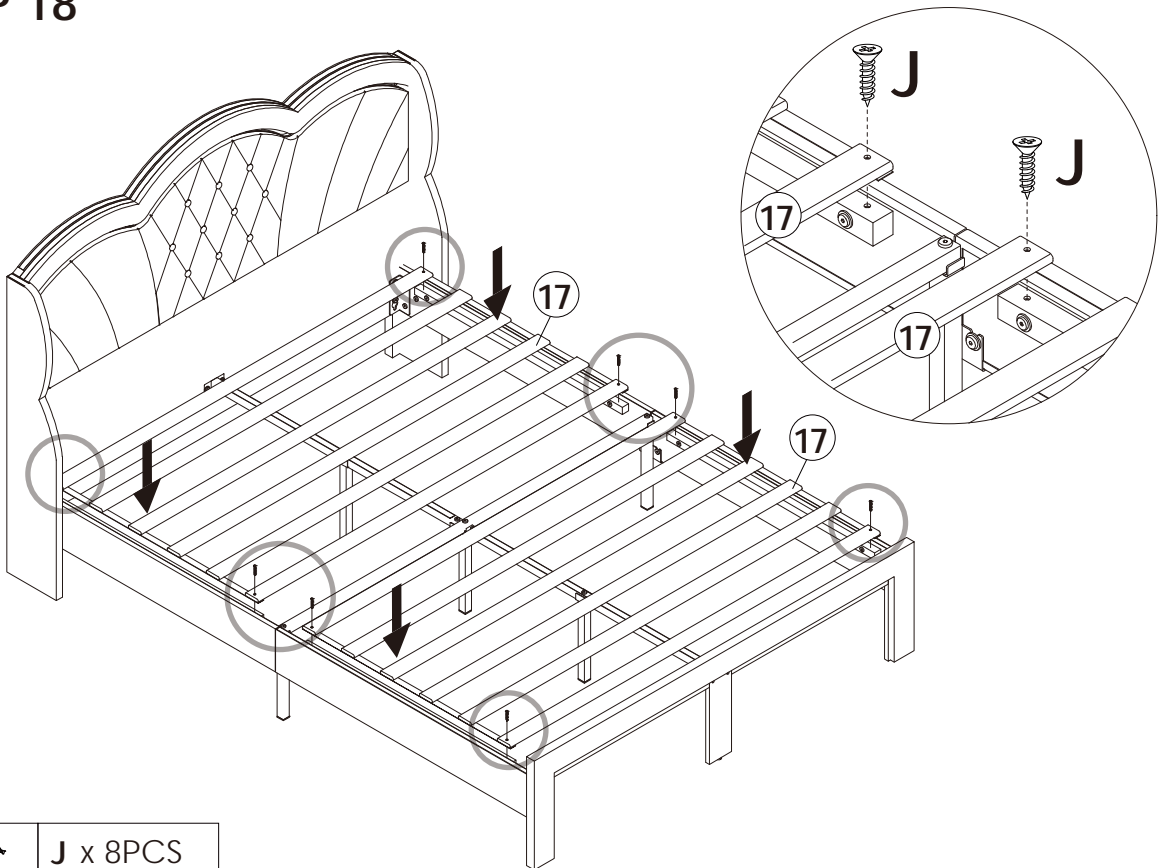
Assembly Instruction of (Bed)

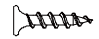

STEP 17



	F x 4PCS
	D x 4PCS
	K x 1PC

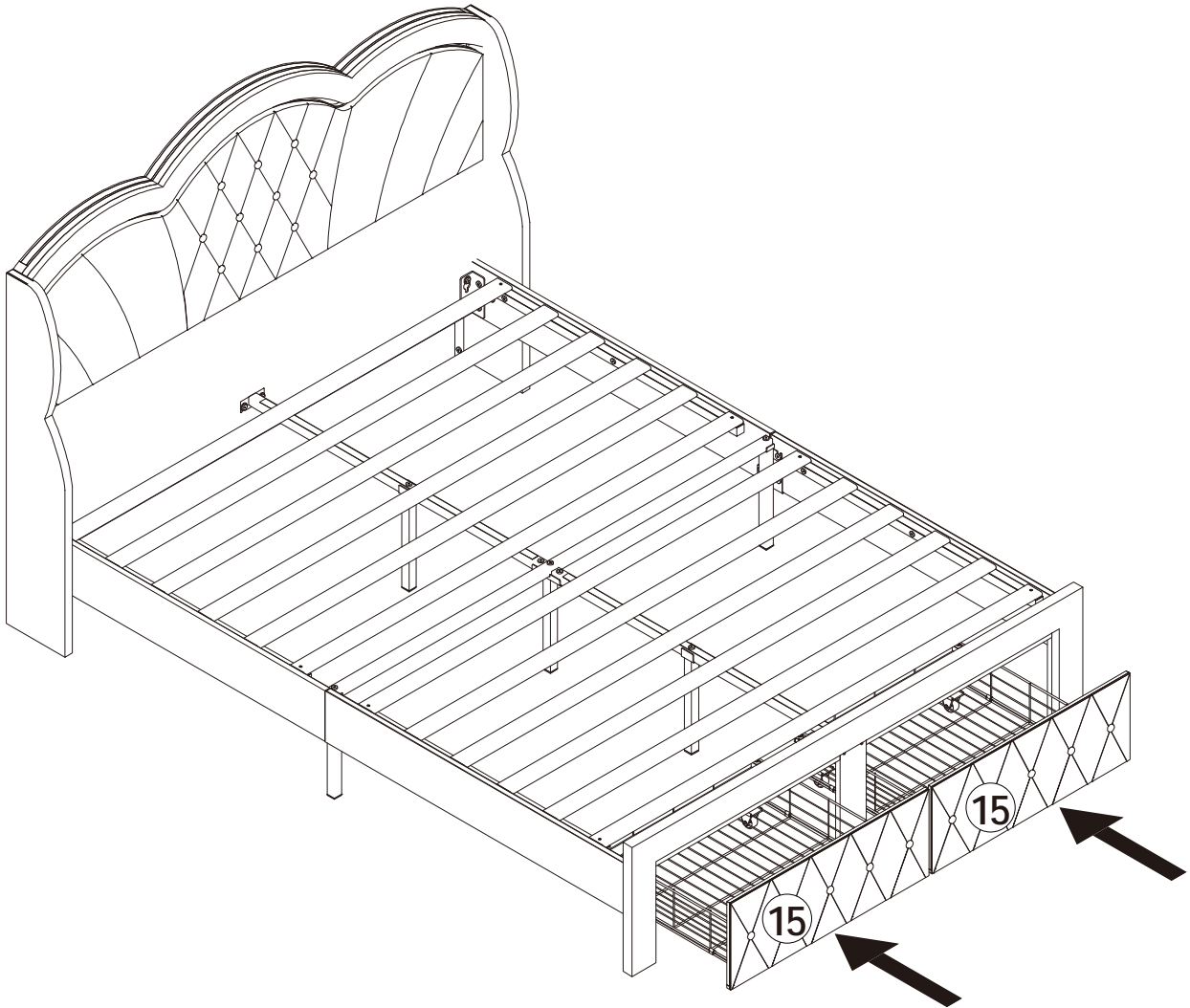
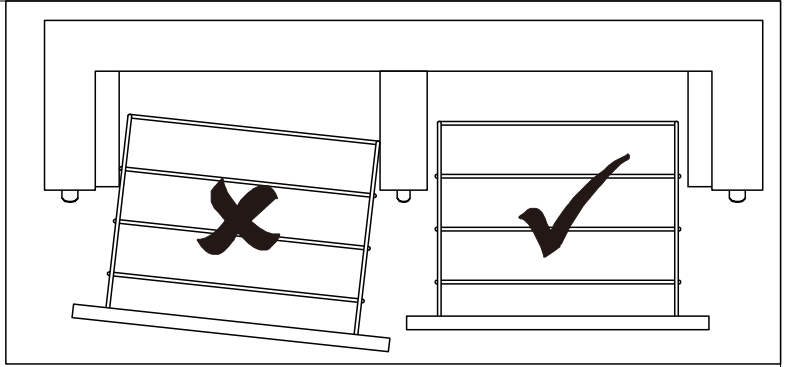
STEP 18



	J x 8PCS
	Not Provided

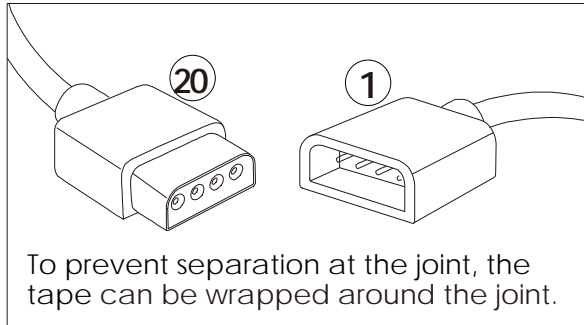
Assembly Instruction of (Drawer)

STEP 19

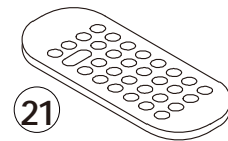


LED lamp assembly details

STEP 20

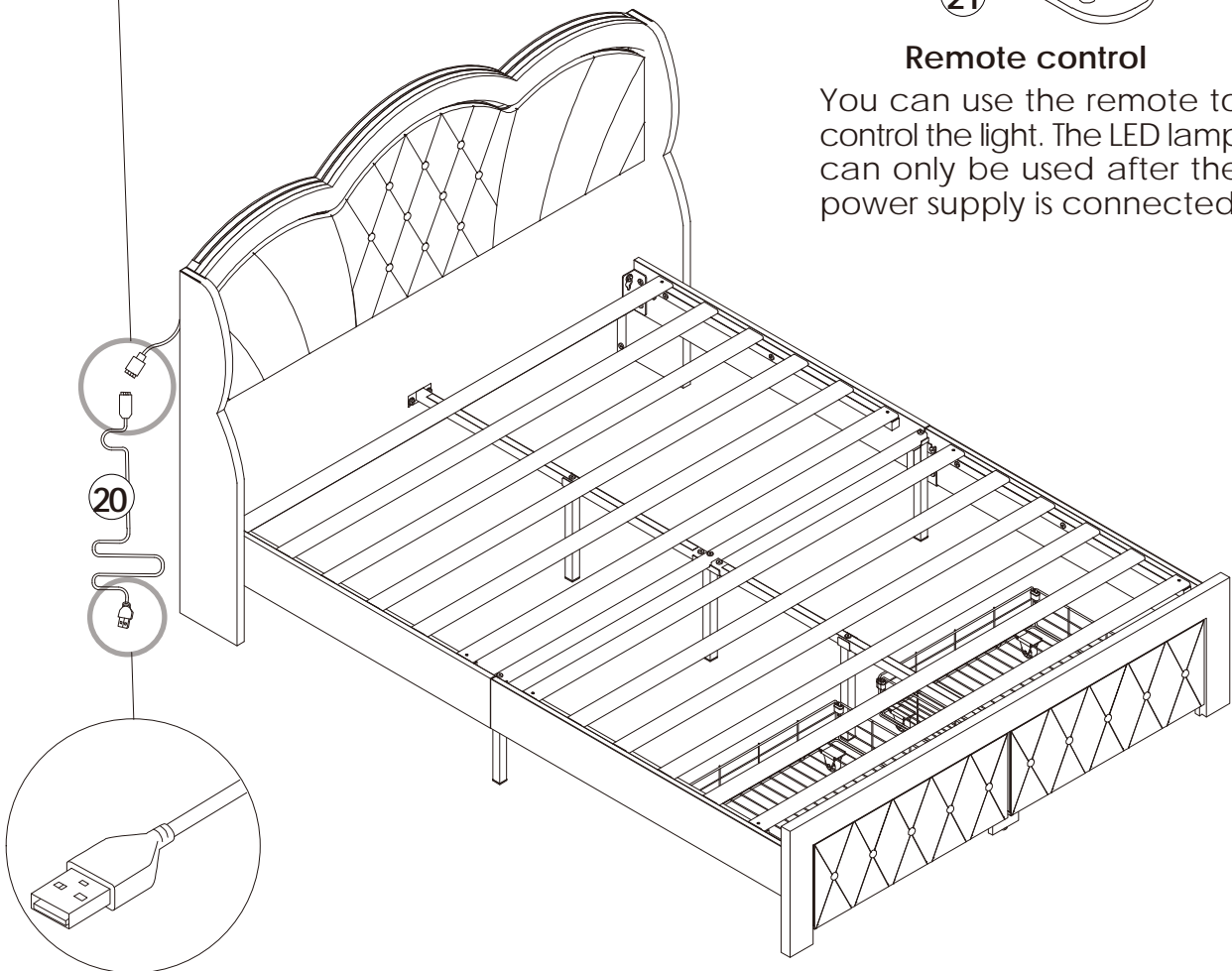


NOTE: The black part of the receiver ②① needs to be exposed to air in order to better control the LED light.



Remote control

You can use the remote to control the light. The LED lamp can only be used after the power supply is connected.



Please scan the QR code on the manual/controller and install the application.

Step1: Please make sure your phone has Bluetooth enabled.

Step2: The LED light will automatically connect to the APP.