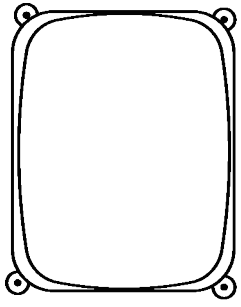


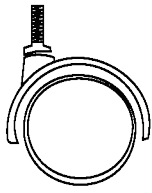
3 Tier Utility Cart

A



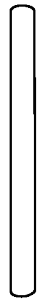
x3

B



x4

C



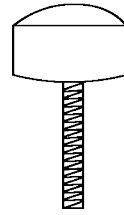
x8

D



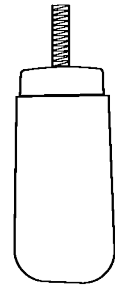
x1

E



x4

F



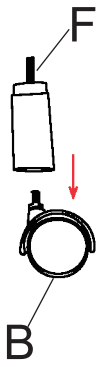
x4

G

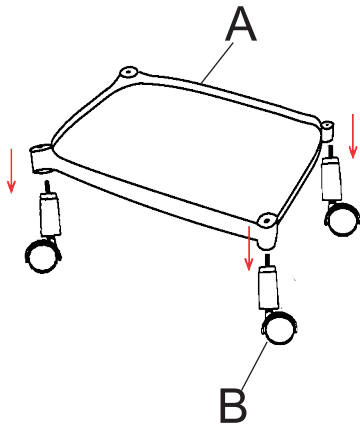


x4

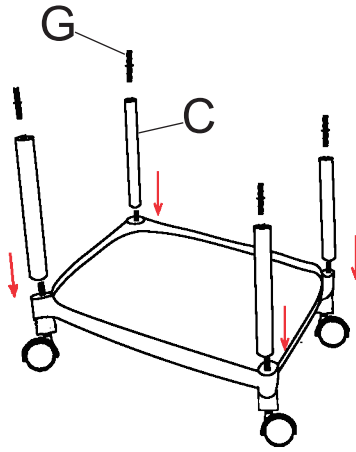
1



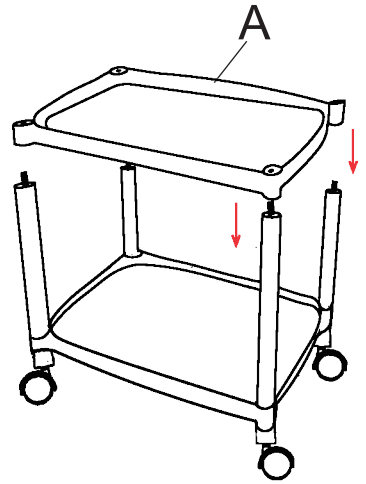
2



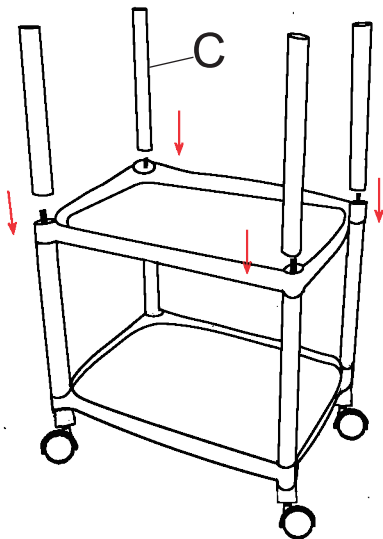
3



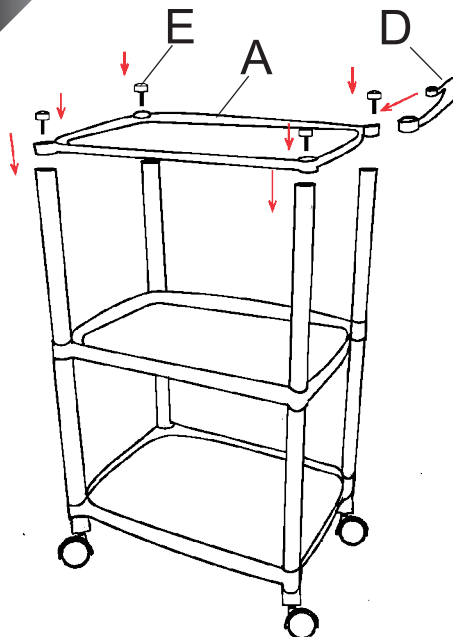
4



5



6



7

