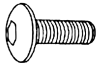

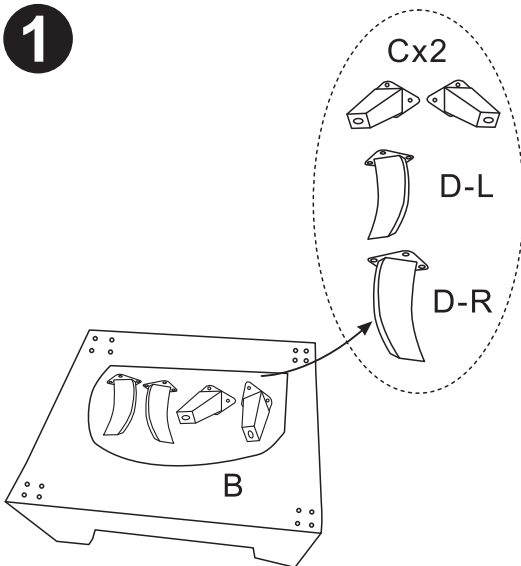
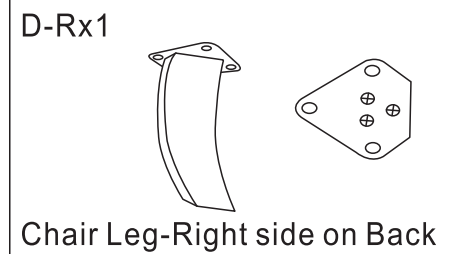
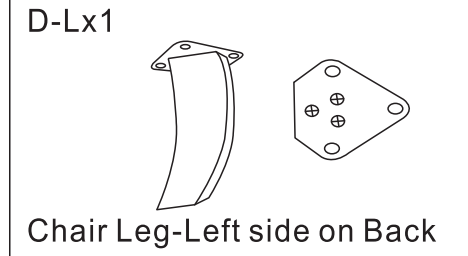
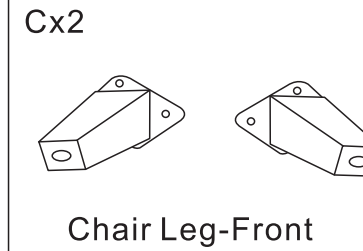
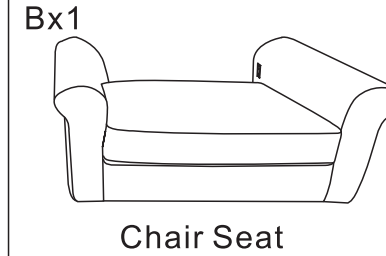
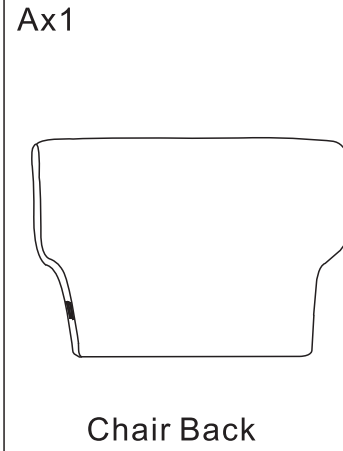


# ASSEMBLY INSTRUCTION

HARDWARE LIST	CODE	PARTS	QTY.
	E	 Screw M6x20 mm	12
	F	 Allen Key	1



Turn the seat frame B upside down on the clean padded surface, unzip the bottom pocket, take out the chair legs C, D-L and D-R.

