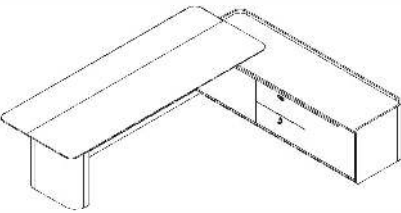


## Executive Desk Assembly Guide

### Finished Assembly Image

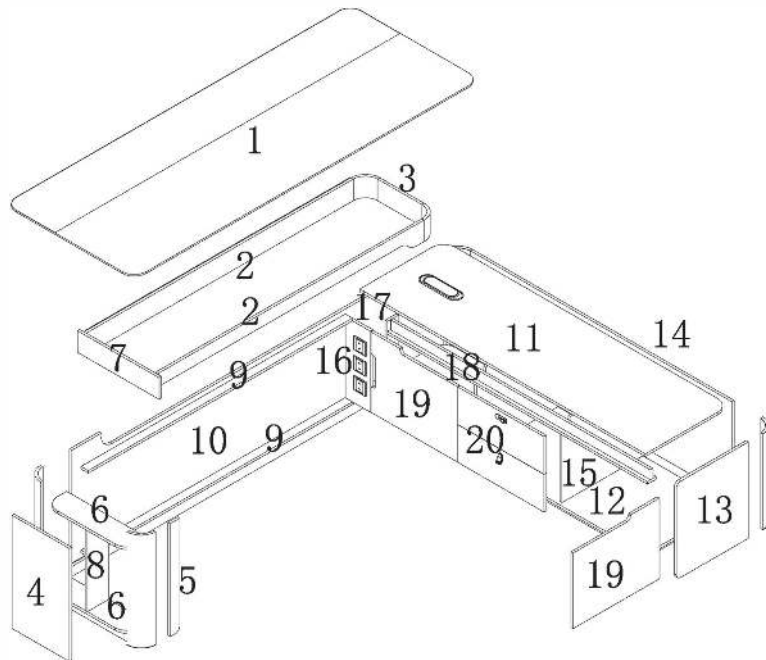


<b>Product Name:</b>	Executive Desk
<b>Product Dimensions:</b>	79" x 70" x 30"
<b>Color:</b>	Dale Wood Grain + Deo White

### Component Details

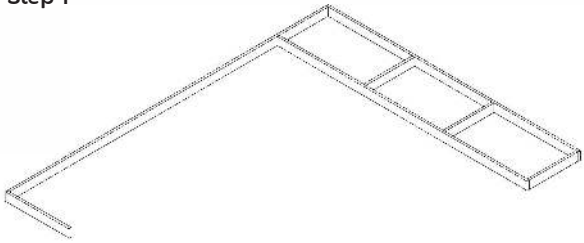
No .	Component Name	Quantity
1	Large Desktop	1
2	Support Box 1	2
3	Support Box 2	1
4	Pedestal Side Panel	1
5	Pedestal Side Panel	1
6	Pedestal Shelf	2
7	Pedestal Cross Rail	1
8	Pedestal Inner Side Panel	1
9	Cross Rail	2
10	Front Panel	1
11	Top Panel	1
12	Bottom Panel	1
13	Side Panel	1
14	Back Panel	1
15	Inner Side Panel	2
16	End Panel	1
17	Hinge Strip	1
18	Decorative Panel	2
19	Door Panel	2
20	Drawer Front Panel	2

### Product Exploded View Diagram

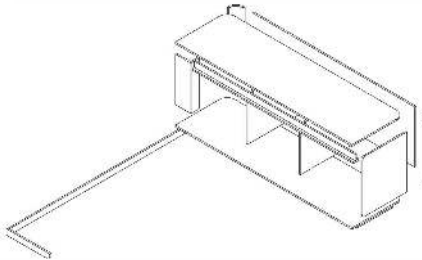


## Assembly Steps Diagram

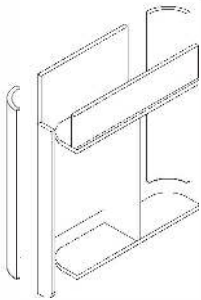
Step 1



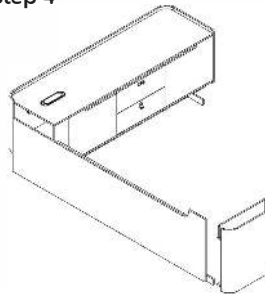
Step 2



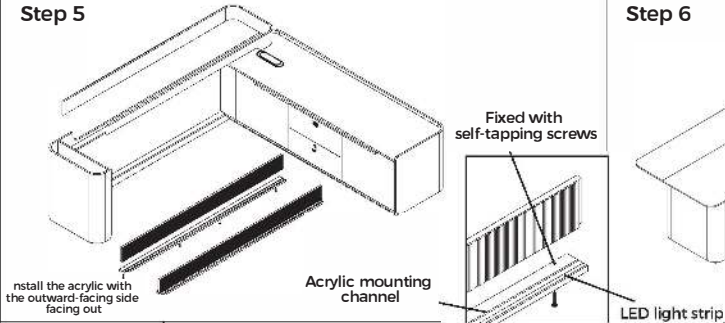
Step 3



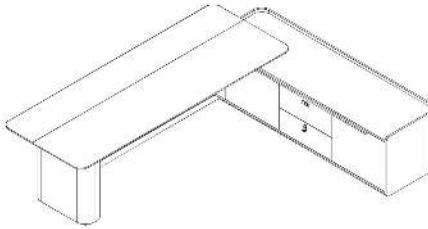
Step 4



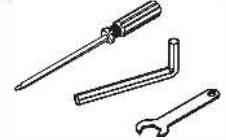
Step 5



Step 6



## Assembly Tools



Item No.	Part Name	Specifications	Illustration	Quantity
A	Cable box			1
B	Teardrop-shaped cooling fan			1
C	Three-in-one	Standard		144
D	Wooden dowel	Standard		64
E	Straight hinge for wooden doors			4
F	Three-section rail	14-inch		2
G	Combination lock			1
H	Single-hole leather pull handle			1
I	Self-tapping screws	4*16		68
J	Round-head self-tapping screws	4*30		16

Notes: 1.Place a soft material under the assembly area. 2.Handle with care to avoid scratches. 3.After assembly, wipe with a towel.