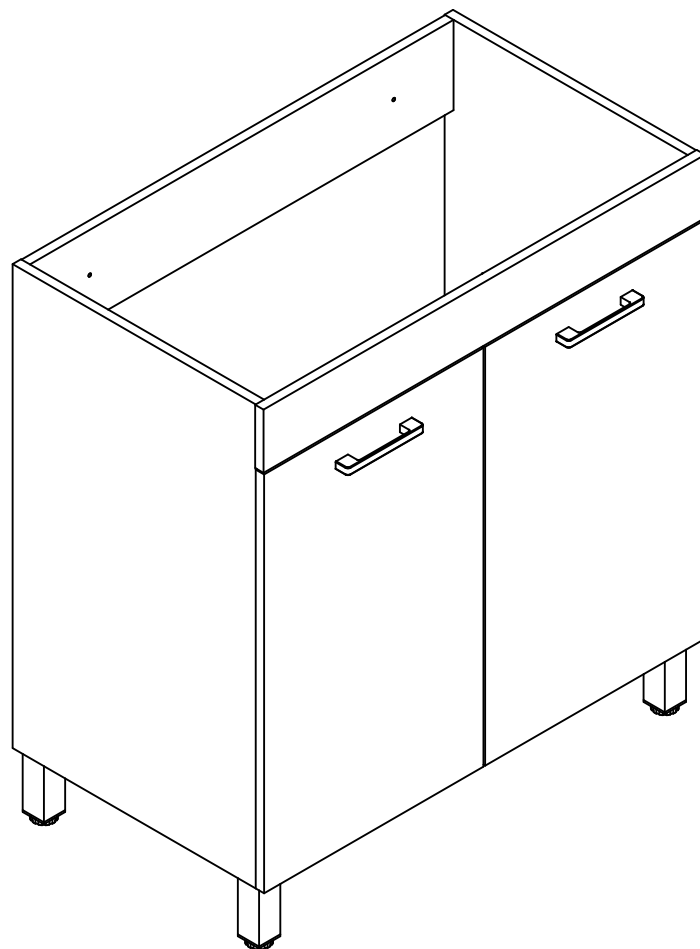

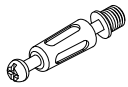
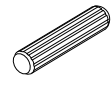
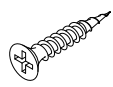
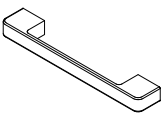
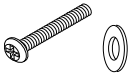
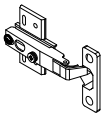


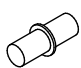
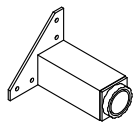
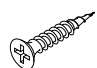


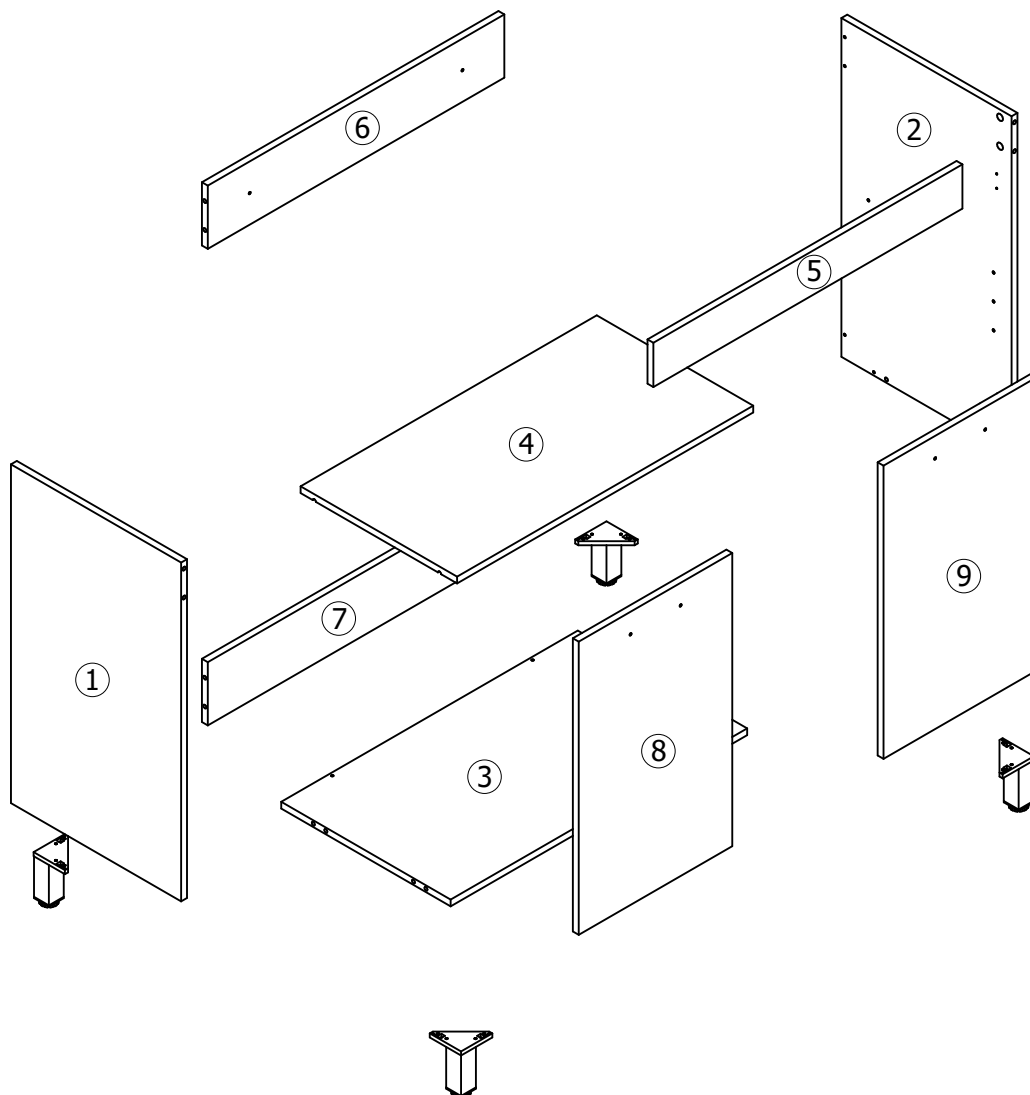
HN102-80FS 2door

Assembly Instructions



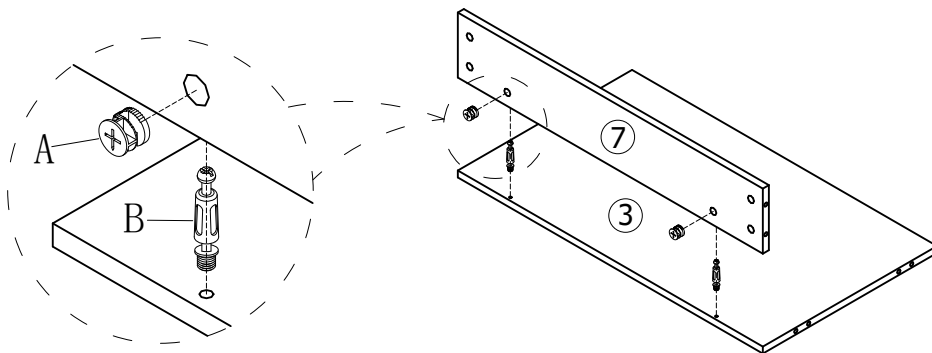
Assembly Instructions

<p>Ø15x11</p>  <p>A x 18</p>	<p>Ø7x35</p>  <p>B x 18</p>	<p>Ø8x30</p>  <p>C x 4</p>	<p>Ø4x16</p>  <p>D x 16</p>
 <p>E x 2</p>	<p>M4x20</p>  <p>F x 4</p>	<p>Full overlay hinge</p>  <p>G x 4</p>	<p>Ø7.8x38</p>  <p>H x 2</p>
<p>Ø5x70</p>  <p>I x 2</p>	<p>Ø5x16</p>  <p>J x 4</p>	 <p>K x 4</p>	<p>Ø3.5x14</p>  <p>L x 24</p>



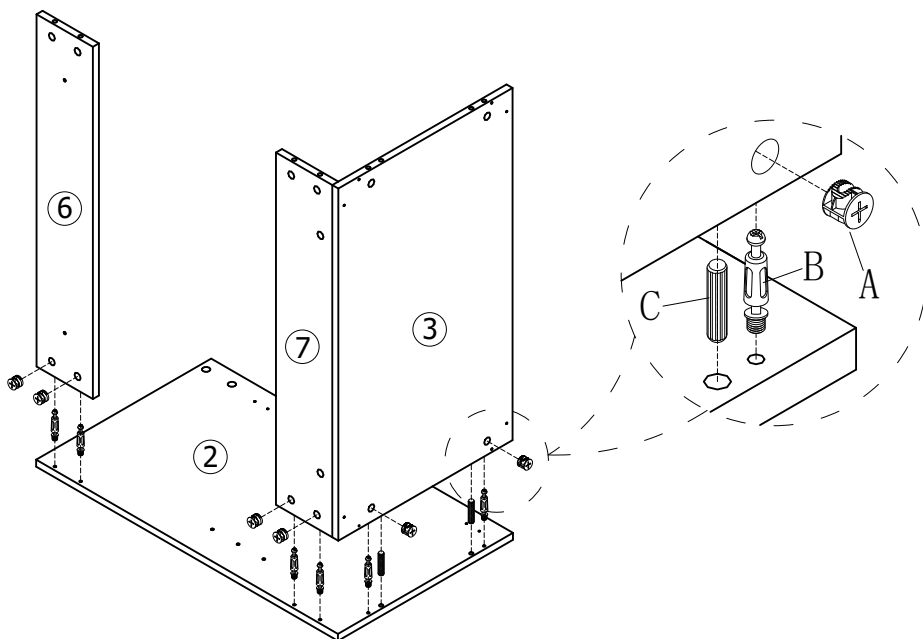
STEP 1

Ax2
Bx2



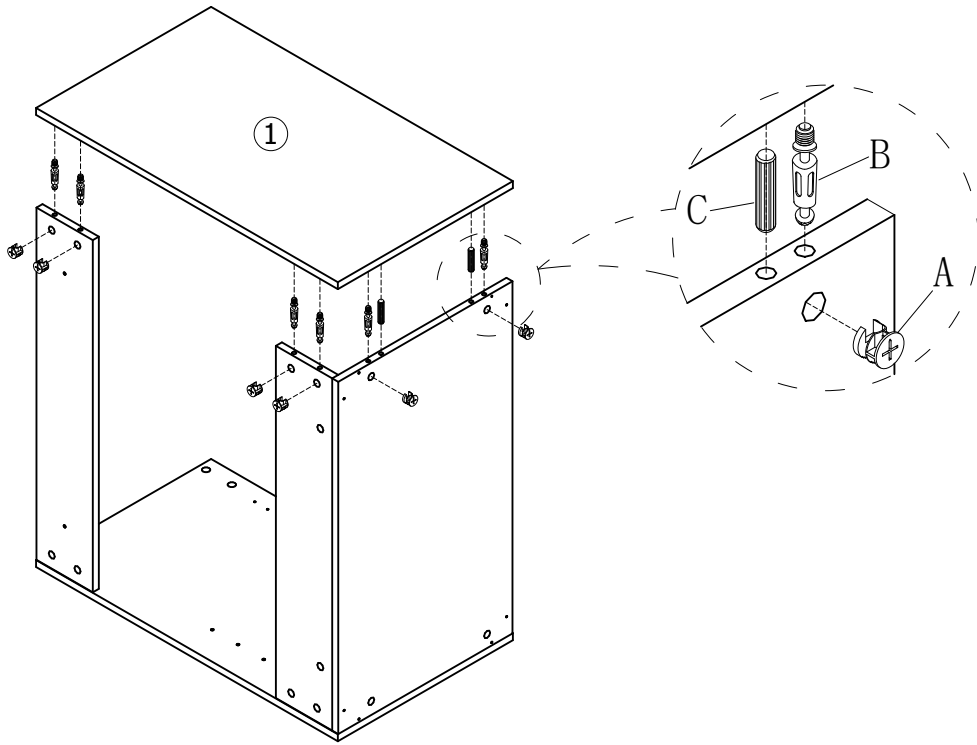
STEP 2

Ax6
Bx6
Cx2



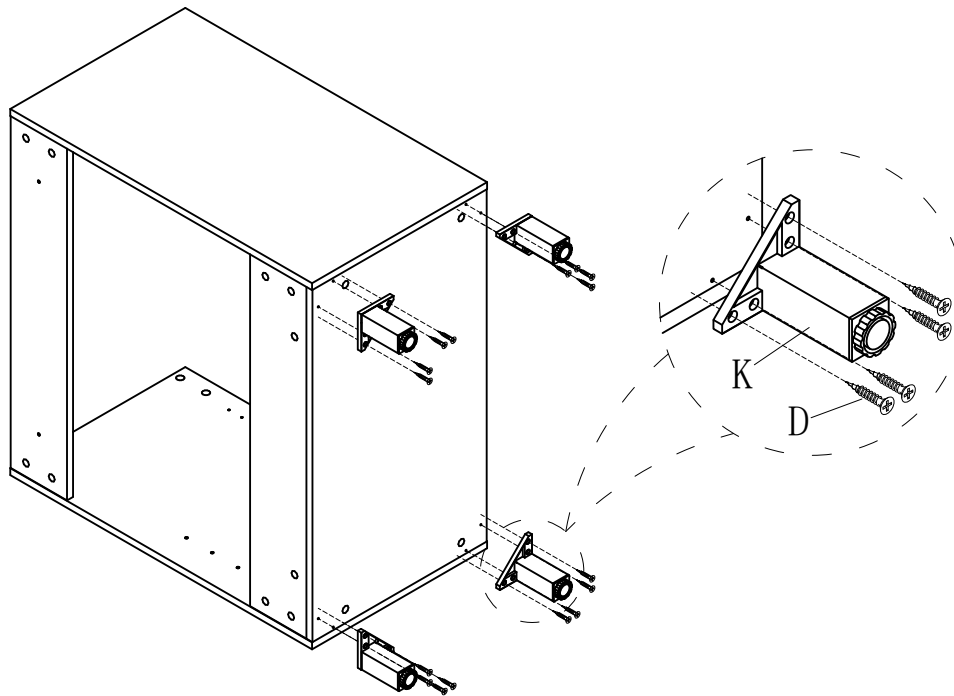
STEP 3

Ax6
Bx6
Cx2



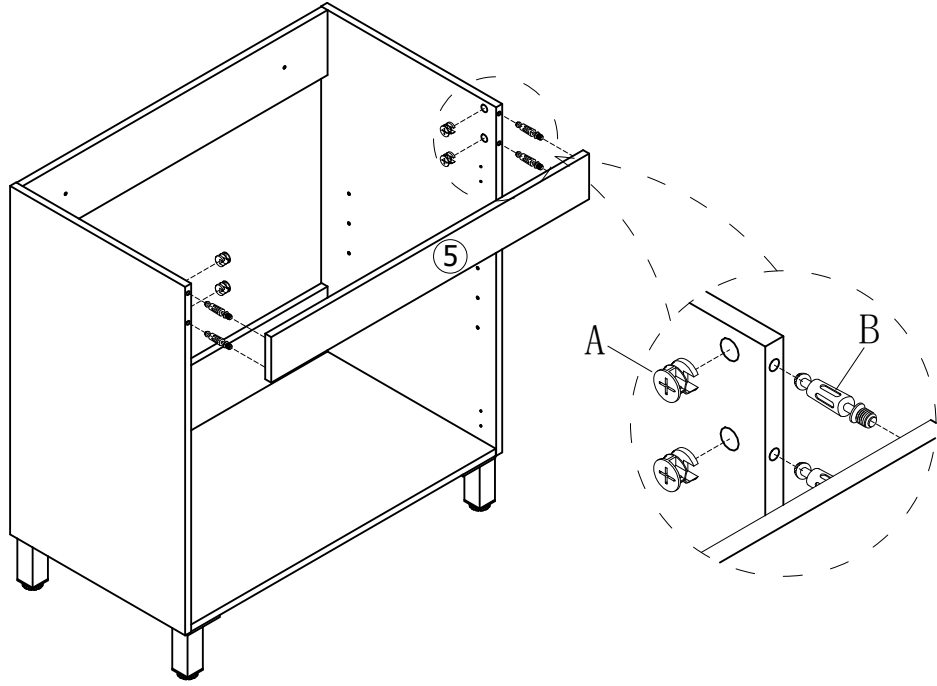
STEP 4

Dx16
Kx4



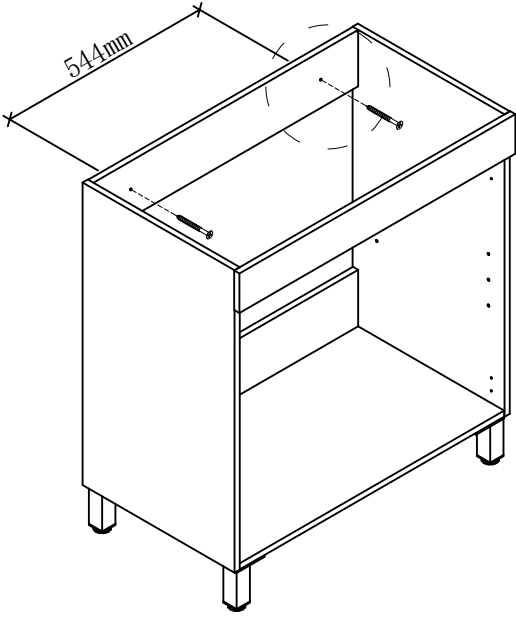
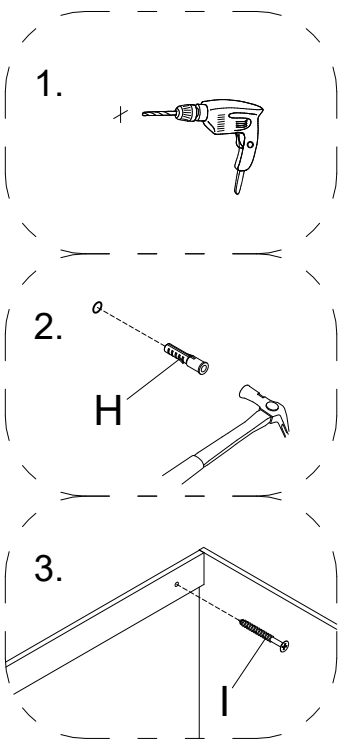
STEP 5

Ax4
Bx4



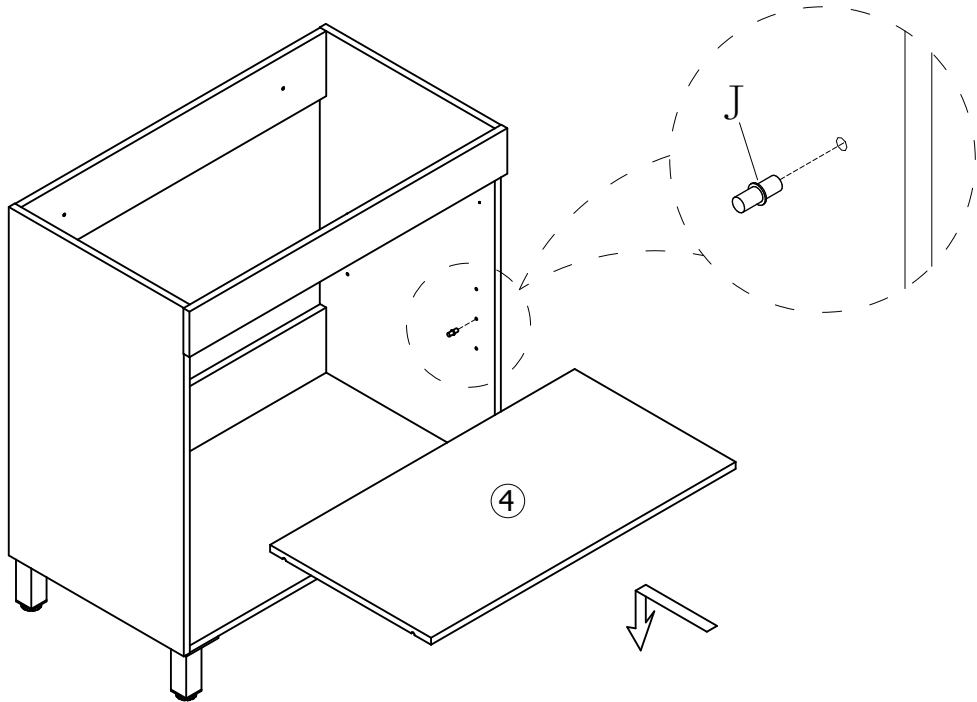
STEP 6

Hx2
Ix2



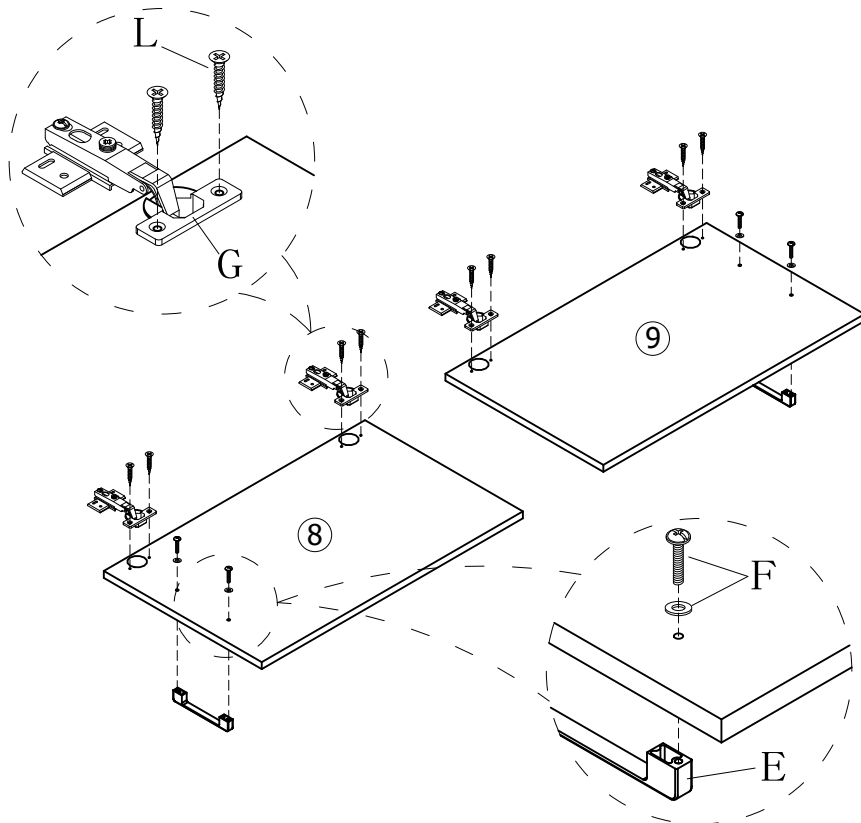
STEP 7

Jx4



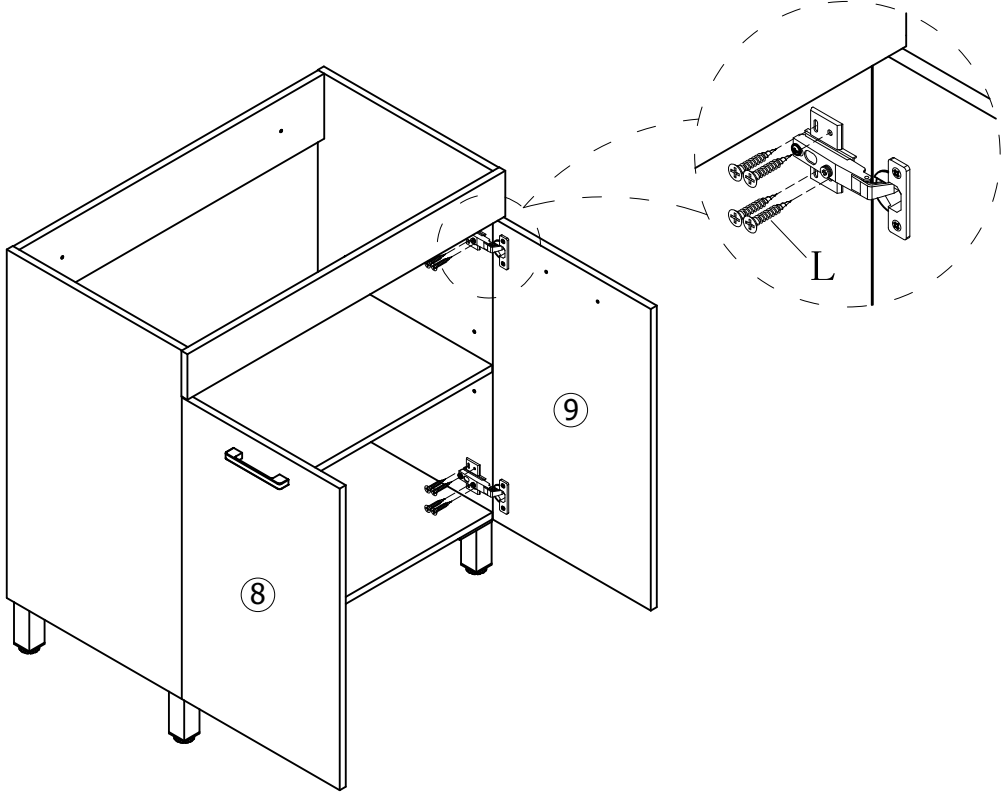
STEP 8

Ex2
Fx4
Gx4
Lx8

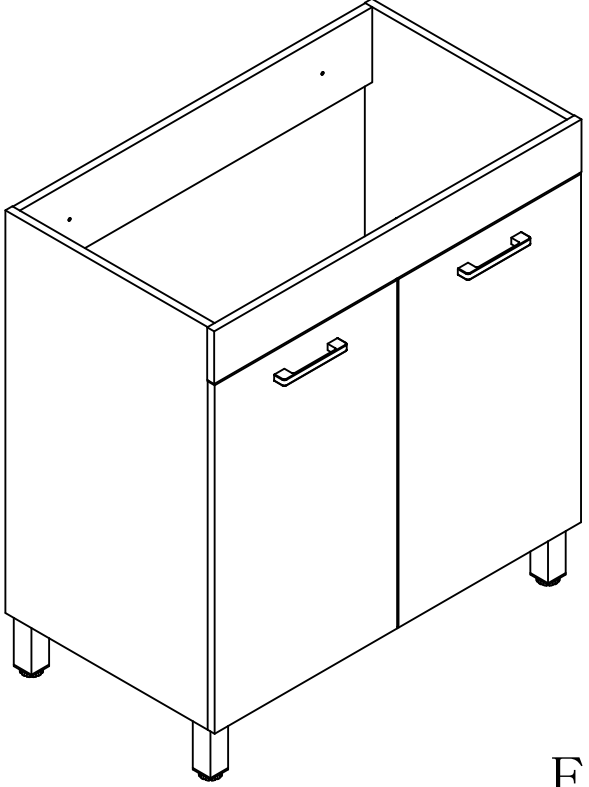


STEP 9

Lx16



STEP 10



FINISH