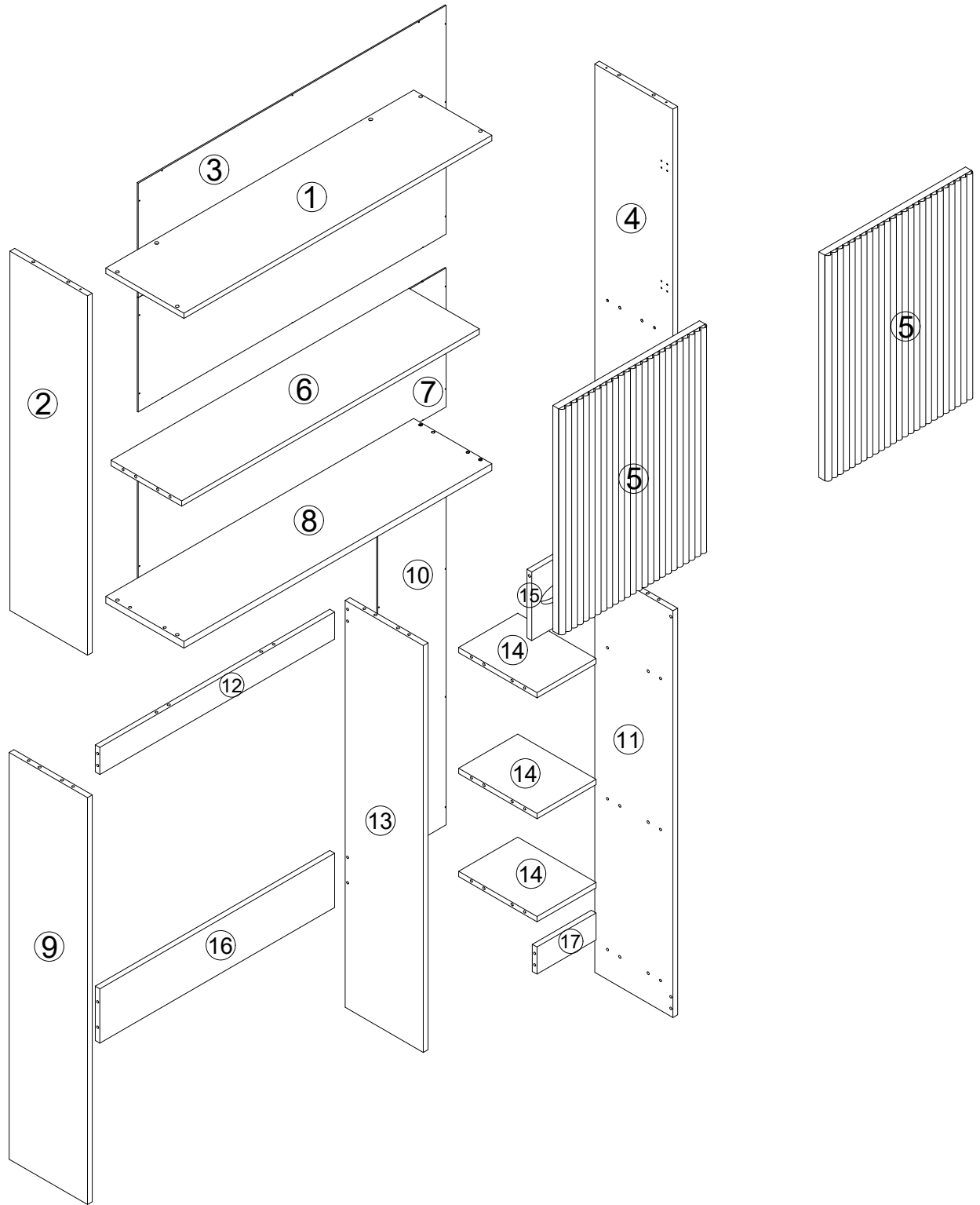
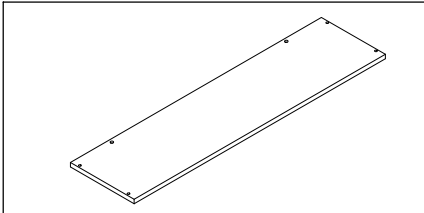


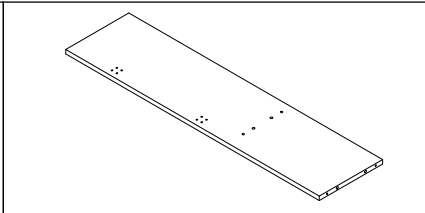
Installation instruction





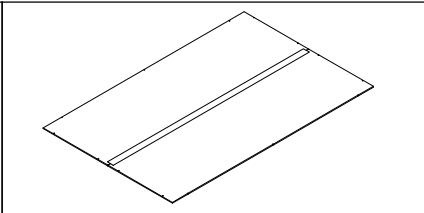
①

1pcs



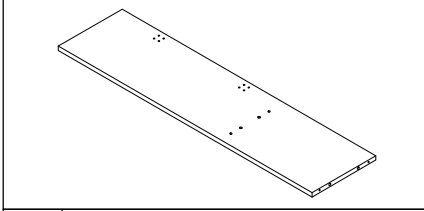
②

1pcs



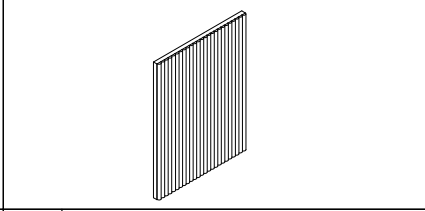
③

1pcs



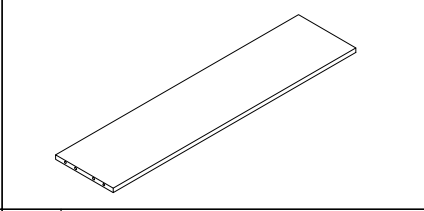
④

1pcs



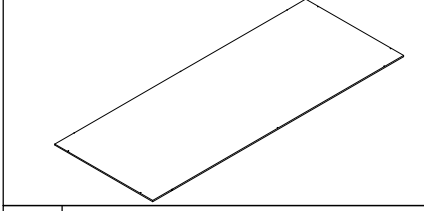
⑤

2pcs



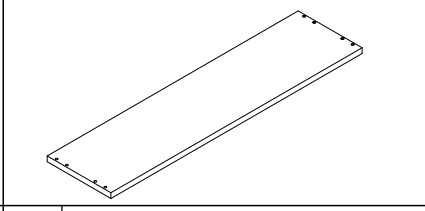
⑥

1pcs



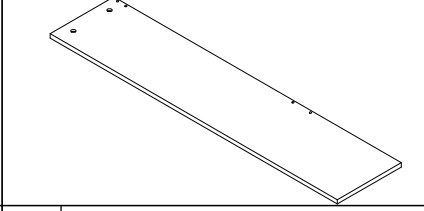
⑦

1pcs



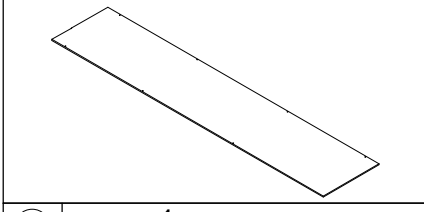
⑧

1pcs



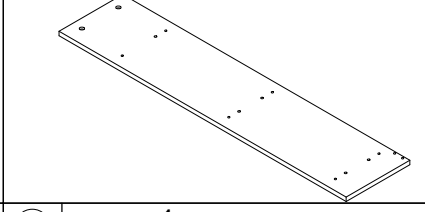
⑨

1pcs



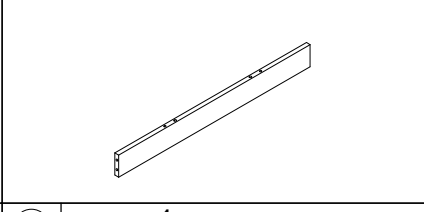
⑩

1pcs



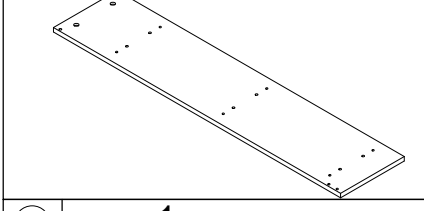
⑪

1pcs



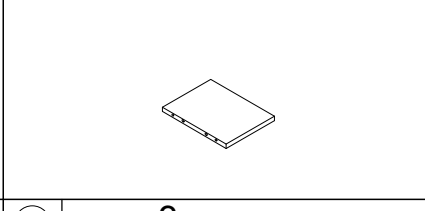
⑫

1pcs



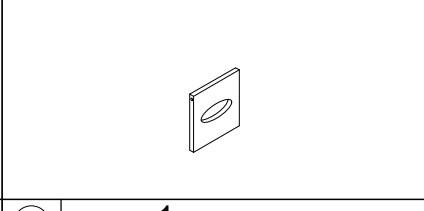
⑬

1pcs



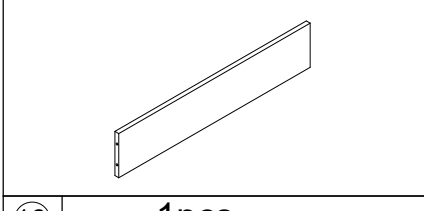
⑭

3pcs



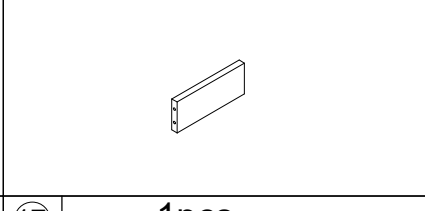
⑮

1pcs



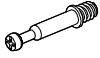


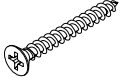


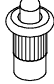
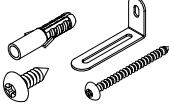
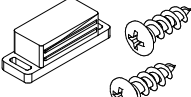
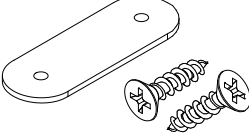
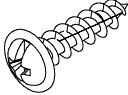
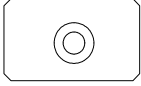
⑯

1pcs



⑰

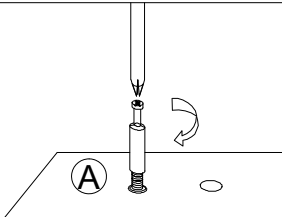
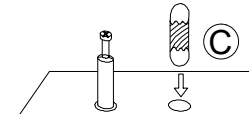
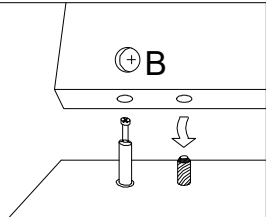
1pcs

	 Cam bolt	 Cam Lock	 6x30mm Wood dowel	 4x40mm			
A	36+2pcs	B	36+2pcs	C	32+2pcs	D	10pcs
			 3.5x12mm				
E	4pcs	F	24+2pcs	G	2pcs	H	2pcs
	 3x14MM						
I	1pcs	J	1pcs	K	29+2pcs	L	4pcs

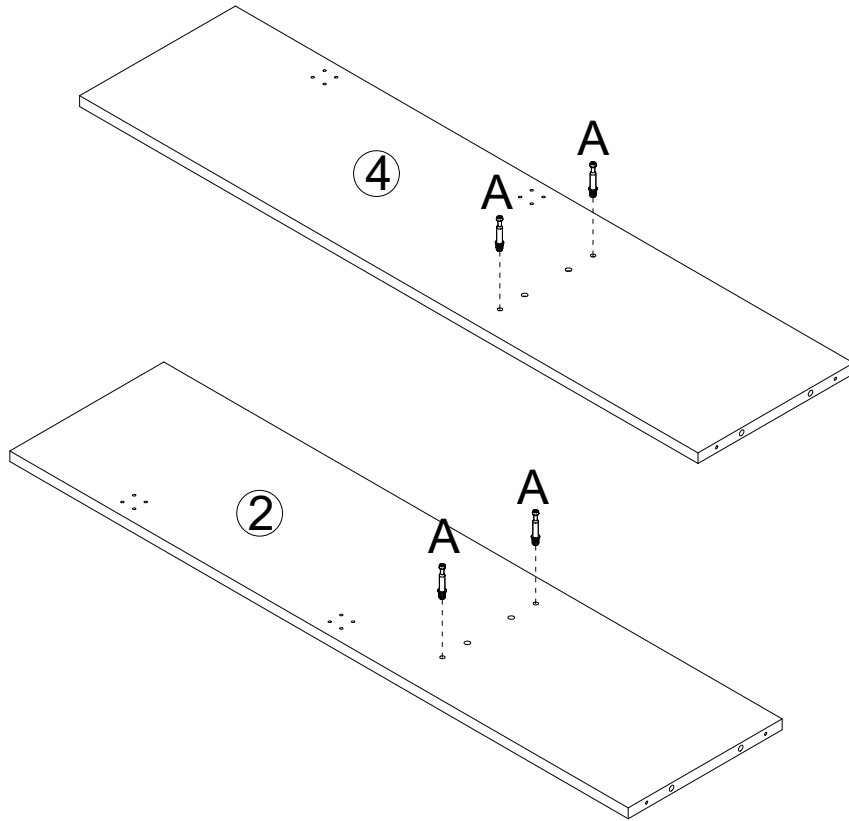


SPARE BAG

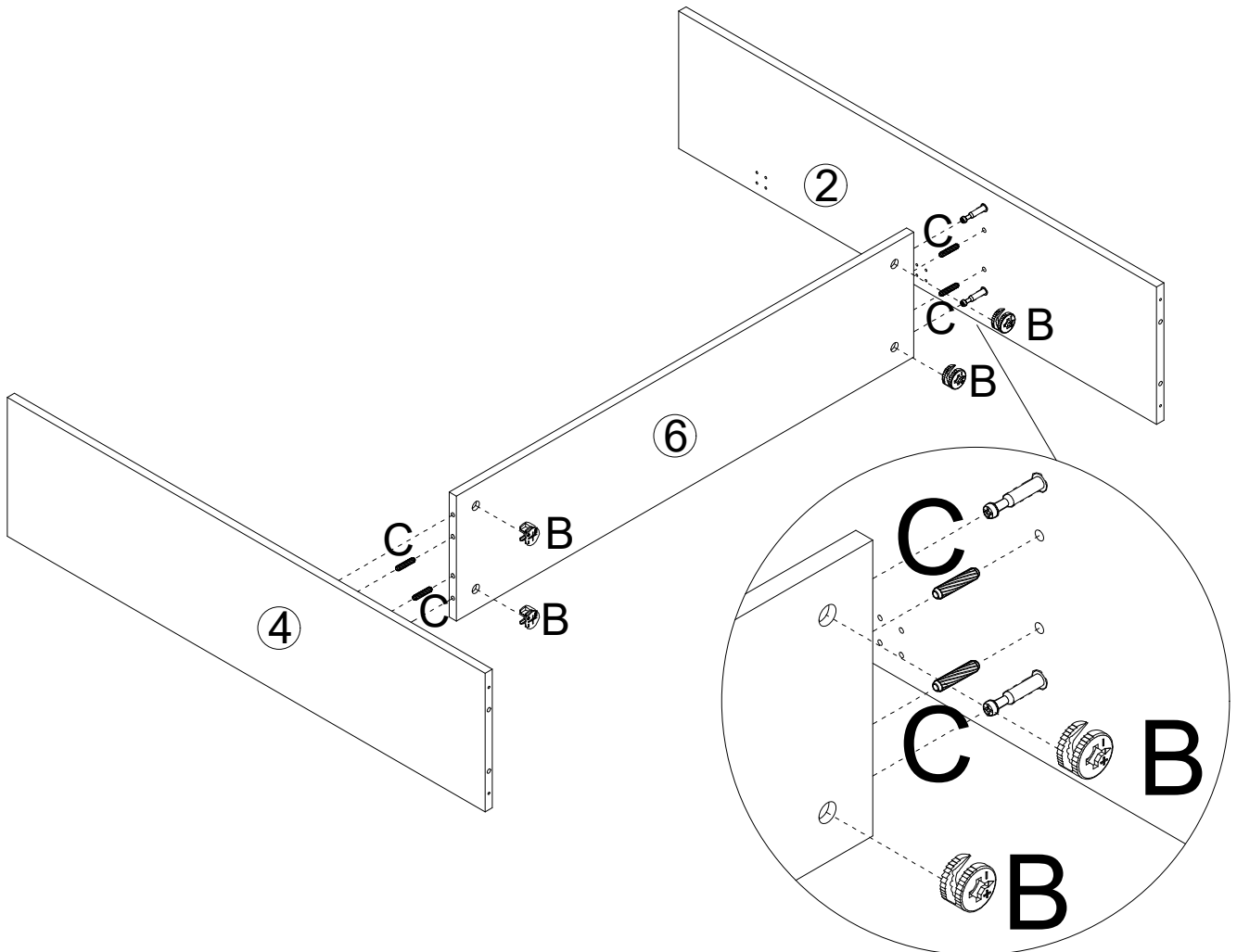
THE SPARE BAG INCLUDED EXTRA HARDWARE FOR DAMAGED OR MISSING SMALL HARDWARE WHILE YOU ARE ASSEMBLING

		
Gently screw cam bolt into the threaded anchor.	Insert the wood dowel halfway into hole.	Screw the camlock firmly into locked position.

1

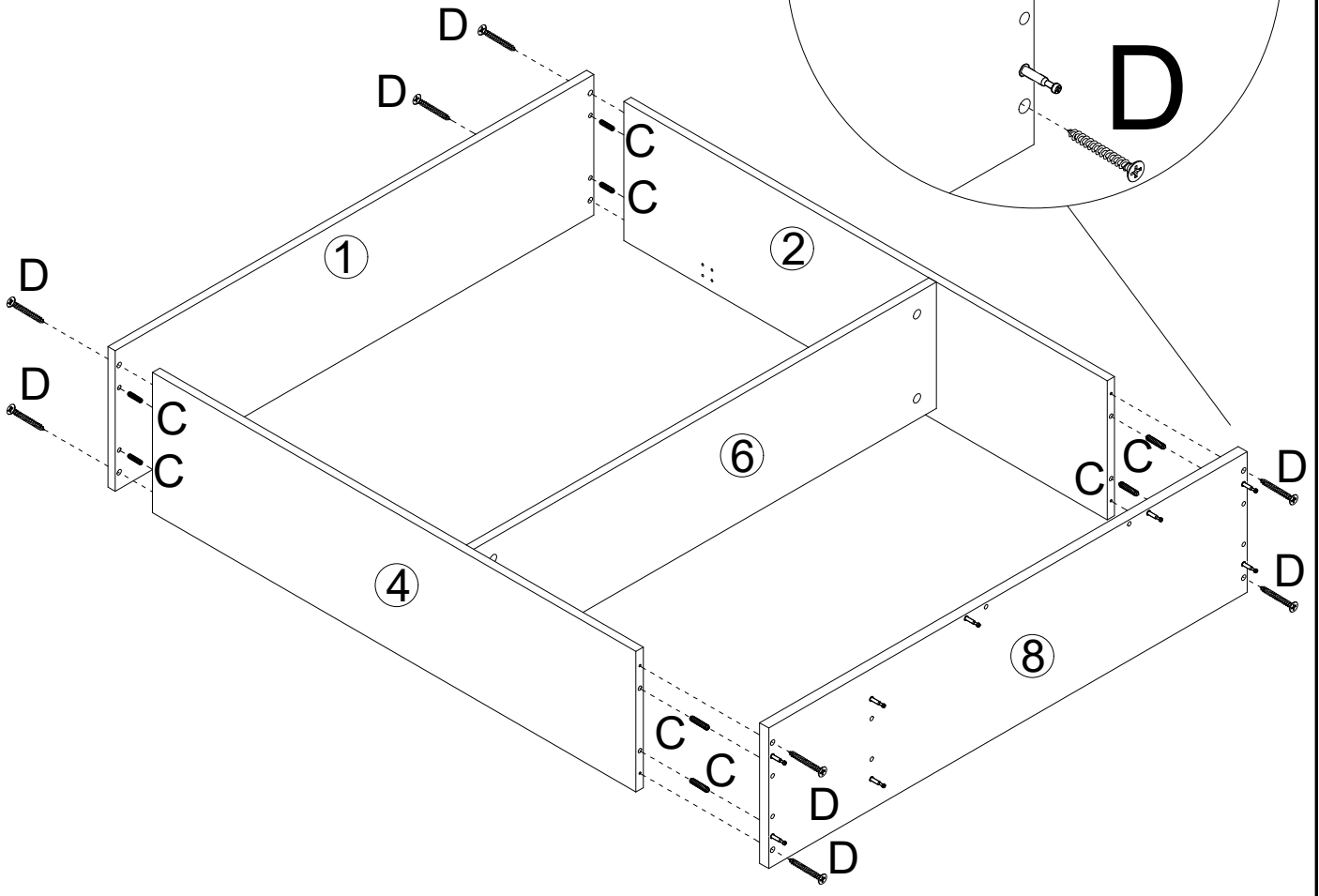
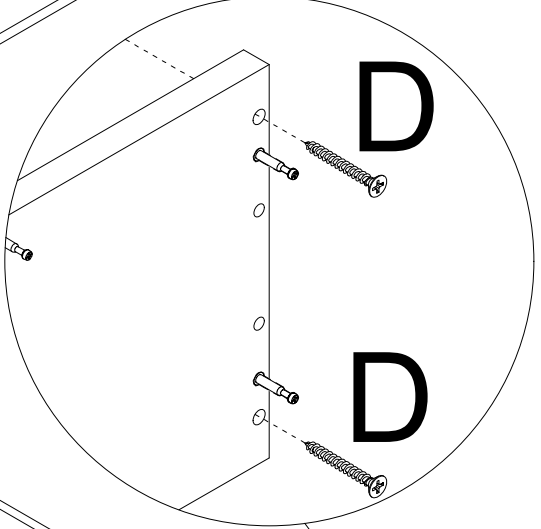
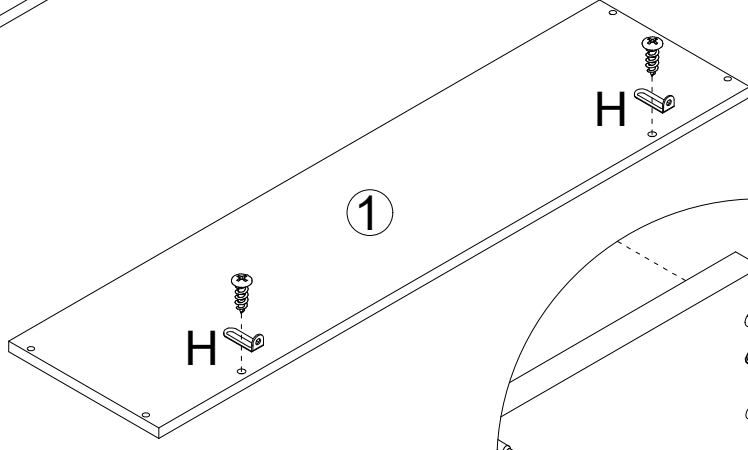
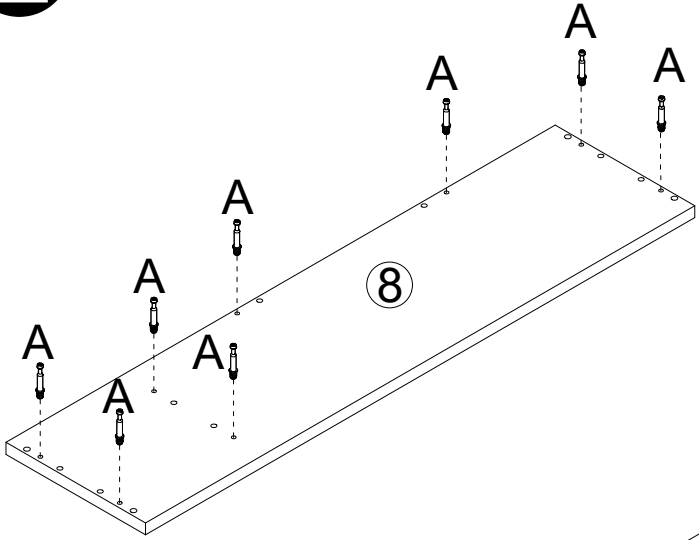


- | | |
|---|----|
| A | X4 |
| B | X4 |
| C | X4 |

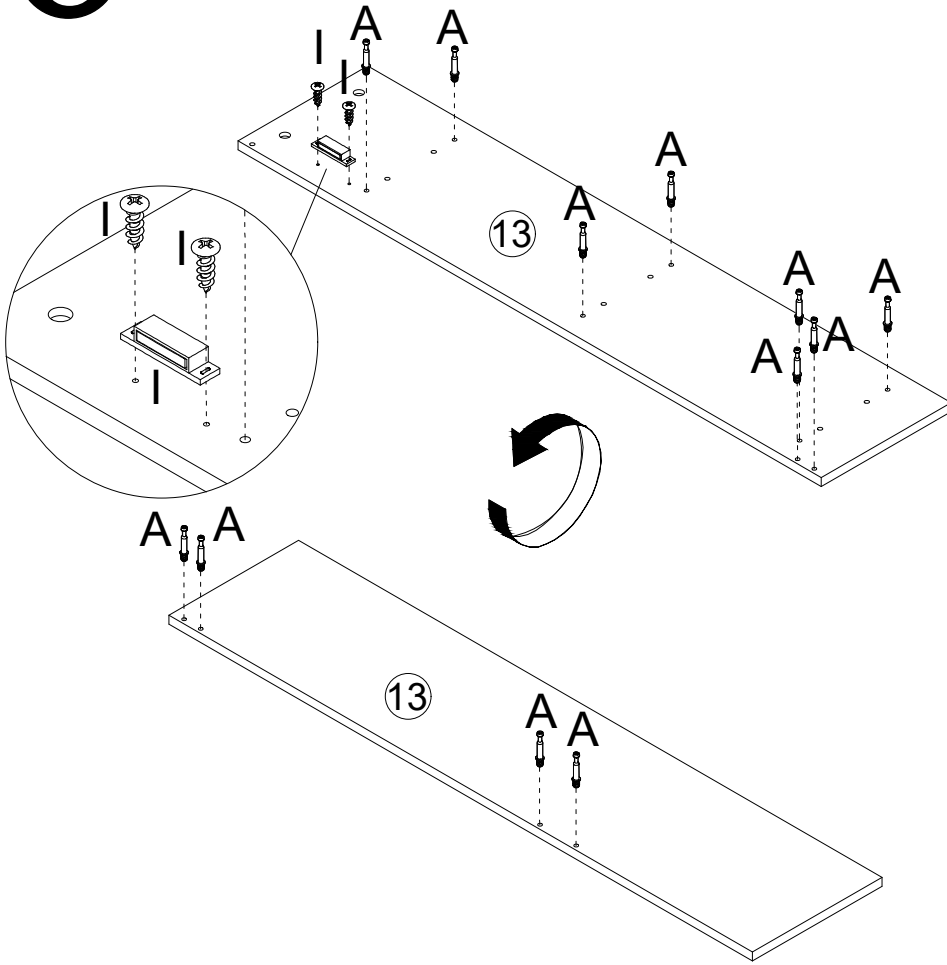


2

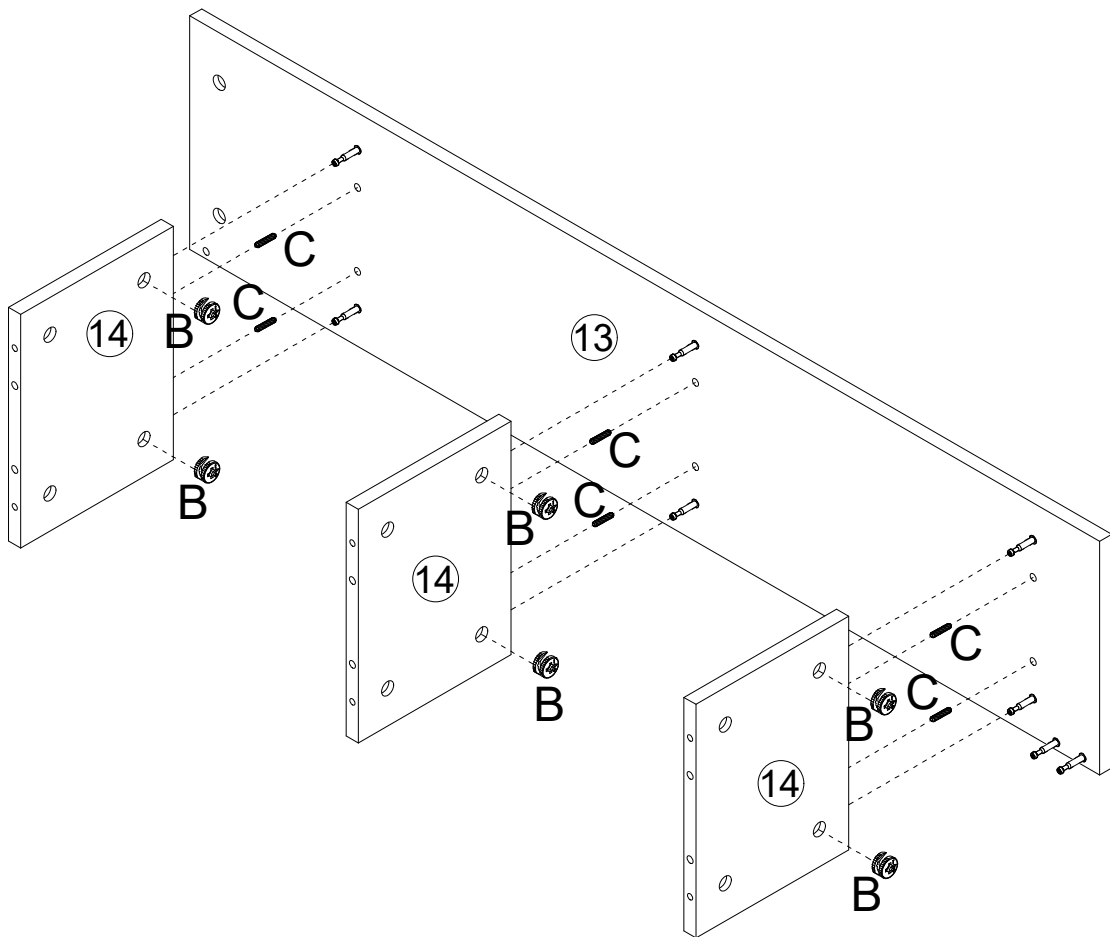
- A X8
- C X8
- D X8
- H X2



3

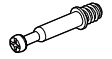


- A X12
- B X6
- C X6
- I X1

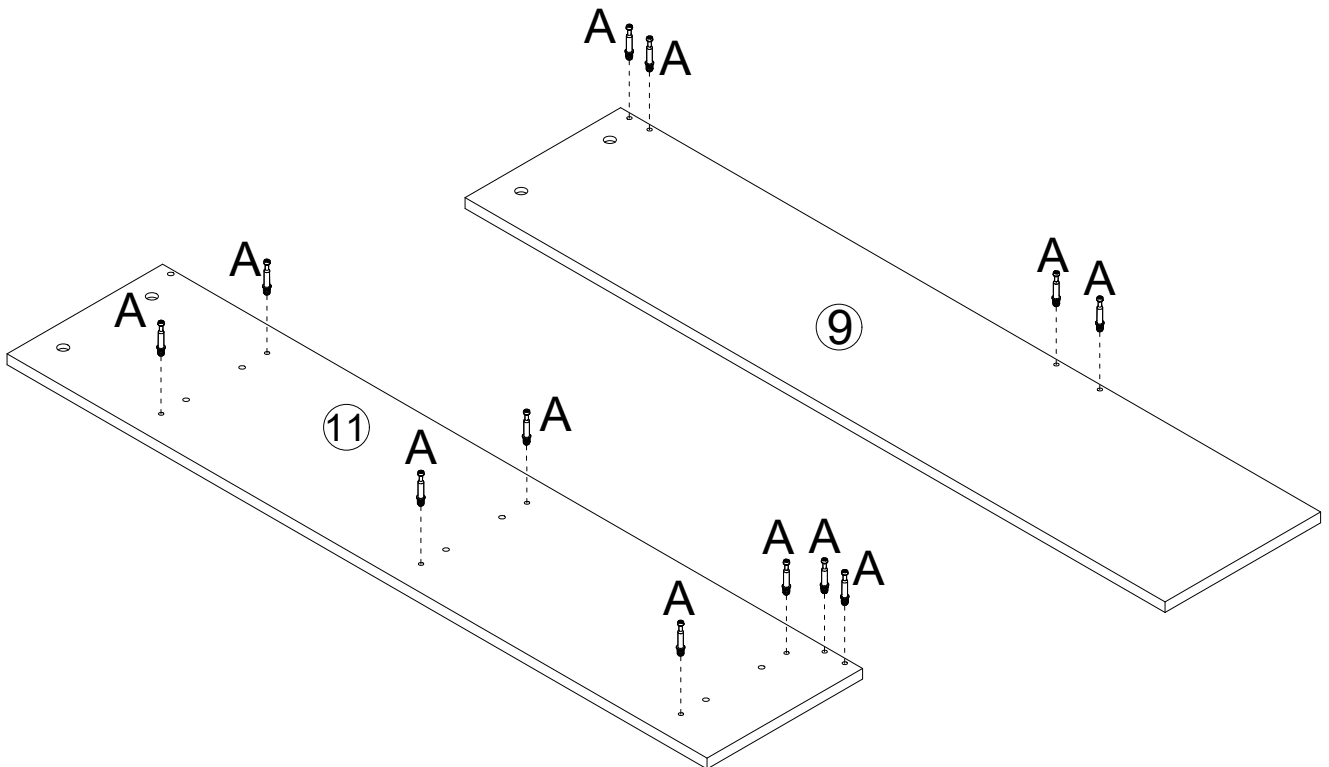
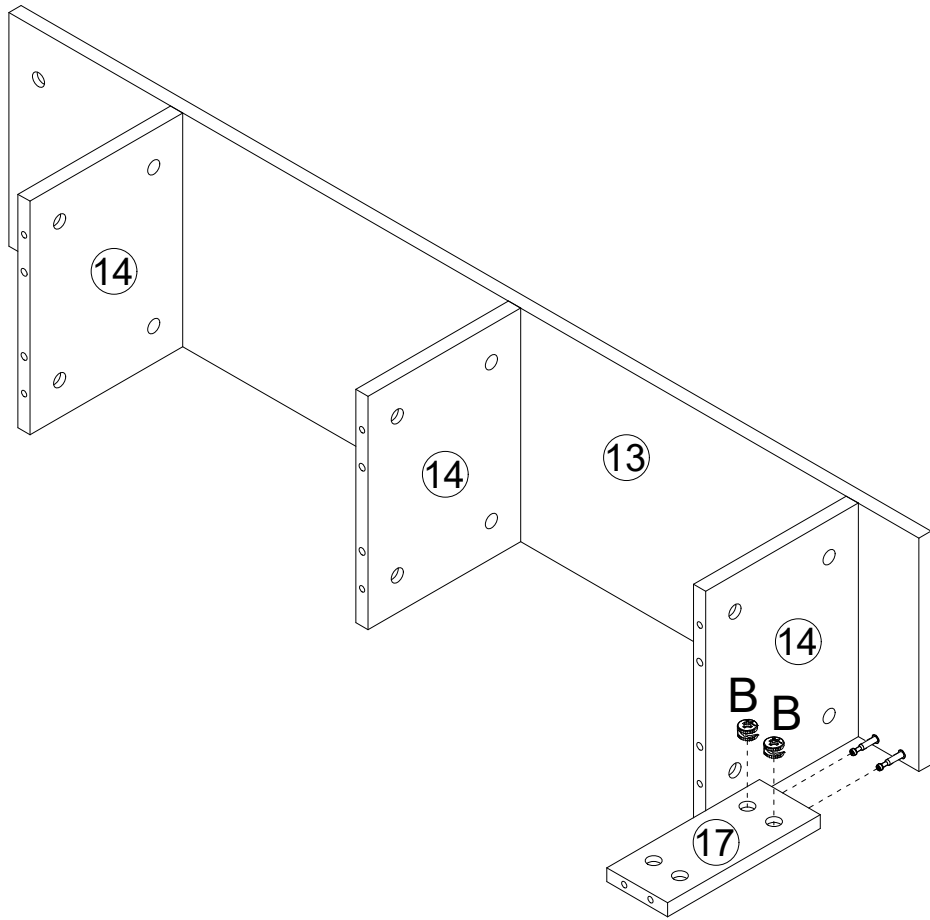


4



A X12

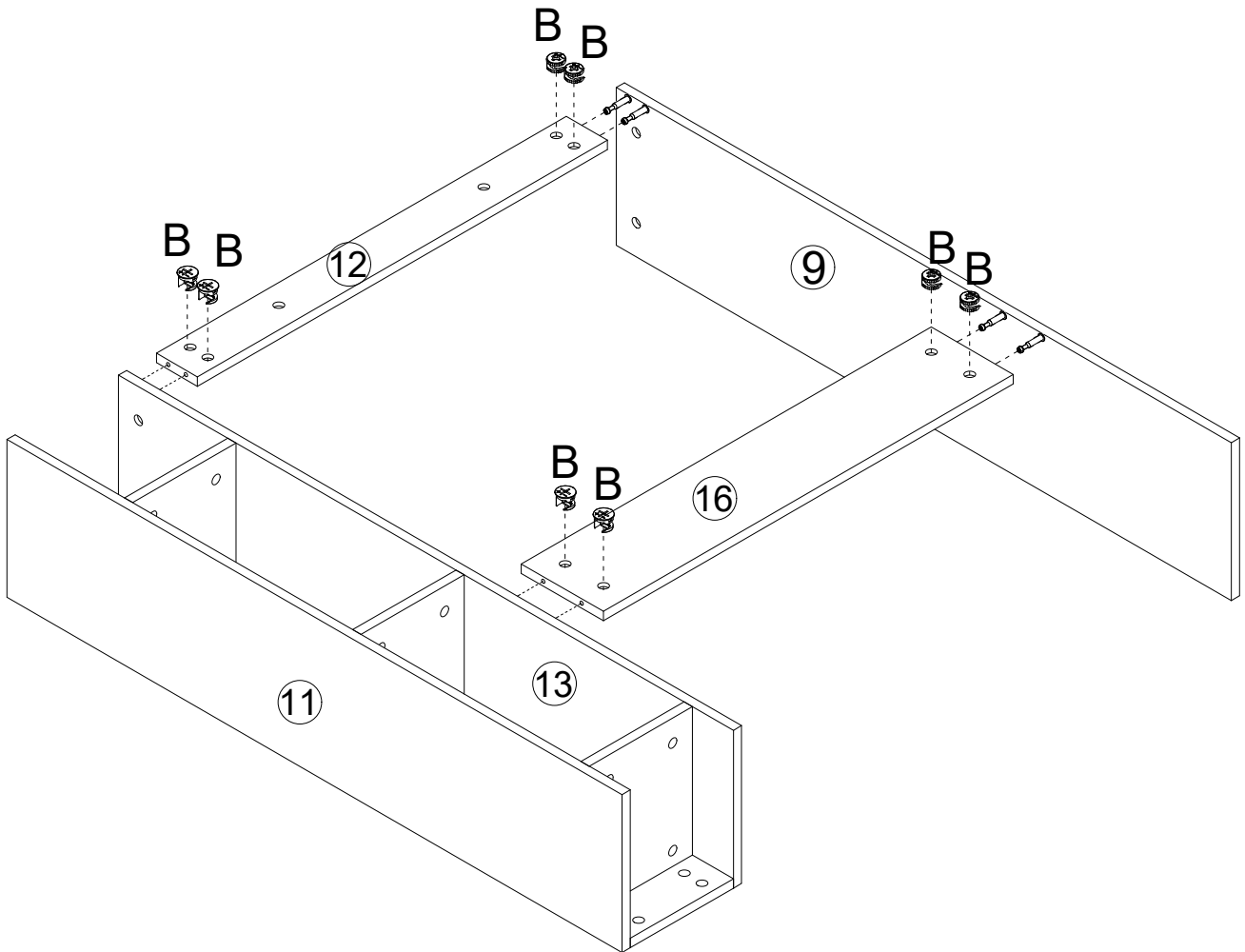
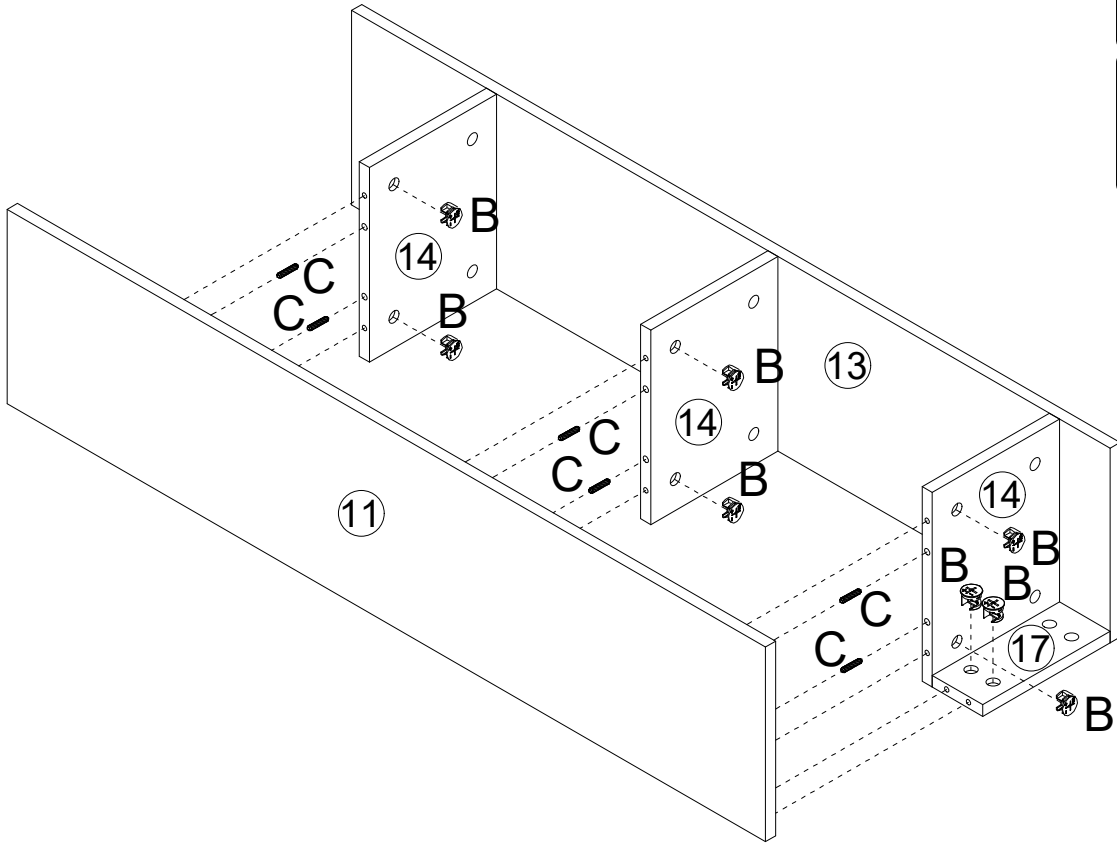


B X2





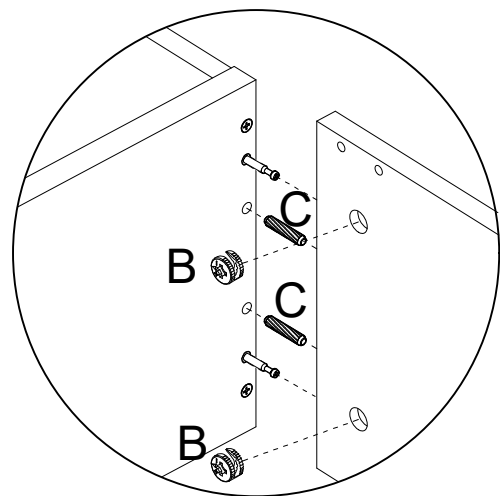
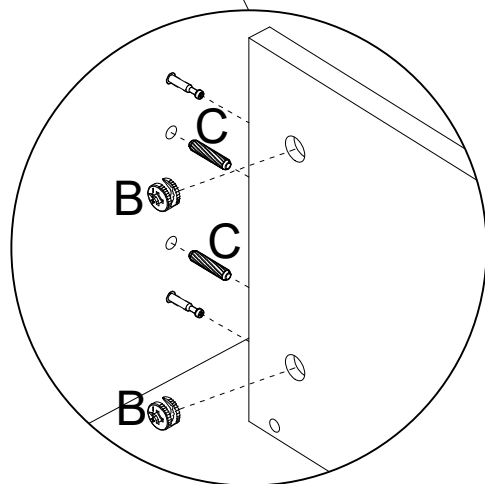
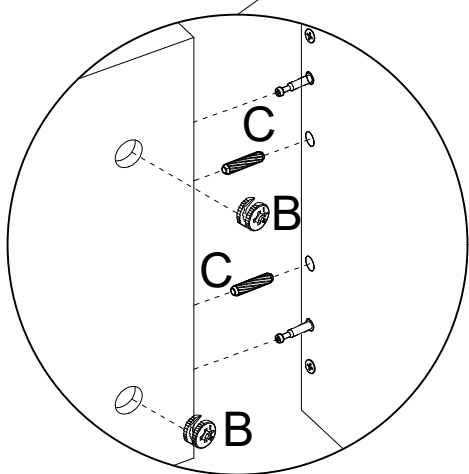
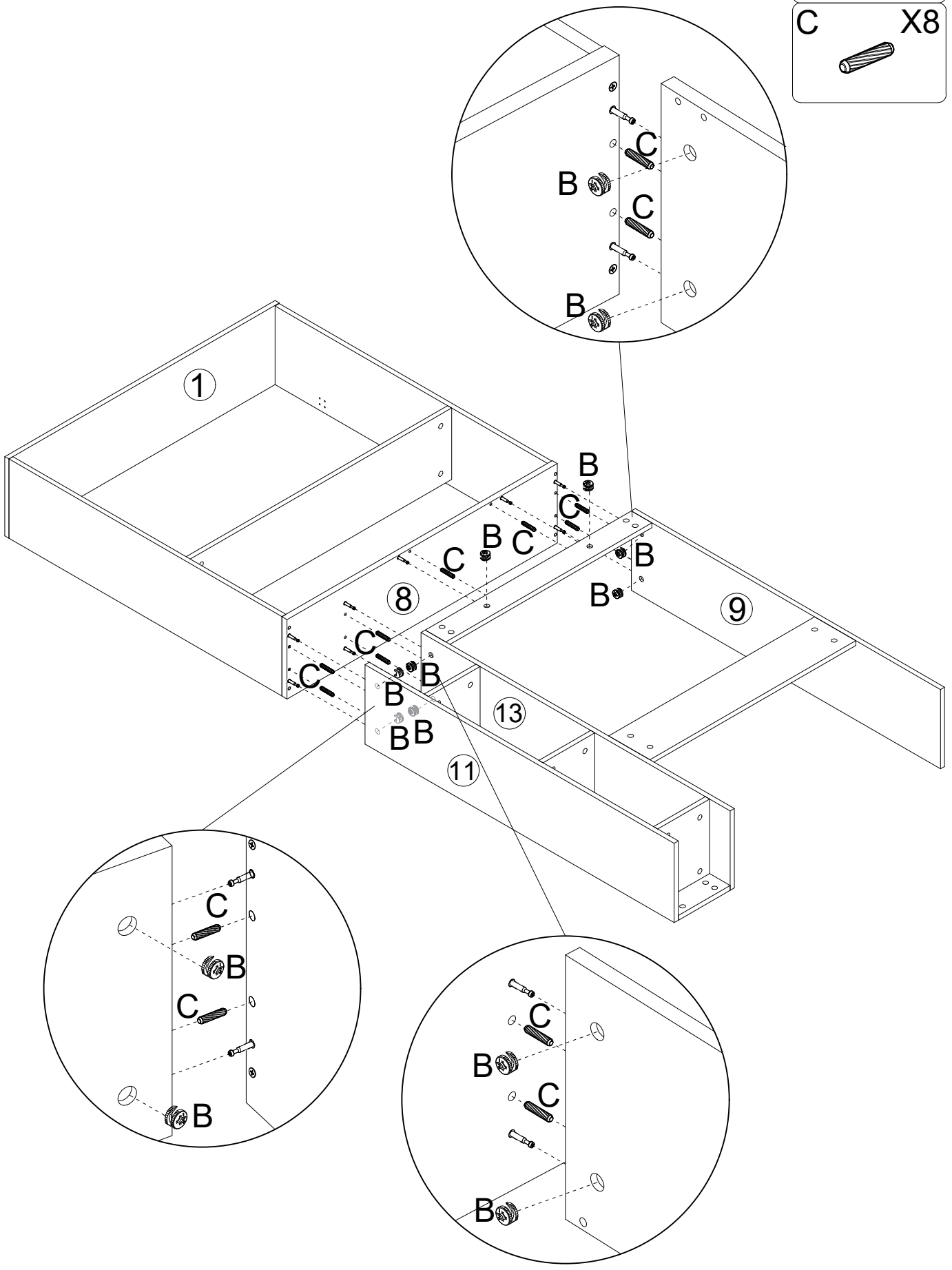
5

B	X16
	
C	X6
	

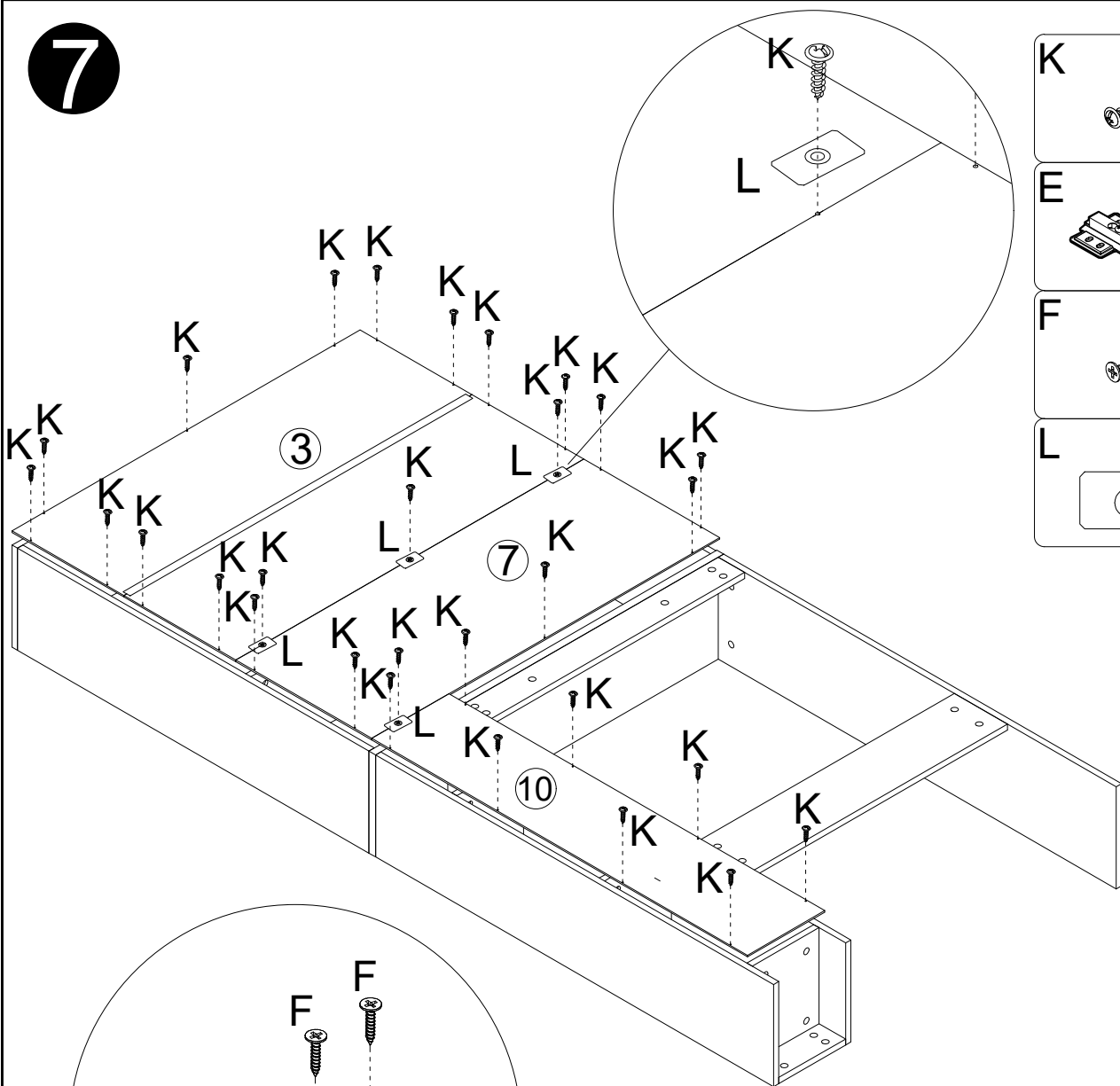






6

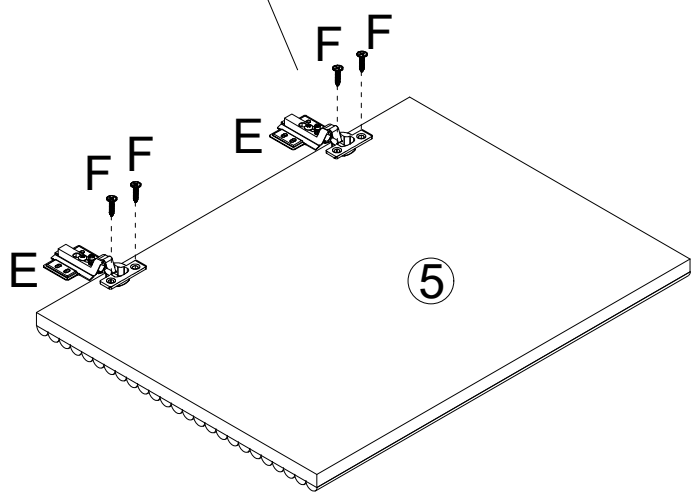
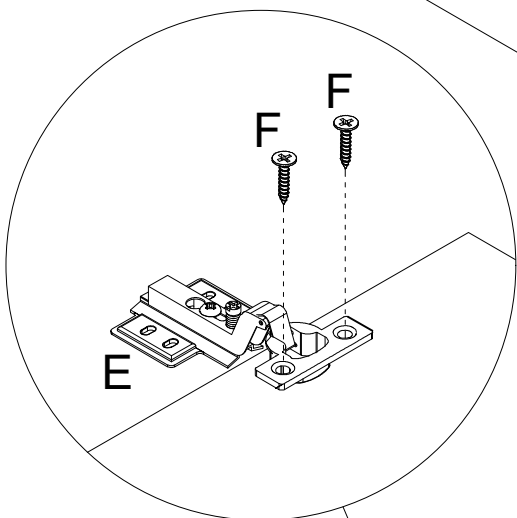
B	X8
	
C	X8
	



7

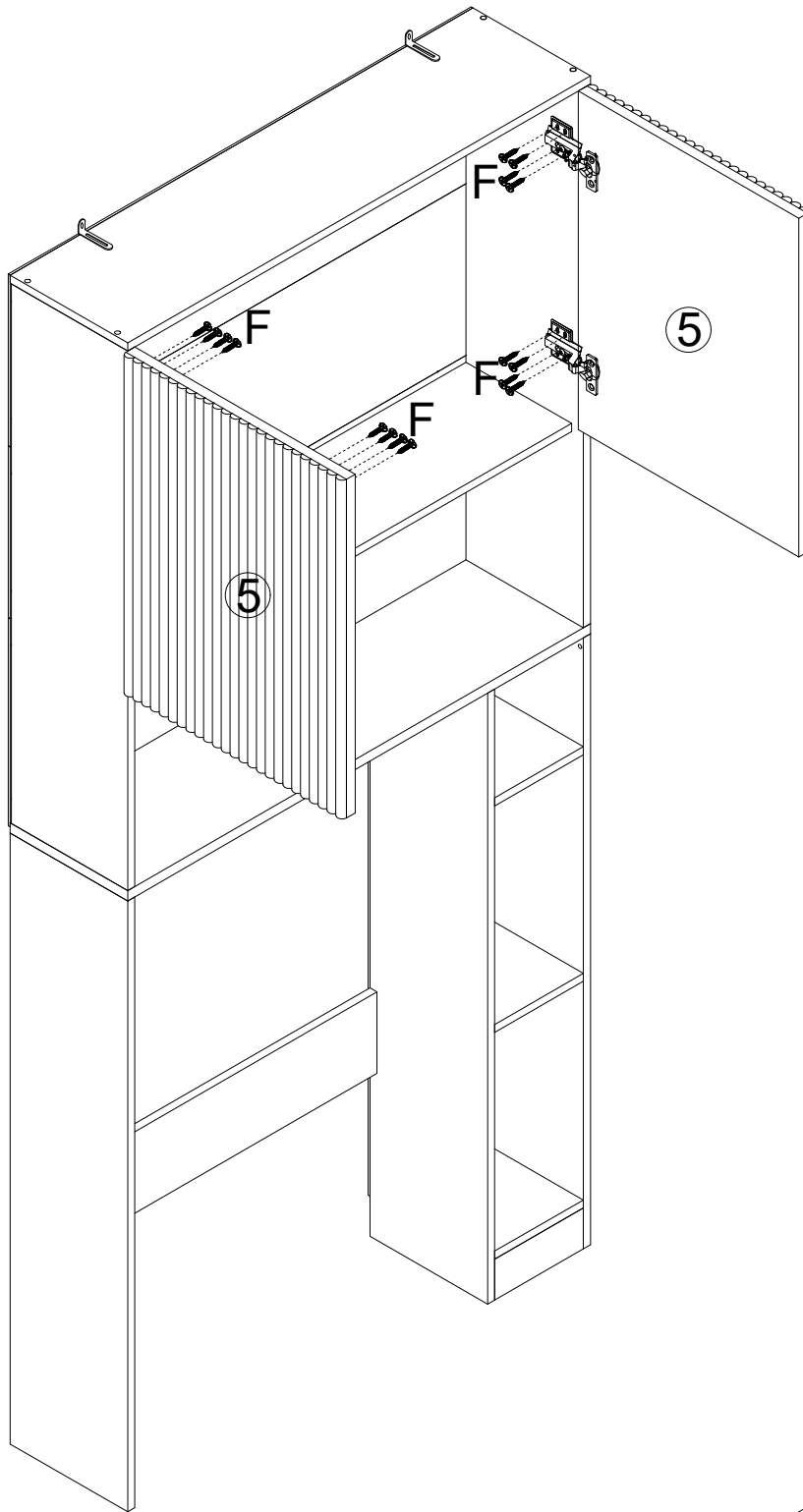


- K X29

- E X4

- F X8

- L X4


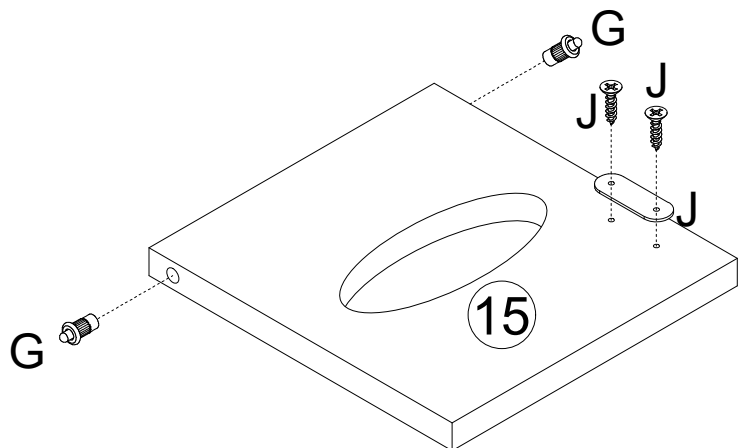


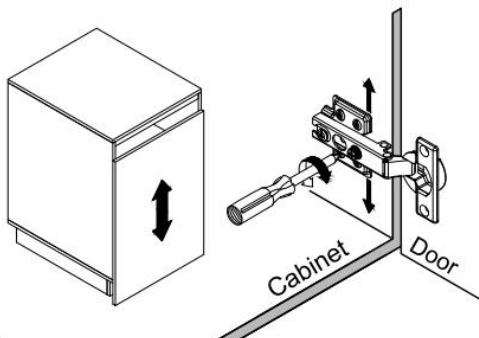
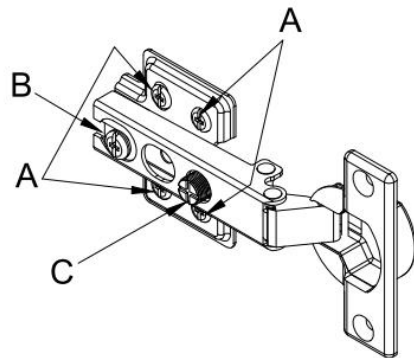
X2

8



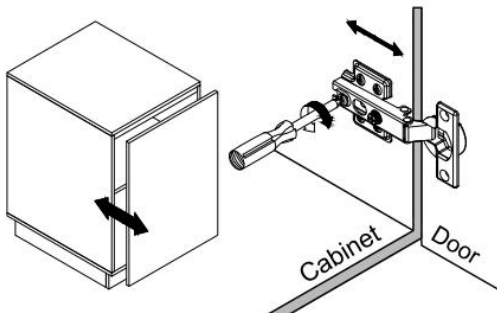
- | | |
|---|-----|
| F | X16 |
| G | X2 |
| J | X1 |
-





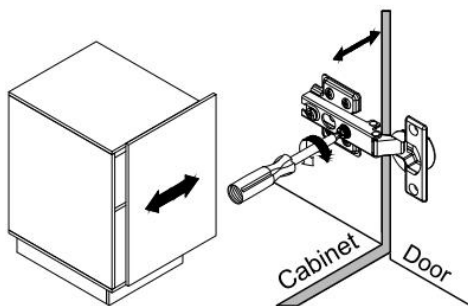
To adjust the vertical height.

Loosen the four screws "A" on both hinges. Two of them are usually in slotted holes which allows you to adjust up or down by a few mm. Then tighten back up.



To adjust depth.

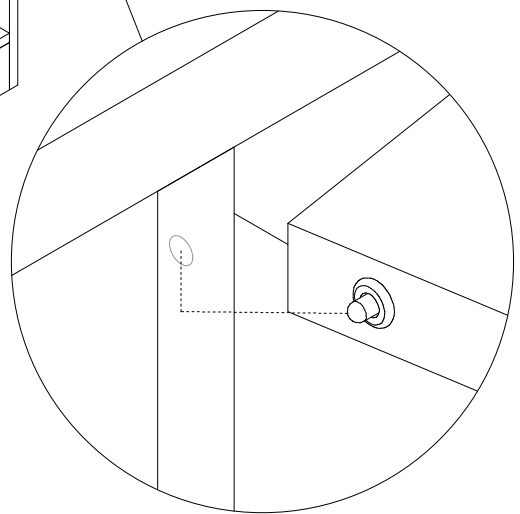
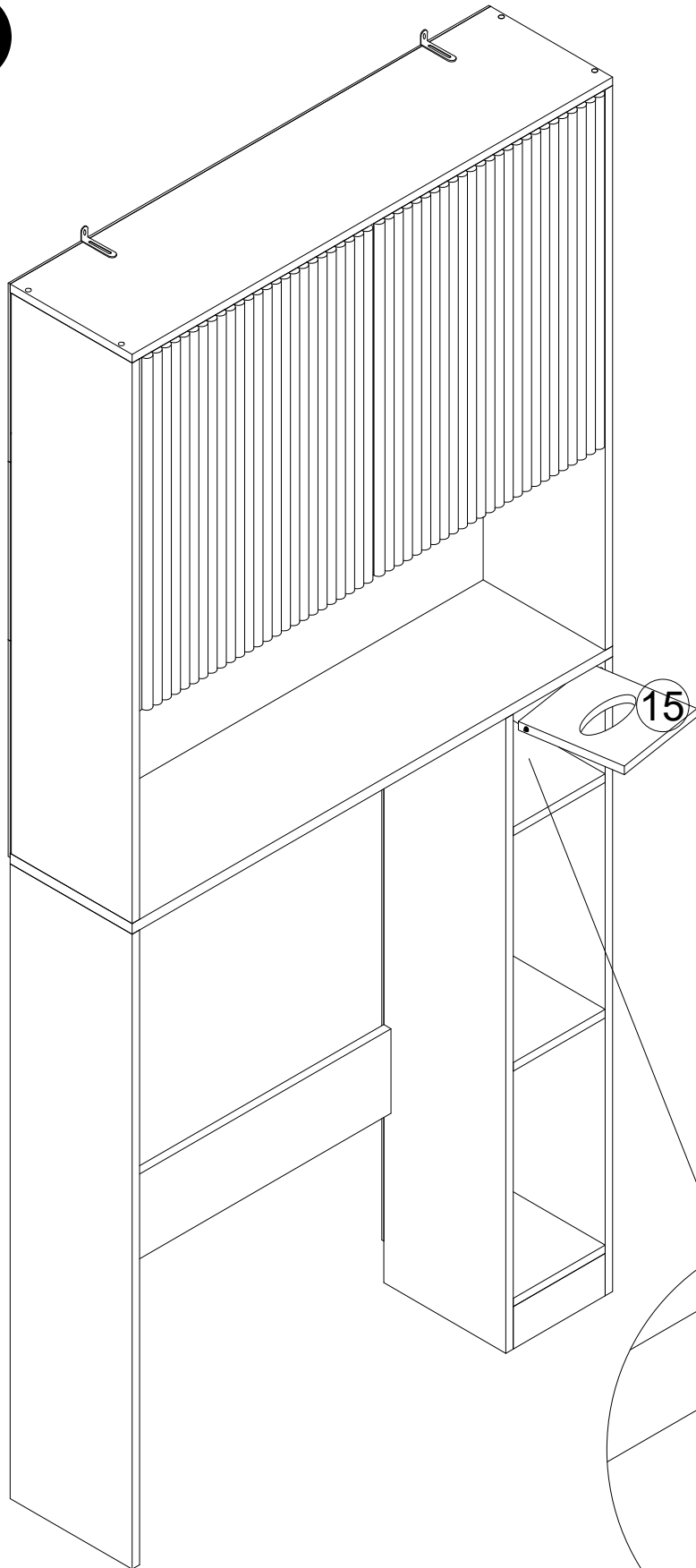
Loosen screw "B" and adjust door, if the door can not be adjusted, please loosen screw "C", then try again. Tighten screw "B" and "C".



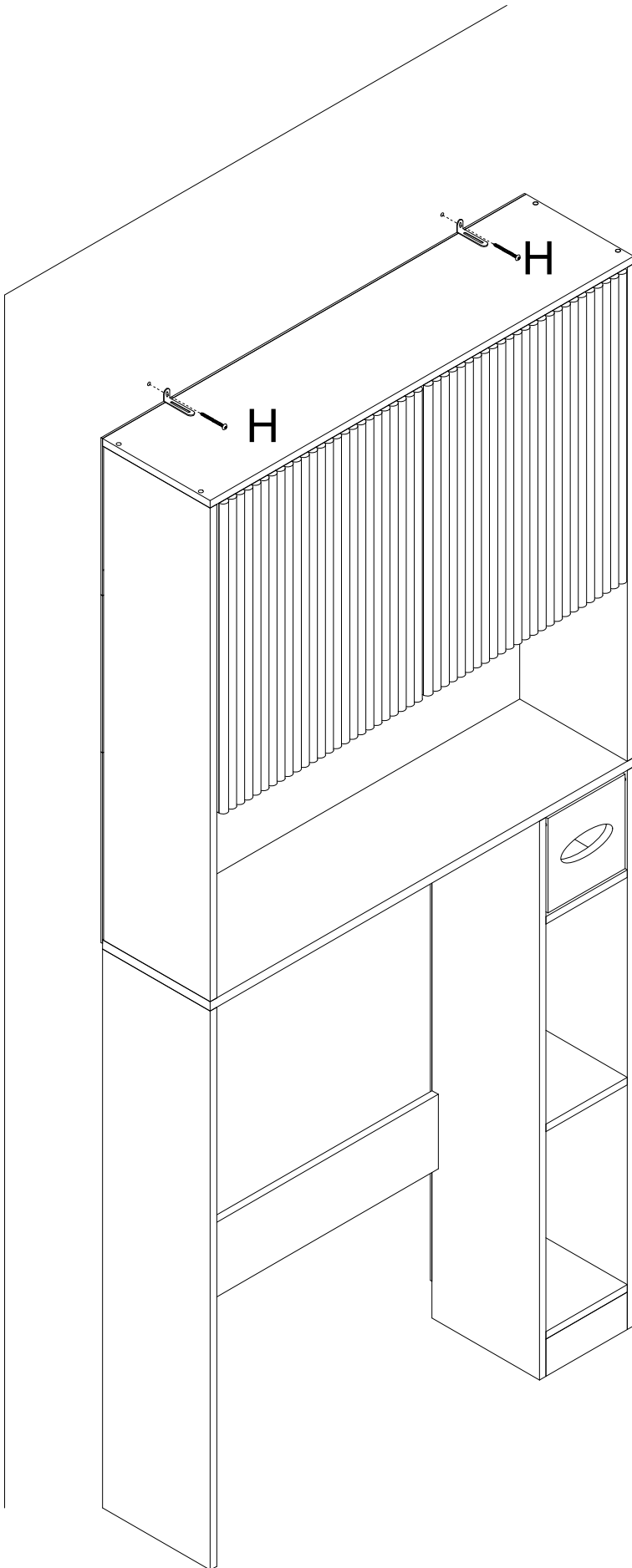
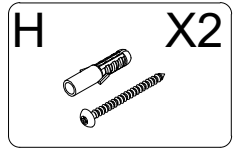
To adjust side ways.

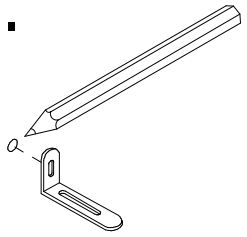
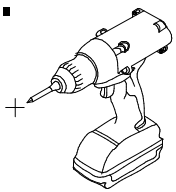
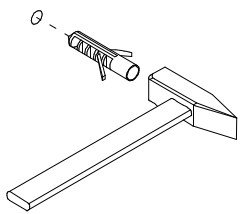
Turning the screw "C" on BOTH hinges on each door.

9



10



1. 
2. 
3. 
4. 