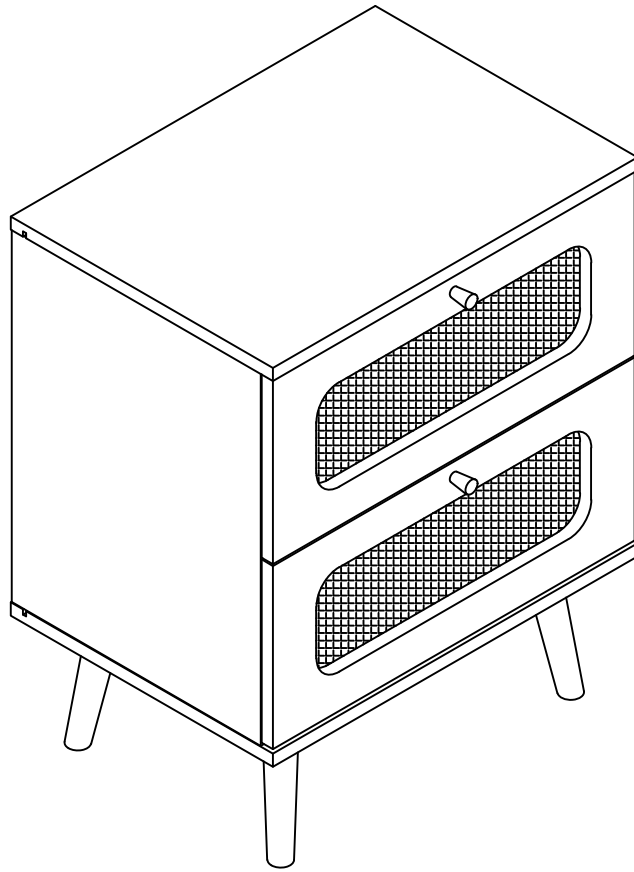
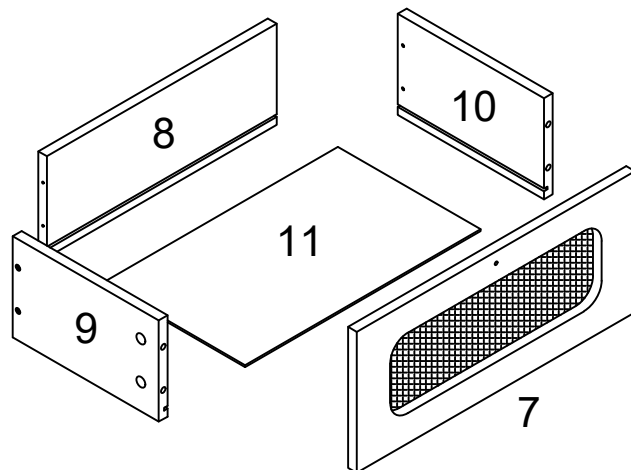
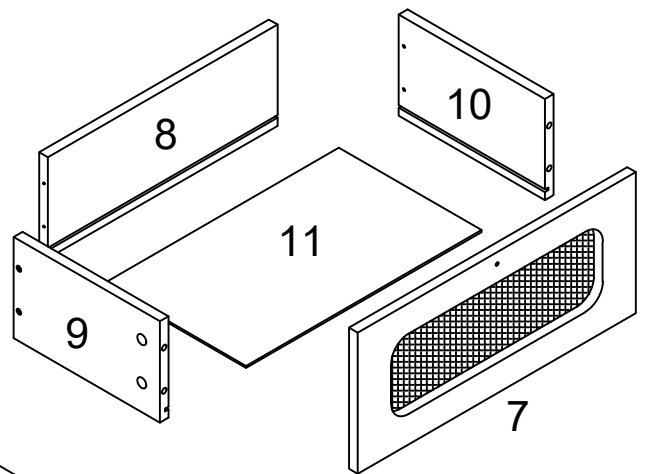
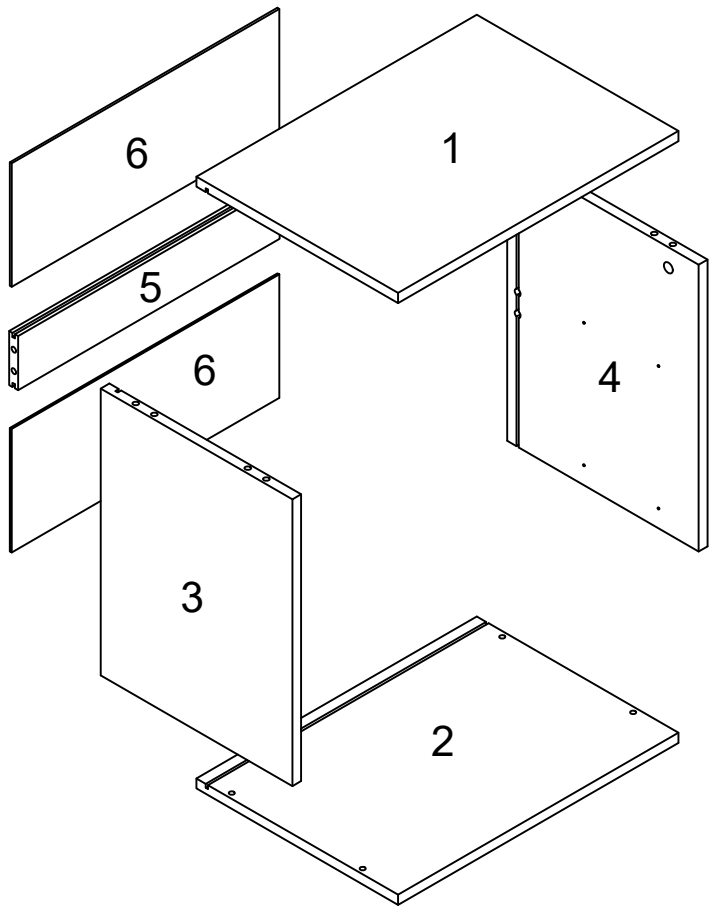
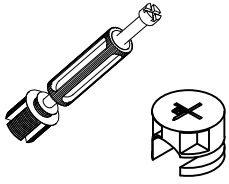


# Installation & Assembly



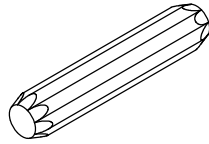


**A**

16PCS

**B**

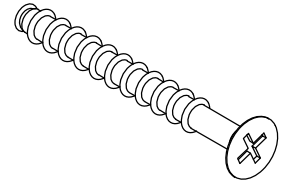
8\*40



4PCS

**C**

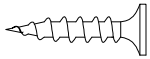
7\*50



4PCS

**D**

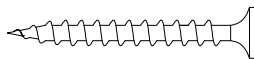
3.5\*14



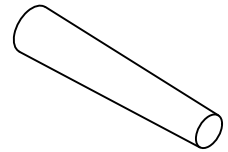
36PCS

**E**

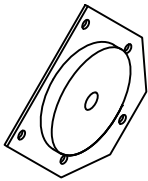
3.5\*35



8PCS

**F**

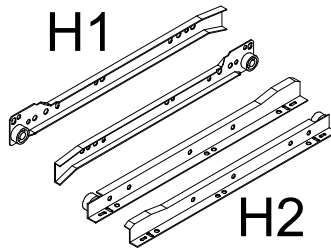
4PCS

**G**

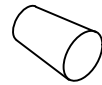
4PCS

**H**

250mm



2PCS

**I**

2PCS

**J**

4\*20



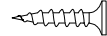
2PCS

**K**

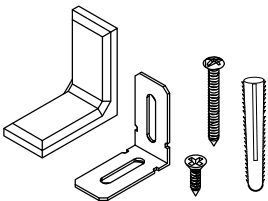
6PCS

**L**

3\*12



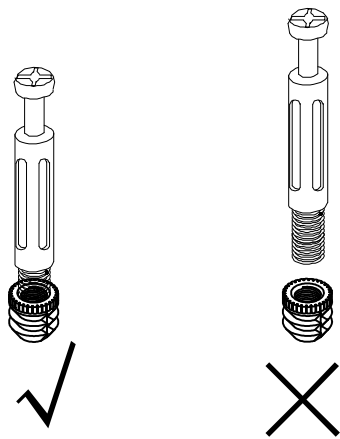
6PCS

**M**

1PCS

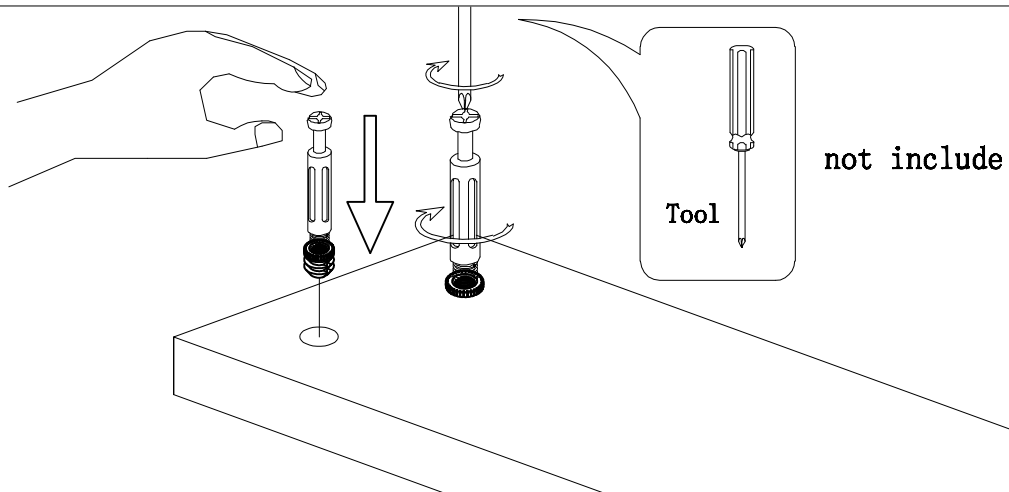
# "A" Hardware installation example

I

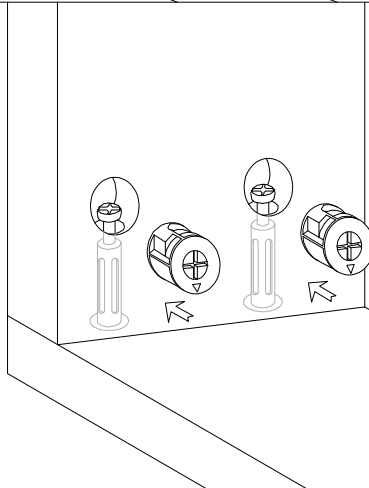


This part cannot be separated,  
please install in strict  
accordance with the assembly  
requirements

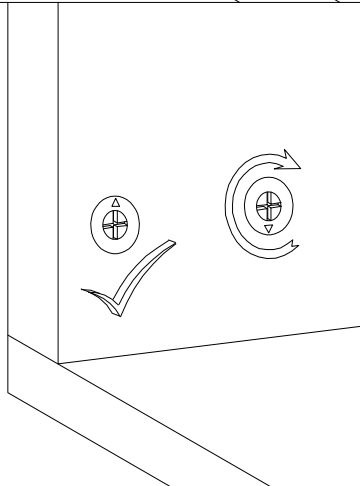
II



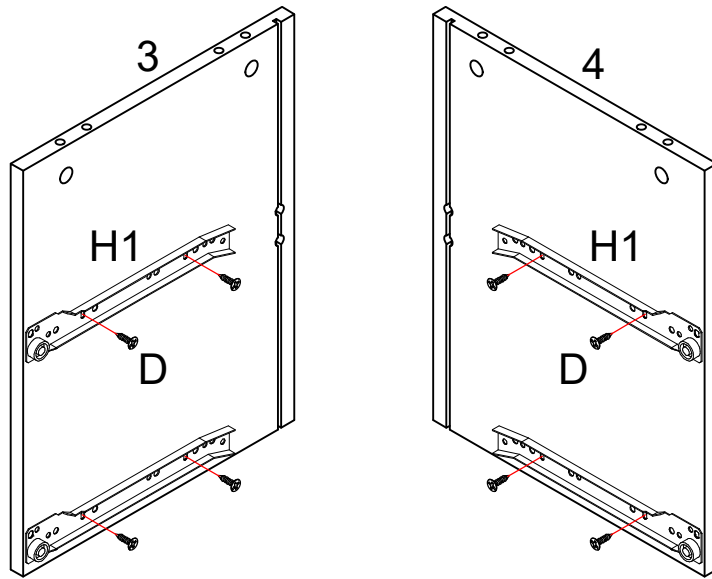
III

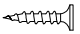
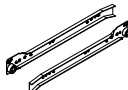


IV

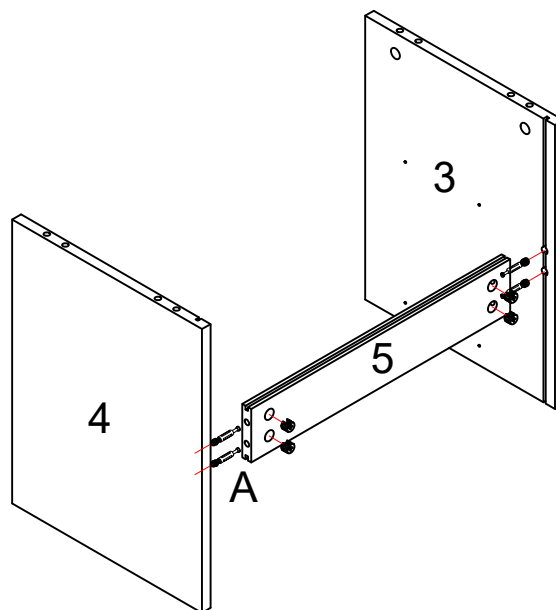



# STEP 1



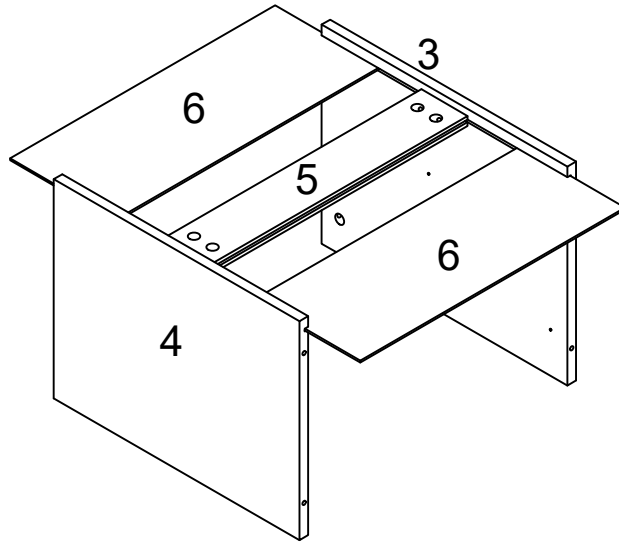
	D*8
	H1*2

# STEP 2

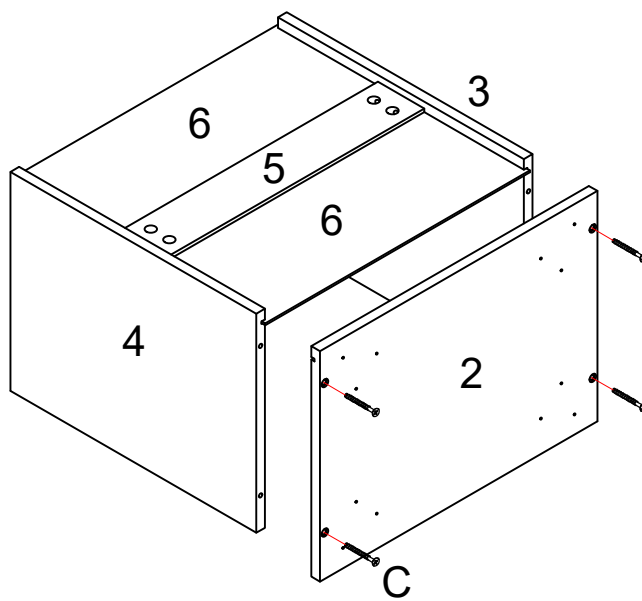


	A*4
---	-----

# STEP 3

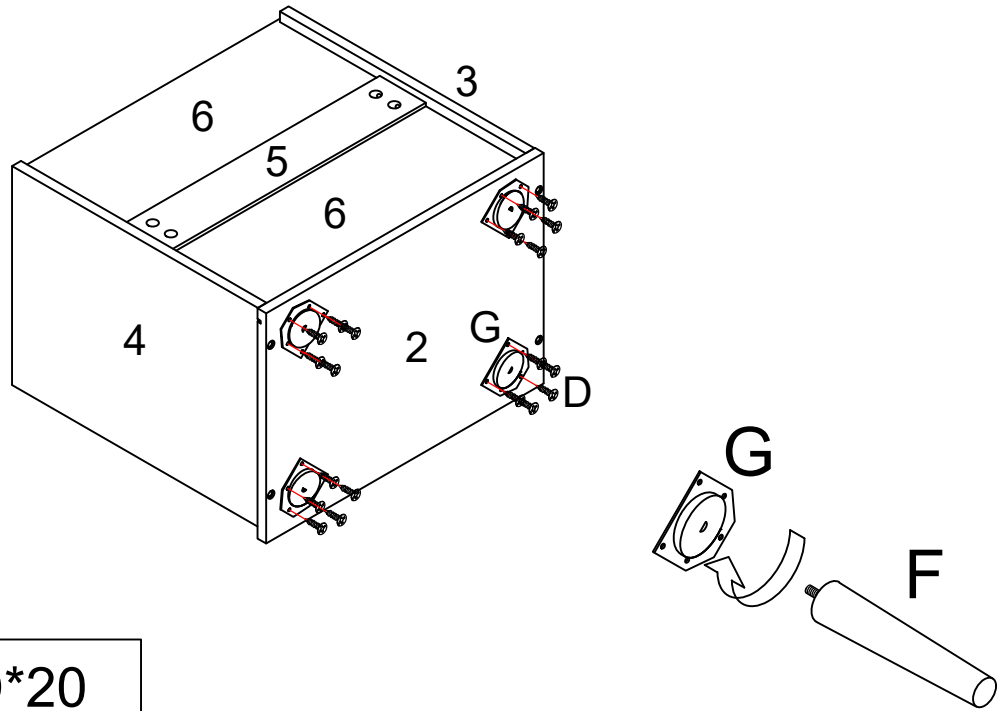


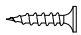
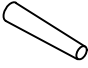

# STEP 4



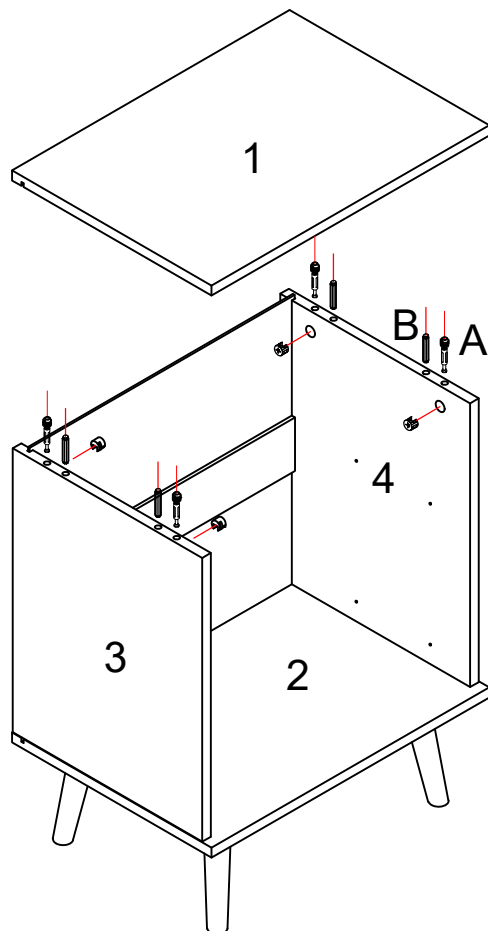
C\*4


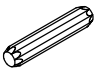
# STEP 5



	D*20
	F*4
	G*4

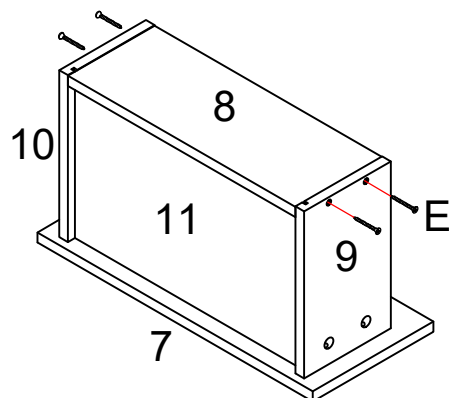
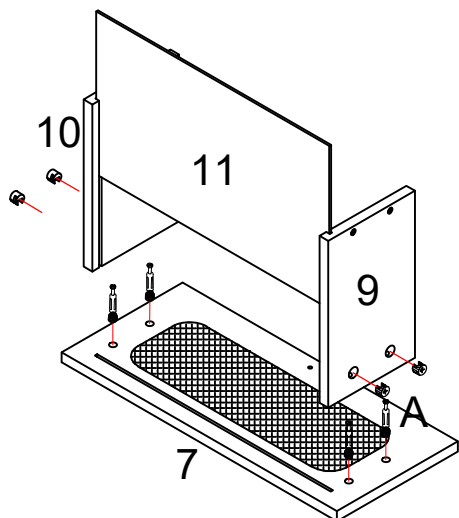
# STEP 6


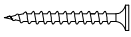


	A*4
	B*4

# STEP 7

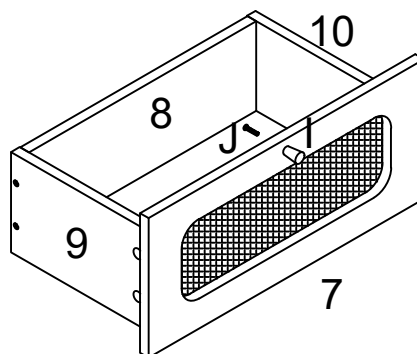
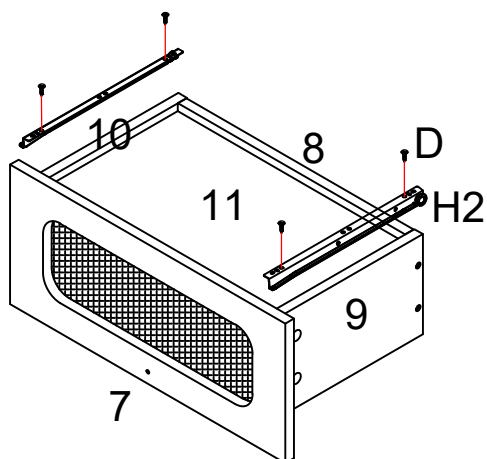
# X2

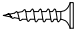
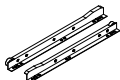




	A*8
	E*8

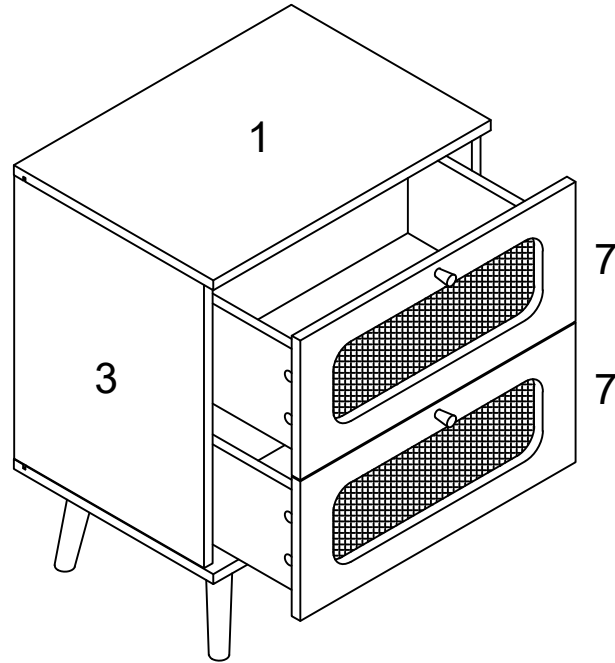
# STEP 8

# X2

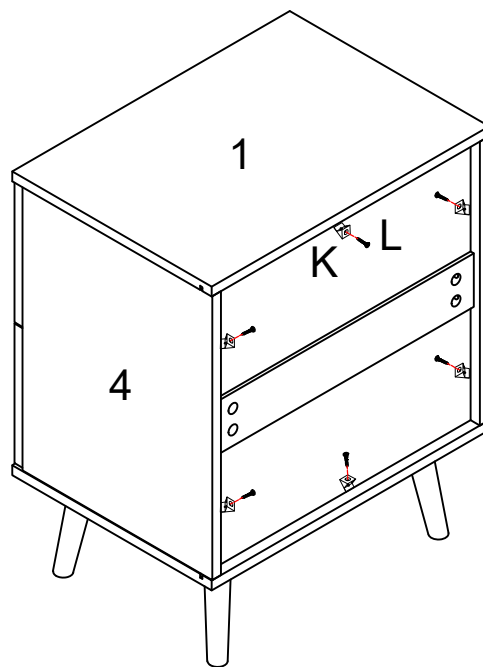


	D*8
	H2*2
	I*2
	J*2

# STEP 9



# STEP 10

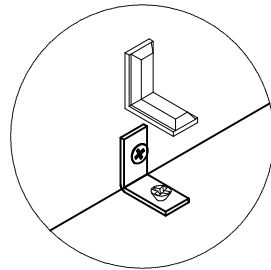
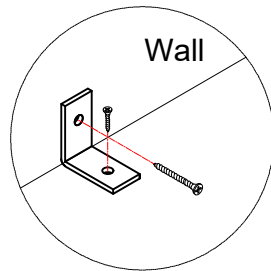
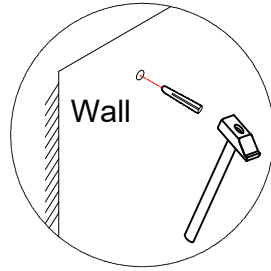
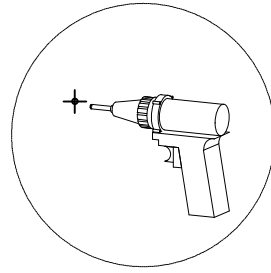
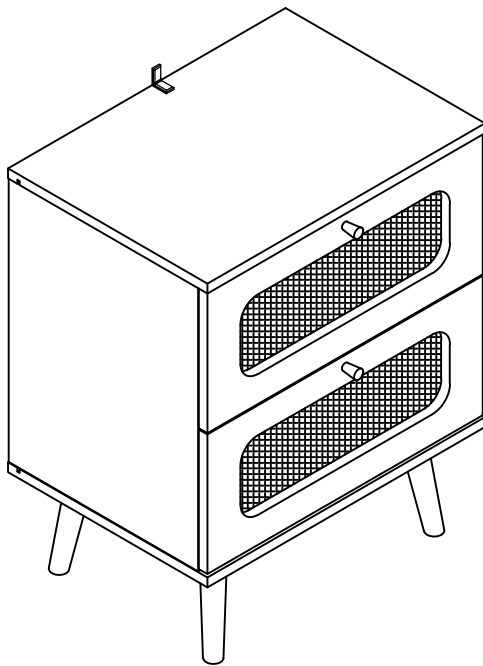


K\*6



L\*6

# STEP 11



Please install tip-proof fitting.



M\*1