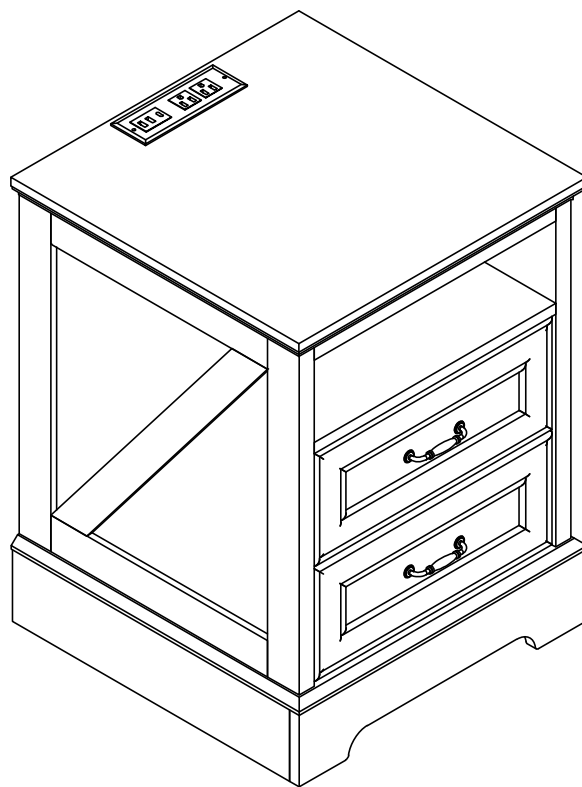


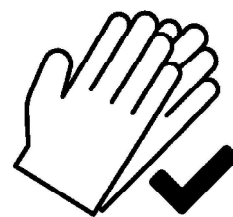
End Table

Assembly Instructions



ATTENTION PLEASE:

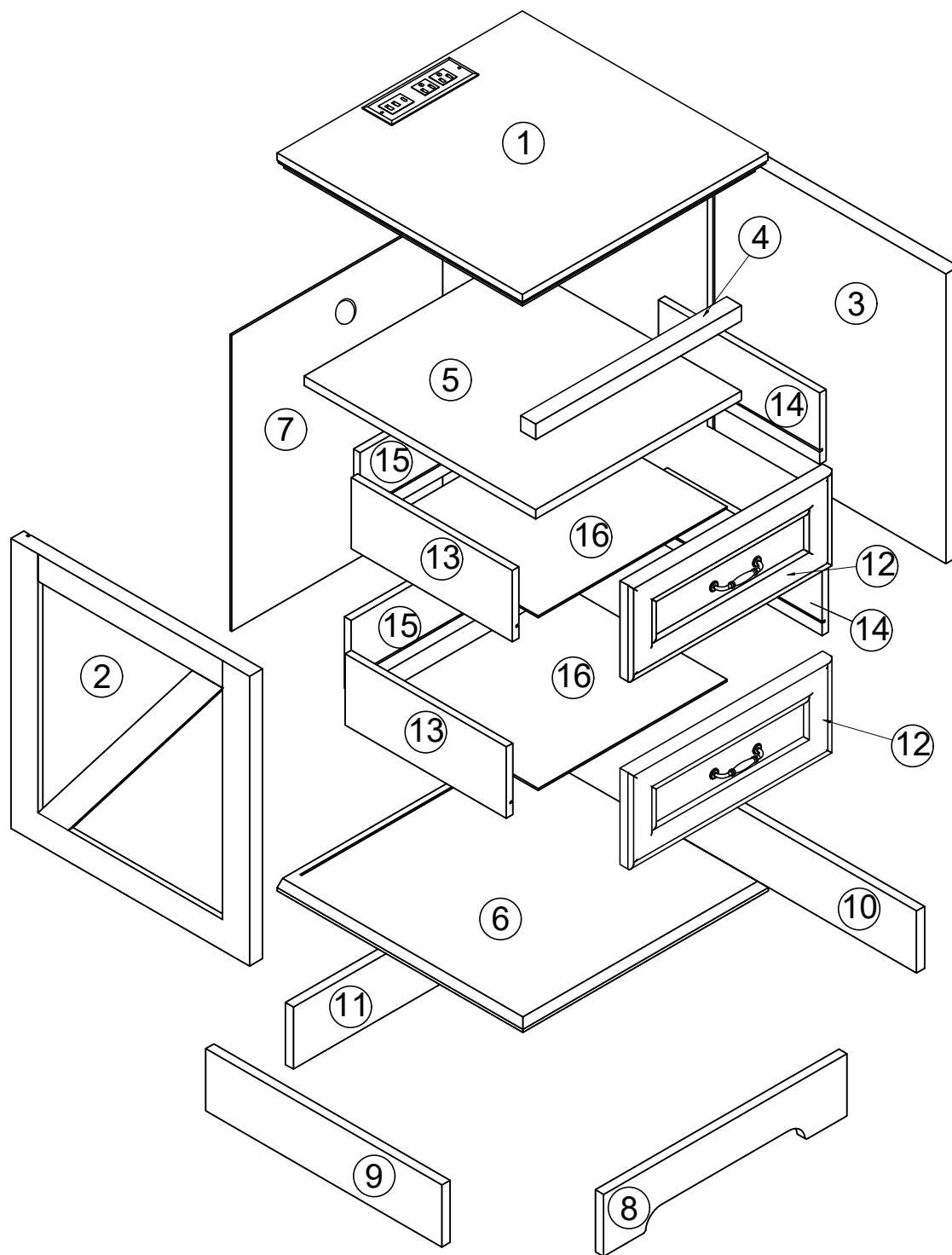
1. Please follow the instruction for assembly and preferably on a mat to avoid damage to the product.
2. Ideal installation time is 90 minutes.
3. Not intended for children.
4. Keep away from fire or other heat sources.
5. We recommend that you wear protective gloves during assembly.



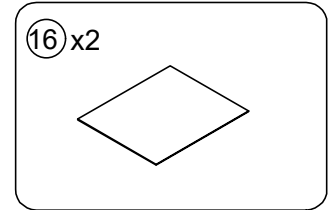
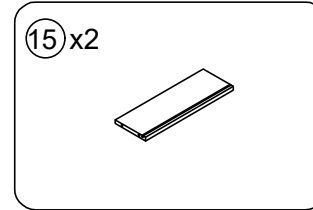
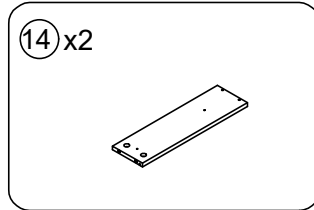
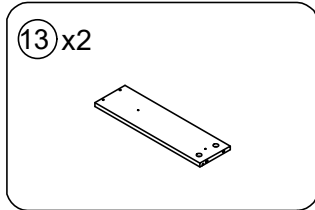
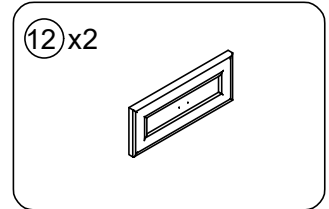
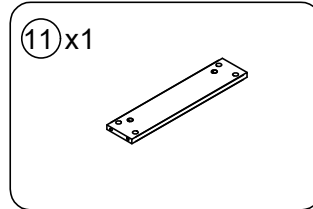
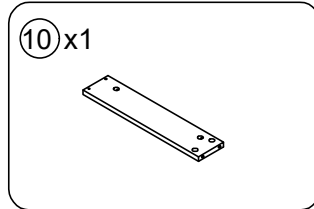
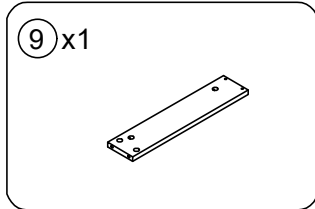
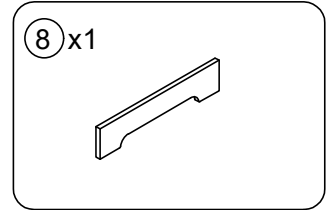
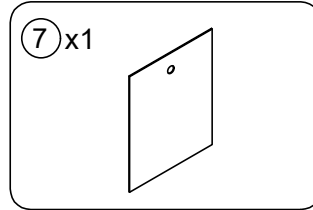
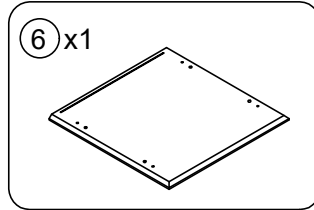
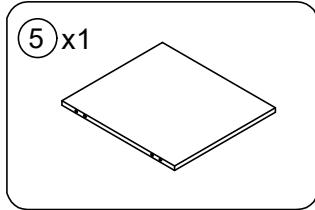
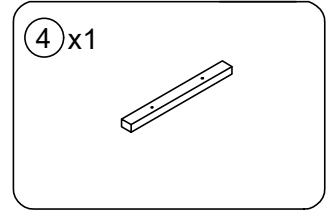
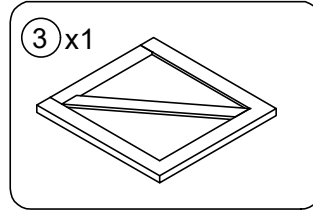
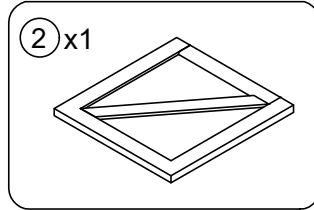
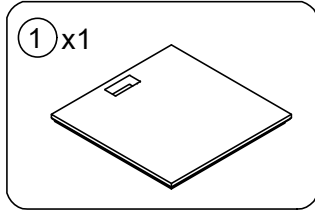
If you are not entirely satisfied with your purchase, please feel free to contact us using the following steps:

1. Go to Your Orders.
2. Find your order in the list.
3. Select Problem with order
4. Choose your topic from list displayed.
5. Select Contact seller.






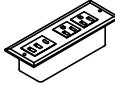
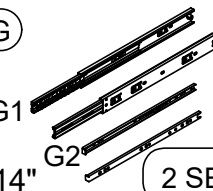
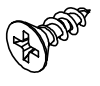
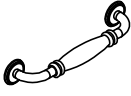

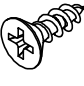


Part List



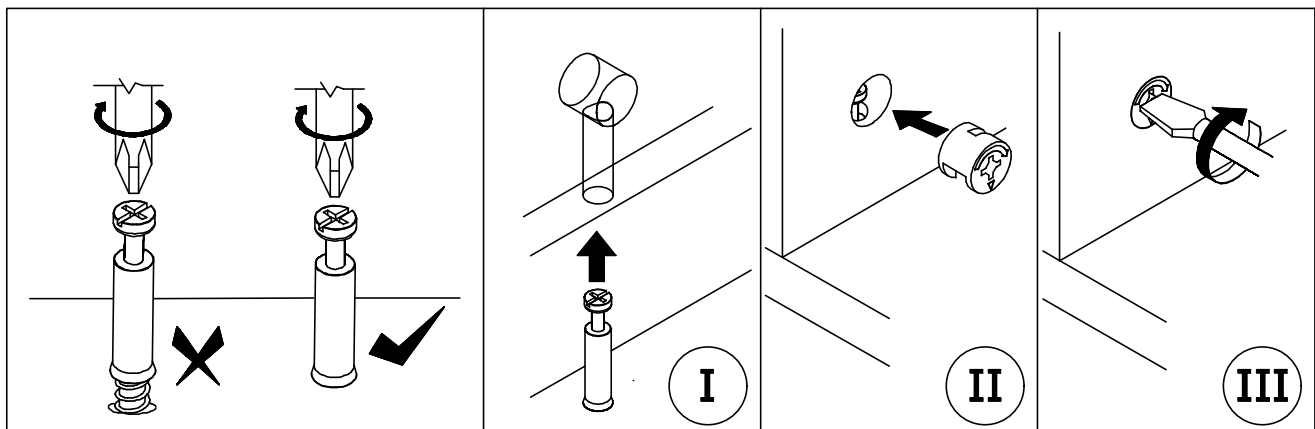
Part List



Hardware List

<p>(A)</p>  <p>Ø8*30mm 20+1PCS</p>	<p>(B)</p>  <p>M6*34mm 32+2PCS</p>	<p>(C)</p>  <p>Ø15*9mm 32+2PCS</p>	<p>(D)</p>  <p>Ø4*40mm 4 PCS</p>
<p>(E)</p>  <p>Ø4*30mm 10+1PCS</p>	<p>(F)</p>  <p>162*55mm 1PC</p>	<p>(G)</p>  <p>G1 14" G2 2 SET</p>	<p>(H)</p>  <p>M3.5*12mm 18+1PCS</p>
<p>(J)</p>  <p>96mm 2PCS</p>	<p>(K)</p>  <p>M4x20mm 4PCS</p>	<p>(L)</p>  <p>M3.5*12mm 2PCS</p>	<p>(M)</p>  <p>14*13*10 4PCS</p>
<p>(N)</p>  <p>Ø3*16mm 4PCS</p>			

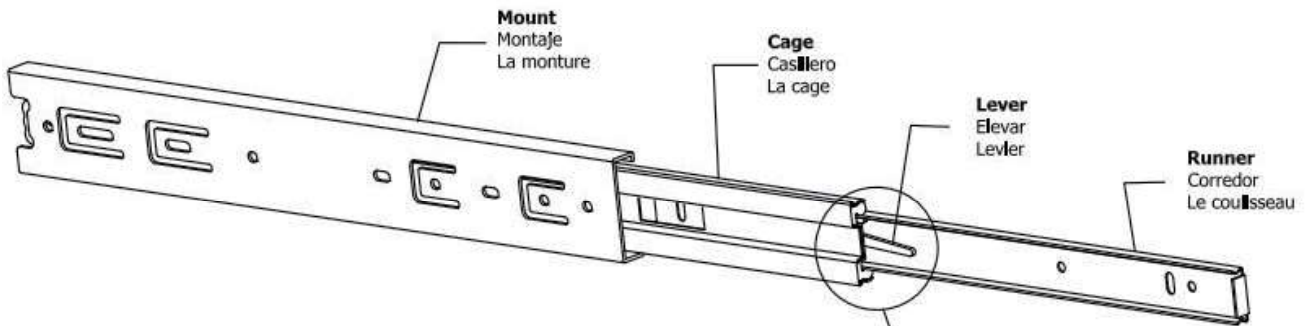
Please note:
The accessory quantity "+1/+2" in the picture is the additional spare parts we have prepared for you.



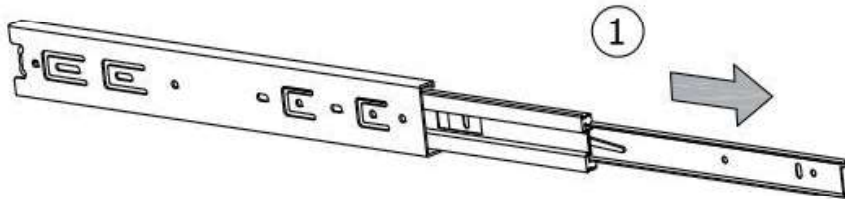
**Slides Must Be Separated Before Assembly.
After Separated, Set Aside Until Needed for Assembly.**

Las diapositivas deben separarse antes del montaje.
Después de la separación, déjelo a un lado hasta que sea necesario.

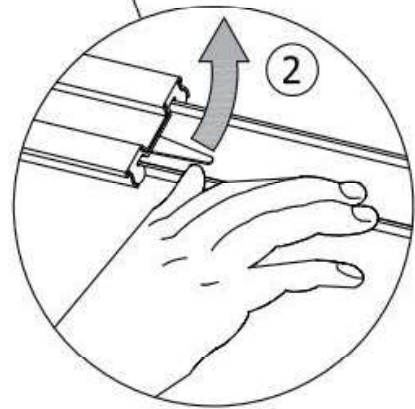
Les glissières doivent être séparées avant l'assemblage.
Après la séparation, mettez de côté jusqu'au moment de l'assemblage.



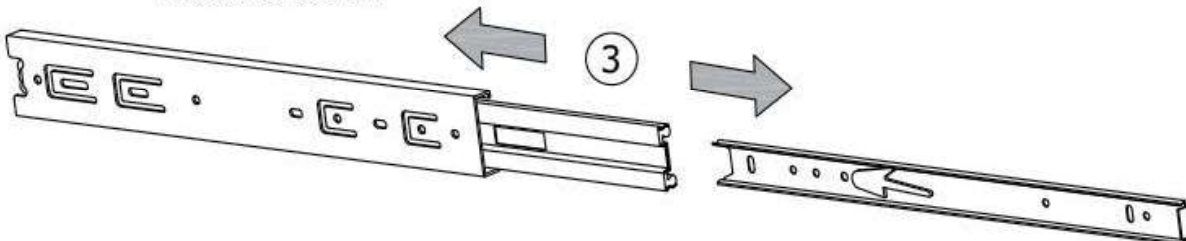
STEP 1: Extend Slide
Extender la diapositiva
Extendre la diapositive



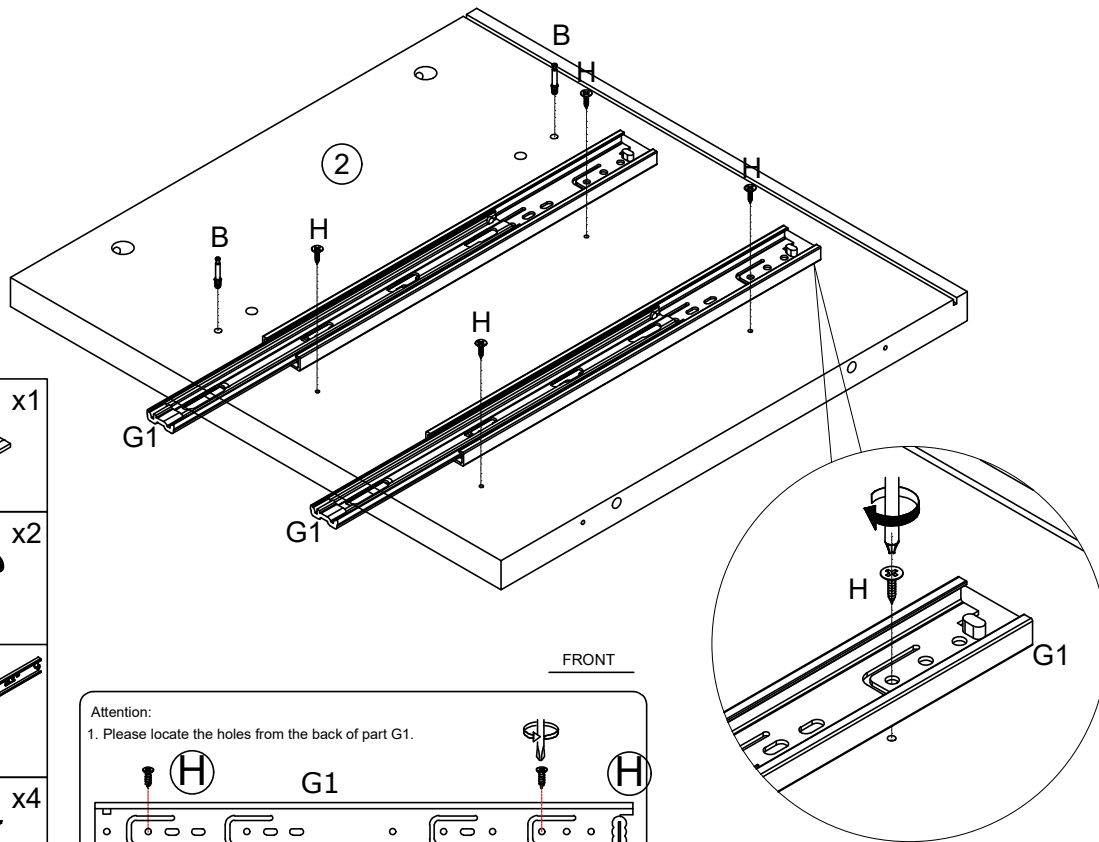
STEP 2: Push Lever UP
Empujar hacia arriba
Lever le levier



STEP 3: Remove Runner
Quitar el corredor
Enlever le coureur

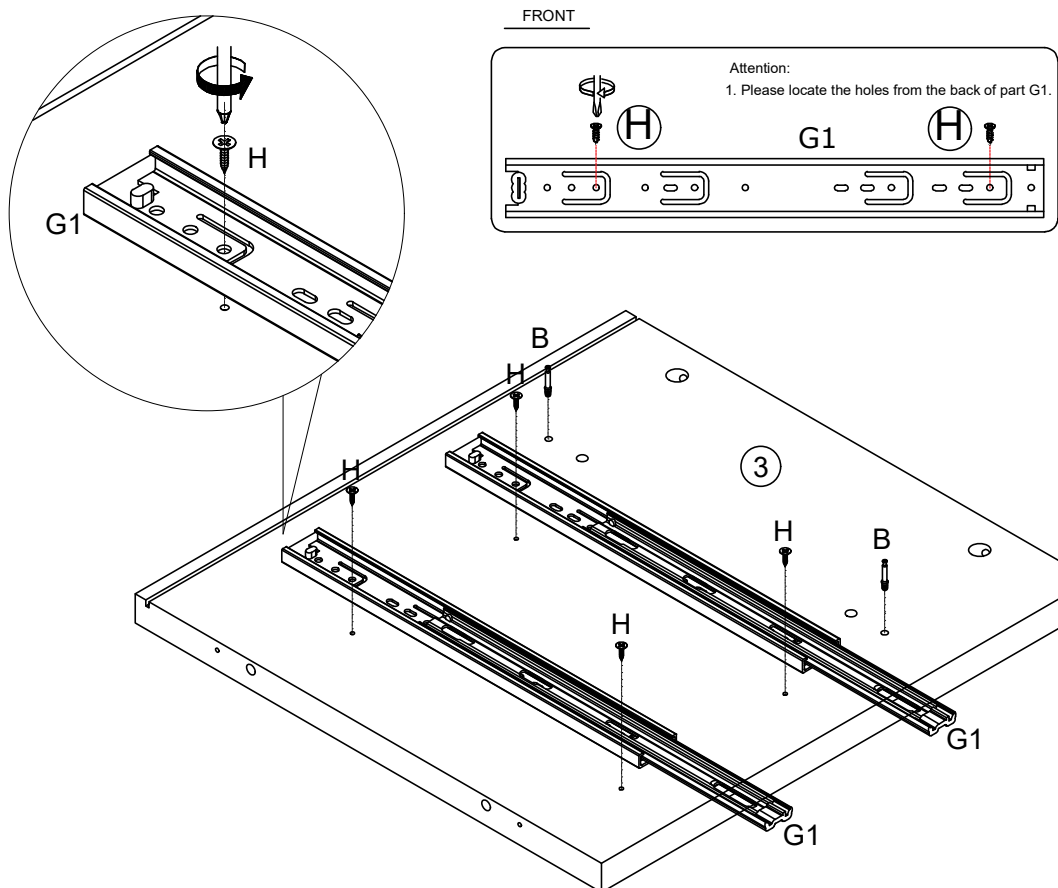


1



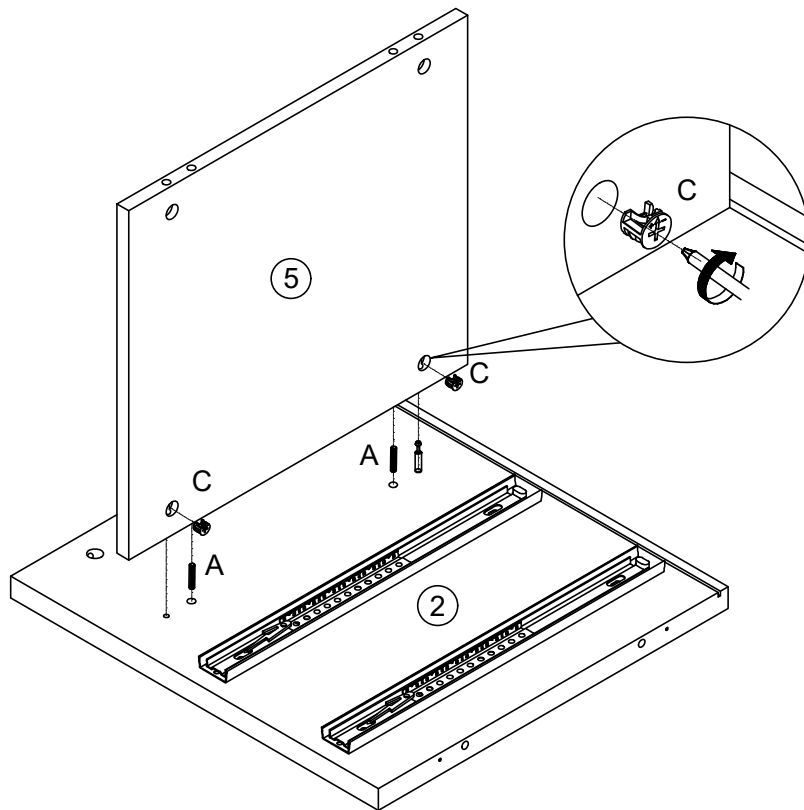
②	x1
Ⓑ	x2
Ⓒ	G1x2
Ⓗ	x4

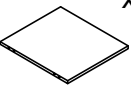
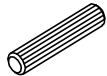

2



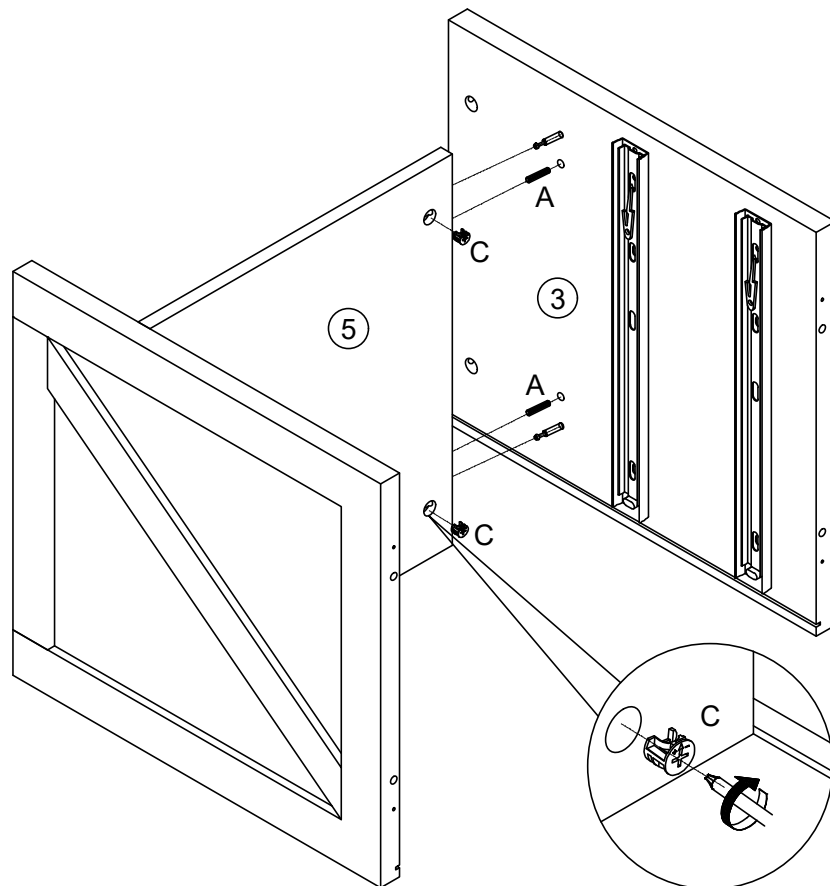
③	x1
Ⓑ	x2
Ⓒ	G1x2
Ⓗ	x4

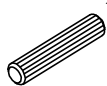

3



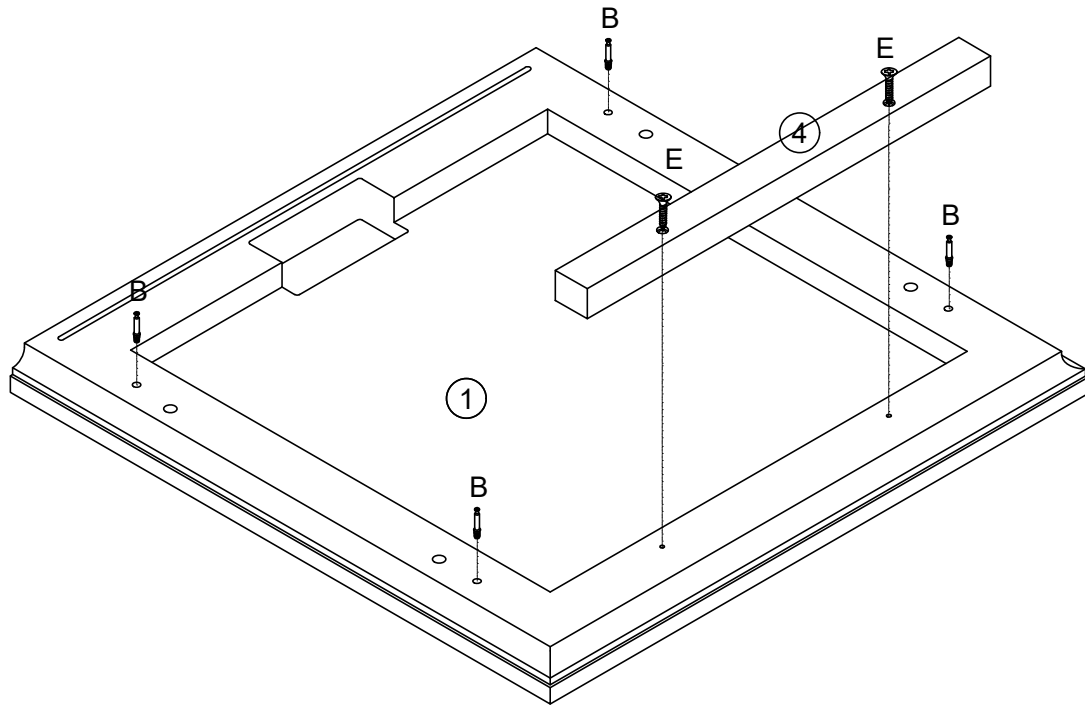
(5)		x1
(A)		x2
(C)		x2


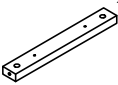


4



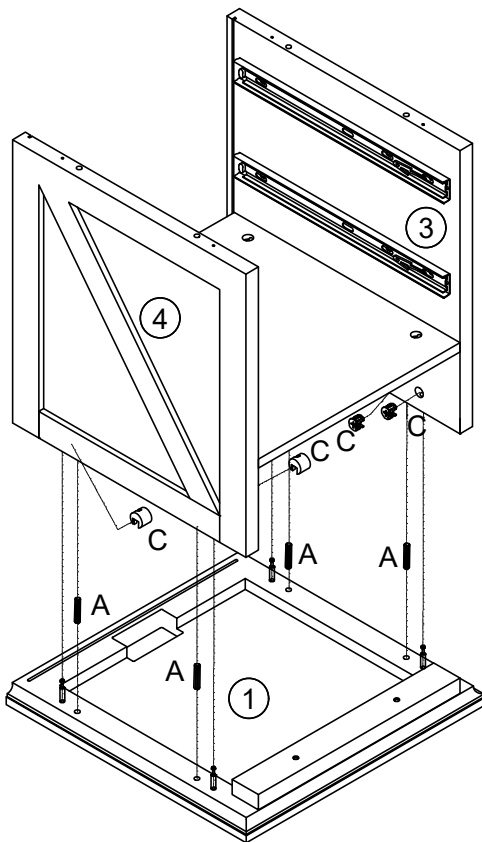
(A)		x2
(C)		x2

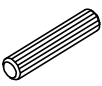

5



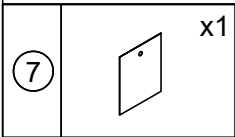
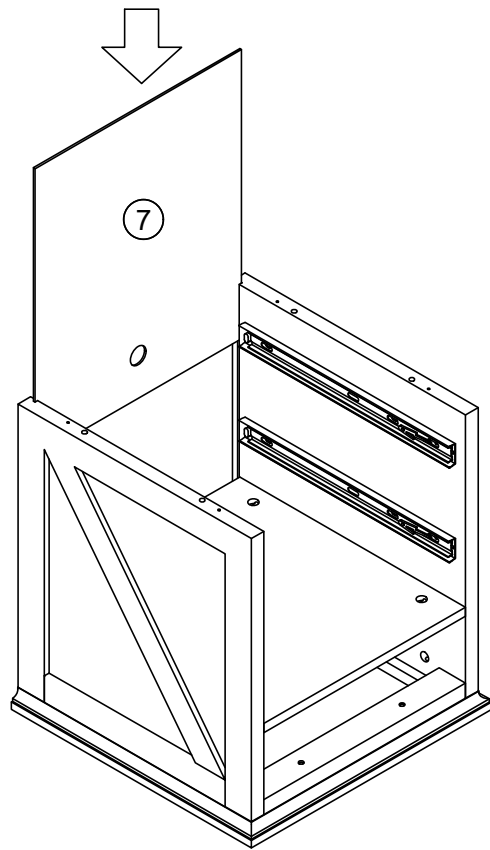
①		x1
④		x1
Ⓑ		x4
Ⓔ		x2

6

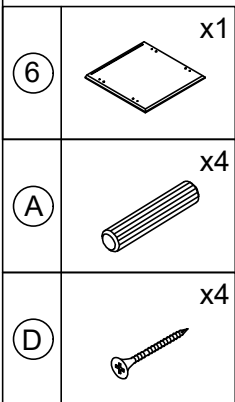
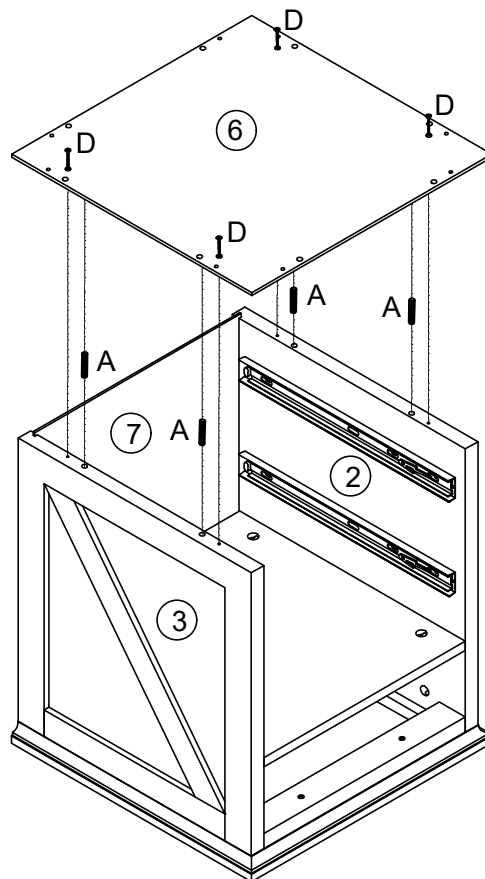


Ⓐ		x4
Ⓒ		x4

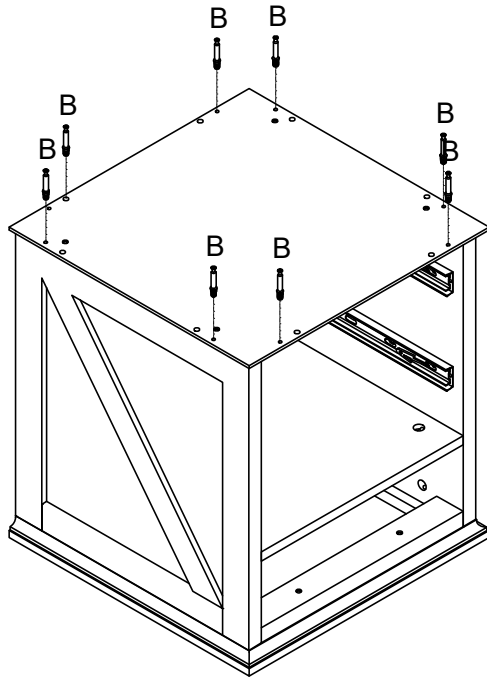
7



8



9

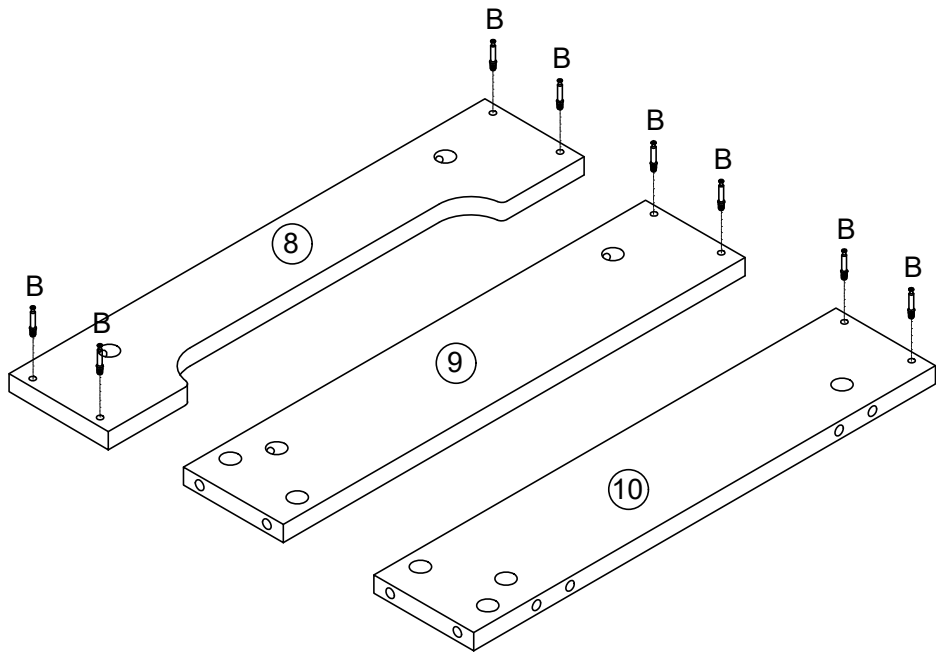


(B)

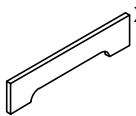


x8

10

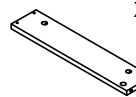


(8)



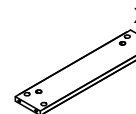
x1

(9)



x1

(10)



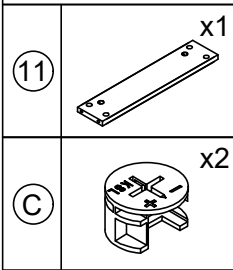
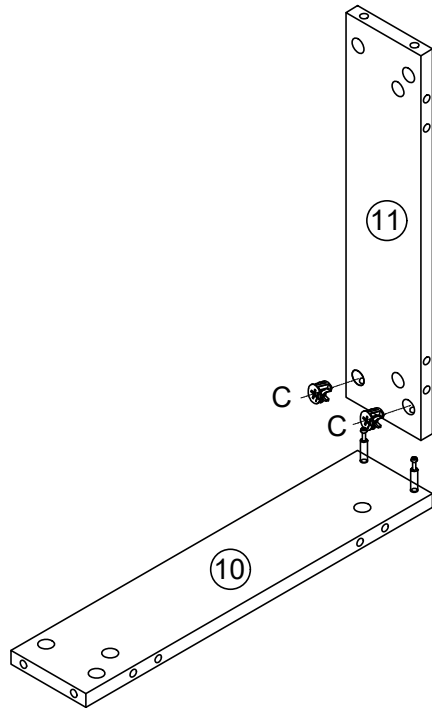
x1

(B)

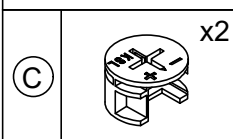
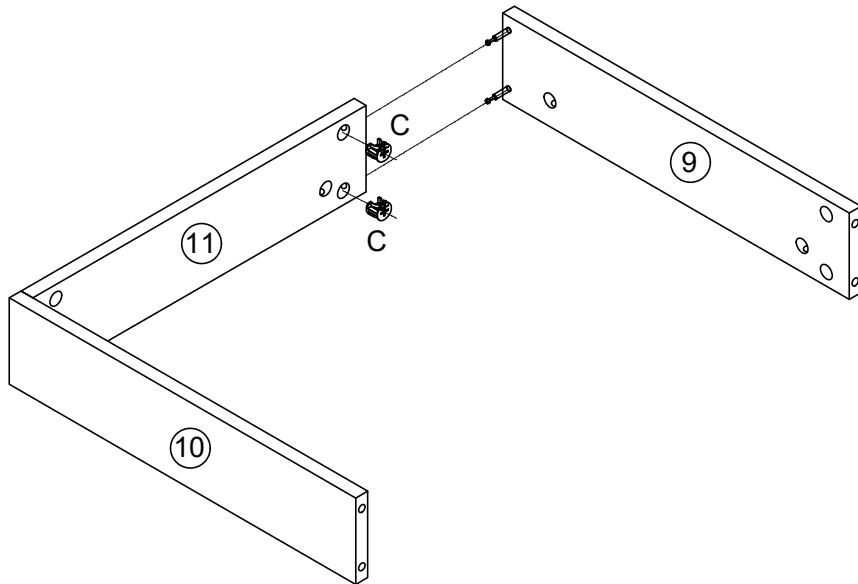


x8

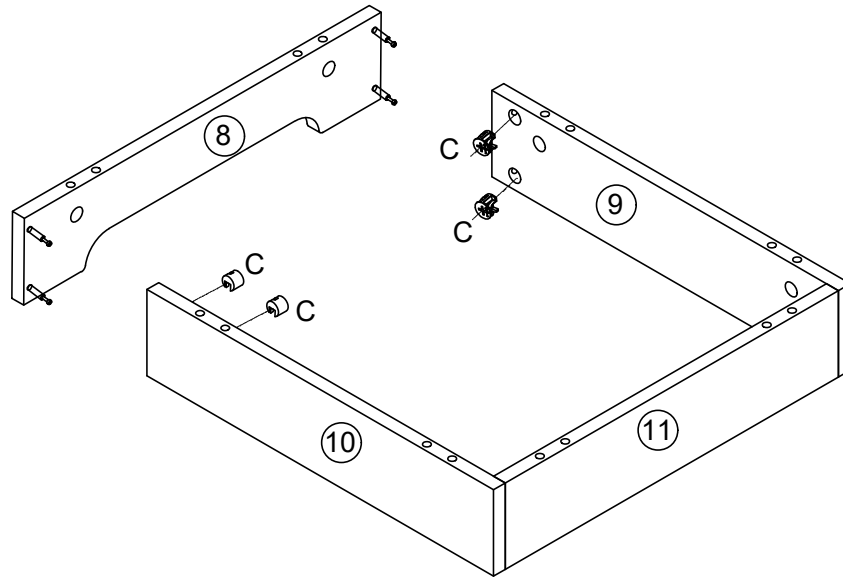
11



12



13

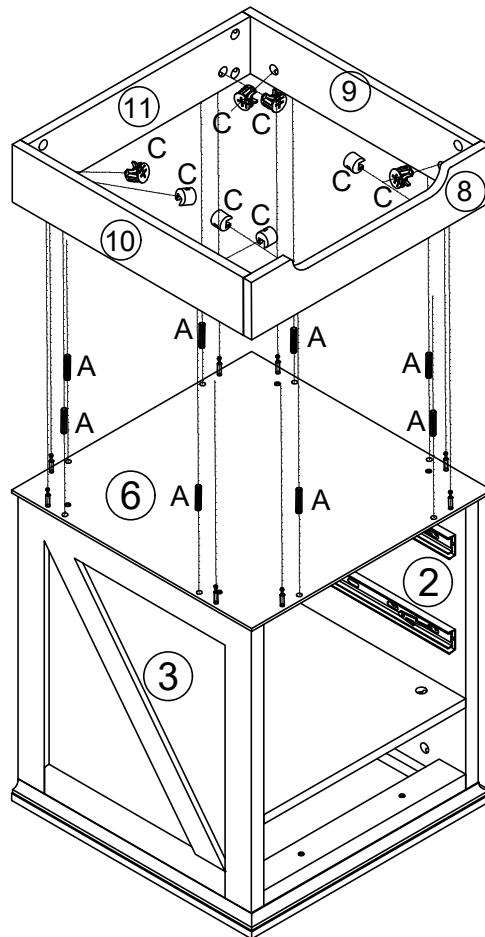


C

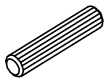


x4

14



A




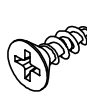
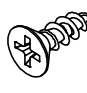
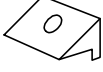

x8

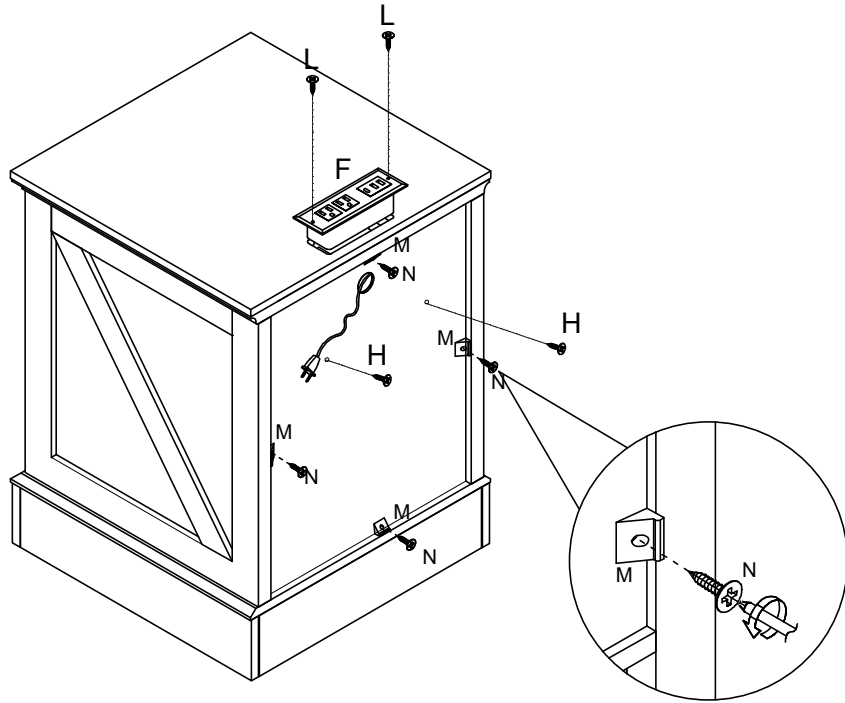
C



x8

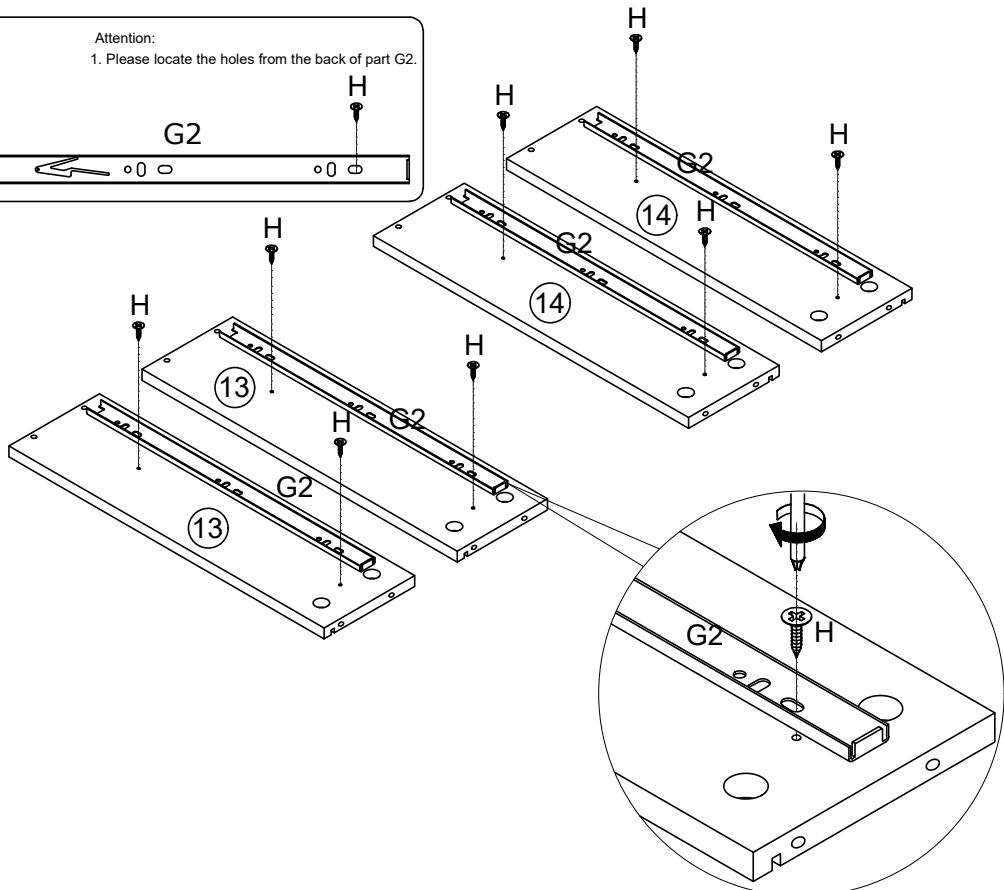
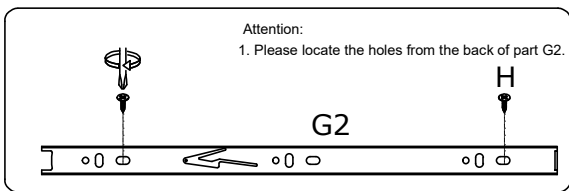
15

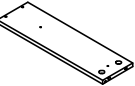
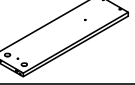

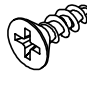
(F)	 x1
(H)	 x2
(L)	 x2
(M)	 x4
(N)	 x4



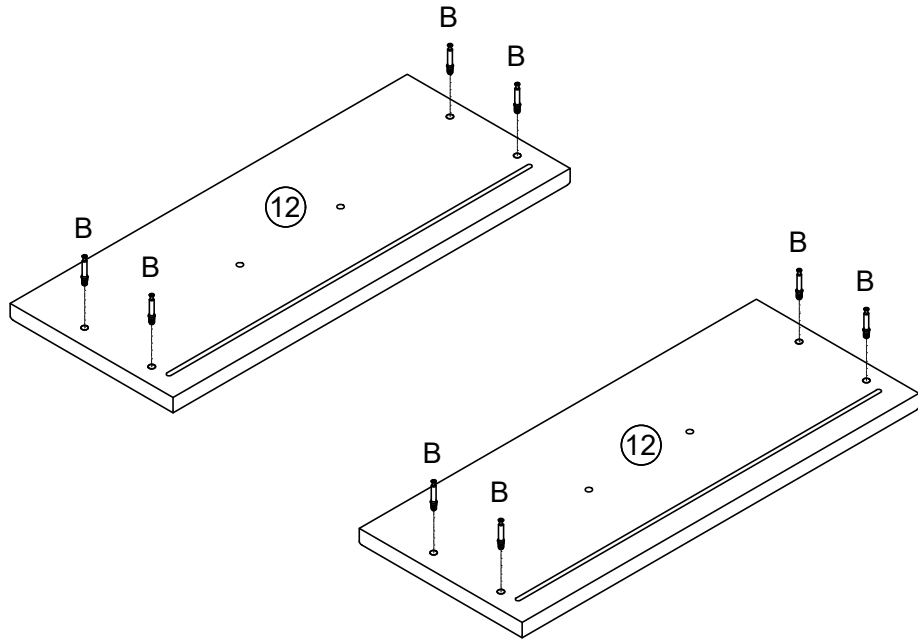
FRONT

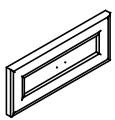

16



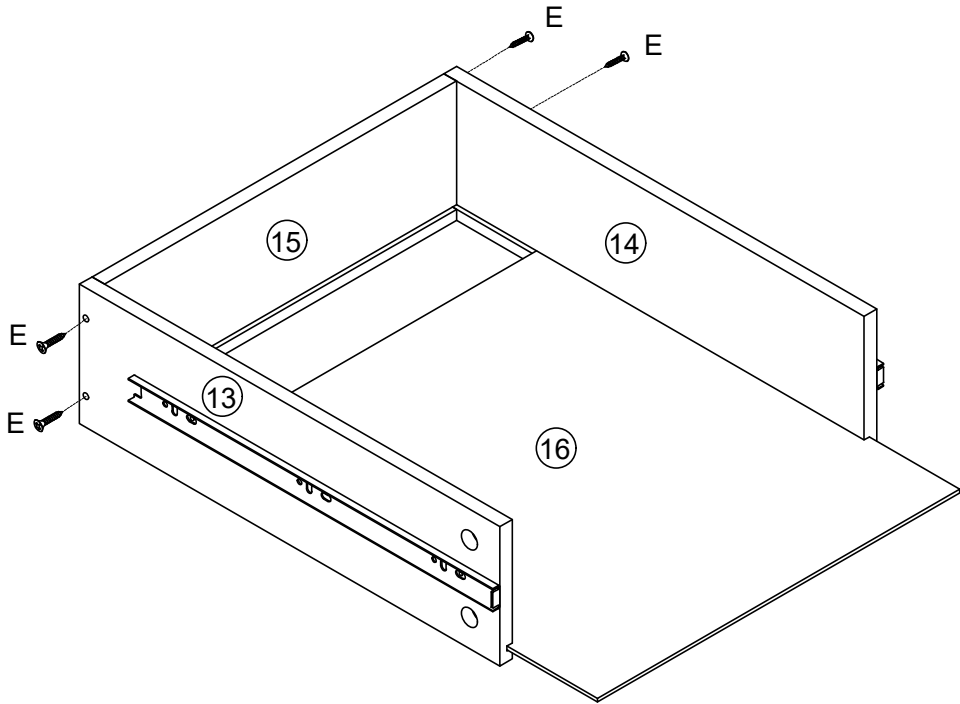
(13)	 x2
(14)	 x2
(G)	 G2x4
(H)	 x8

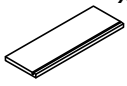
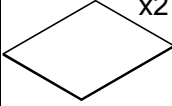

17



(12)	 x2
(B)	 x8

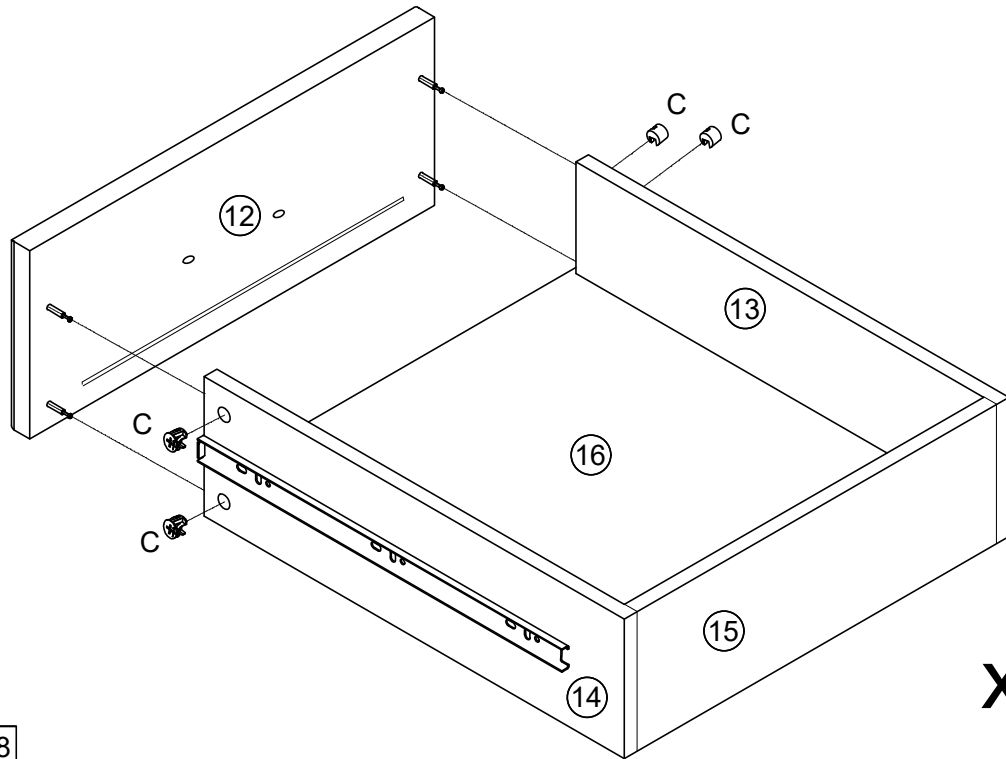
18



(15)	 x2
(16)	 x2
(E)	 x8

x2

19



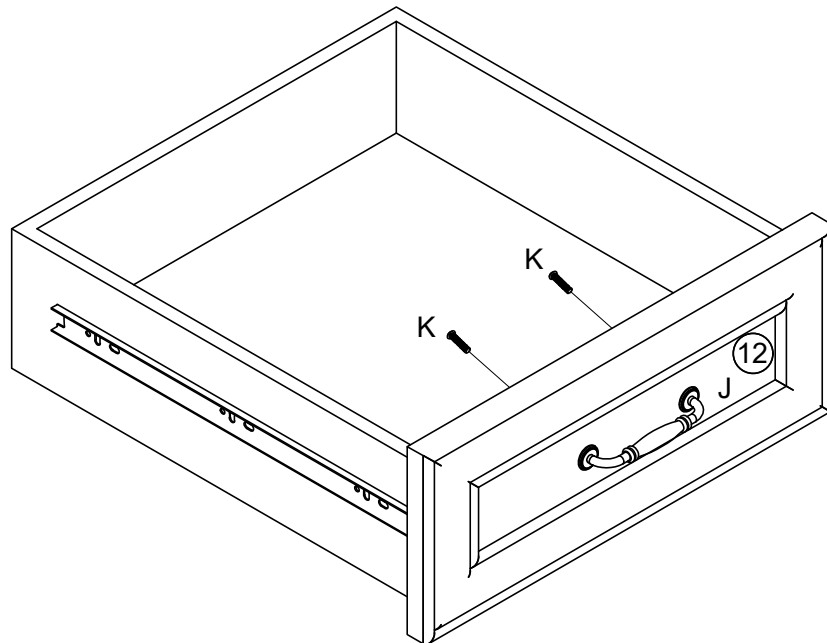
x2

C



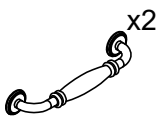
x8

20



x2

J



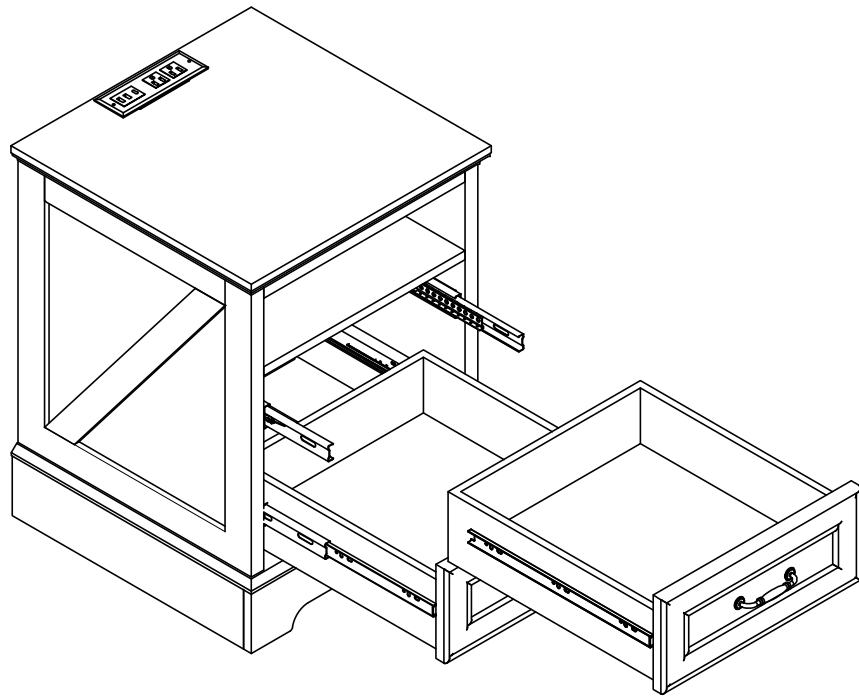
x2

K



x4

21



22

