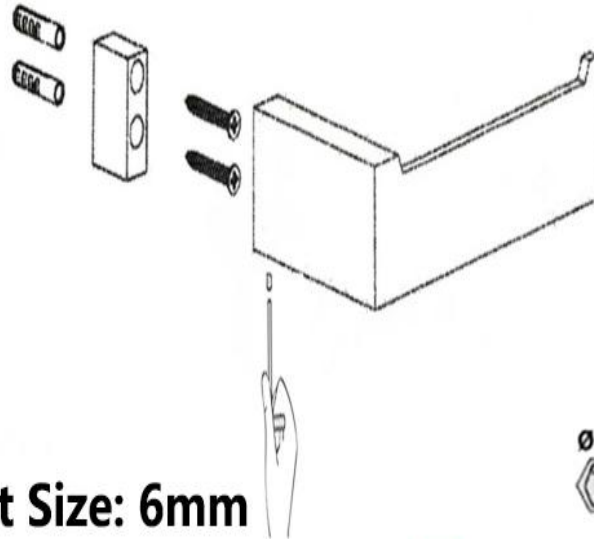
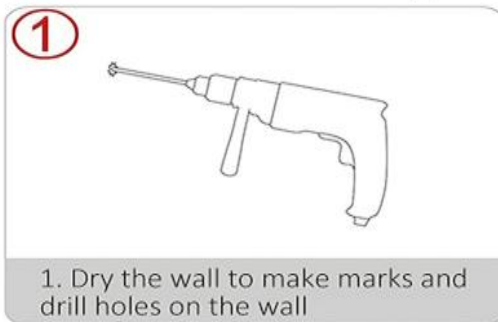


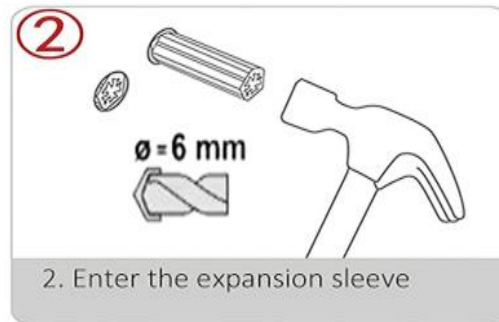
TOILET PAPER HOLDER



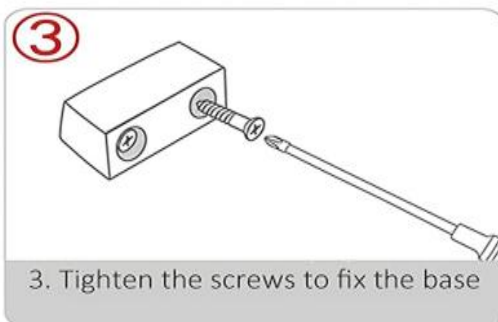
Drill Bit Size: 6mm



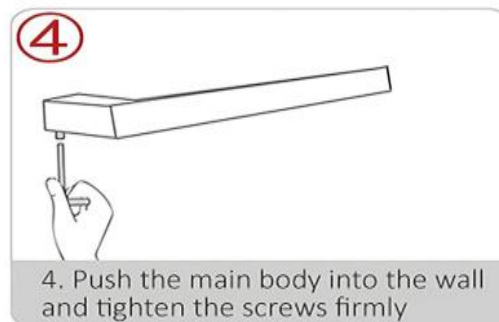
1. Dry the wall to make marks and drill holes on the wall



2. Enter the expansion sleeve



3. Tighten the screws to fix the base



4. Push the main body into the wall and tighten the screws firmly