


ASSEMBLY INSTRUCTIONS

CHEST



(BOX 1)

BOX OF CHEST

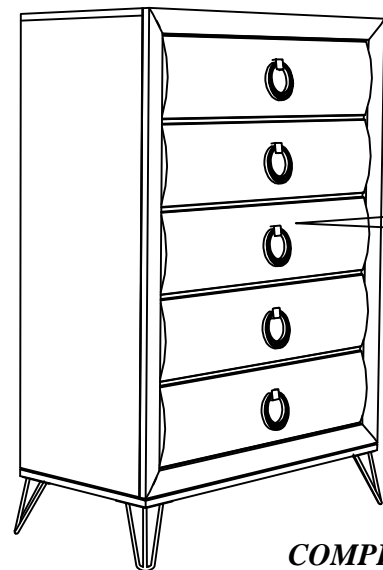
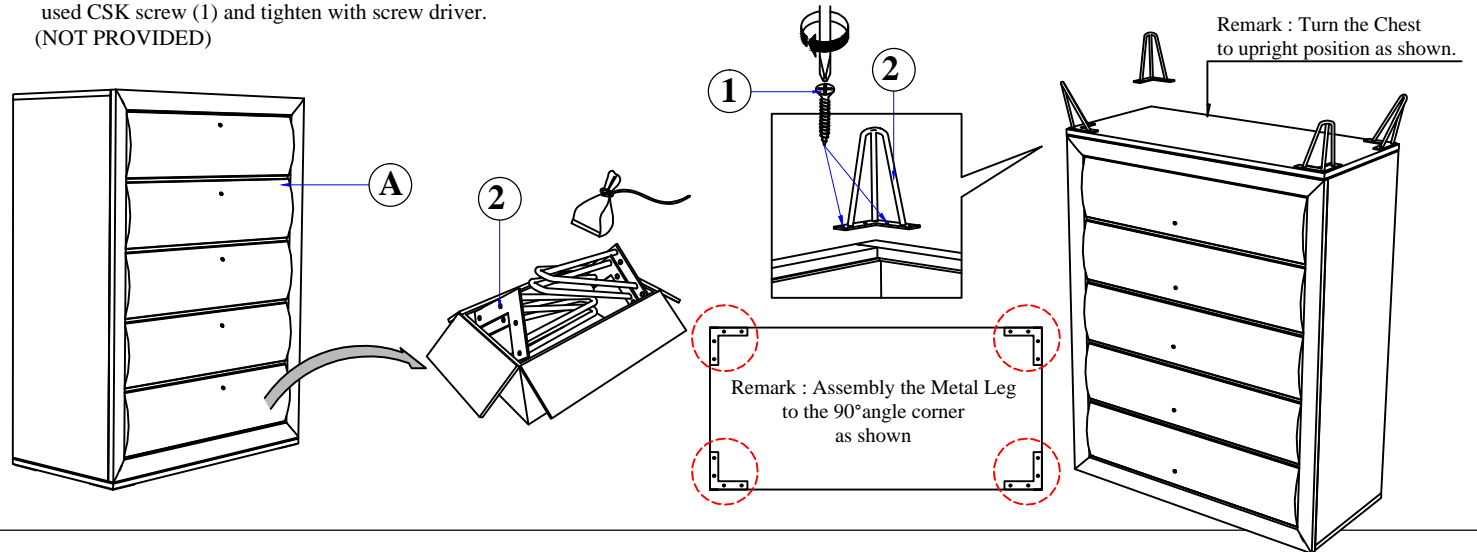
NO	ITEM	QTY
A	CHEST 	1 pc

(BOX 1)

HARDWARE LIST

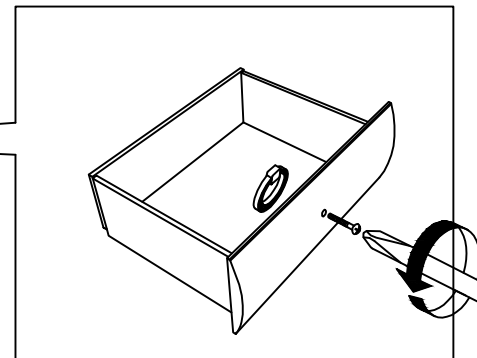
NO	ITEM	QTY
1	Flat Head Chipboard Screw m4x20mm Rbw 	16 PCS
2	Metal Leg 	4 pcs

STEP 1 : Pull the drawer and take out the Bunfoot carton (B). Attach the Metal Leg (B) at the bottom Chest (A) by following the marking line provided used CSK screw (1) and tighten with screw driver.
(NOT PROVIDED)

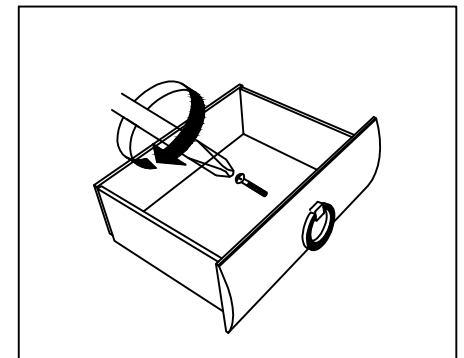


COMPLETED ASSEMBLY

STEP 1 :



STEP 2 :



NOTE : MUST TIGHTEN SCREWS **PERIODICALLY** WITH USE SCREW WILL BECOME LOOSE CHECK TIGHTNESS OF ALL SCREW EVERY 6-8 WEEKS.