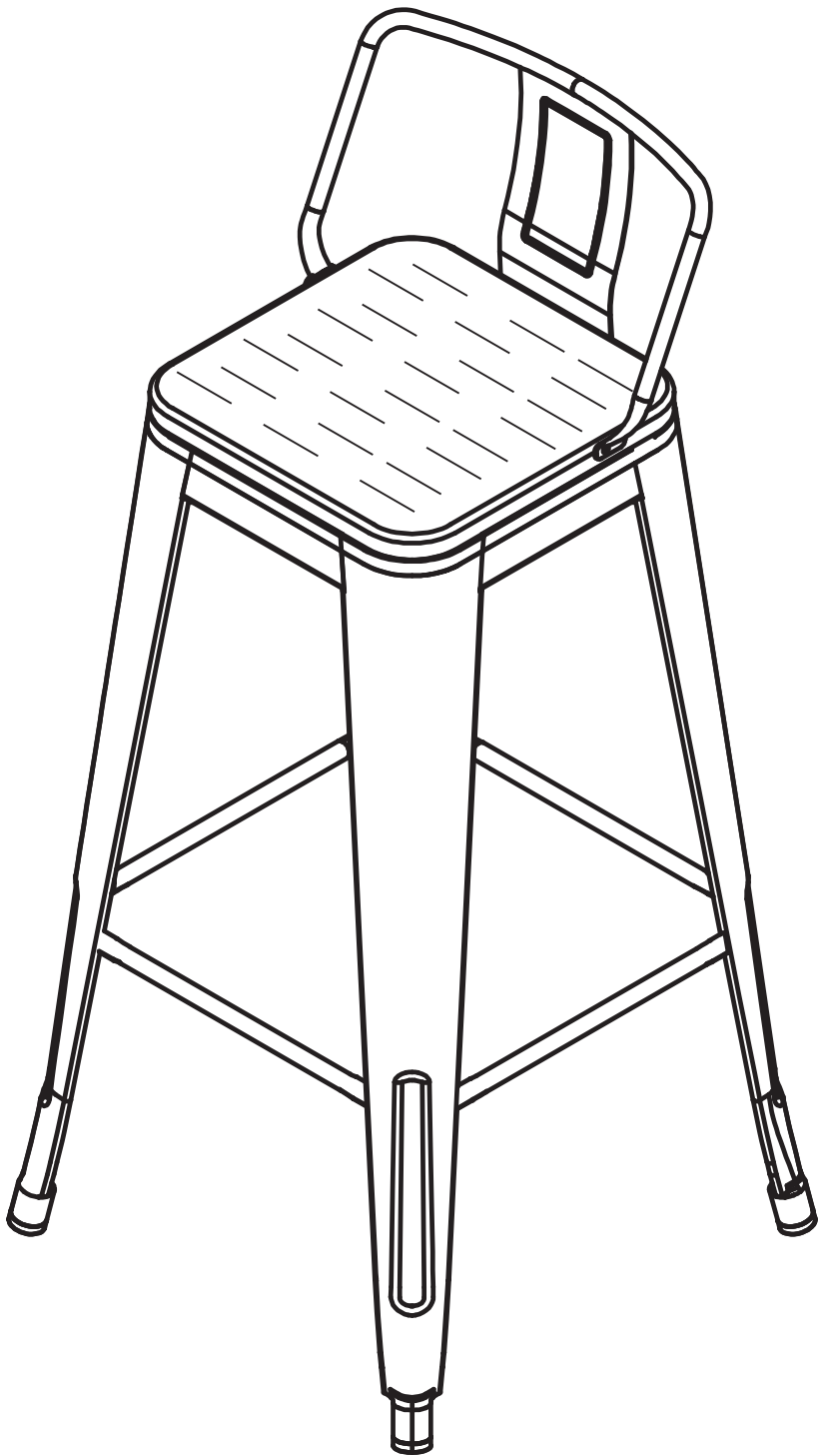


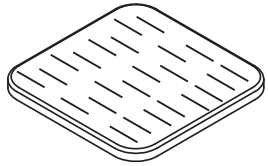
Metal Chair



 THIS INSTRUCTION BOOKLET CONTAINS IMPORTANT SAFETY INFORMATION. PLEASE READ AND KEEP FOR FUTURE REFERENCE.

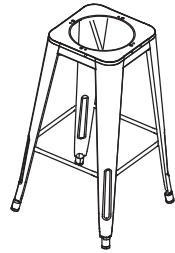
Parts&Hardware

A



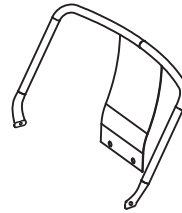
Wooden top
1pc *4

B



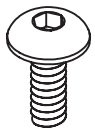
Metal Base
1pc*4

C



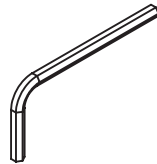
Back
1pc*4

1



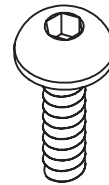
Short Bolts
4pcs *4

2





Wrench
1pc

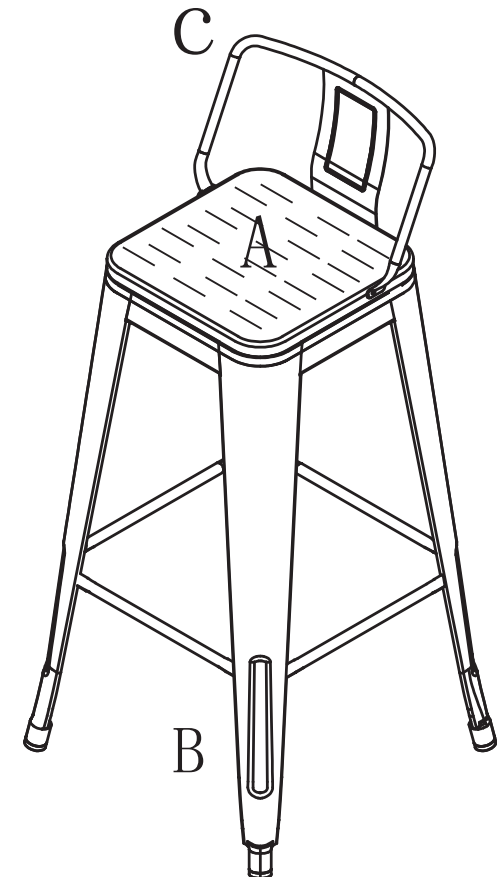
3



Long Bolts
4pcs *4

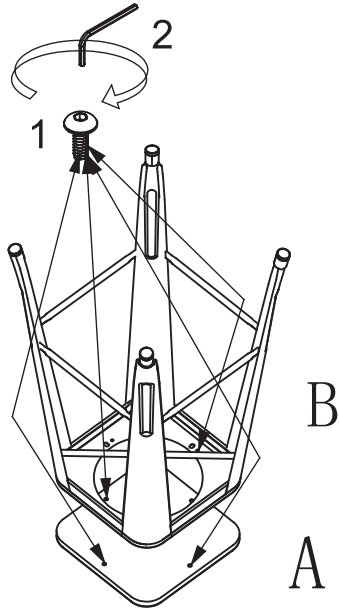
 Before you throw the package, please ensure that you have all the parts needed for the assembly.

 **Hardware Note:**
Please do not completely tighten all the hardware, until the entire assembly is complete.



Step 1:

Attach **(B)** to **(A)** using **(1)** and with **(2)** to tighten.

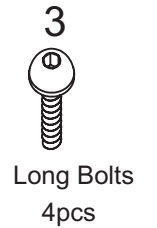
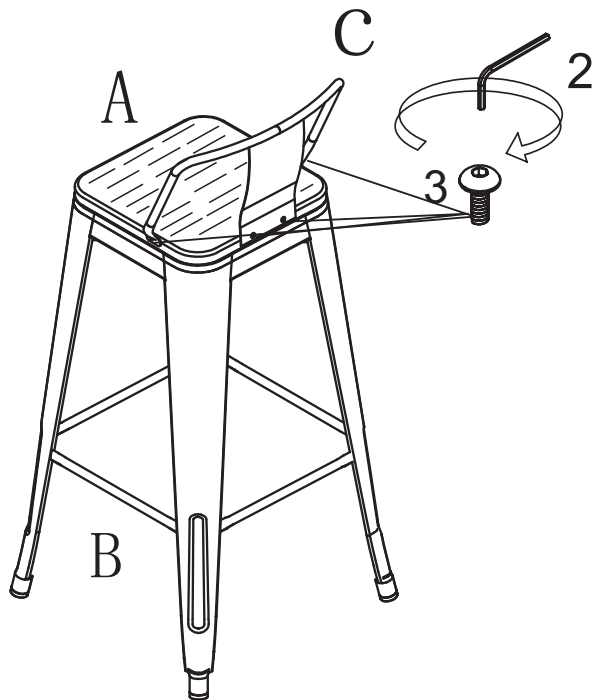


! Please double check the length of the bolts only the short bolts can be used in the first step. Otherwise the wooden seat will be broken.



Step 2:

Attach **(C)** to **(B)** using **(3)** and with **(2)** to tighten.



! **Hardware Note:** Please do not completely tighten all the hardware, until the entire assembly is complete.