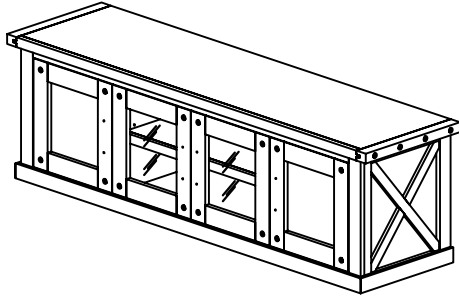
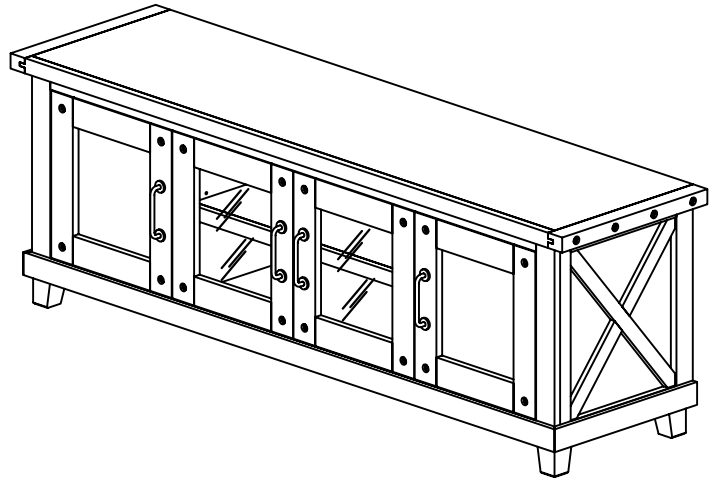


4 DOOR ENTERTAINMENT CENTER ASSEMBLY INSTRUCTIONS

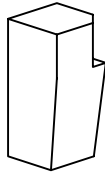
A. CASE GOOD 1PC



4 DOOR ENTERTAINMENT
CENTER ASSEMBLY INSTRUCTIONS



B. LEGS 4PCS



C. SUPPORT LEG 2PCS



HARDWARE PACKED IN CARTON

| | | | | | | | | | | | | | | |
|---|-----------------------|-----------|---|---------------------|-----------|---|--------|-----------|---|--------------------------|-----------|---|-------------------|----------|
| 1 | ALLEN BOLT (M6X50) | 04 PCS | 2 | FLAT WASHER (M9) | 04 PCS | 3 | HANDLE | 04 PCS | 4 | THREADED BOLT (M4X30) | 08 PCS | 5 | ALLEN KEY (M4) | 01 PC |
| | | | | | | | | | | | | | | |

TOOL REQUIRED

PHILLIPS HEAD SCREW
DRIVER NOT PROVIDED

