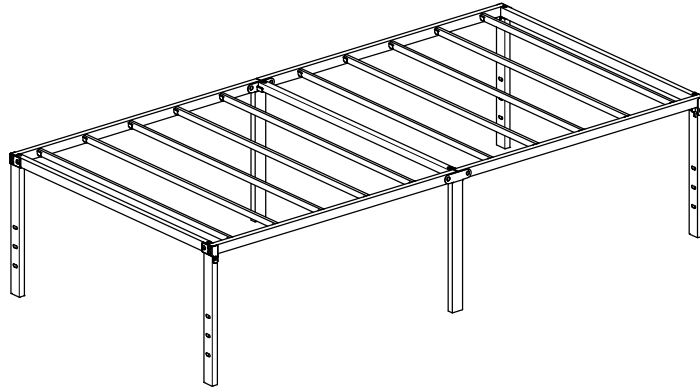


Platform Bed Set-up Instruction

SIZE:Twin/XL Twin

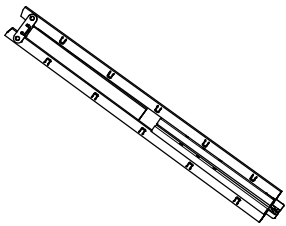
DB-E 40-01/02

If you have any questions about the product, Pls contact us.

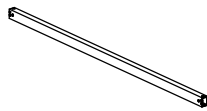


Component composition

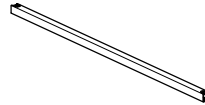
Bed Frame Parts List



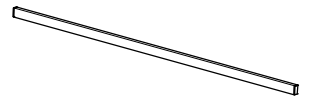
A*2PCS



B*2PCS



M*1PCS

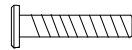


H*10PCS

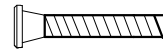
Accessories List



L*12pcs (M6*16)



T*2pcs (M8*32)

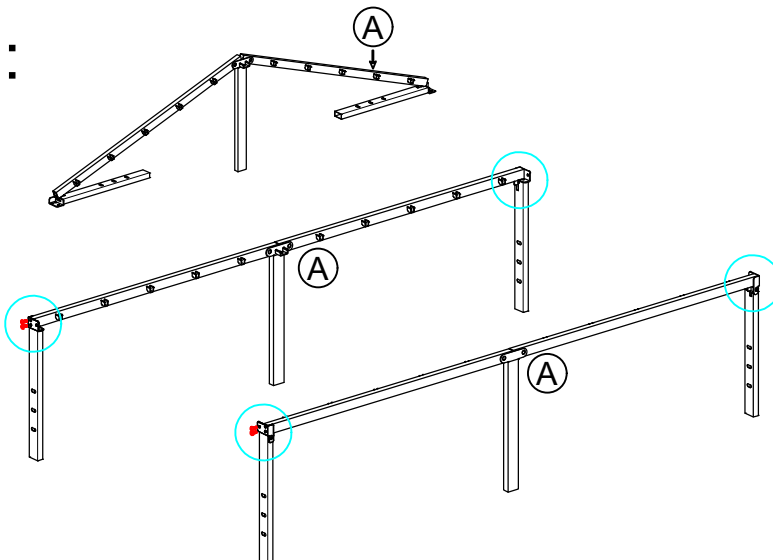


Z*4pcs (M8*37)



N*1pcs

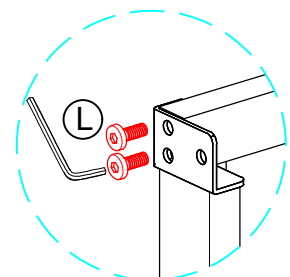
Step1:



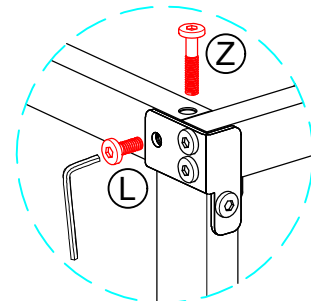
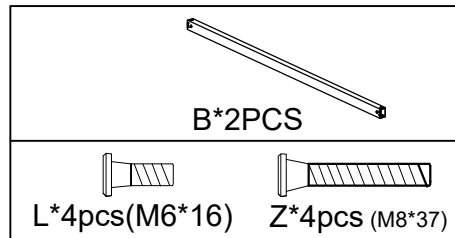
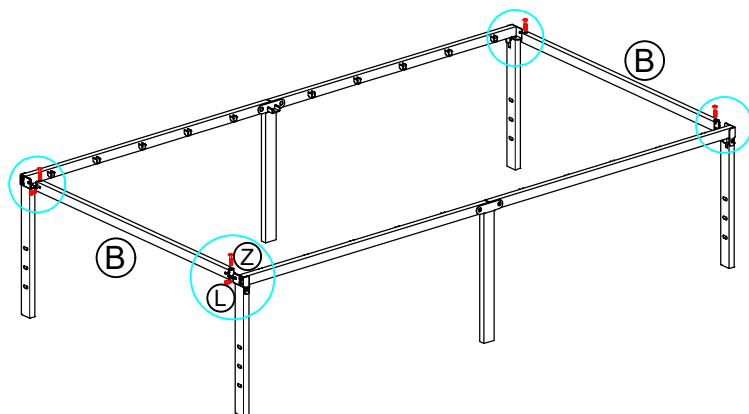
A*2PCS



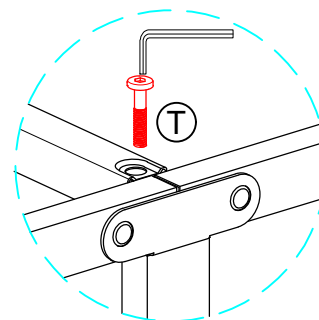
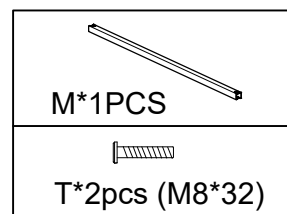
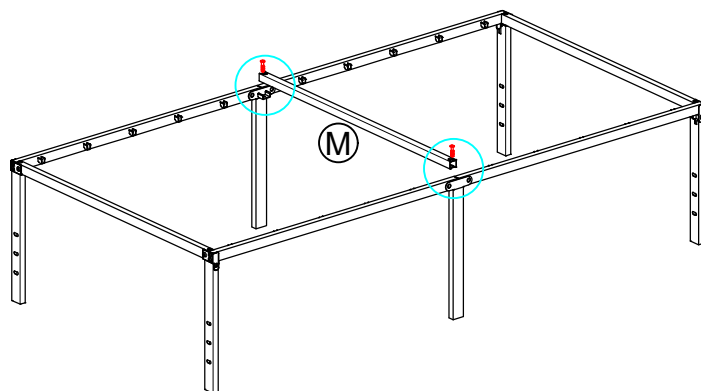
L*8pcs (M6*16)



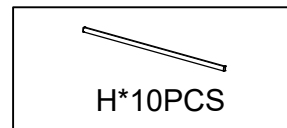
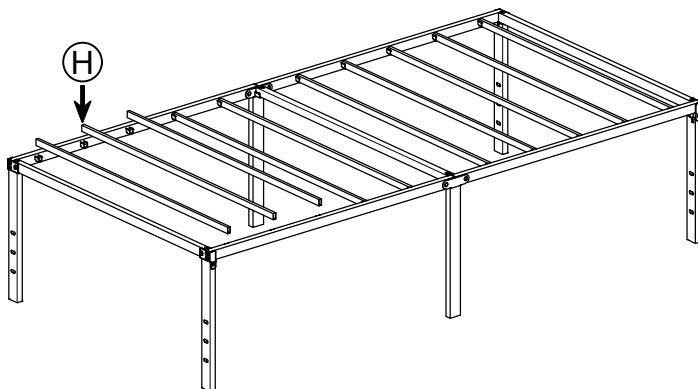
Step2:



Step3:



Step4:



Finally, please tighten all screws to prevent noise.