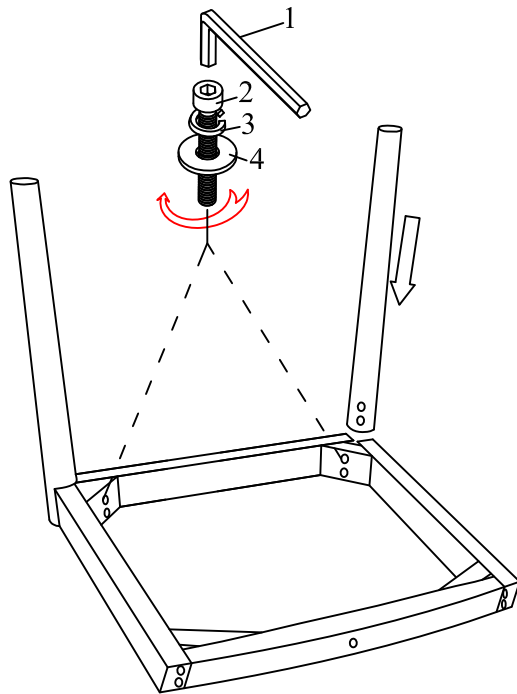
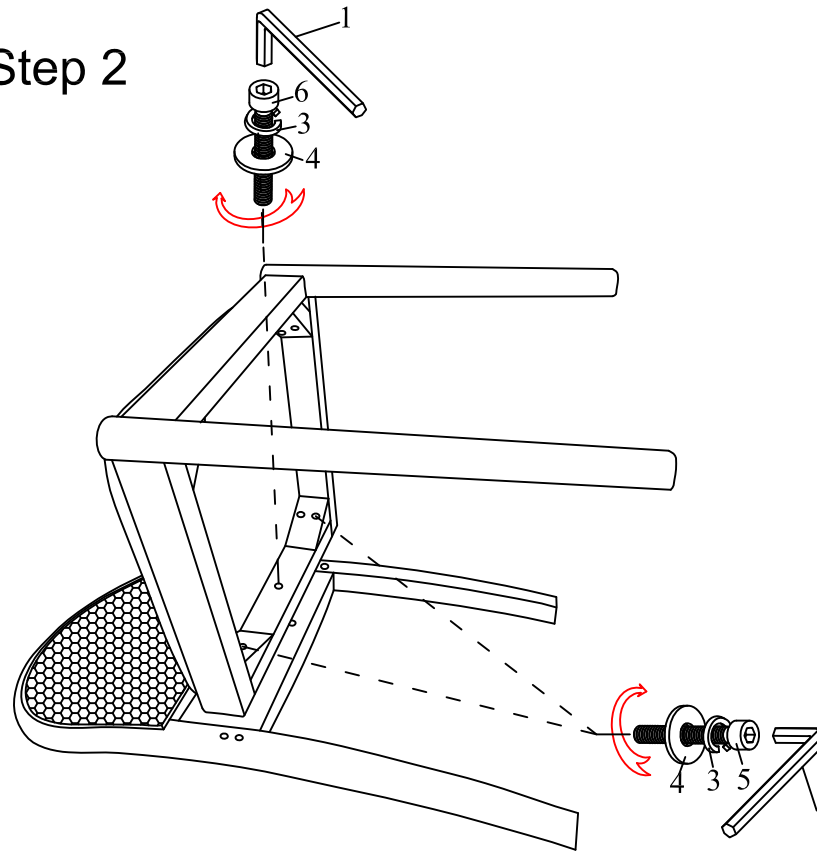


ASSEMBLY INSTRUCTIONS

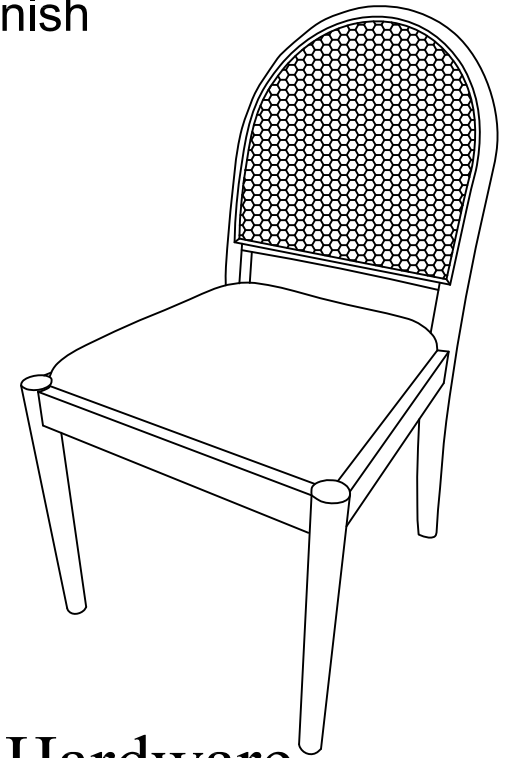
Step 1



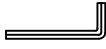




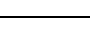
Step 2



Finish



Hardware

1		"L" Wrench	1pc
2		British Bolt 8*70mm	4pcs
3		Spring Washer	9pcs
4		Flat Washer	9pcs
5		British Bolt 8*80mm	4pcs
6		British Bolt 8*60mm	1pcs