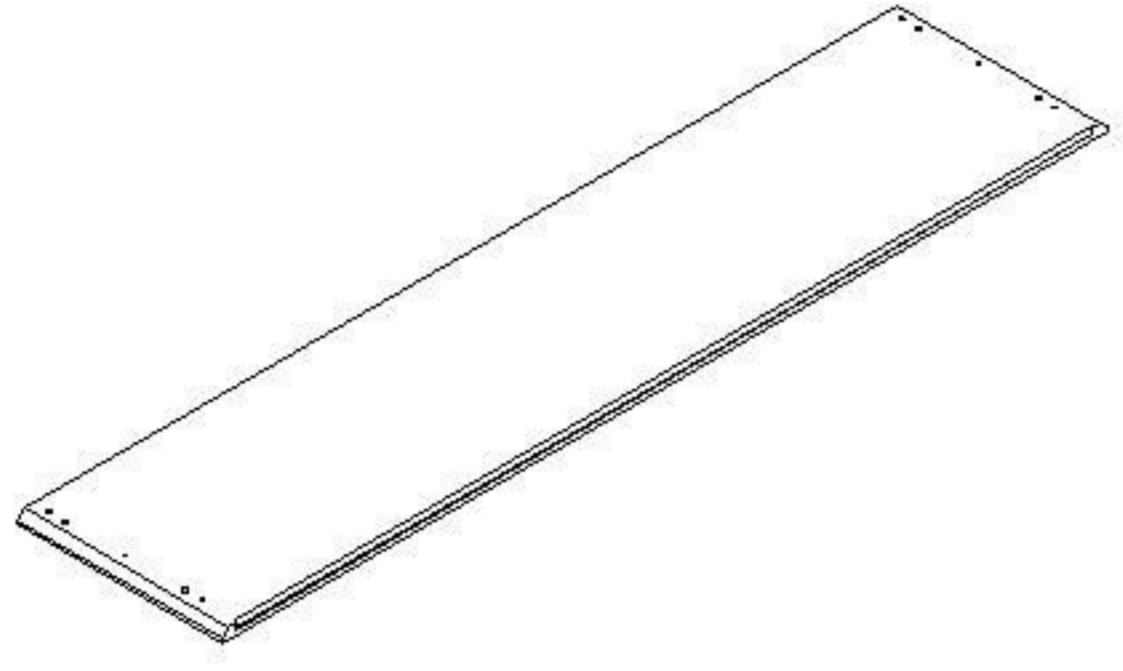
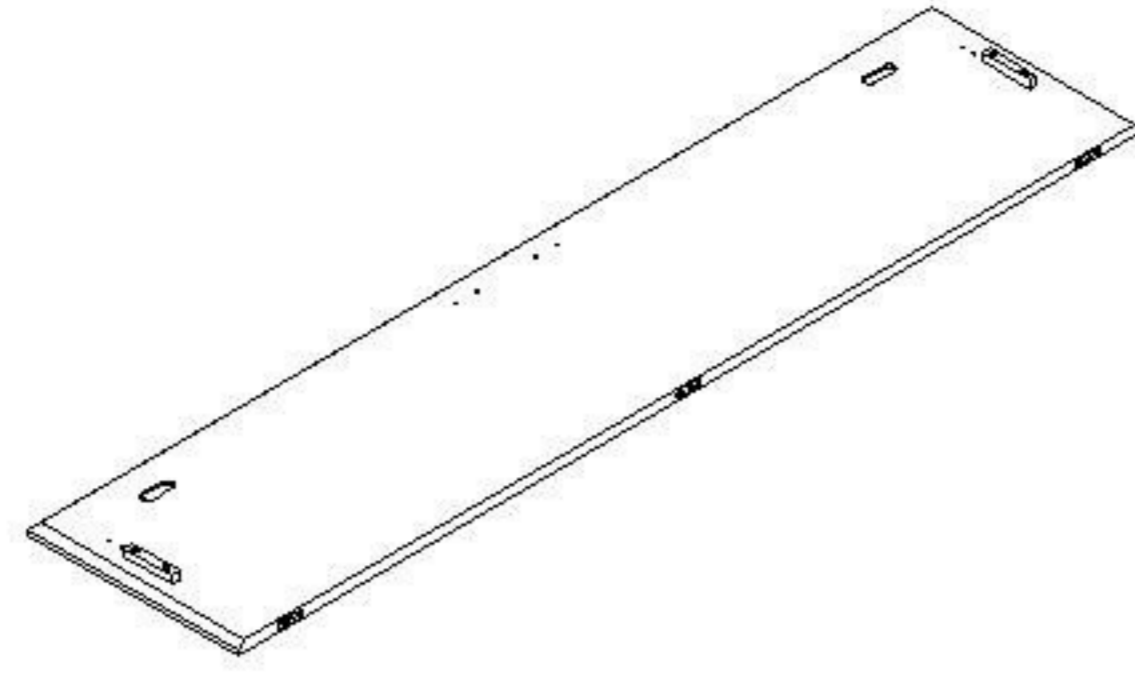


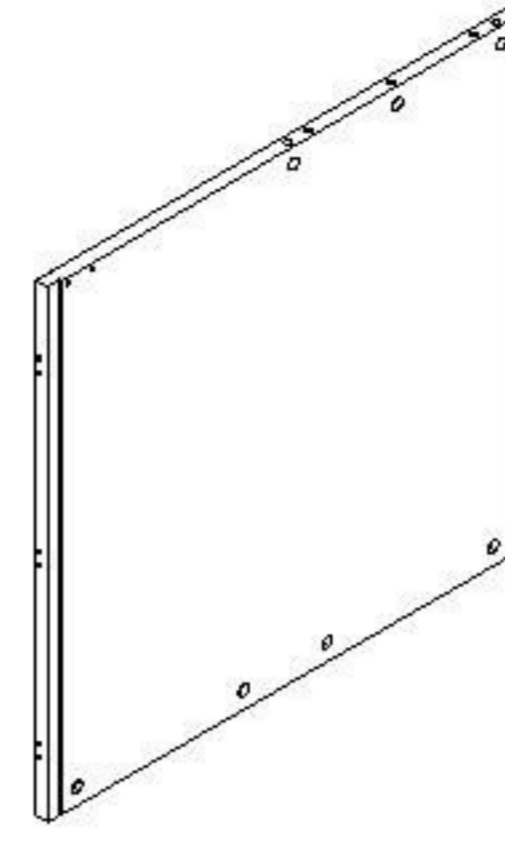
PANELS PART



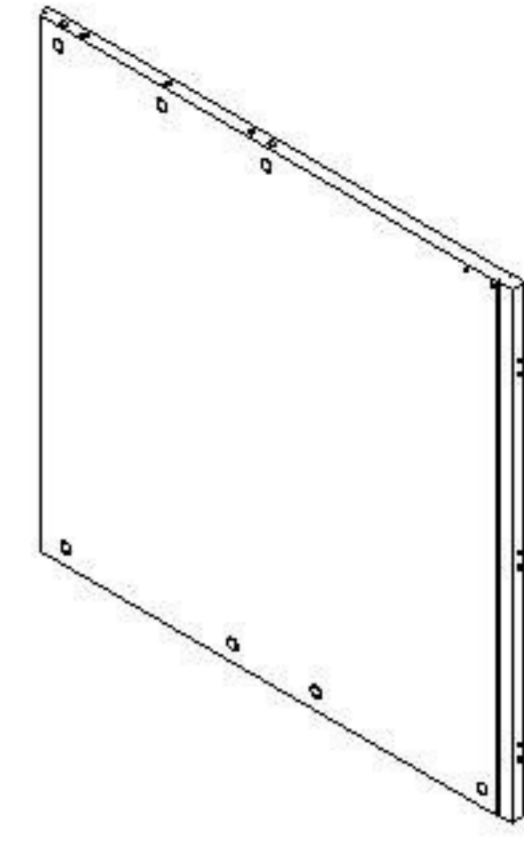
NAME: BACK TOP PANEL
CODE: 1
QTY: 1Pc



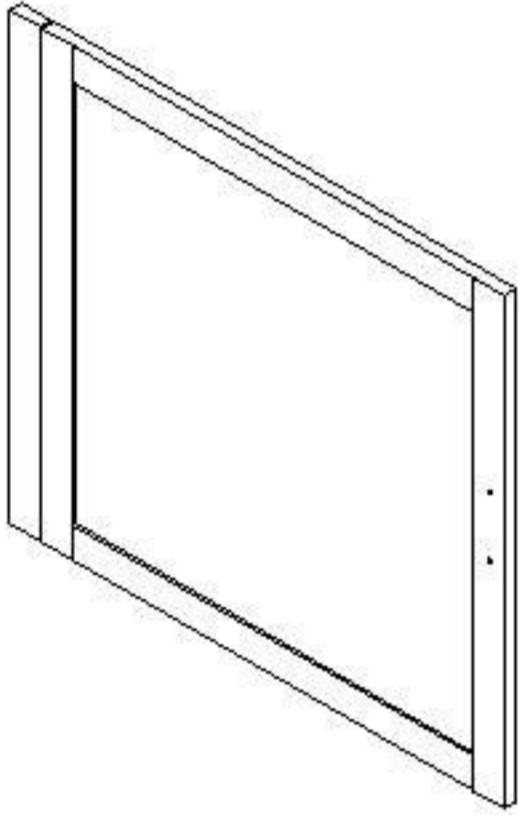
NAME: FRONT TOP PANEL
CODE: 2
QTY: 1Pc



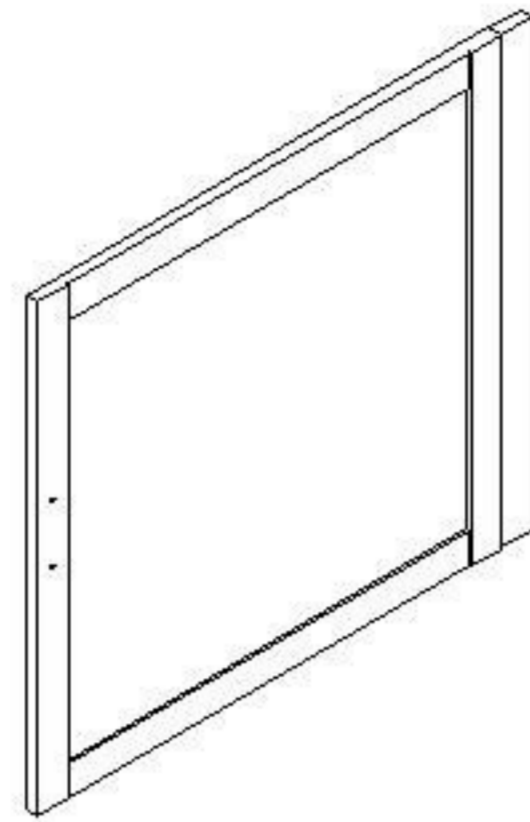
NAME: SIDE PANEL(LEFT)
CODE: 3
QTY: 1Pc



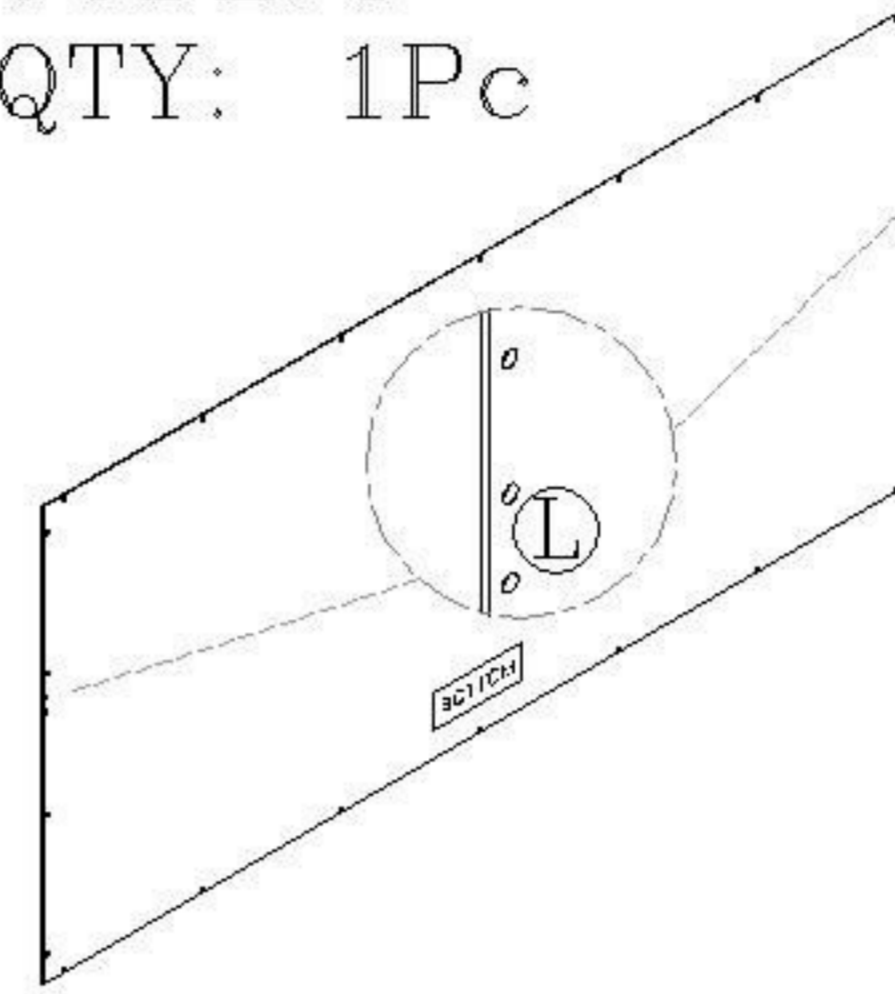
NAME: SIDE PANEL(RIGHT)
CODE: 4
QTY: 1Pc



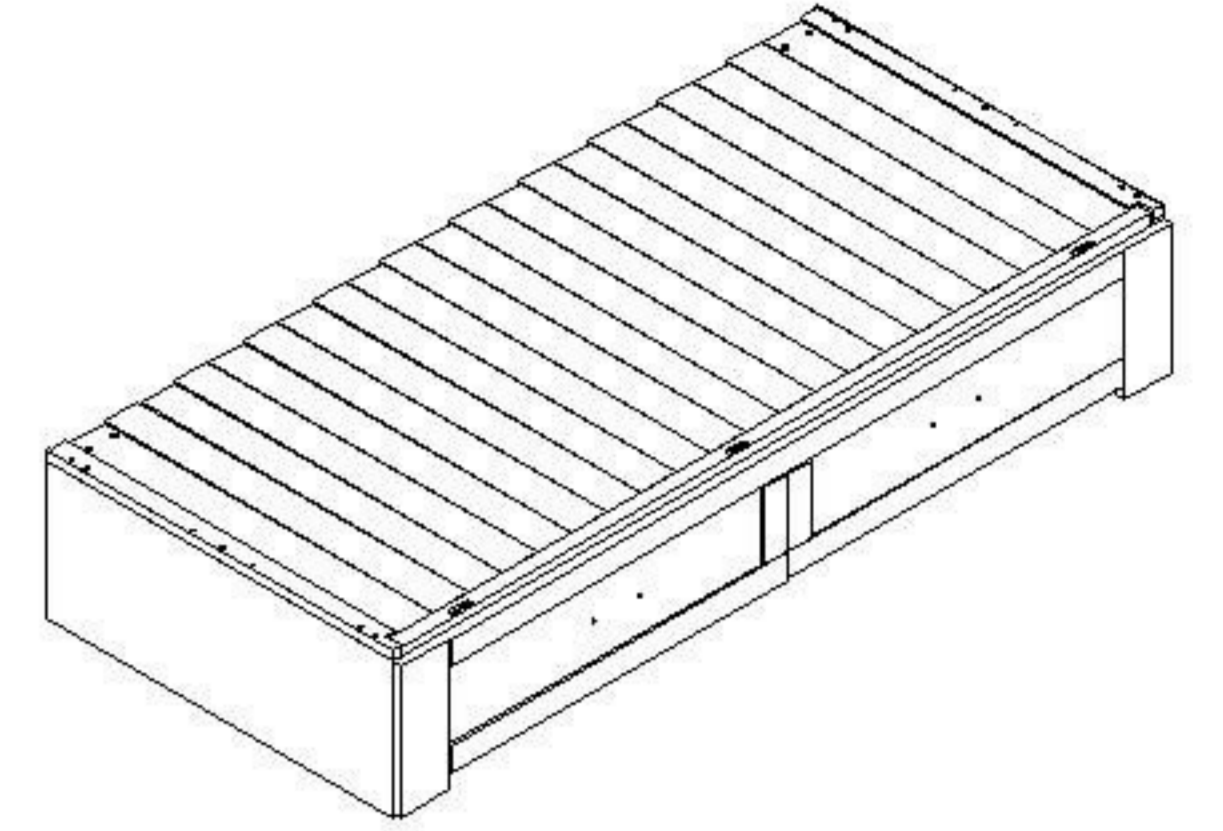
NAME: DOOR (LEFT)
CODE: 5
QTY: 1Pc



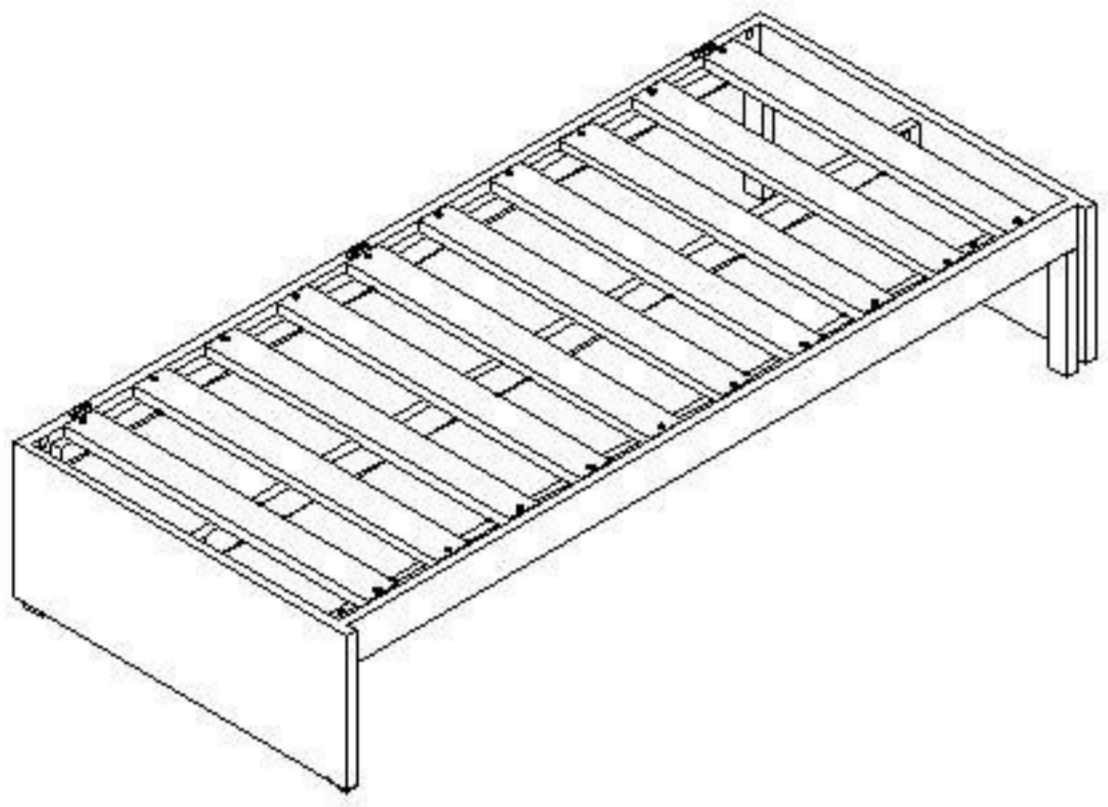
NAME: DOOR (RIGHT)
CODE: 6
QTY: 1Pc



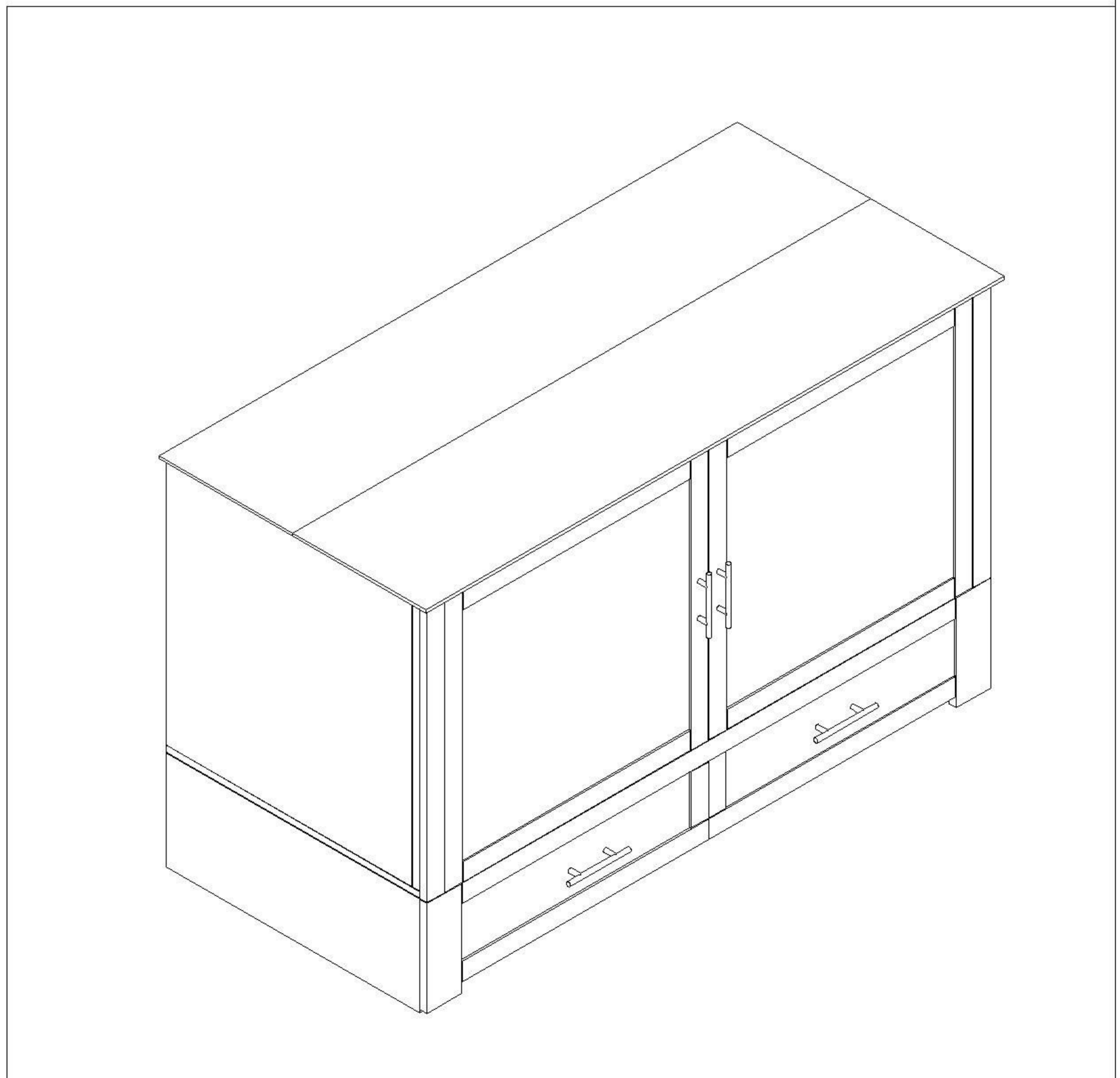
NAME: BACK PLY
CODE: 7
QTY: 1Pc



NAME: FRAME&DRAWER BOX
CODE: 8
QTY: 1Pc

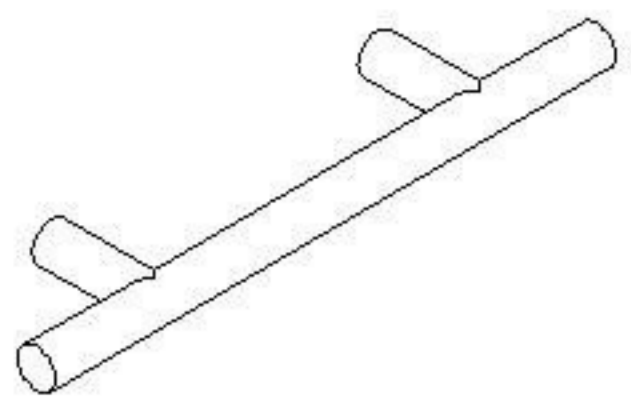


NAME: SLAT BOX
CODE: 9
QTY: 1Pc

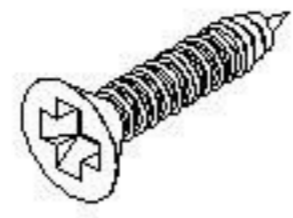


-THE UNIT SHOULD BE ASSEMBLED BY 2 OR MORE PEOPLE
-EXTRA HARDWARE INCLUDED

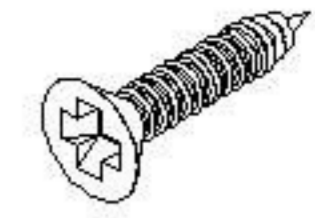
HARDWARE LIST



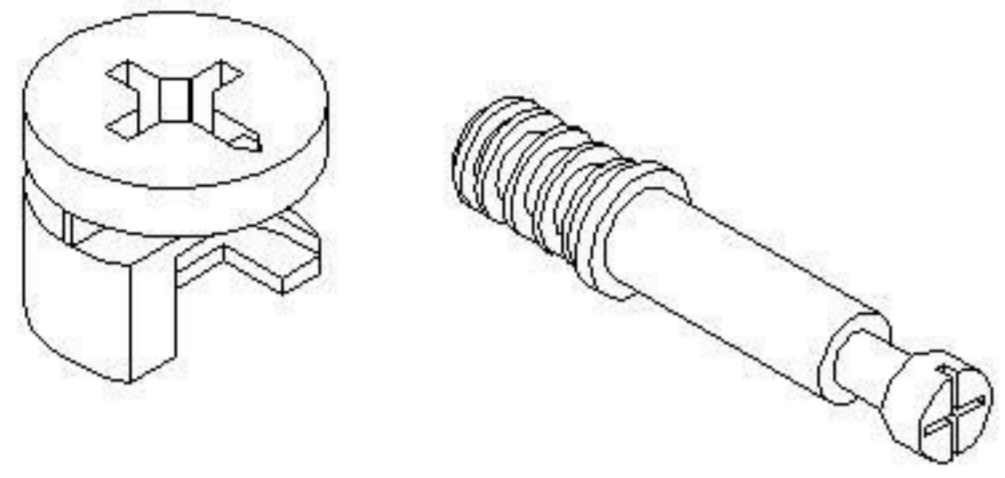
NAME: HANDLE
CODE: A
QTY: 4Pcs



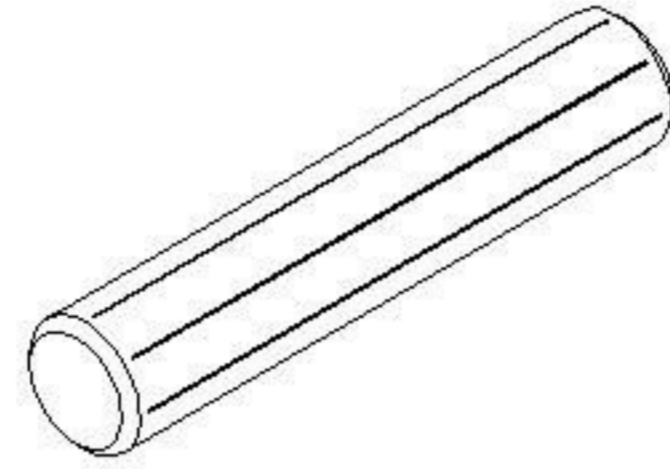
NAME: CHIPBOARD SCREW 4X16mm
CODE: B
QTY: 20Pcs



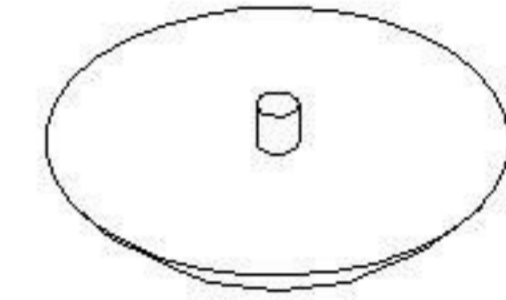
NAME: CHIPBOARD SCREW M3X16mm
CODE: C
QTY: 40Pcs



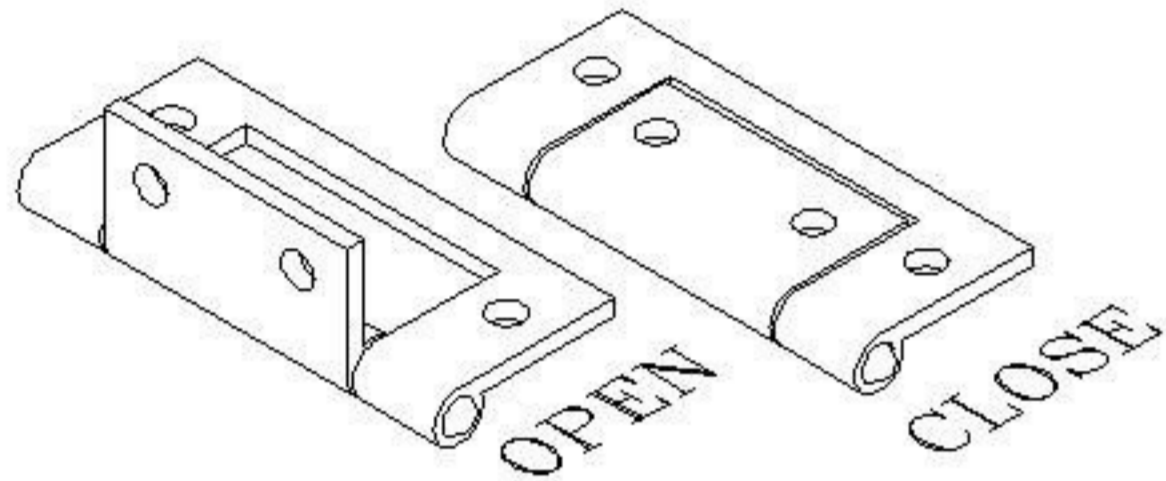
NAME: CAM LOCK & CAM BOLT
CODE: D
QTY: 14Sets



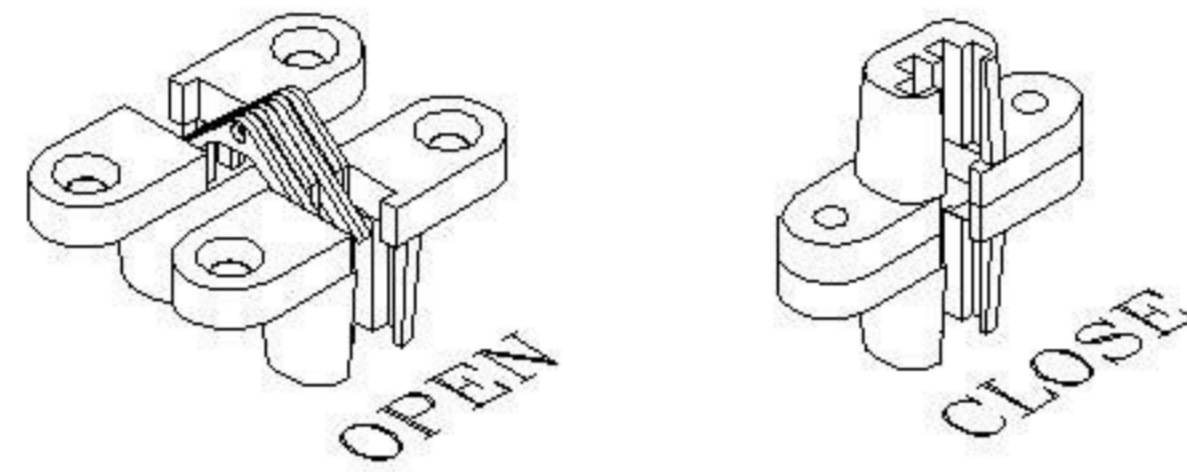
NAME: WOOD DOWEL M8X35mm
CODE: E
QTY: 10Pcs



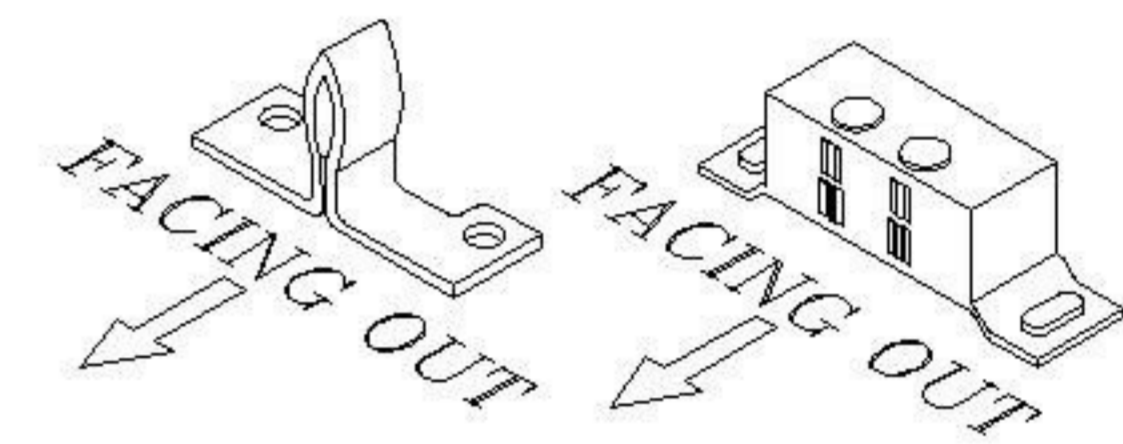
NAME: CAM LOCK COVER
CODE: F
QTY: 14Sets



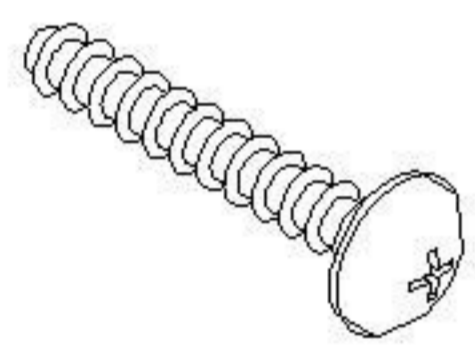
NAME: HINGES (H-19)
CODE: G
QTY: 6Pcs



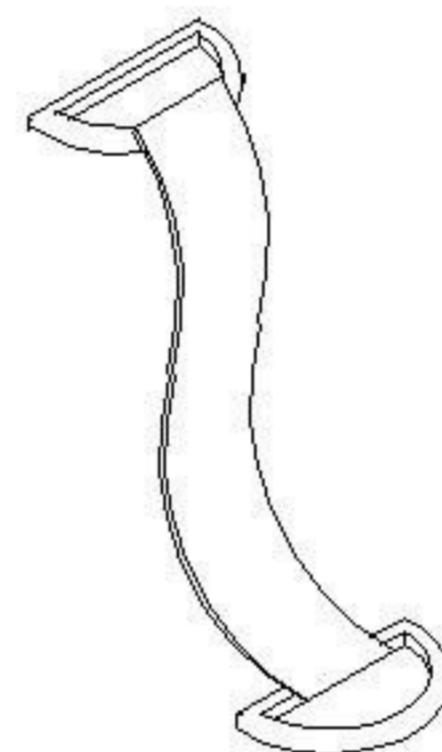
NAME: HINGES (H-61)
CODE: H
QTY: 6Pcs



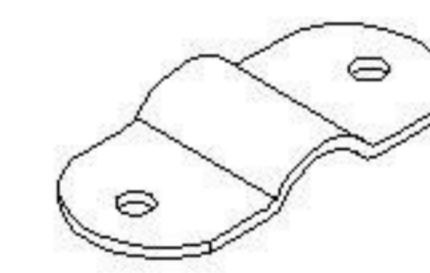
NAME: MAGNET CATCH
CODE: I
QTY: 6PC, 4PC



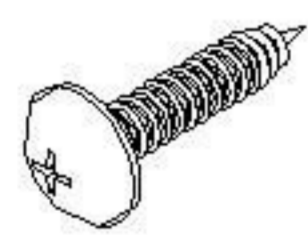
NAME: PANHEAD SCREW M4X22mm
CODE: J
QTY: 8Pcs



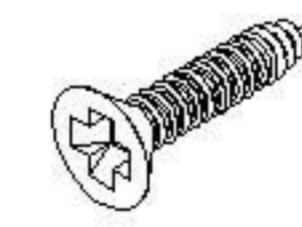
NAME: BELT
CODE: K
QTY: 2Pcs



NAME: BELT PLATE
CODE: L
QTY: 2Pcs

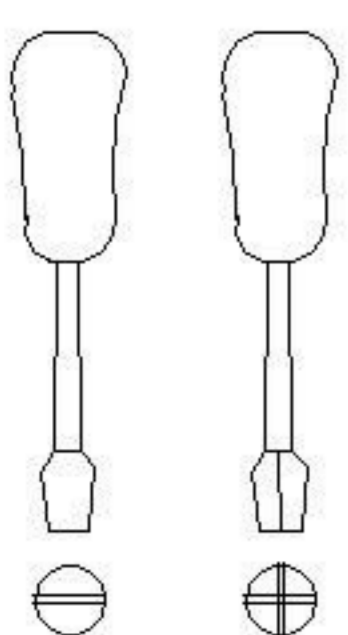


NAME: PANHEAD CHIPBOARD SCREW M4X16mm(BLACK)
CODE: M
QTY: 22Pcs

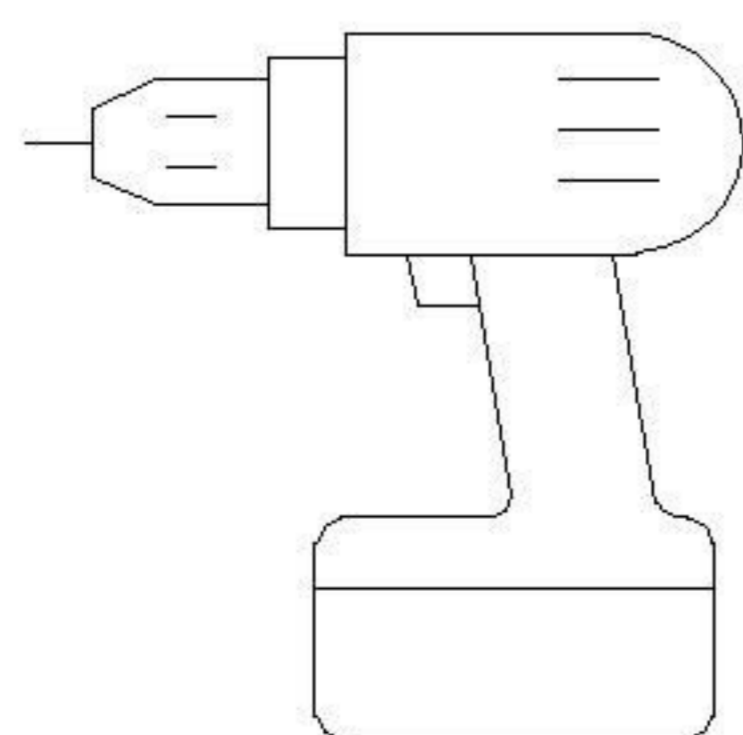


NAME: CHIPBOARD SCREW M3X20mm
CODE: N
QTY: 12Pcs

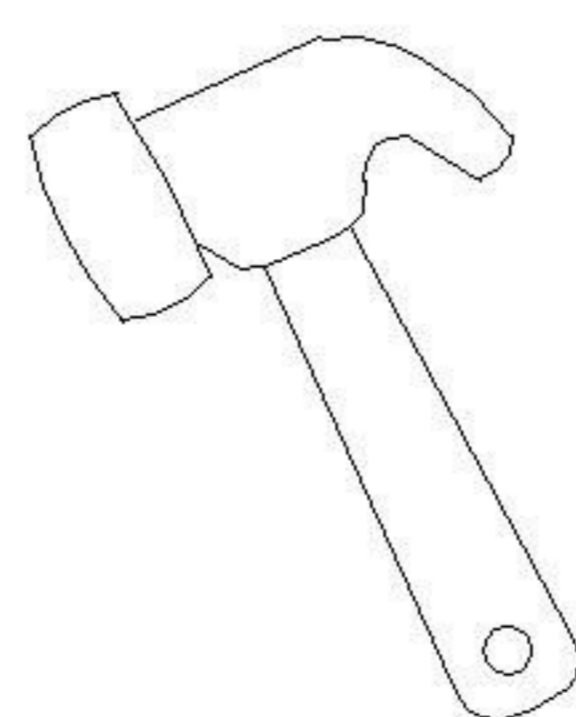
TOOL IST



NAME: SCREW DRIVER



NAME: BATTERY GUN

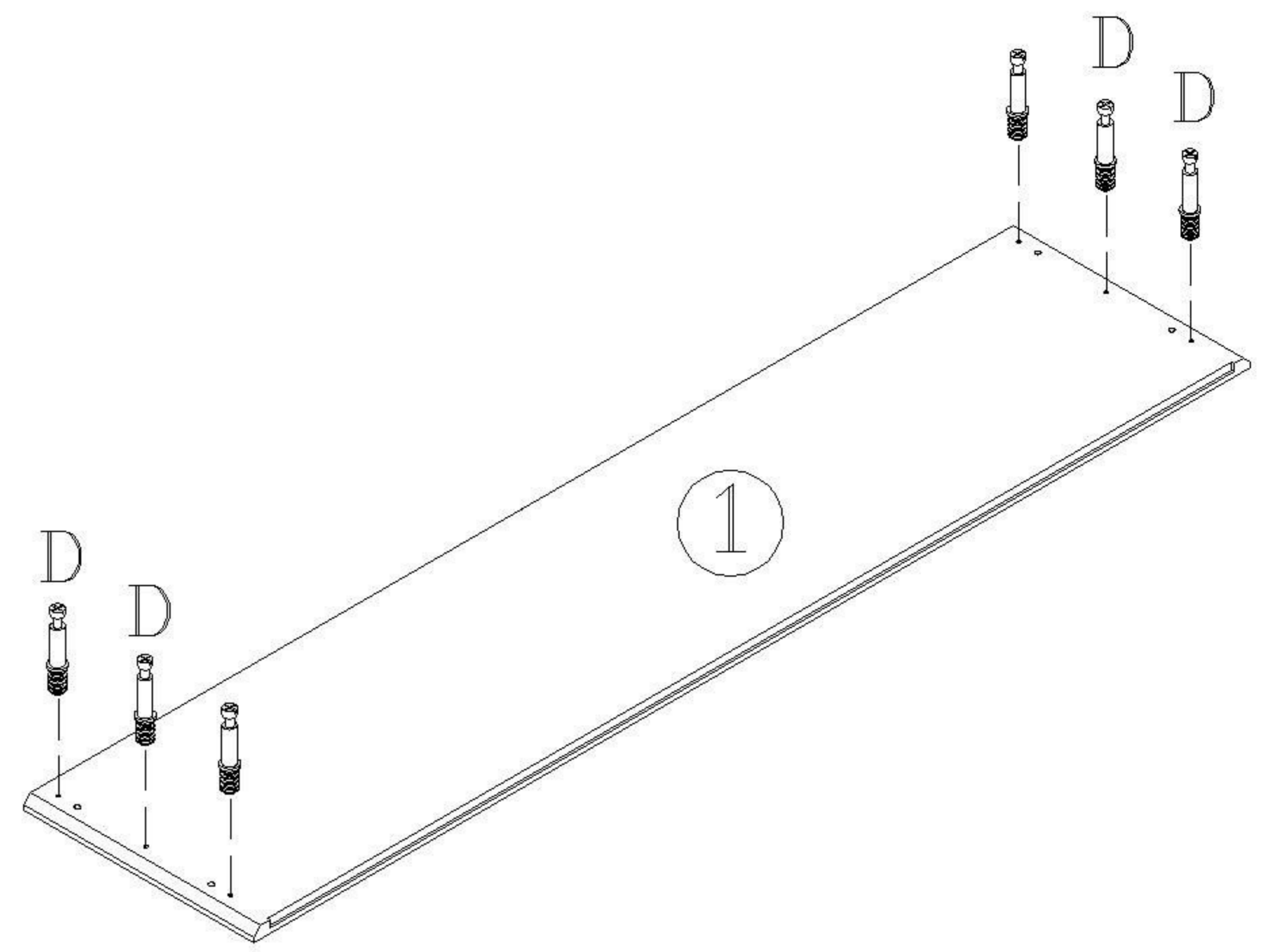


NAME: HAMMER

STEP 1

- A) Insert & secure Cam Bolt(D) to Back Top Panel(1)

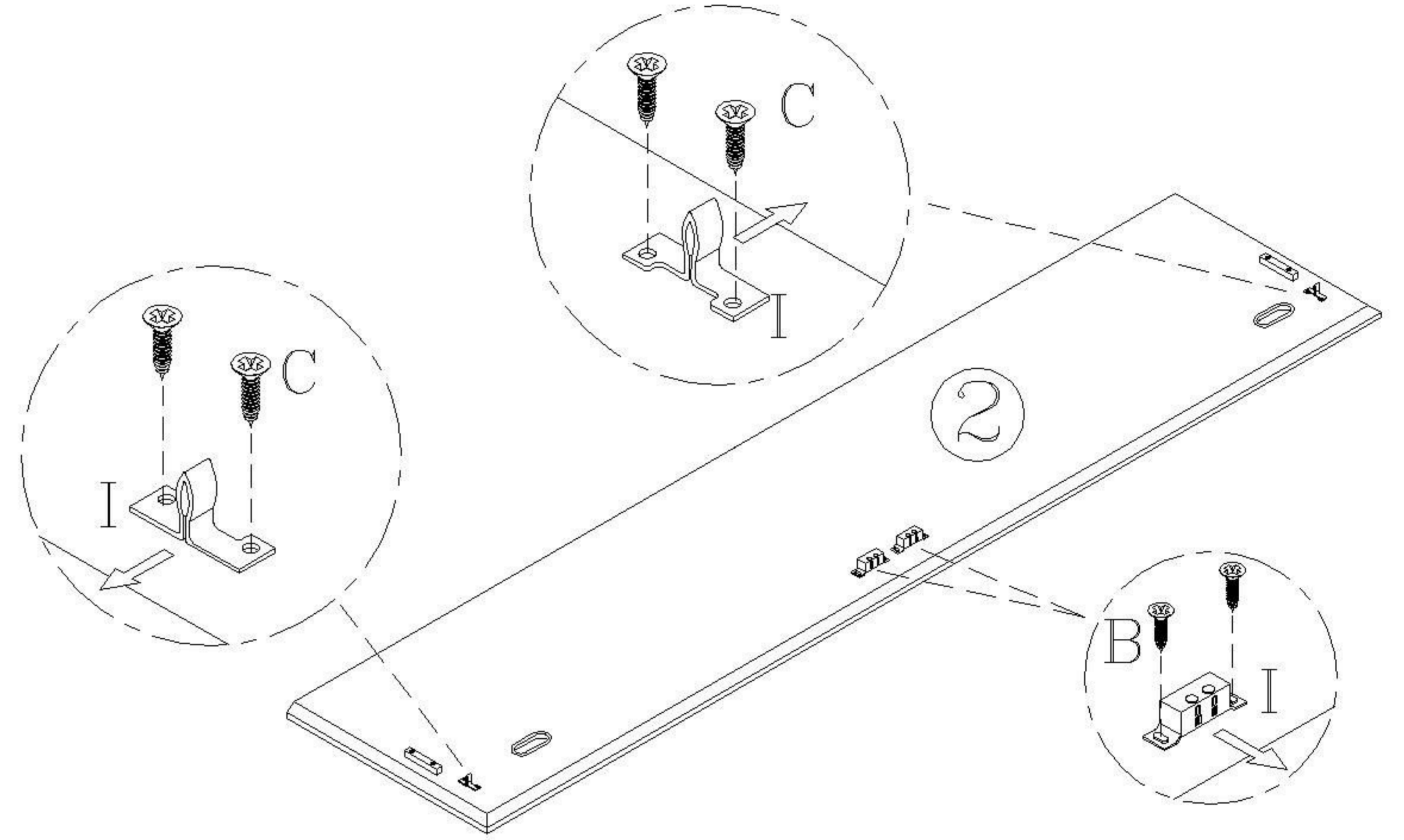
NOTE : Do not over tighten the screw

STEP 2

- A) Attach Magnet Catch(I) to Front Top Panel(2) secure using Chipboard Screw(B&C)

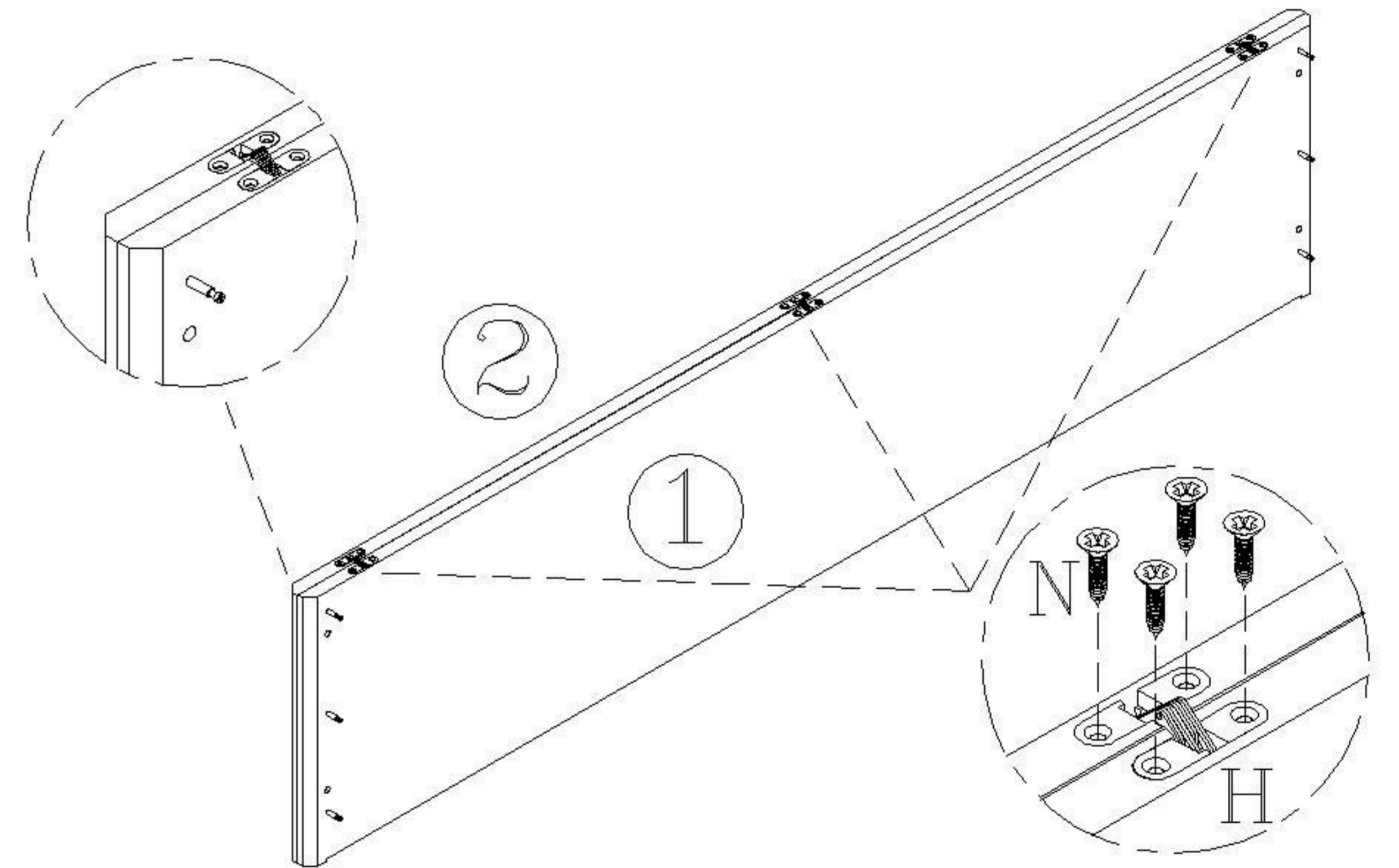
NOTE : Do not over tighten the screw

NOTE : Make sure Magnet Catch is facing towards panel edge

STEP 3

- A) Attach Hinges(H) to Front&Back Panel(1&2) secure using Chipboard Screw(N)

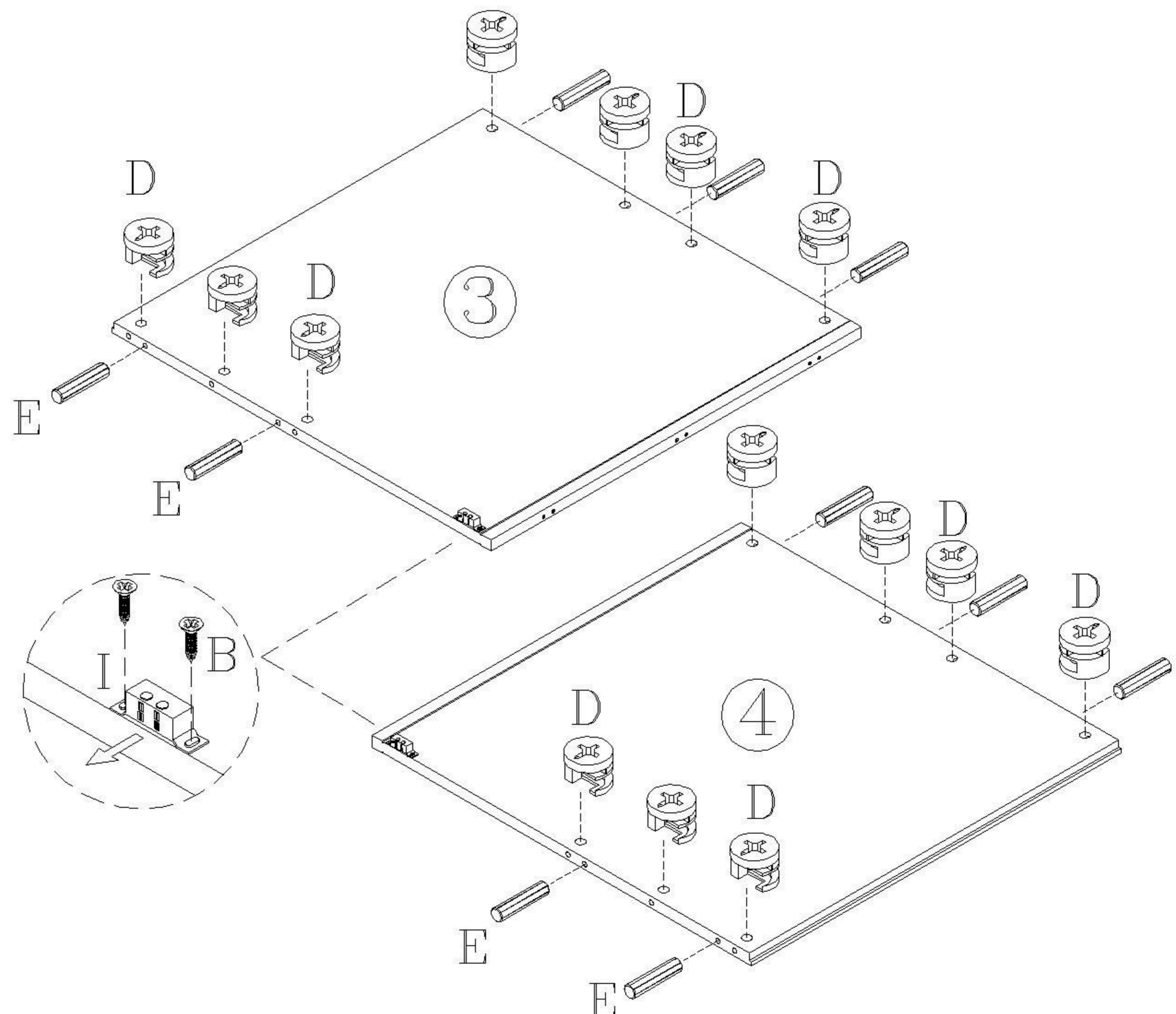
NOTE : Do not over tighten the screw

STEP 4

- A) Insert Wood Dowel(E) to Left&Right Side Panel(3&4)
- B) Attach Cam Lock(D) to Left&Right Side Panel(3&4)
- C) Attach Magnet Catch(I) to Left&Right Side Panel(3&4) secure using Chipboard Screw(B)

NOTE : Make sure arrows on each Cam Lock points towards nearest edge with holes

NOTE : Make sure Magnet Catch is facing towards panel edge

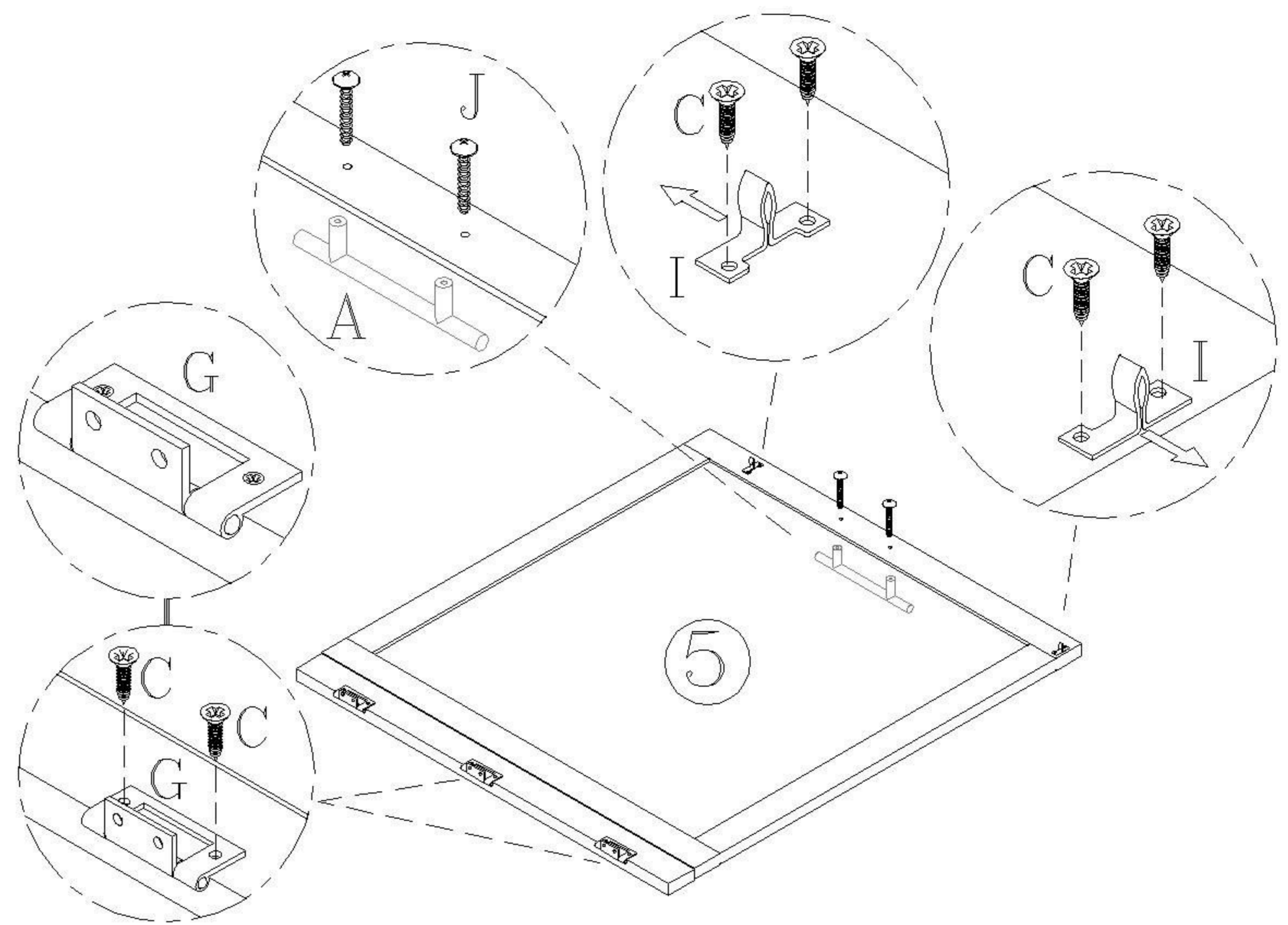


STEP 5

- A) Attach Magnet Catch(I) to Left Door(5) secure using Chipboard Screw(C)
- B) Attach Hinges(G) to Left Door(5) secure using Chipboard Screw(C)
- C) Attach Handle(A) to Left Door(5) using Panhead Screw(J) to secure

NOTE : Do not over tighten the screw

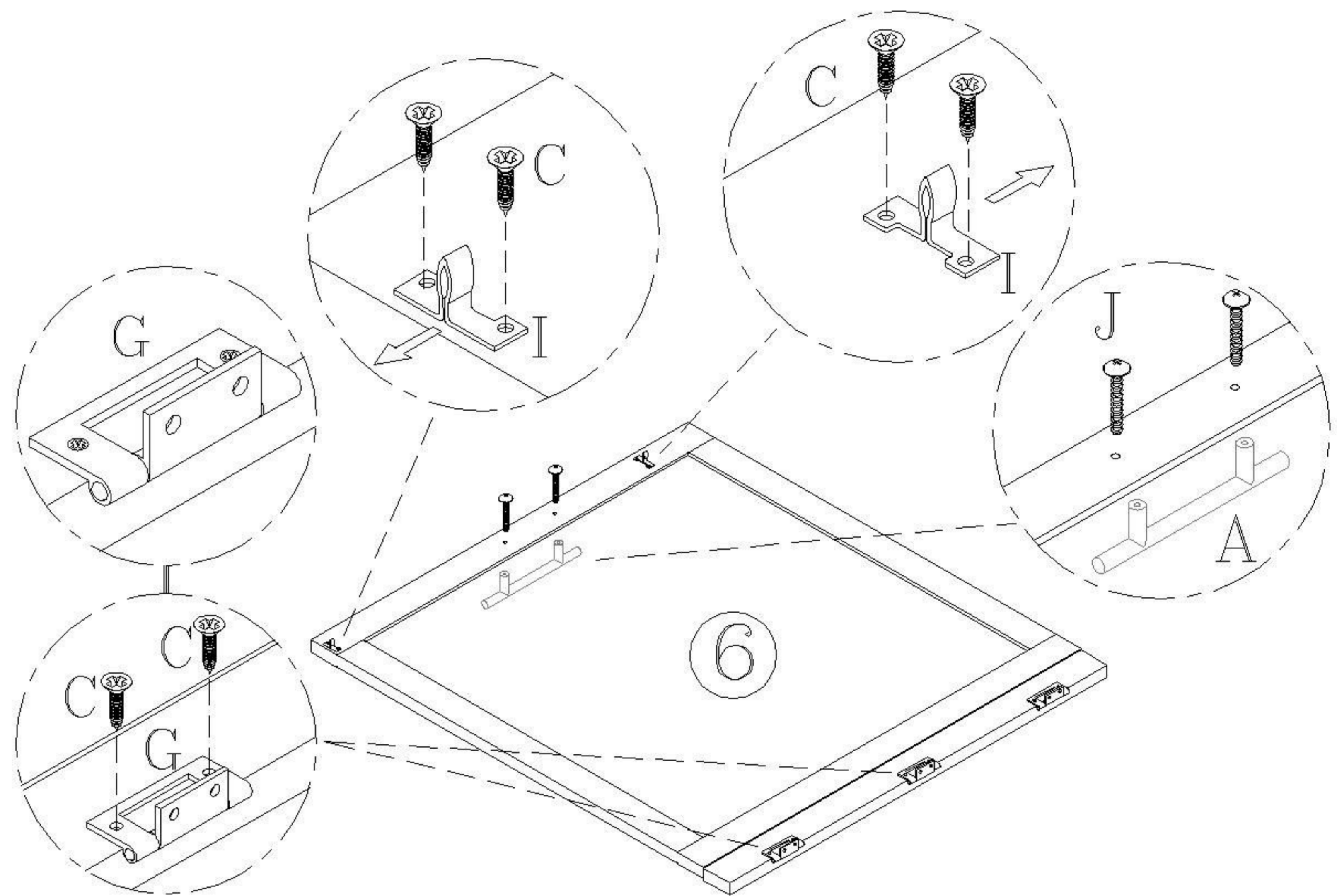
NOTE : Make sure Magnet Catch is facing towards panel edge

STEP 6

- A) Attach Magnet Catch(I) to Right Door(6) secure using Chipboard Screw(C)
- B) Attach Hinges(G) to Right Door(6) secure using Chipboard Screw(C)
- C) Attach Handle(A) to Right Door(6) using Panhead Screw(J) to secure

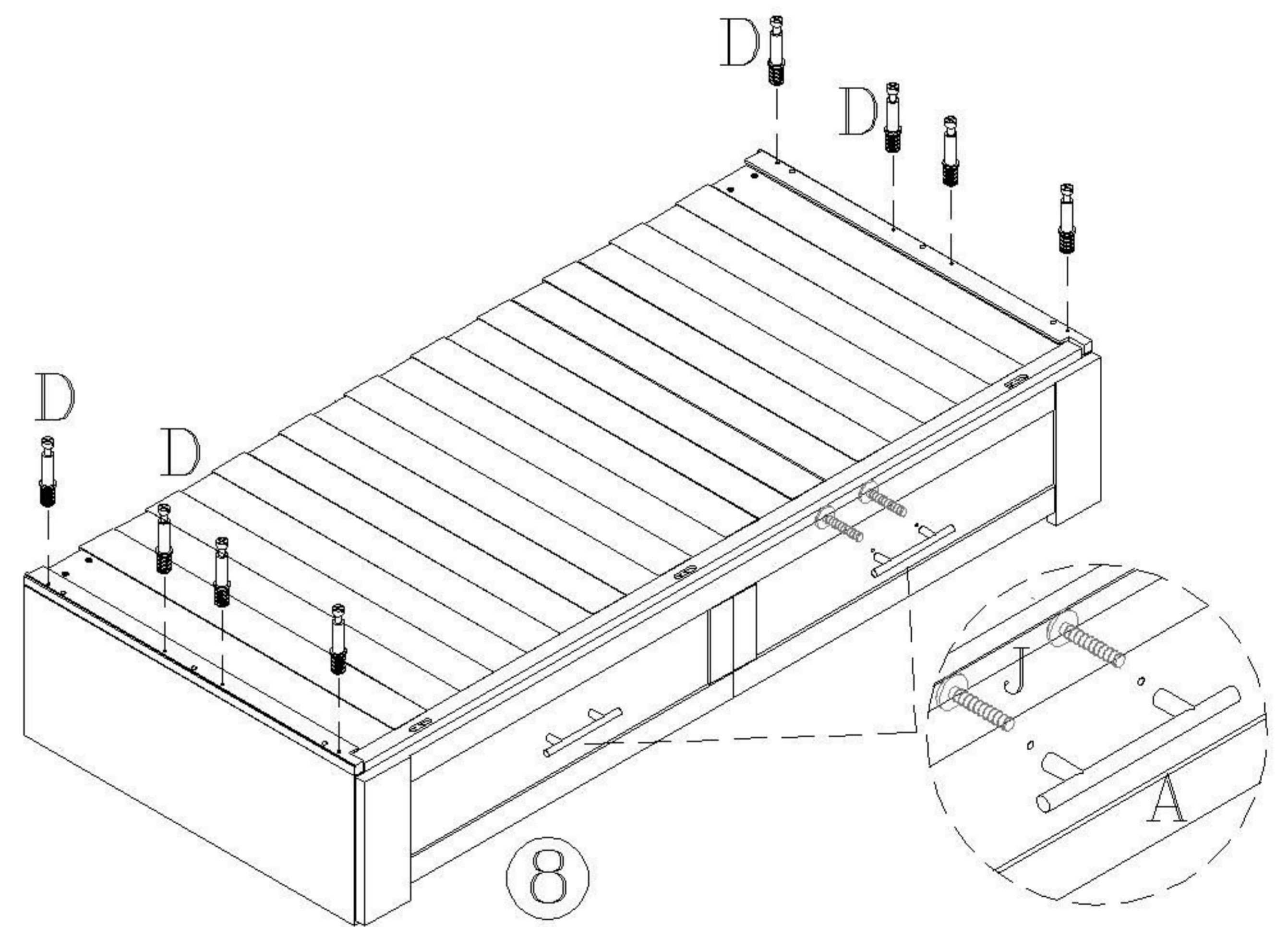
NOTE : Do not over tighten the screw

NOTE : Make sure Magnet Catch is facing towards panel edge

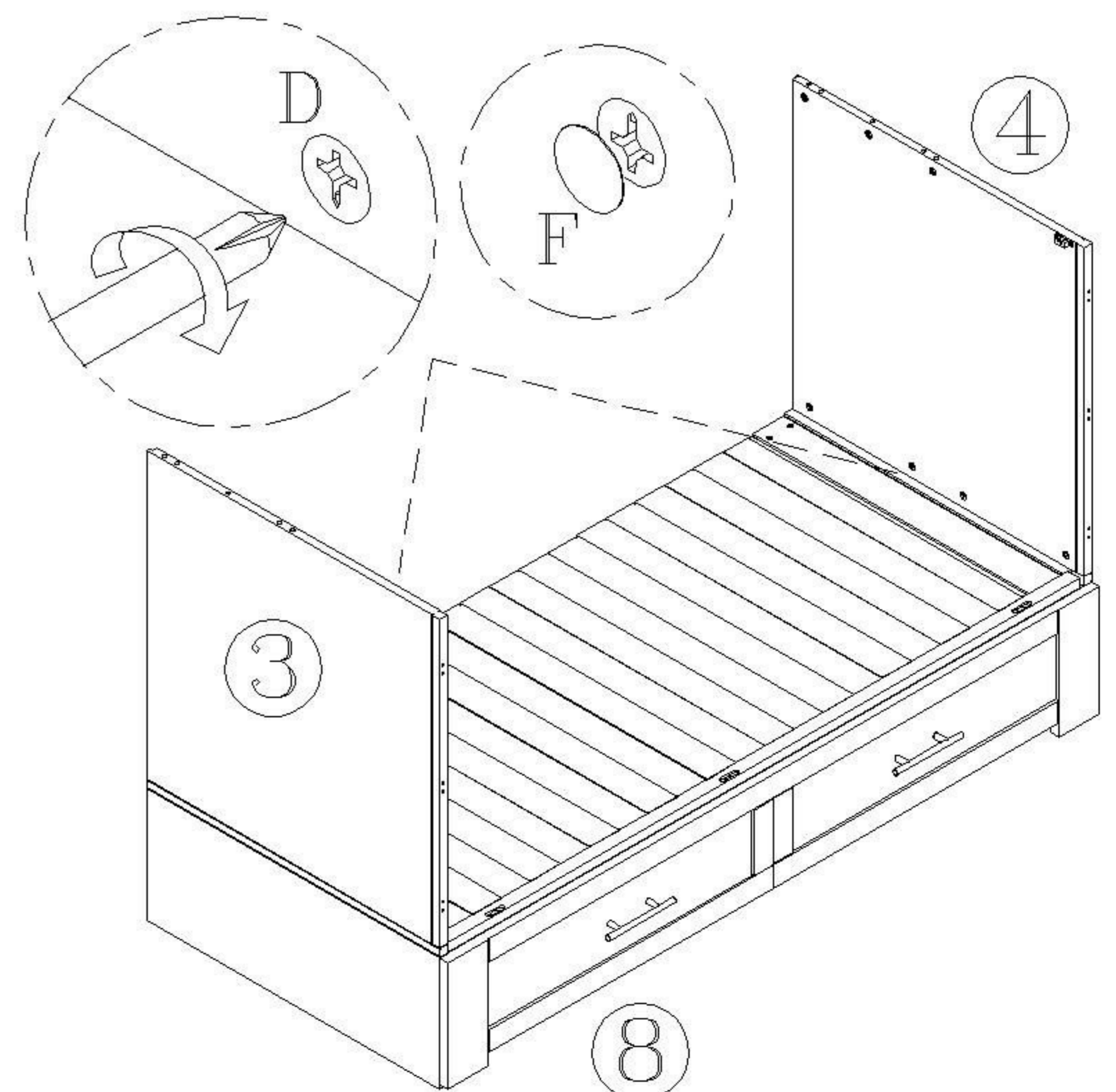
STEP 7

- A) Insert & secure Cam Bolt(D) to Drawer Box(8)
- B) Attach Handle(A) to Drawer Front using Panhead Screw(J) to secure

NOTE : Do not over tighten the screw

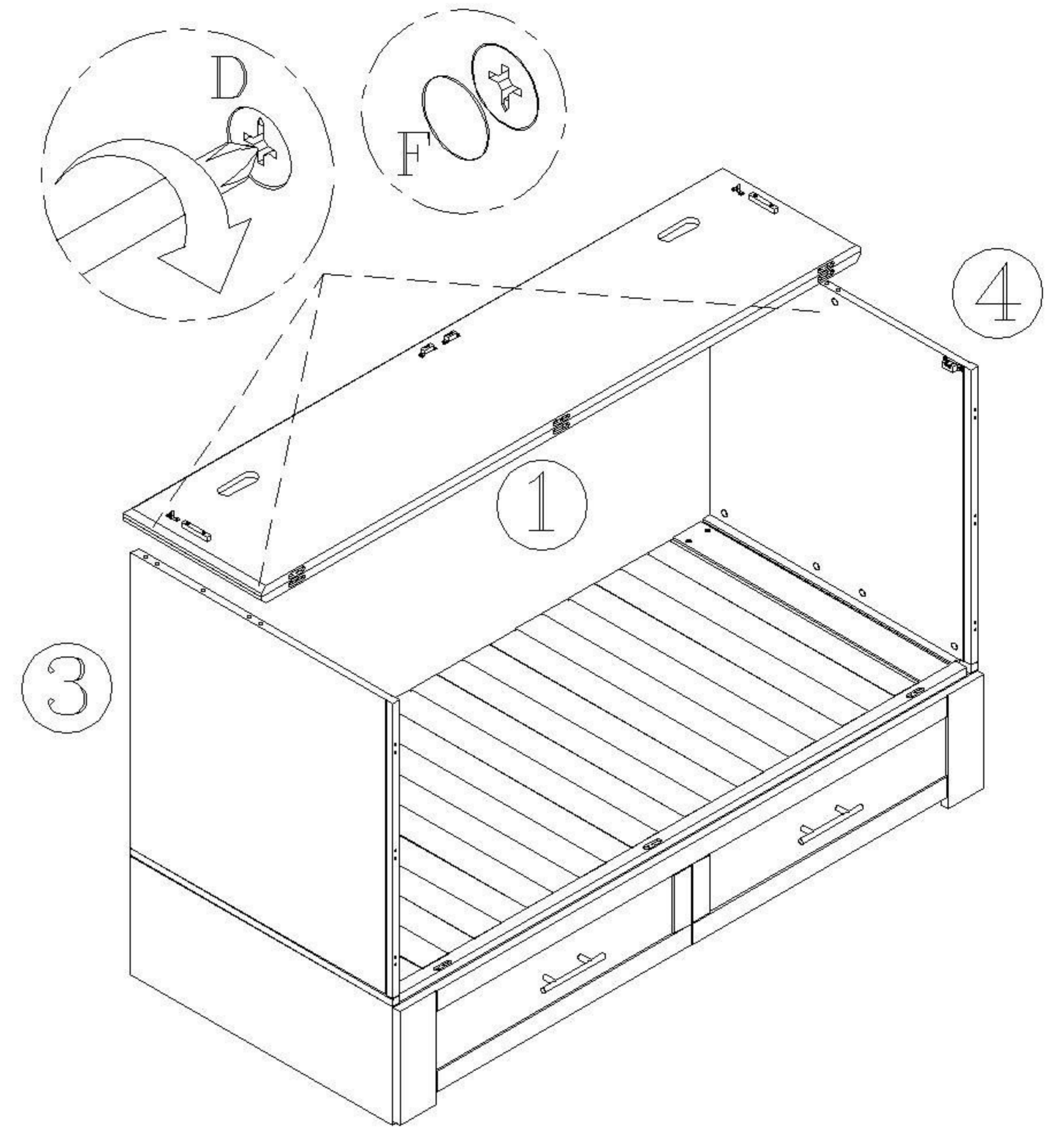
STEP 8

- A) Attach Left&Right Side Panel(3&4) to Drawer Box(8) secure with Cam Lock(D)
- B) Cover Cam Lock(D) with Cam Lock Cover(F)



STEP 9

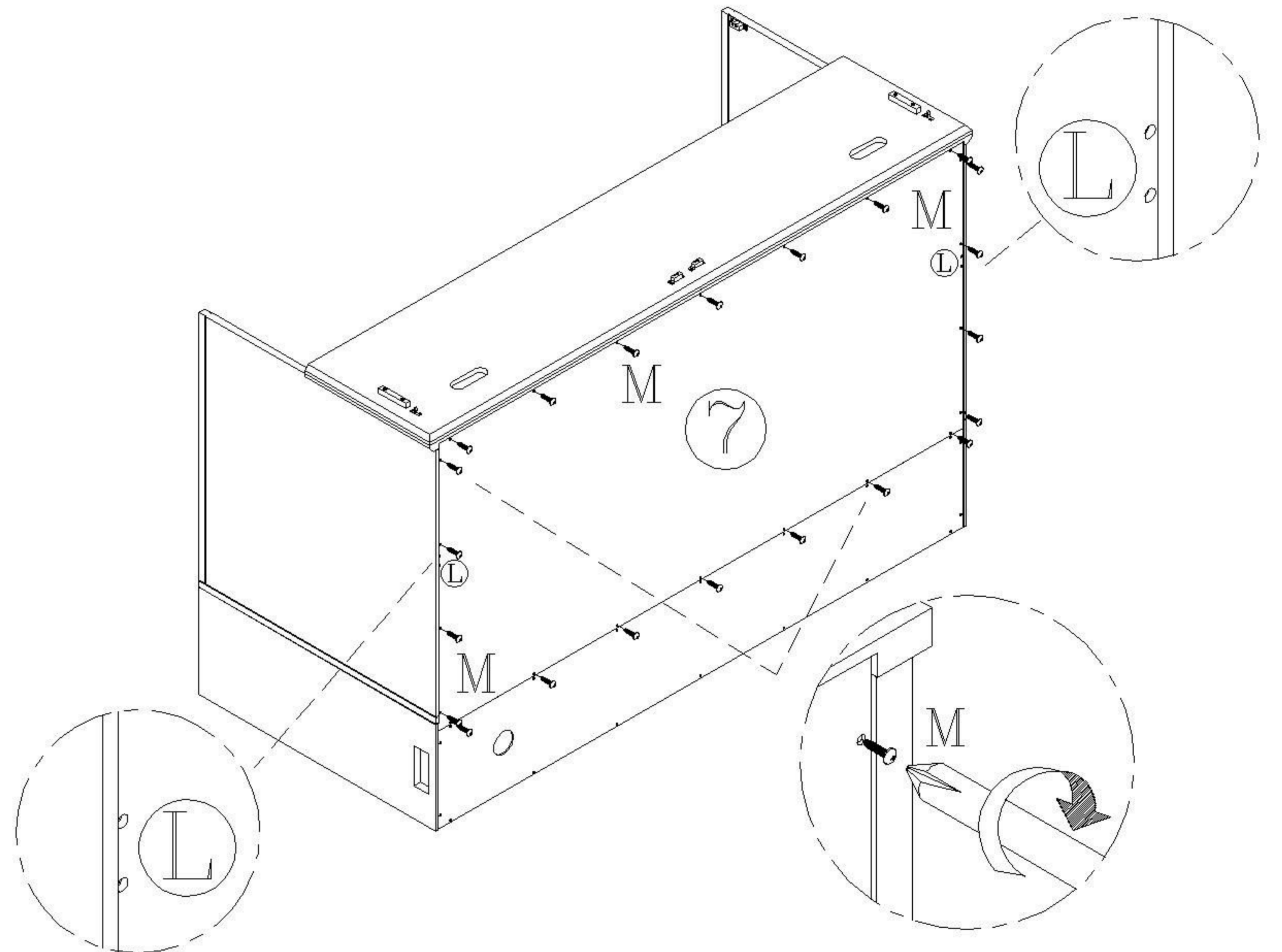
- A) Attach Back Top Panel(1) to Left&Right Side Panel(3&4) secure with Cam Lock(D)
- B) Cover Cam Lock(D) with Cam Lock Cover(F)

STEP 10

- A) Attach Back Plywood(7) to assembled unit using Panhead Chipboard Screw(Black)(M) to secure

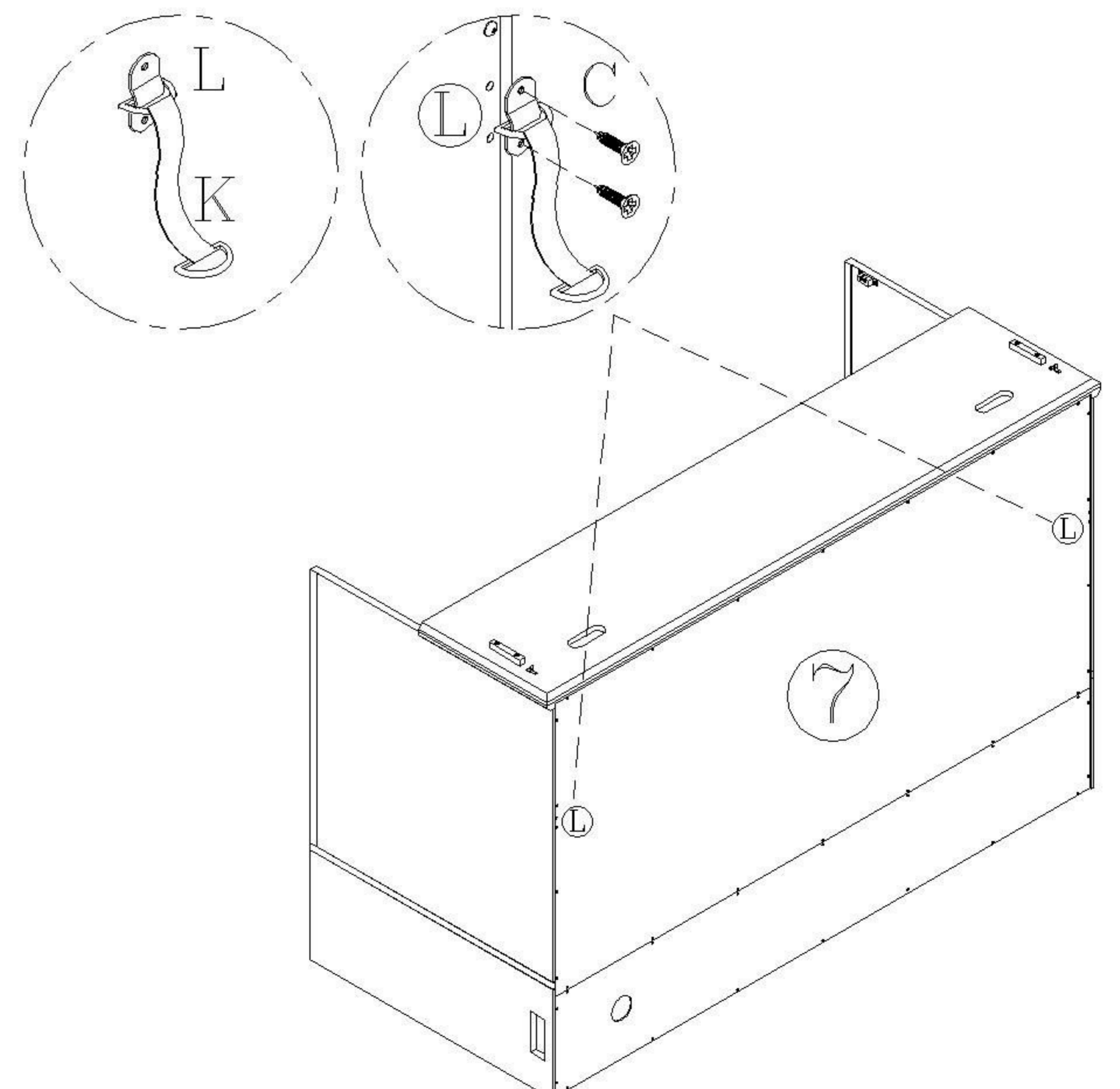
NOTE : Do not over tighten the screw

REMARK L : Refer to Step 11

STEP 11

- A) Place Belt(K) to Belt Plate(L)
- B) Attach Belt Plate(L) to Back Plywood(7) and secure using Chipboard Screw(C) to secure

NOTE : Do not over tighten the screw

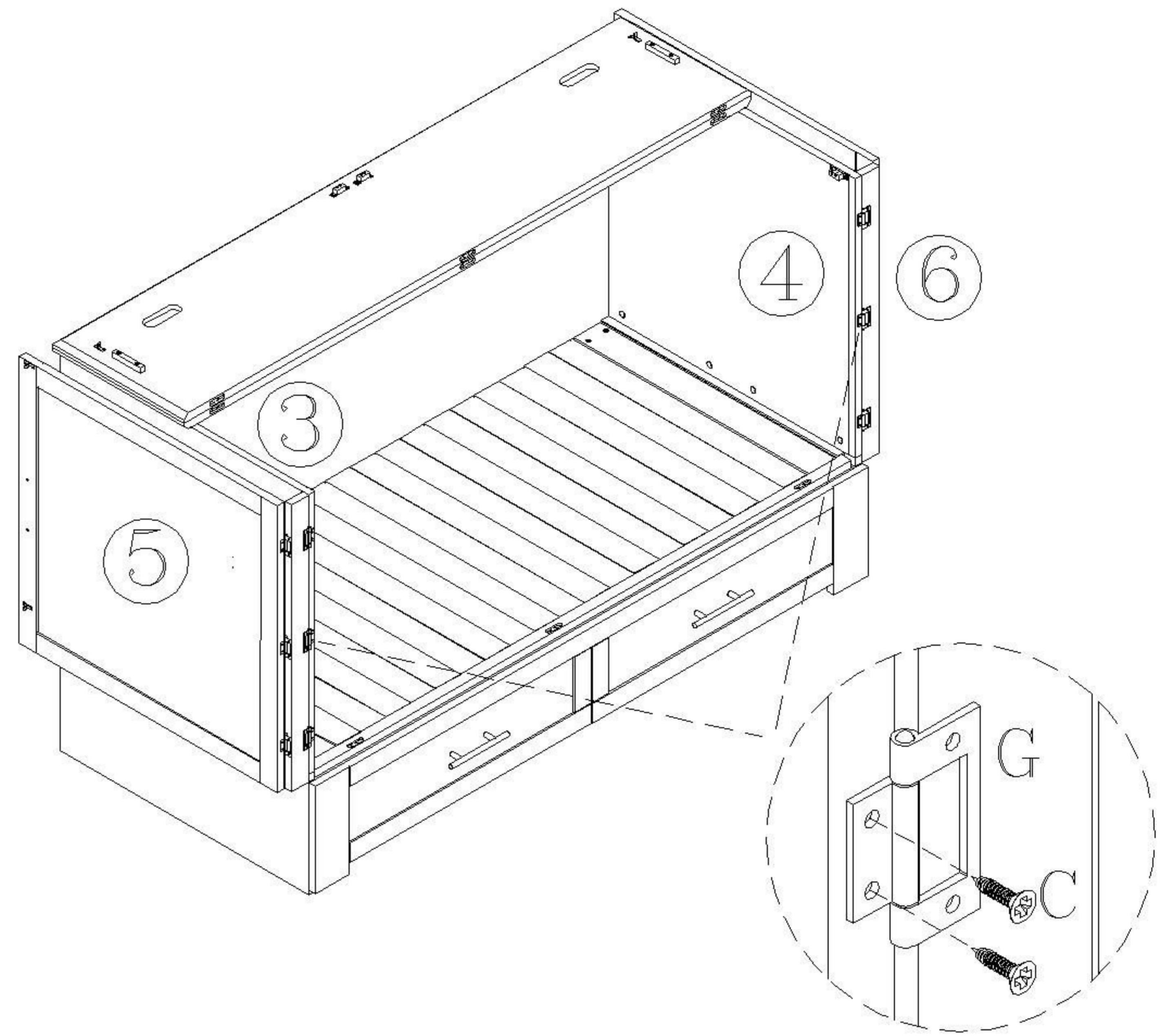


STEP 12

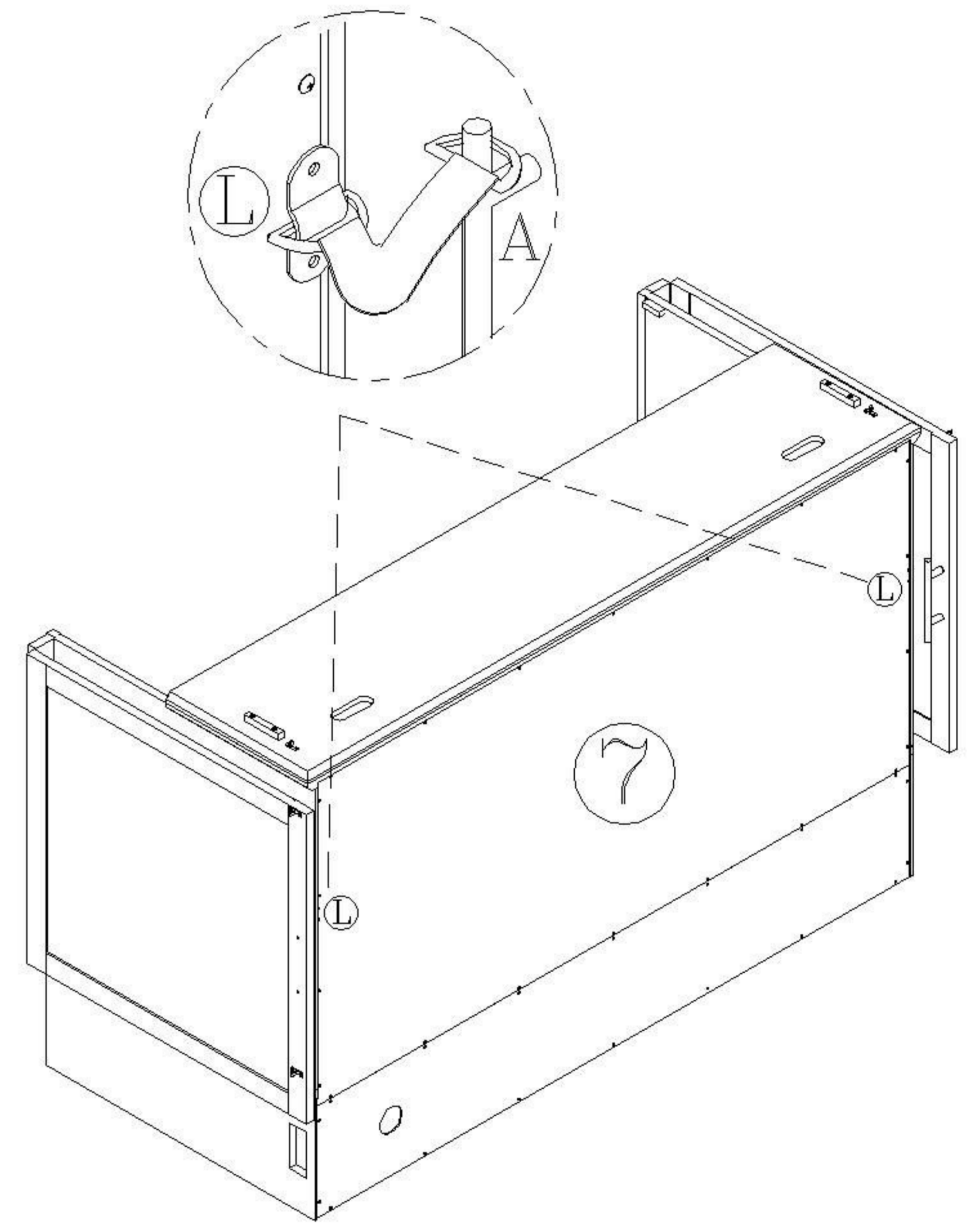
- A) Attach Door(5&6) to Left&Right Side Panel(3&4) using Chipboard Screw(C) to secure

NOTE : The door should be assembled by 2 people of 1 holding the door while assembling

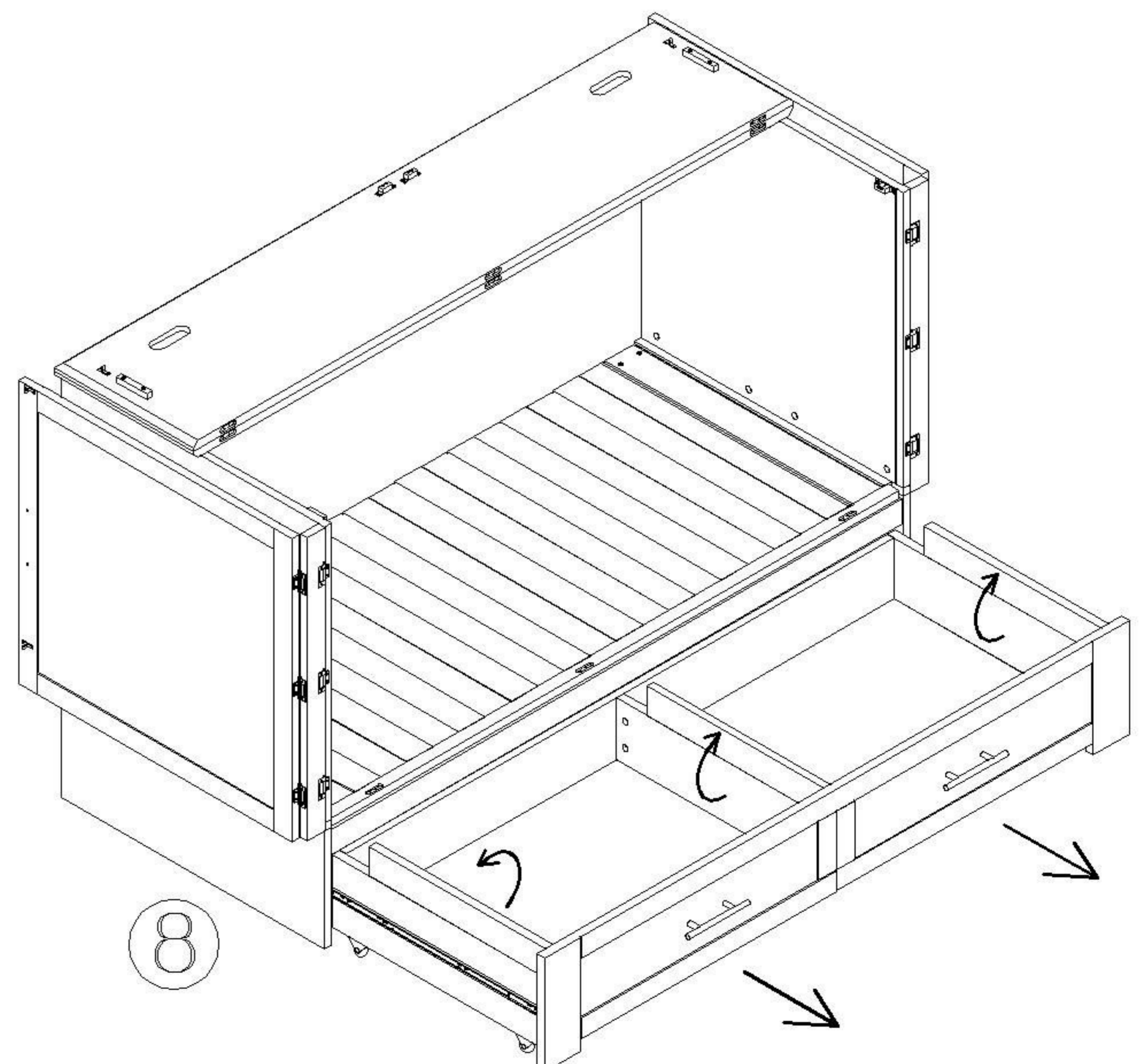
NOTE : Do not over tighten the Screw

STEP 13

- A) Place another ring belt at door handle

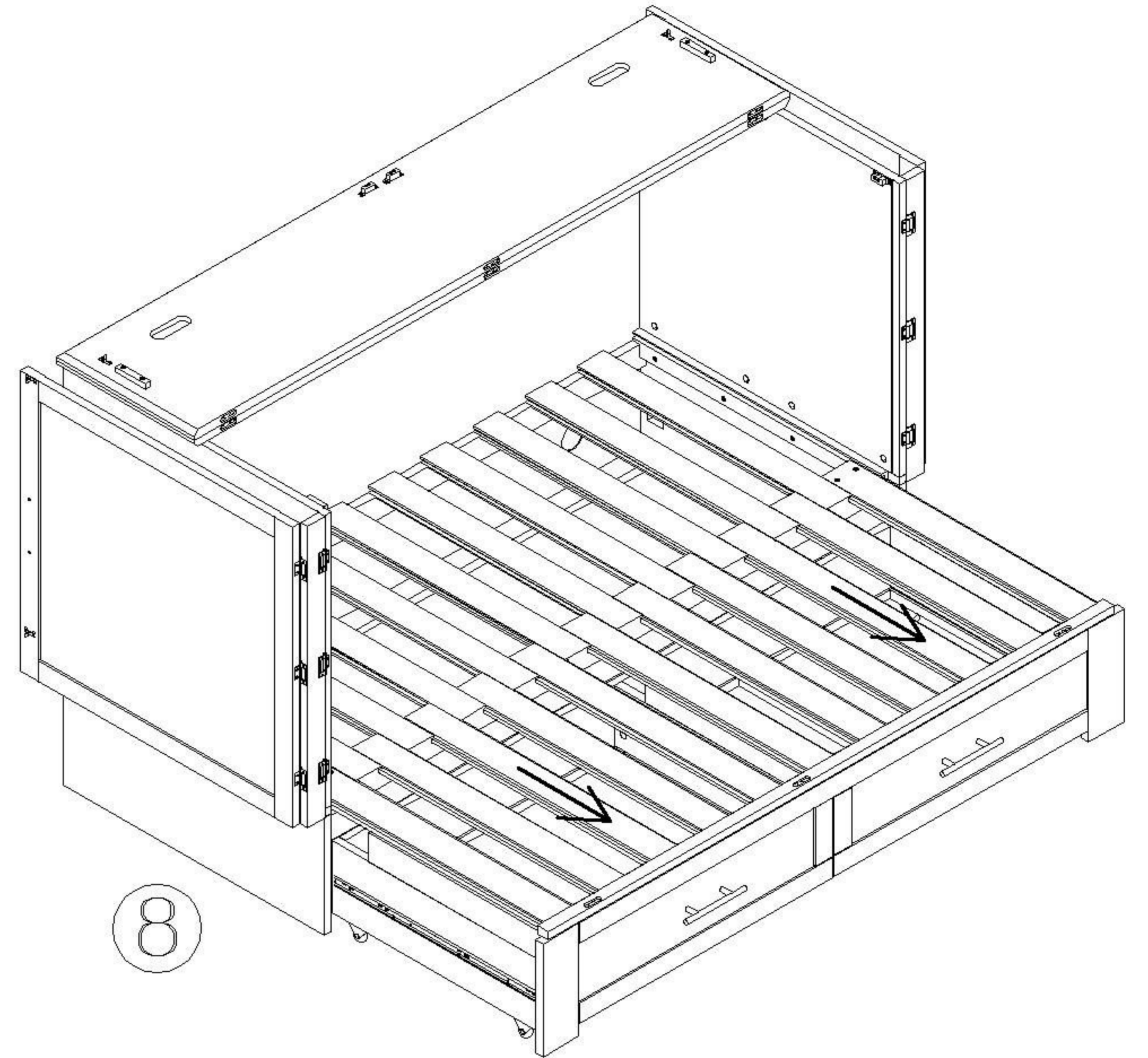
STEP 14

- A) Pull out drawer
B) Fold vertically Drawer Bar

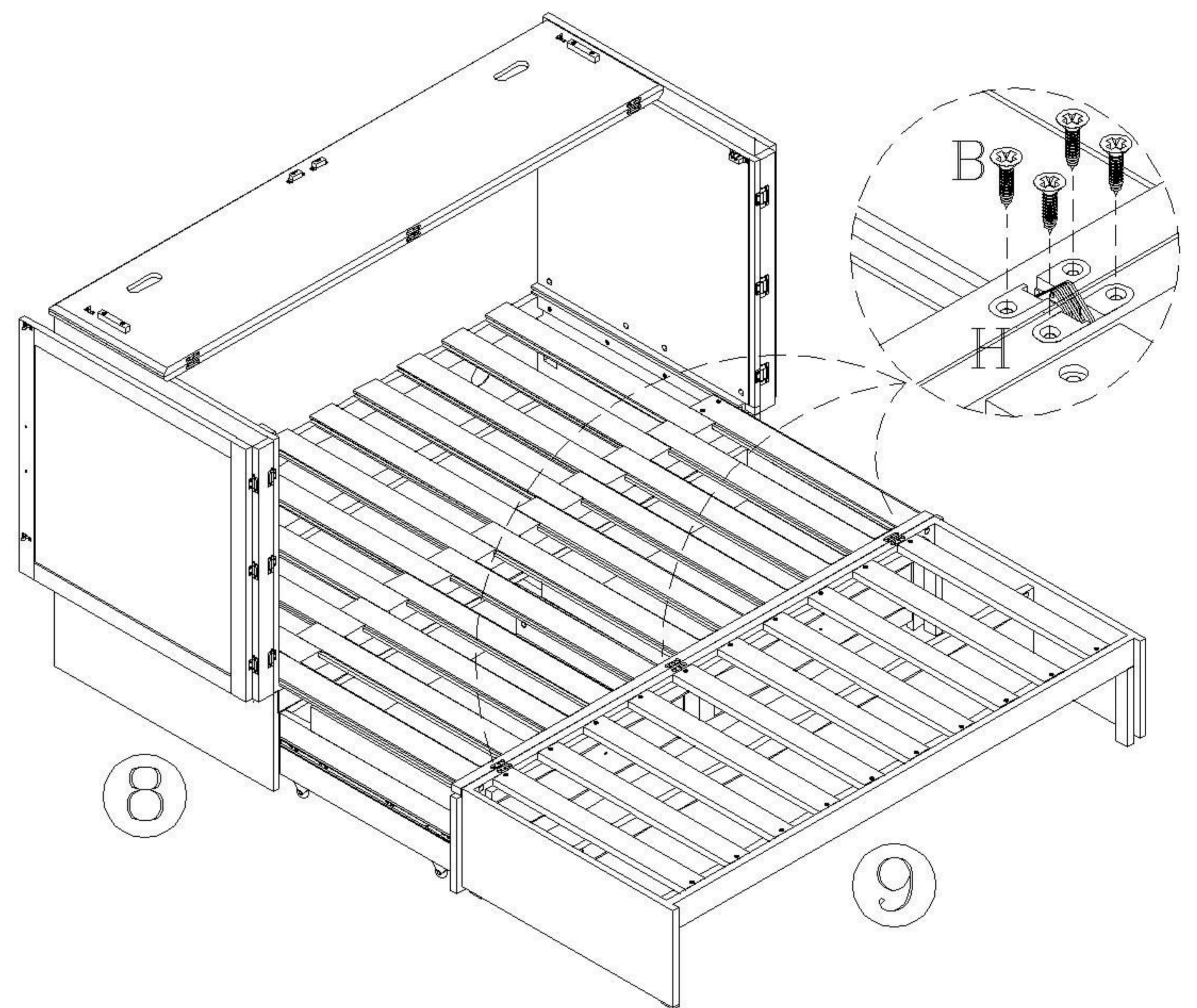


STEP 15

A) Pull out Frame on Drawer Box(8)

STEP 16

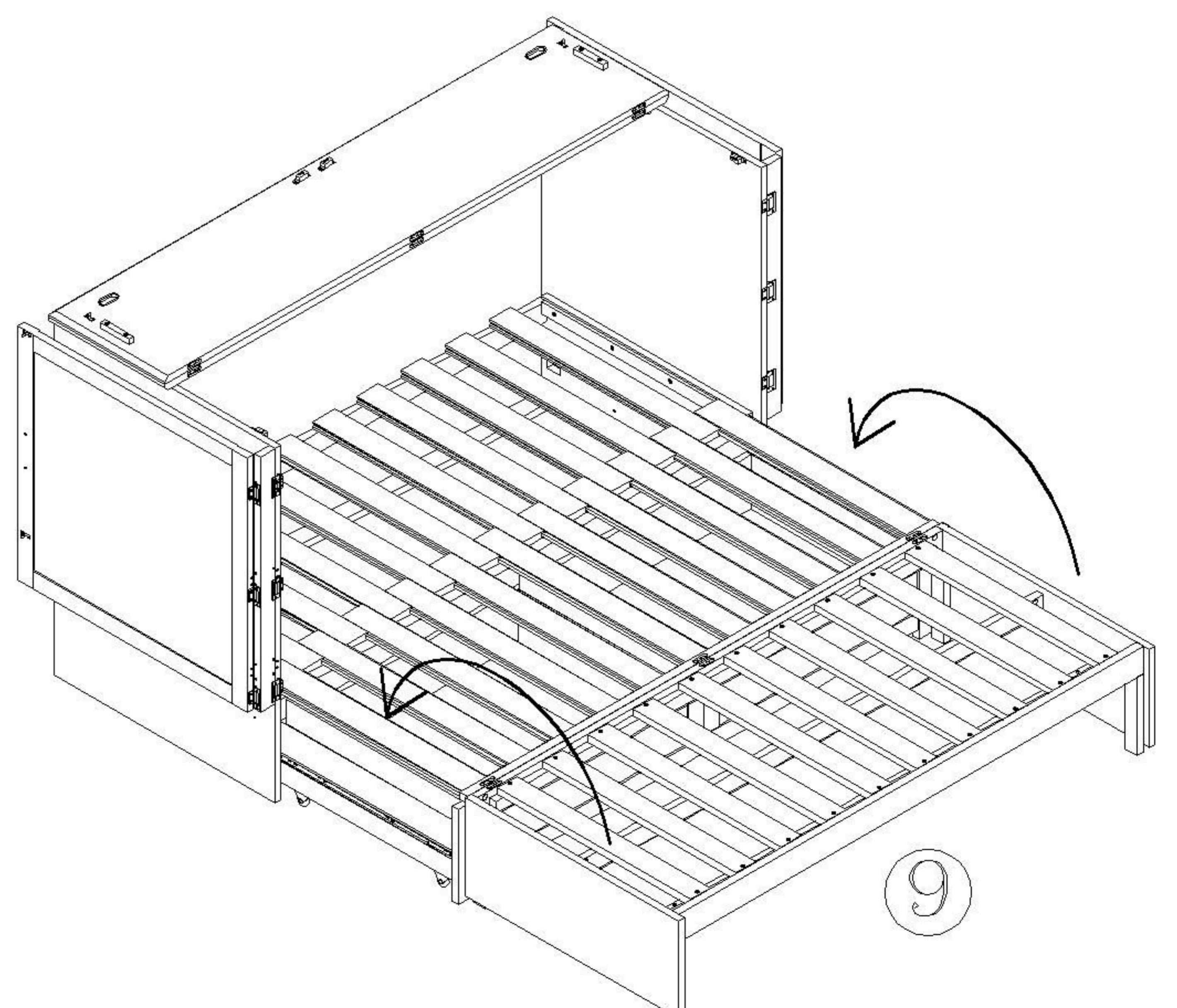
A) Place Slat Box(9) to front of Drawer Box(8) and attach Hinges(H) using Panhead Screw(B) to secure



CLOSE STEPS:

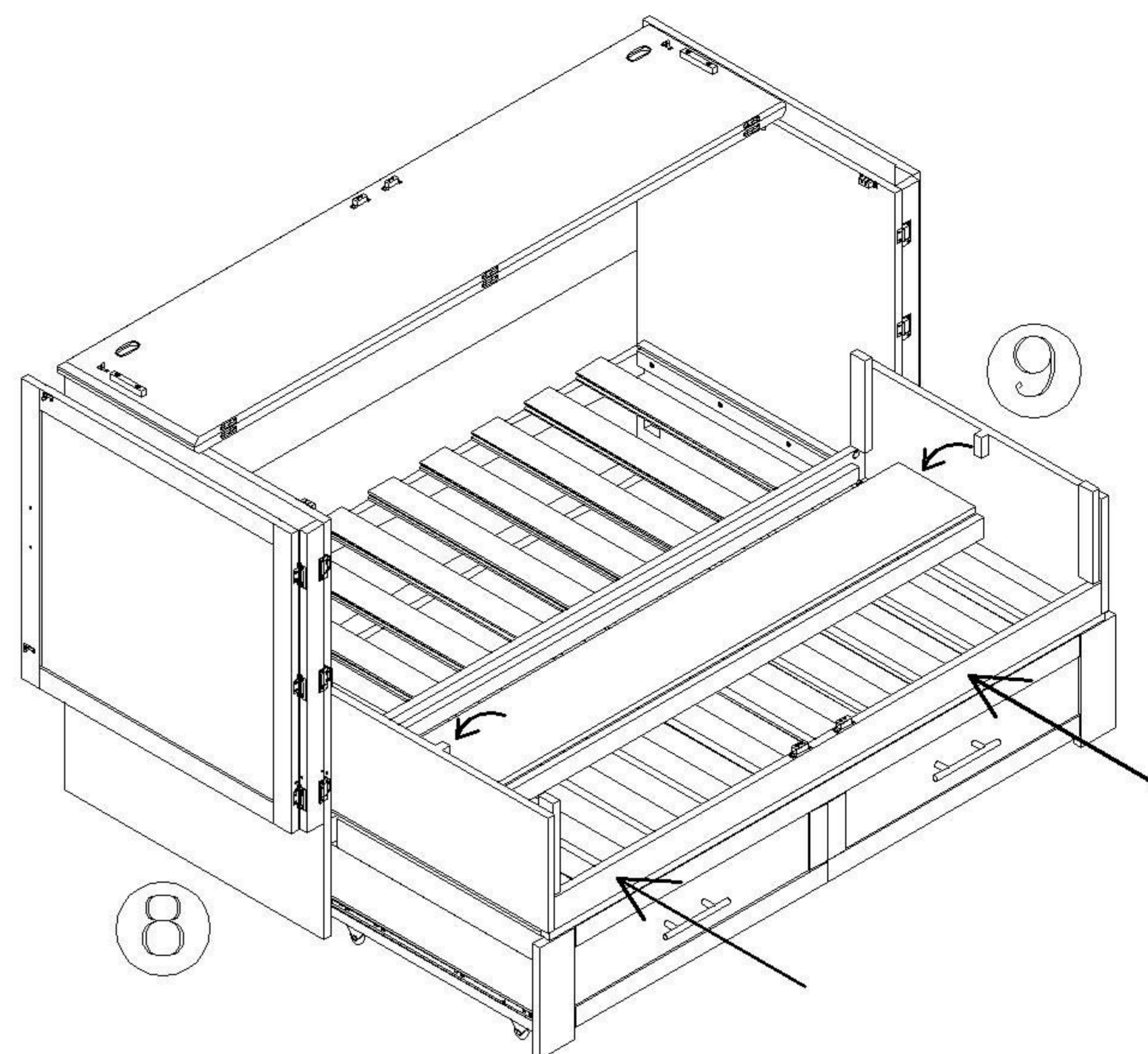
STEP 1

A) Fold Slat Box(9) to Pull Out Frame

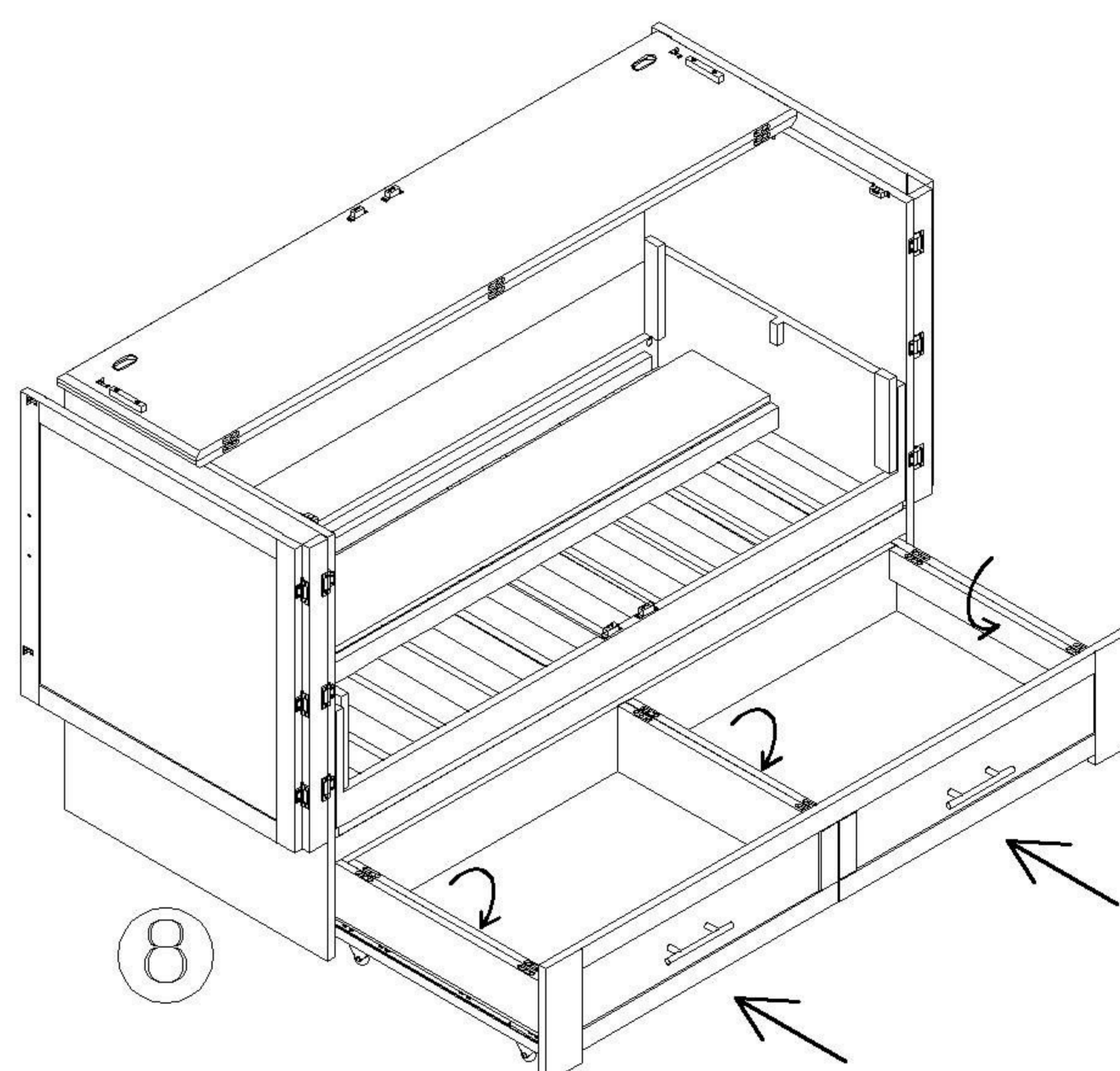


STEP 2

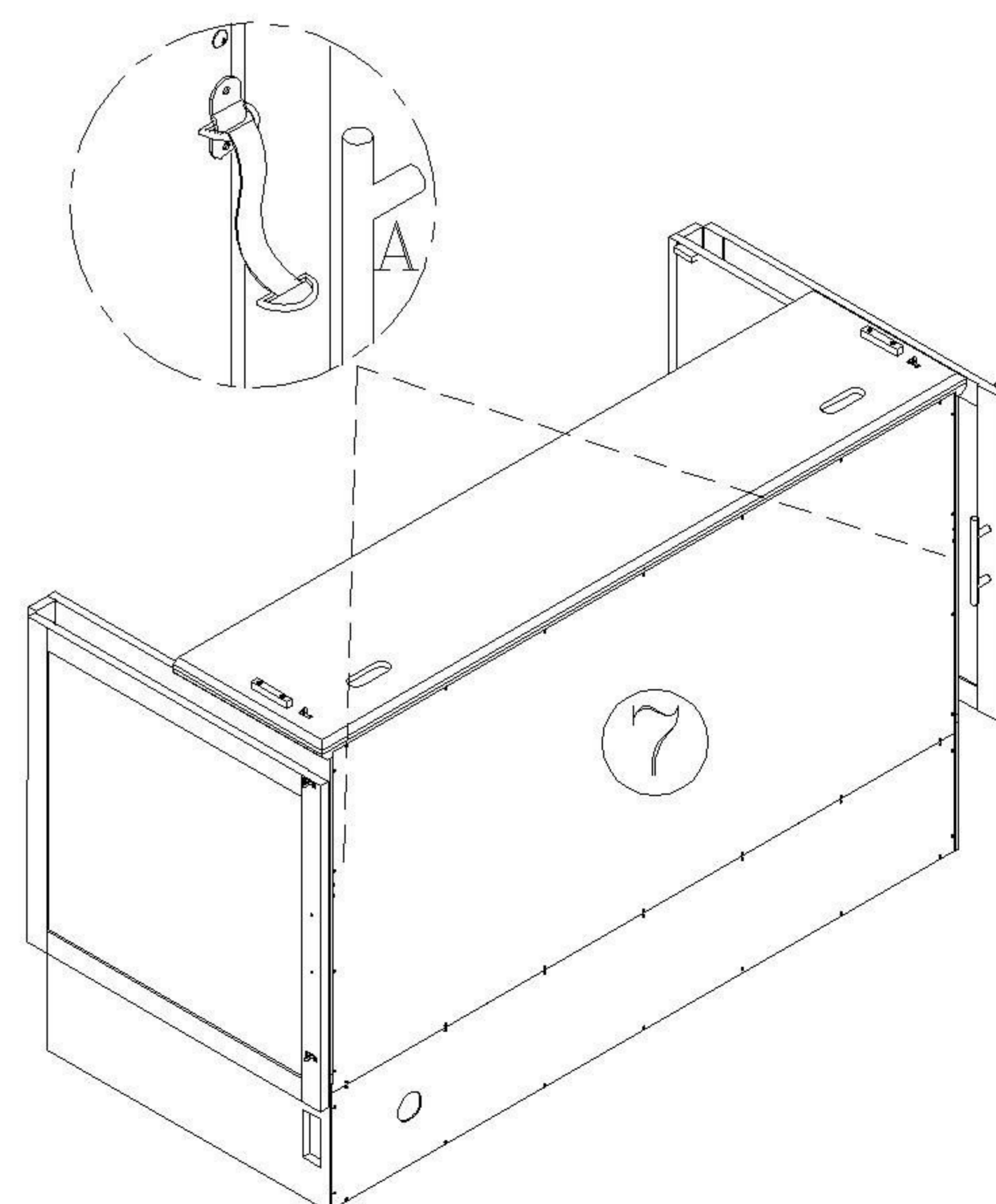
- A) Fold Support Panel of Slat Box(9)
- B) Push inside Slat Box(9) to top Drawer Box(8)

STEP 3

- A) Fold Drawer Bar to side
- B) Push drawer inside of Drawer Box(8)

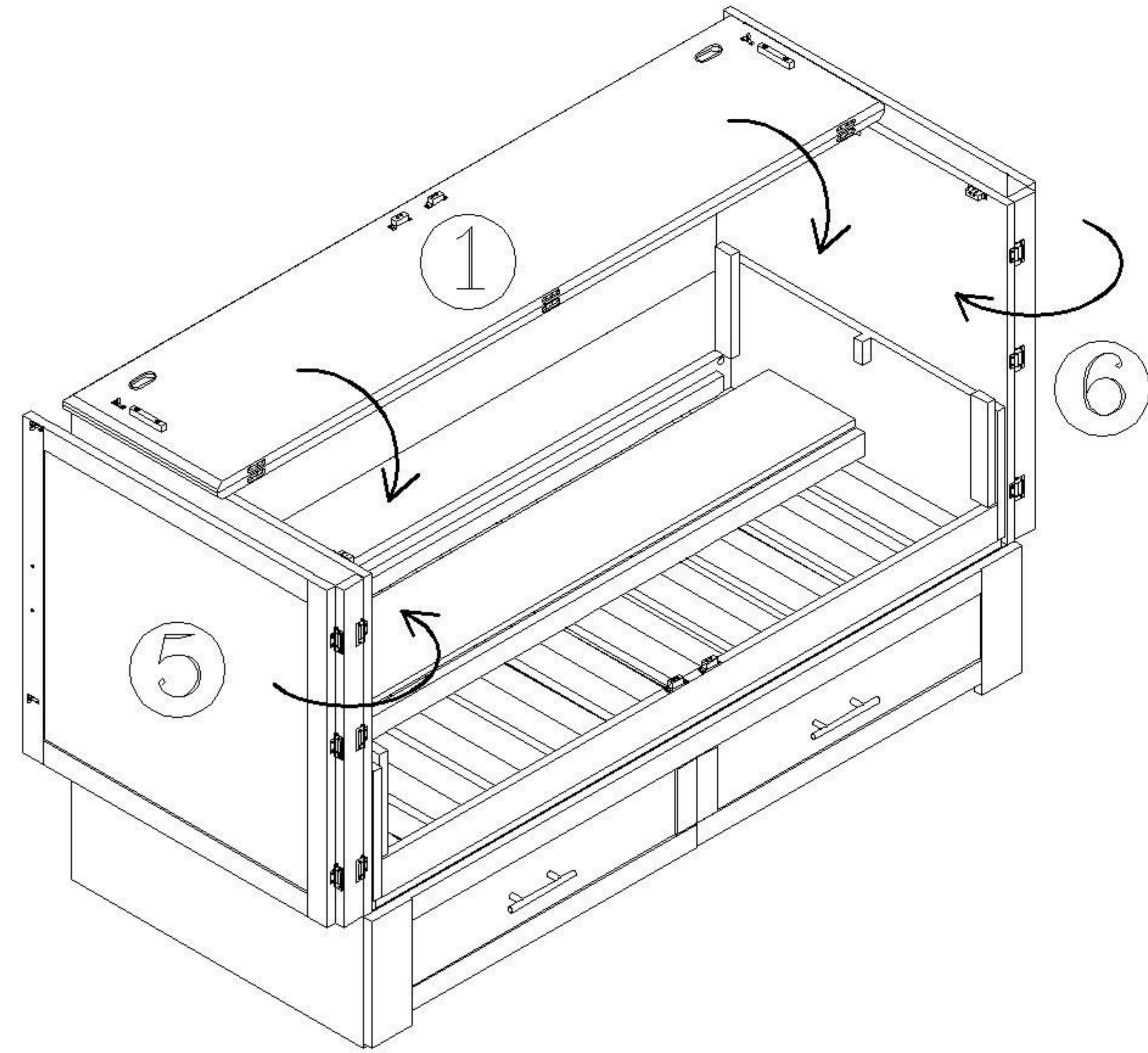
STEP 4

- A) Remove Ring belt at door handle



STEP 5

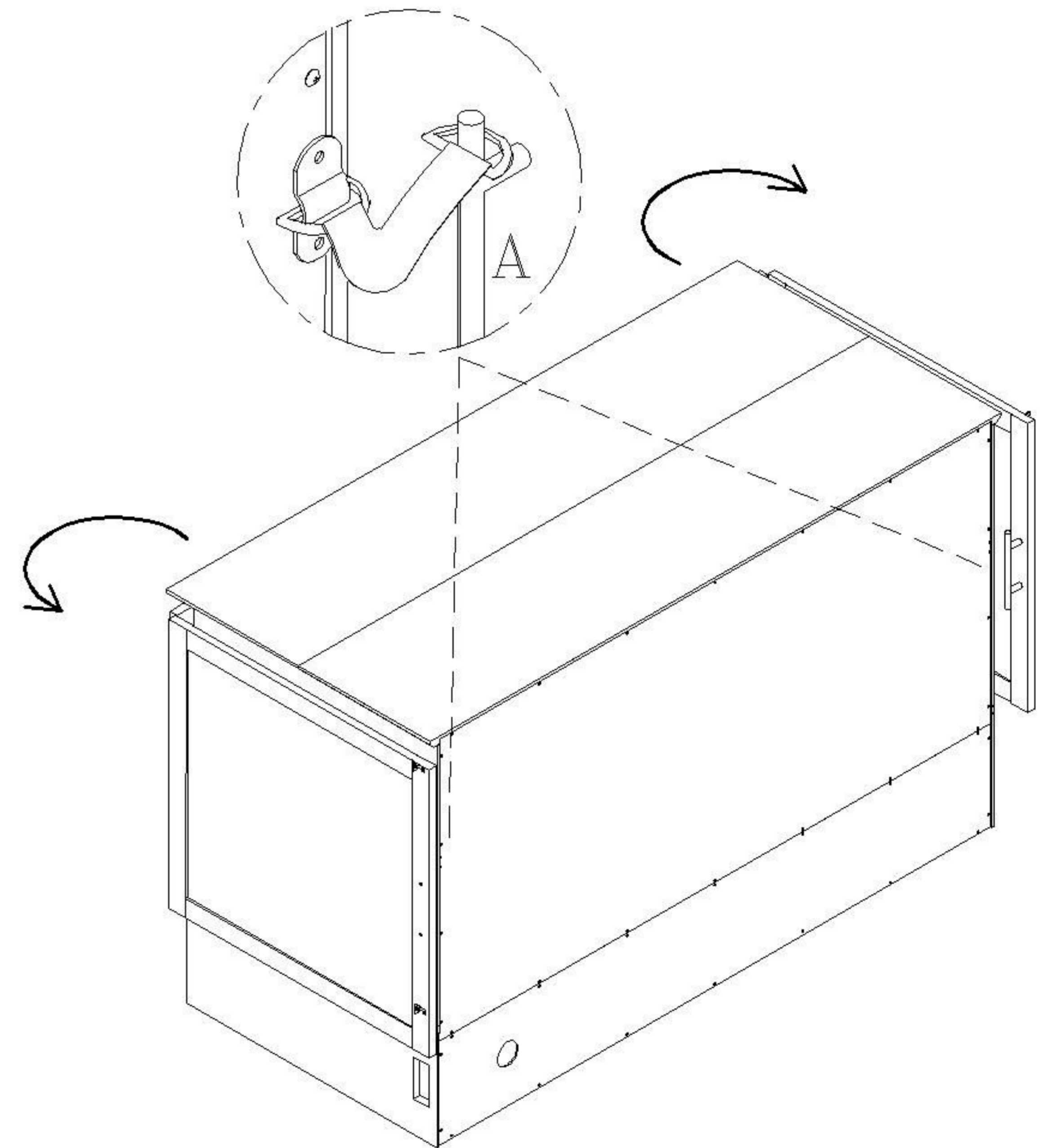
- A) Close Top Panel(1)
 B) Close Left&Right Door(5&6)



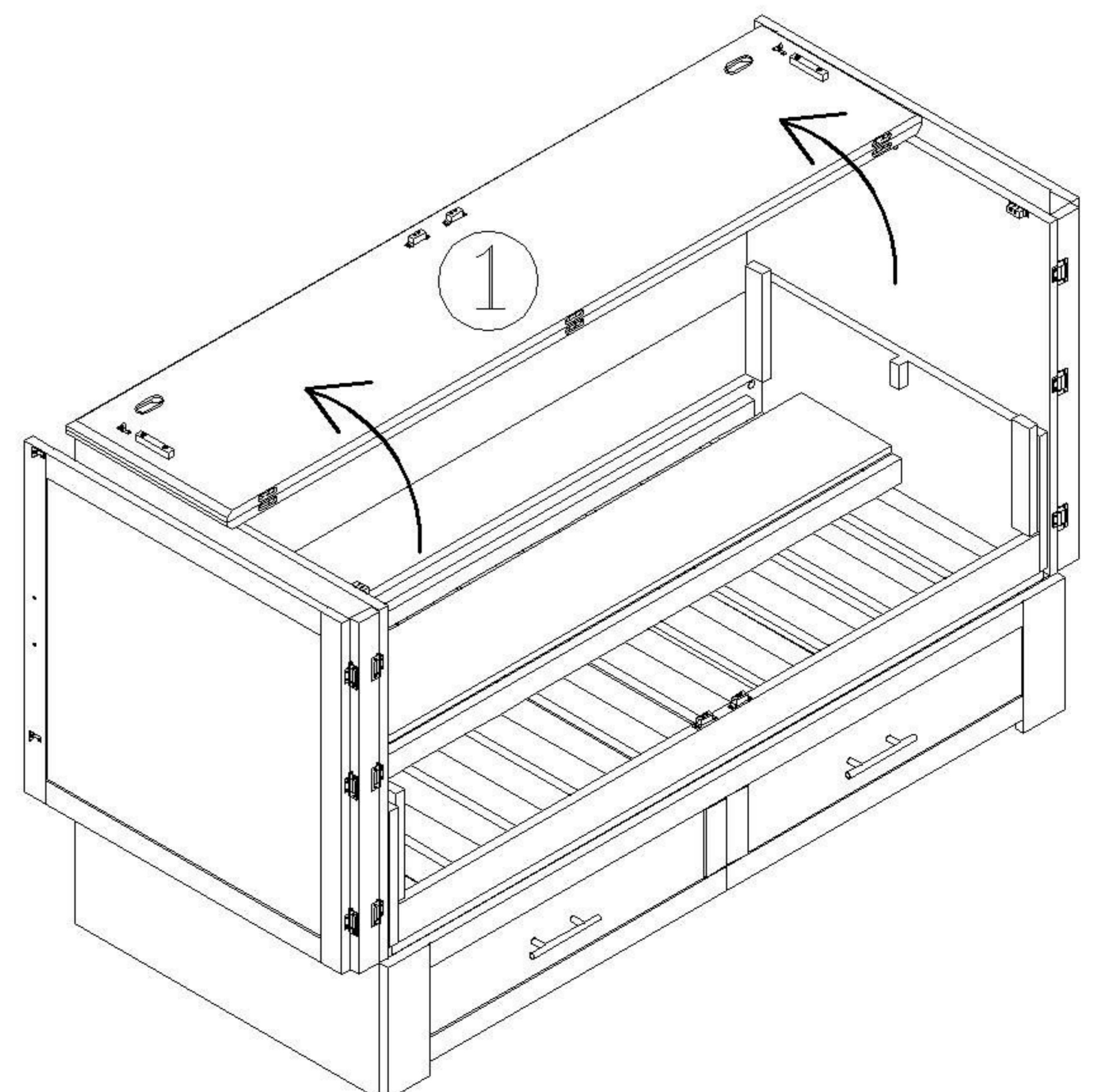
OPEN STEPS:

STEP 1

- A) Open Door, place another ring belt at door handle

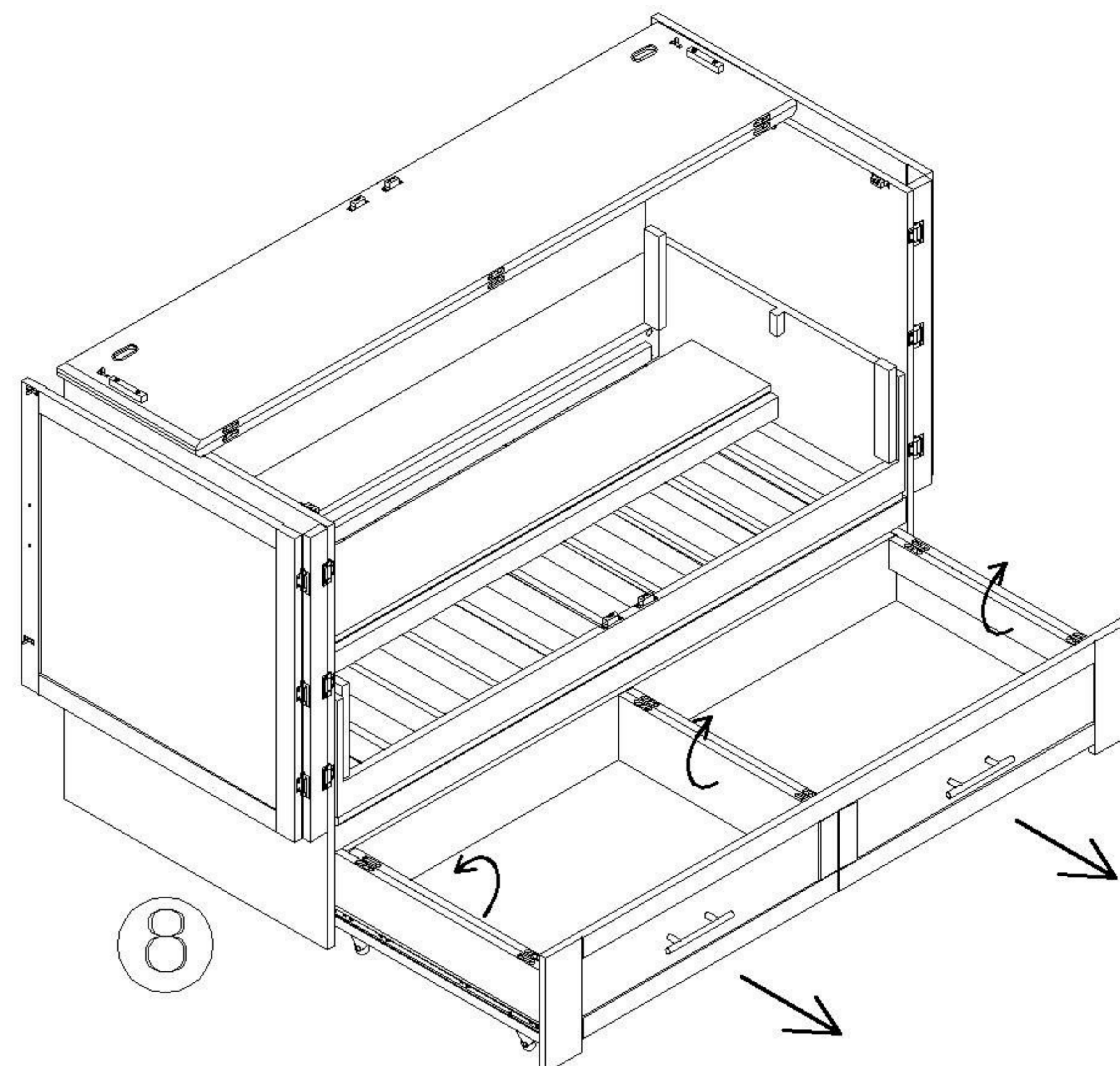
STEP 2

- A) Open Top Panel(1)

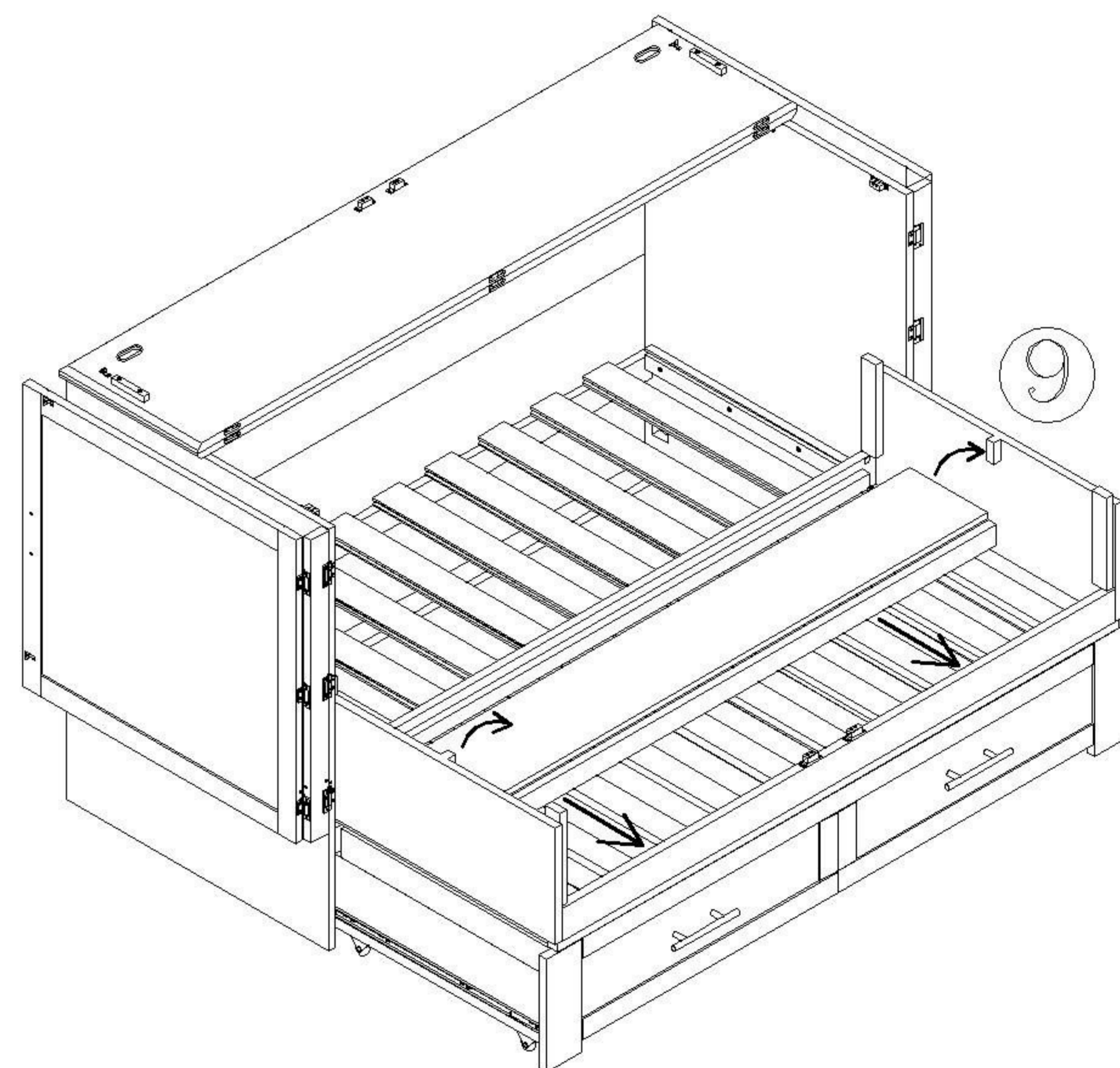


STEP 3

- A) Pull out drawer
- B) Fold vertically Drawer Bar

STEP 4

- A) Pull out Slat Box(9)
- B) Fold vertically Support Panel of Slat Box(9)

STEP 5

- A) Fold Slat Box(9) to front of drawer

