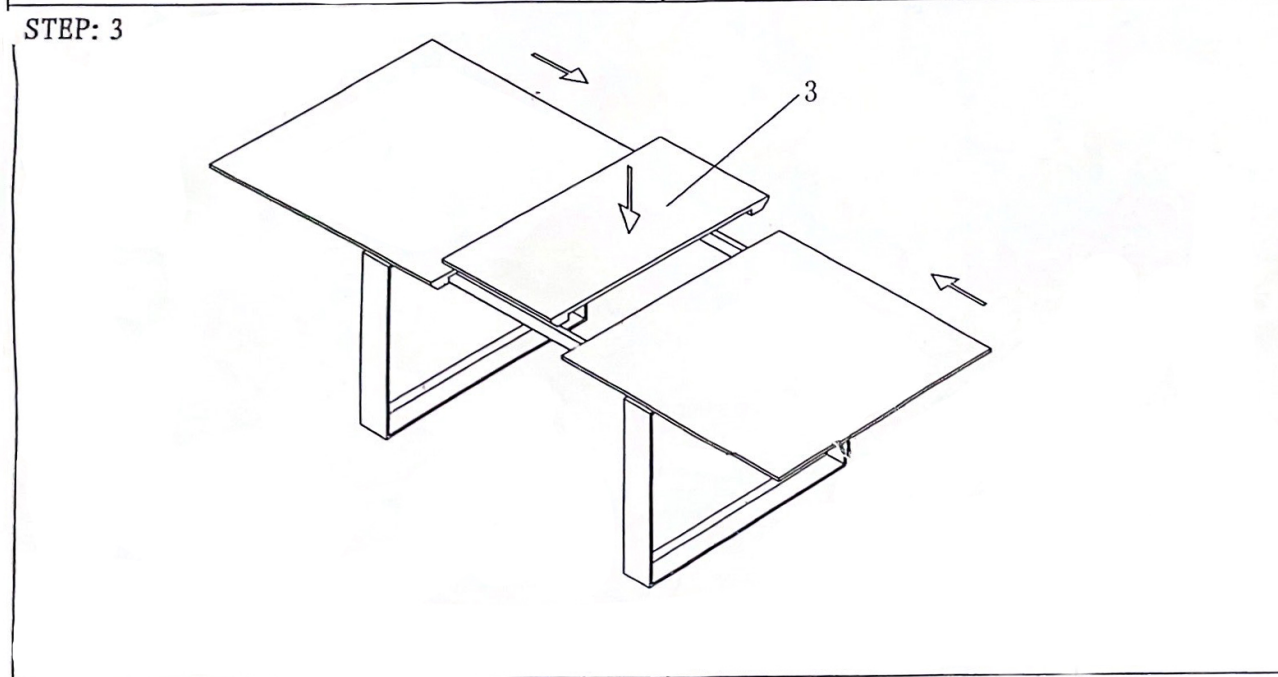
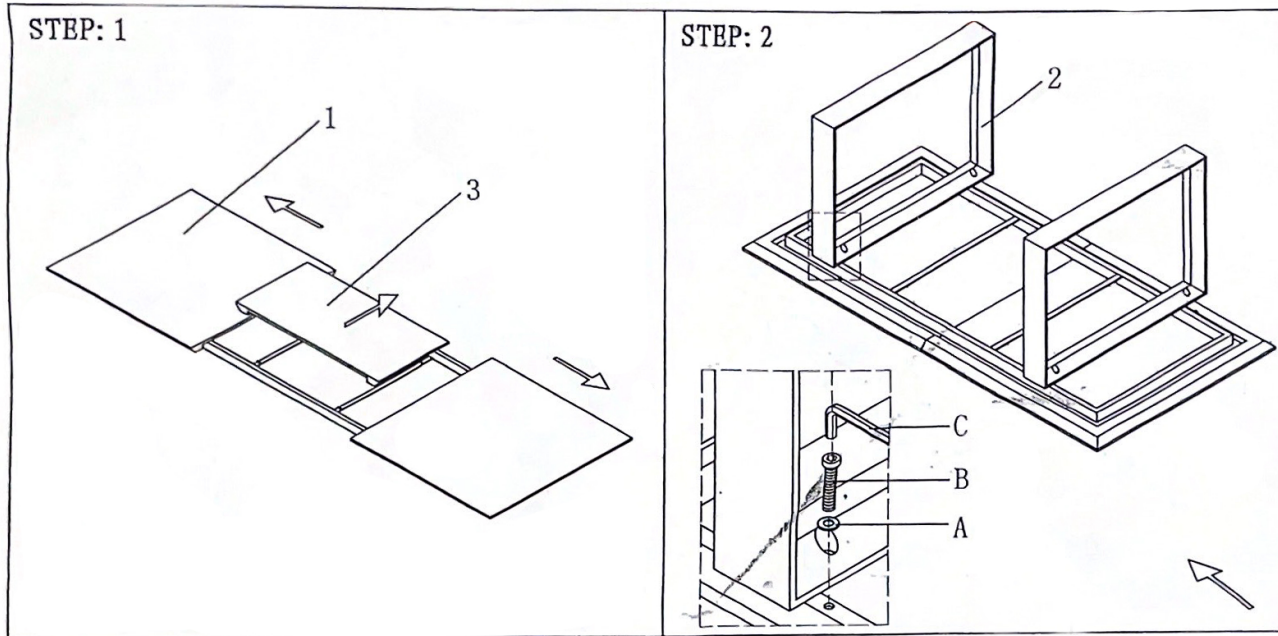
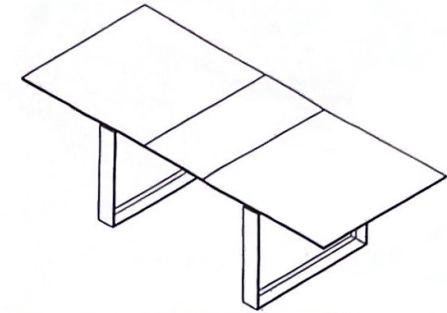



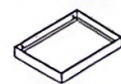

Assembly Instruction For DT-2049







Assembly Instruction For DT-2049



PARTS LIST

NO.	DESCRIPTION	QTY.
1		1
2		2
3		1

HARDWARE LIST

NO.	DESCRIPTION	SIZE	QTY.
A		ø18×ø8.5×2mm	8
B		M8×40mm	8
C		P5	1
D		M8	8