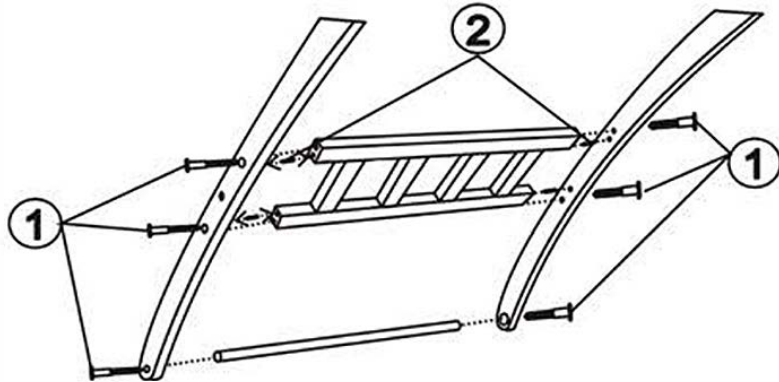
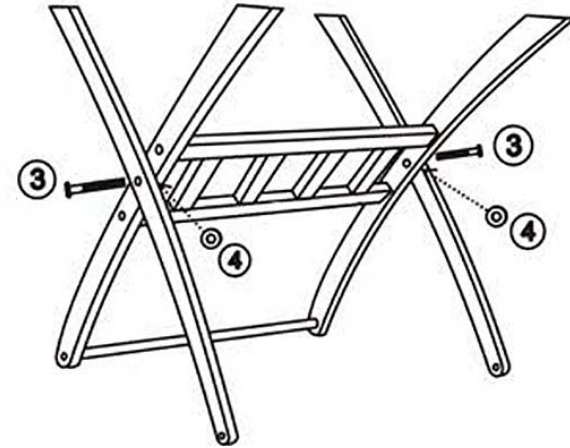


ASSEMBLY INSTRUCTION

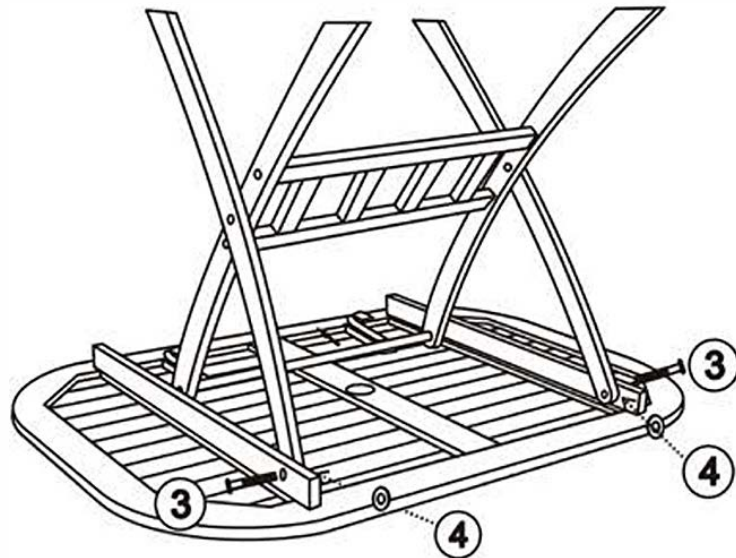
#1








#2



#3



- ①  (M7 x 60) mm x 6 Pcs
- ②  (Ø10 x 40) mm x 4 Pcs
- ③  (M8 x 40) mm x 4 Pcs
- ④  4 Pcs
-  1 Pcs