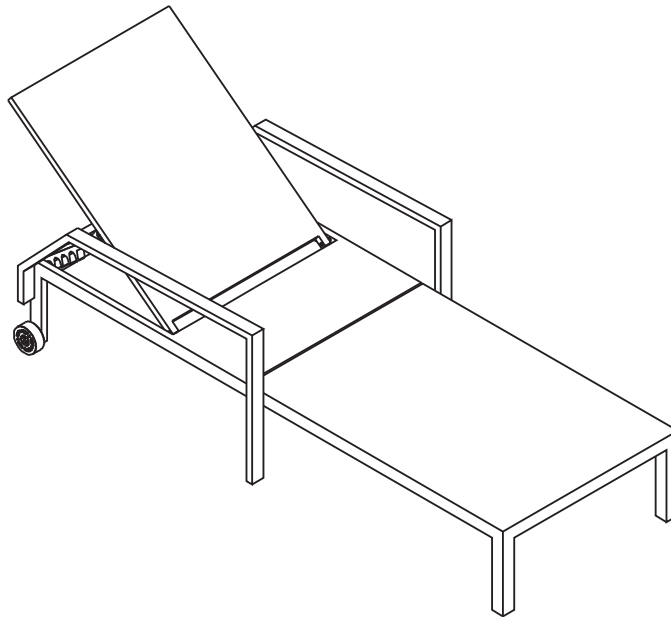
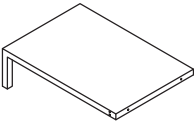
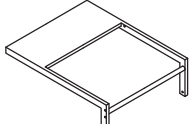
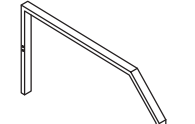
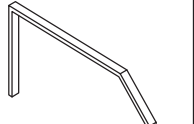
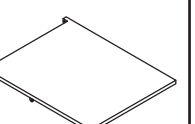
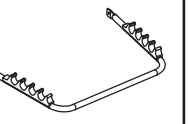
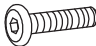
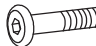
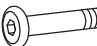



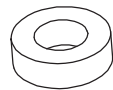






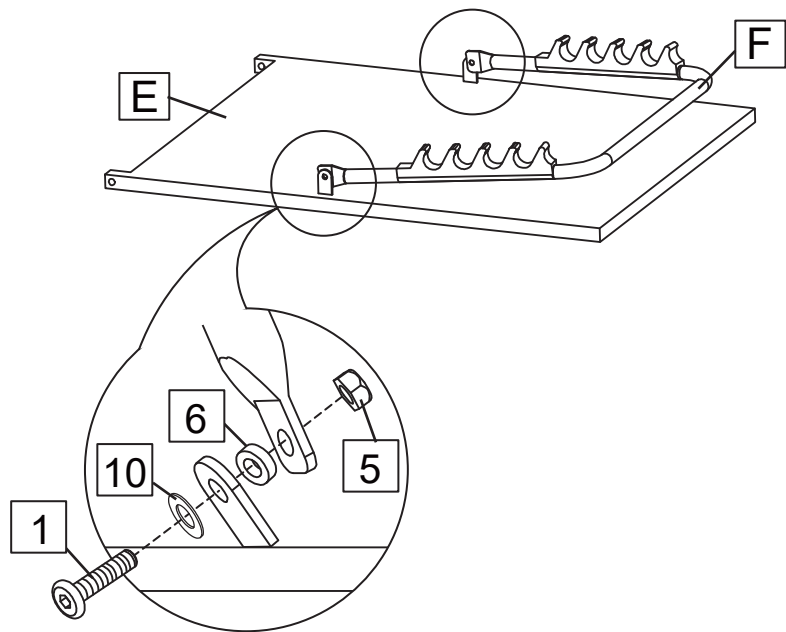






ASSEMBLY INSTRUCTIONS



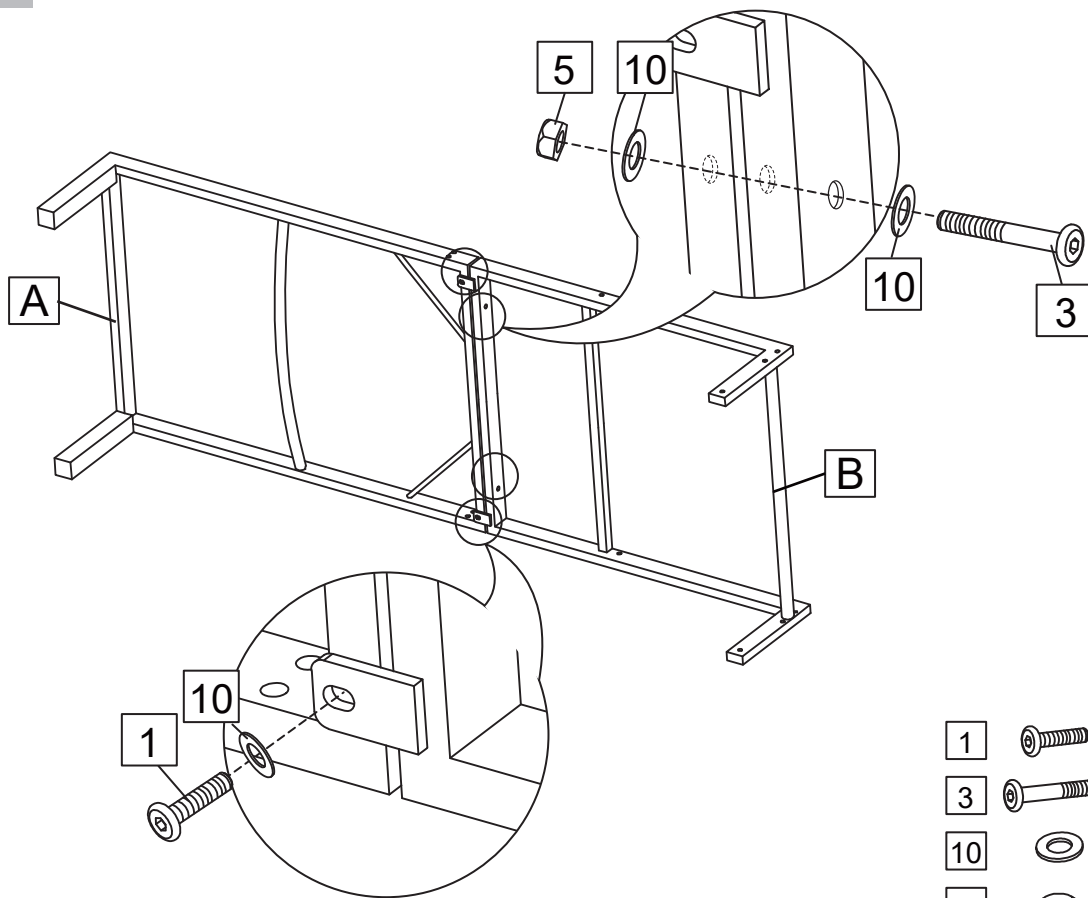
Parts List					
A  1PC	B  1PC	C  1PC	D  1PC	E  1PC	F  1PC
Front seat panel	Rear seat panel	Right Arm Panel	Left Arm Panel	Backrest Panel	U Bar
1  (M6*25mm) 4PCS Short Bolt	2  (M6*45mm) 6PCS Medium Bolt	3  (M6*60mm) 6PCS Long Bolt	4  (M8*40mm) 2PCS Short Bolt	5  (M6mm) 4PCS Nut	6  (M5mm) 2PCS Plastic Washer M Size
7  (M8mm) 2PCS Plastic Washer L Size	8  2PCS Plastic Wheel	9  (M6mm) 1PC Wrench	10  (M6mm) 18PCS Washer	11  (M8mm) 4PCS Washer	12  (M6mm) 1PC Allen Key
			13  (M8mm) 1PC Allen Key		





STEP1



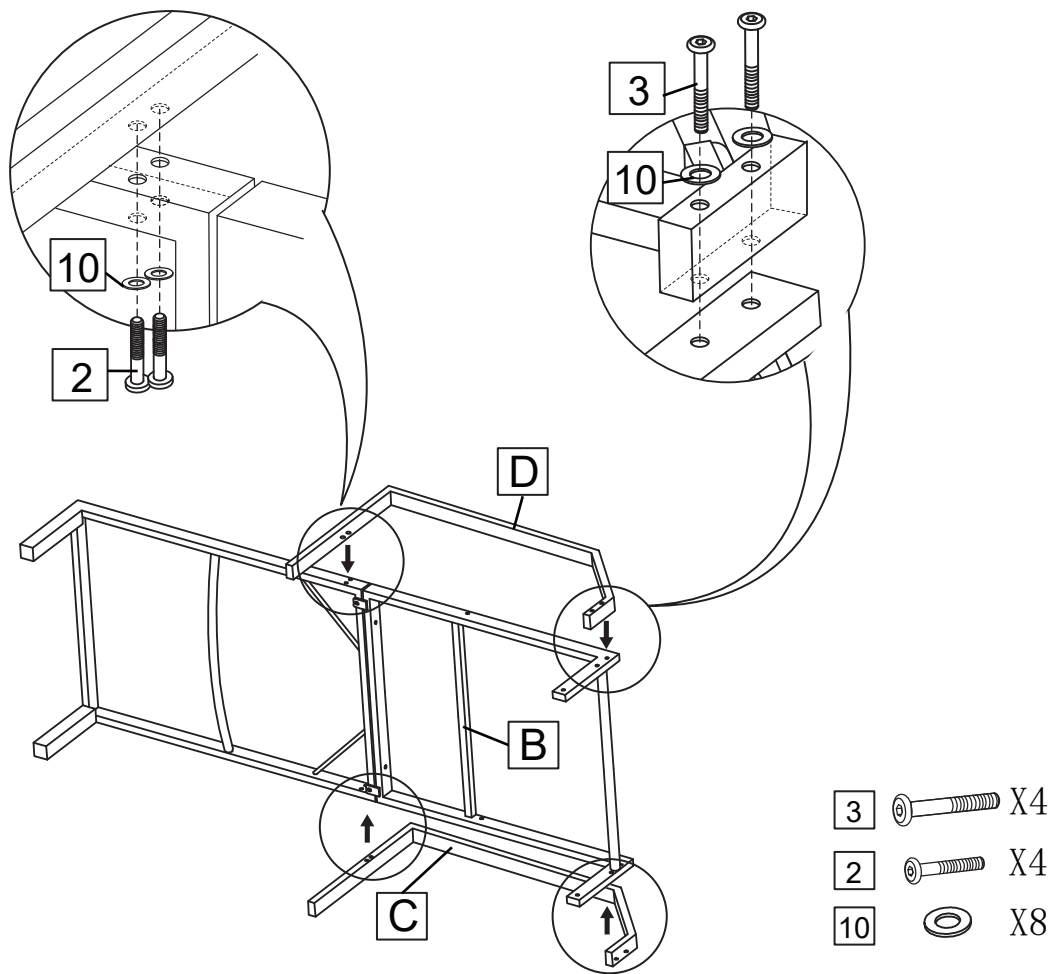
- 1  X2
- 10  X2
- 5  X2
- 6  X2

STEP2

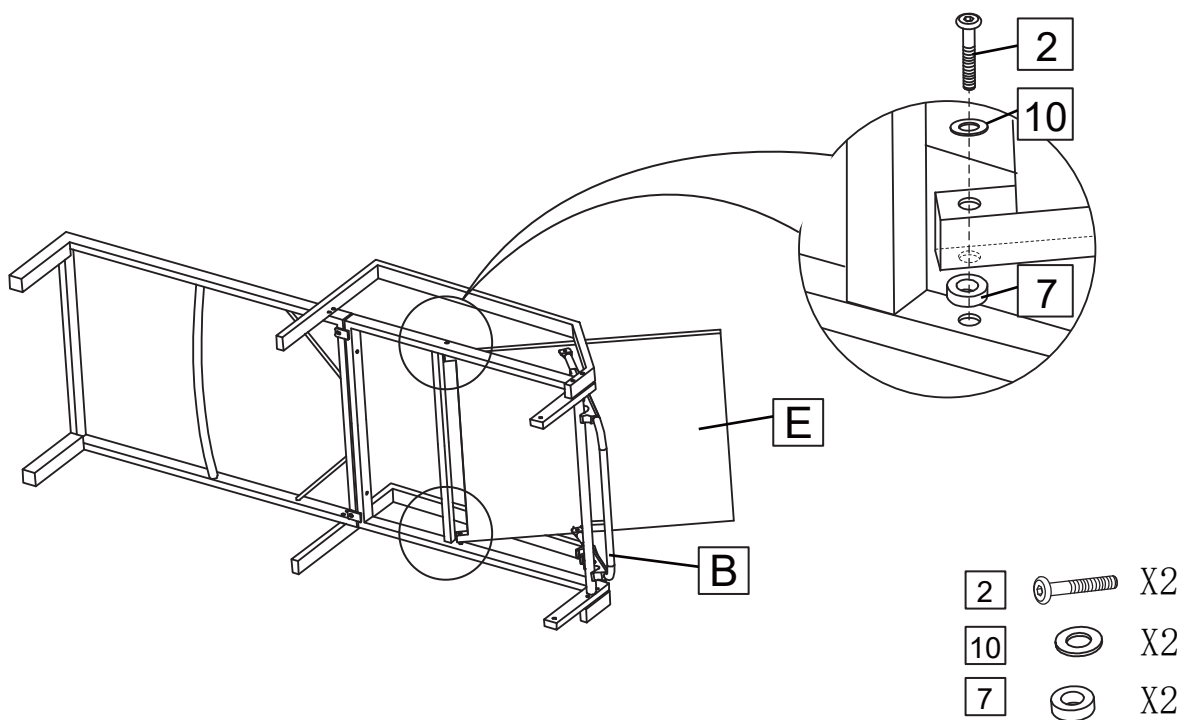


- 1  X2
- 3  X2
- 10  X6
- 5  X2

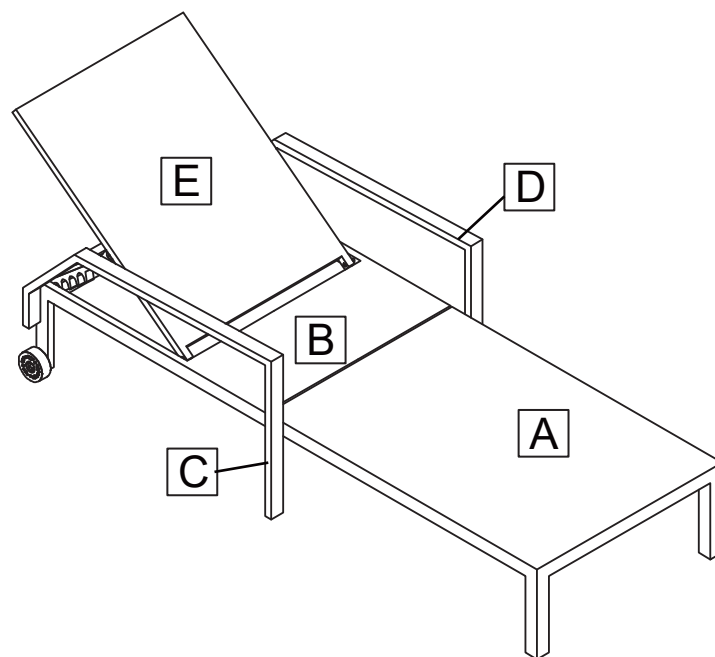
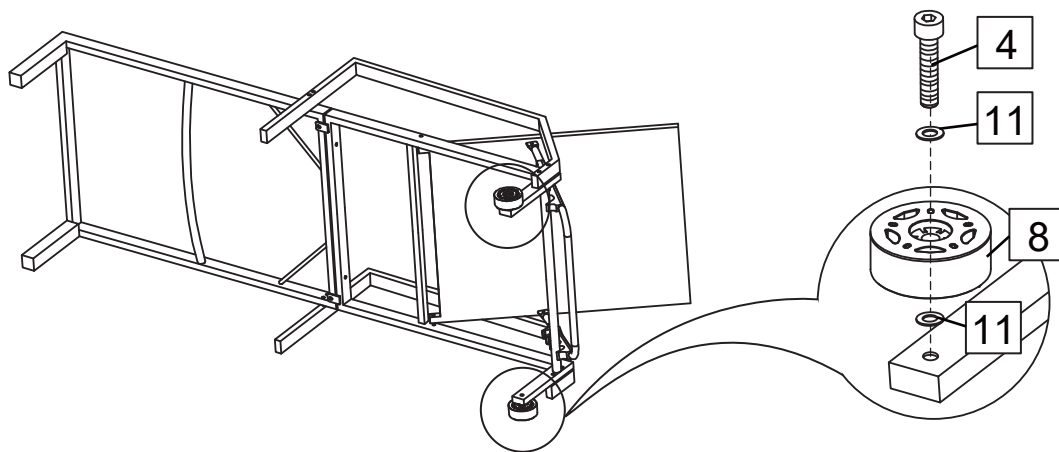
STEP3



STEP4



STEP5



Attention

1. We care about every customer's using experience, please feel free to chat us if has anything missing or damaged or any advice, efficient solution would be offered soon.
2. Recommend to use waterproof furniture cover for patio chaise lounge when out of use to keep them longer performance.
3. Chaise lounge cushion cover can be removable and clean up by cleaner when have stains.