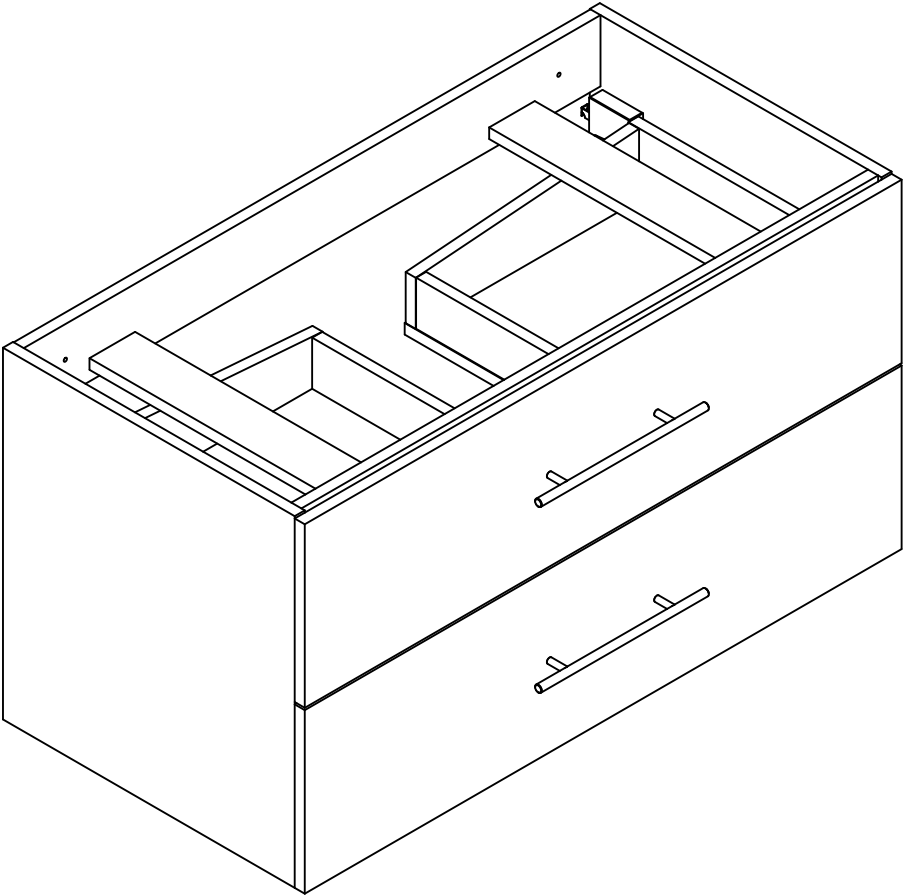

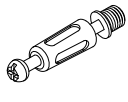
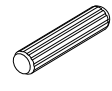
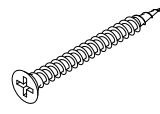
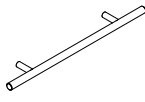
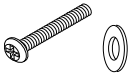

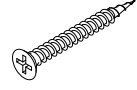
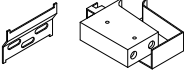
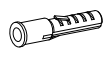
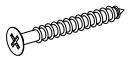
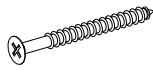
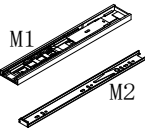
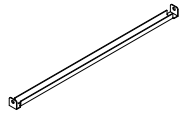
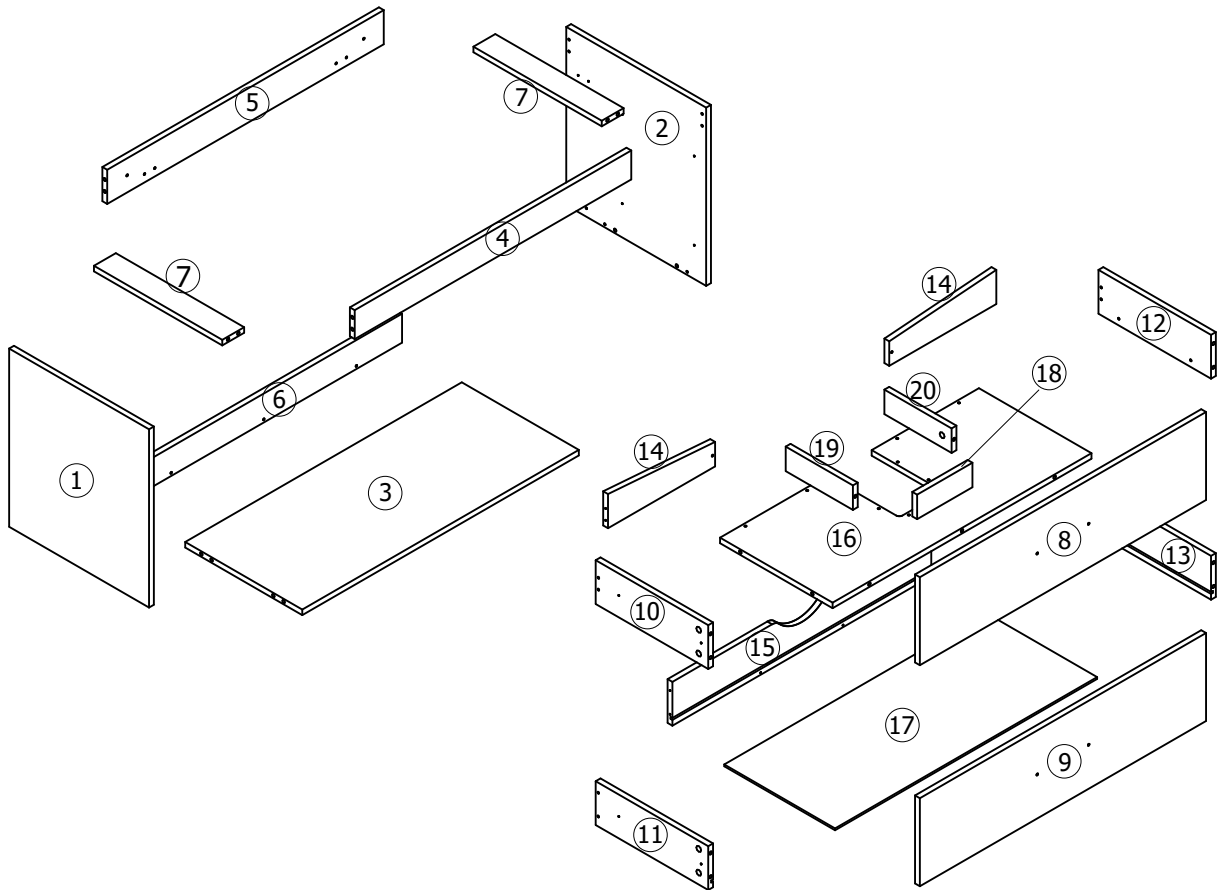


Assembly Instructions



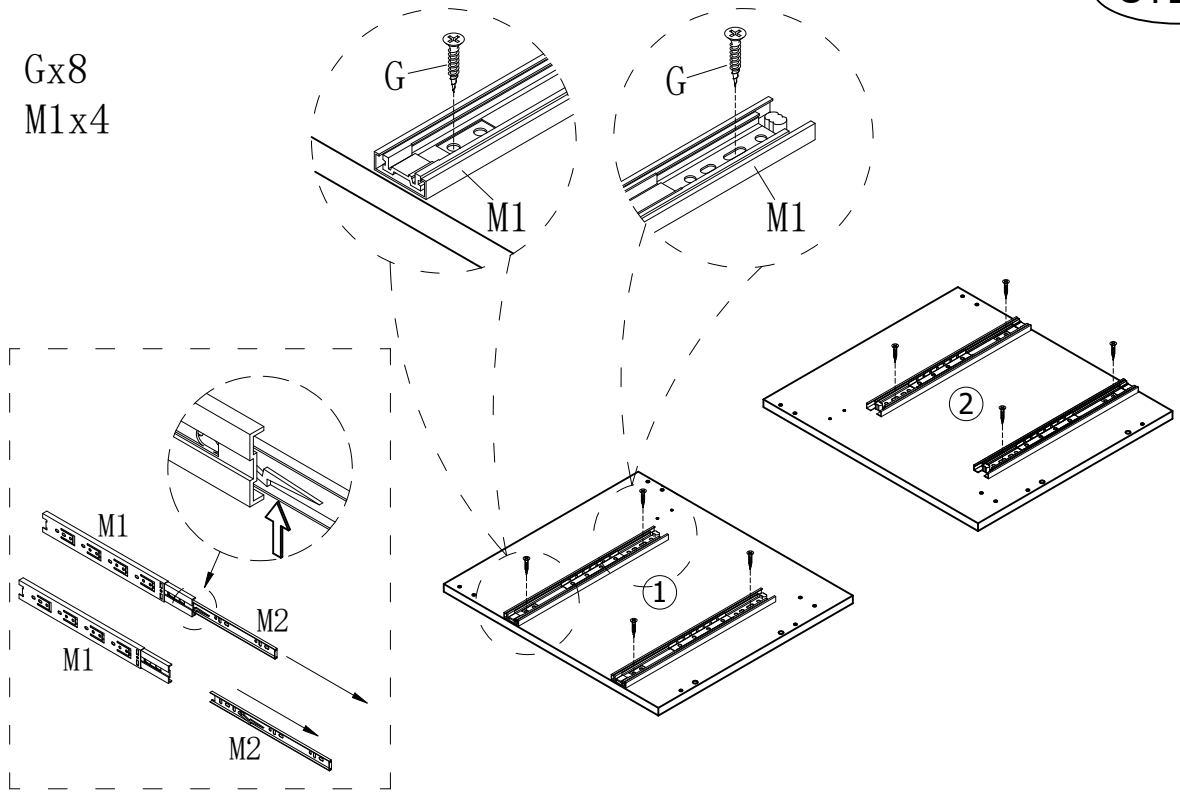
Assembly Instructions

<p>Ø15x11</p>  <p>A x 44</p>	<p>Ø7x35</p>  <p>B x 44</p>	<p>Ø8x30</p>  <p>C x 4</p>	<p>Ø4x40</p>  <p>D x 20</p>
 <p>E x 2</p>	<p>M4x20</p>  <p>F x 4</p>	<p>Ø3.5x14</p>  <p>G x 18</p>	<p>Ø3.5x30</p>  <p>H x 4</p>
 <p>I x 2</p>	<p>Ø7.8x38</p>  <p>J x 8</p>	<p>Ø5x50</p>  <p>K x 6</p>	<p>Ø5x70</p>  <p>L x 2</p>
<p>14"</p>  <p>M x 4</p>	<p>334mm</p>  <p>N x 1</p>		



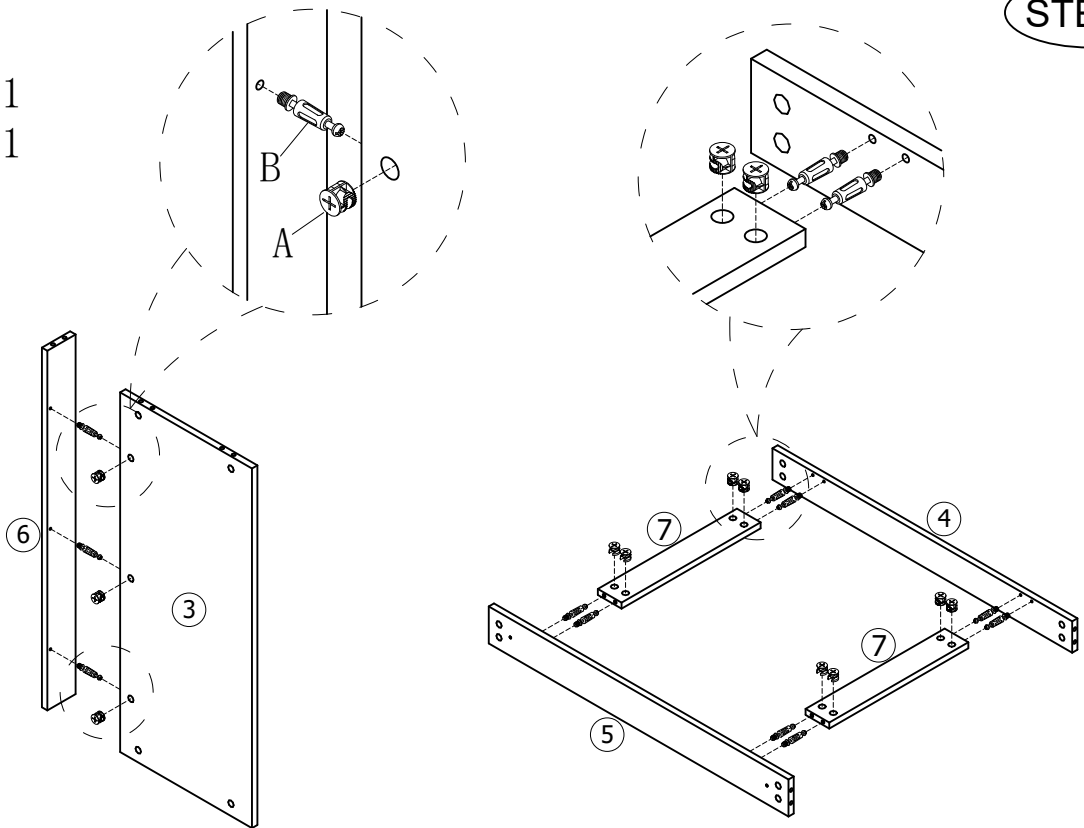
STEP 1

Gx8
M1x4



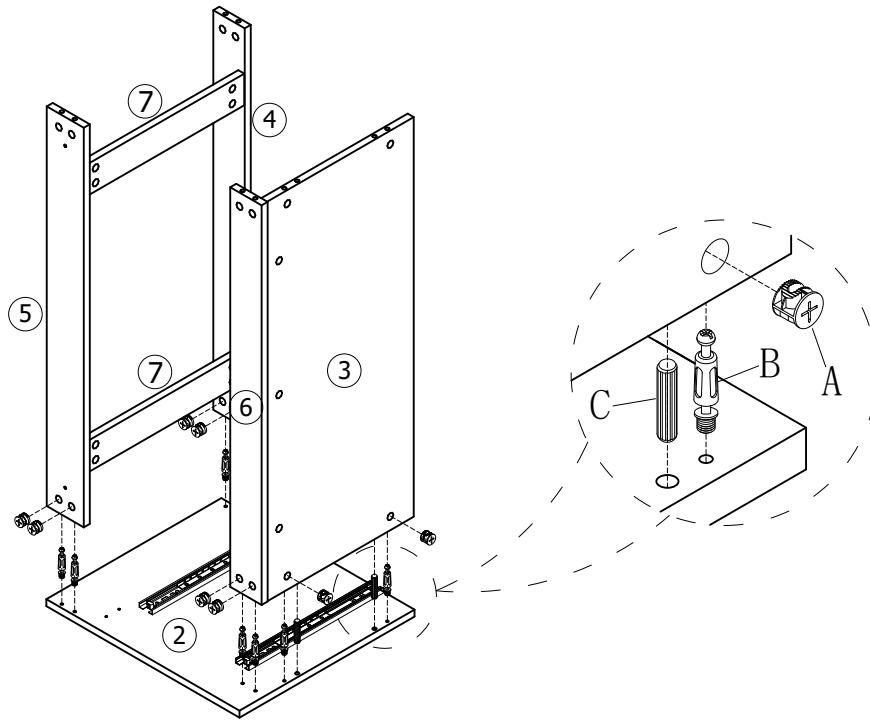
STEP 2

Ax11
Bx11



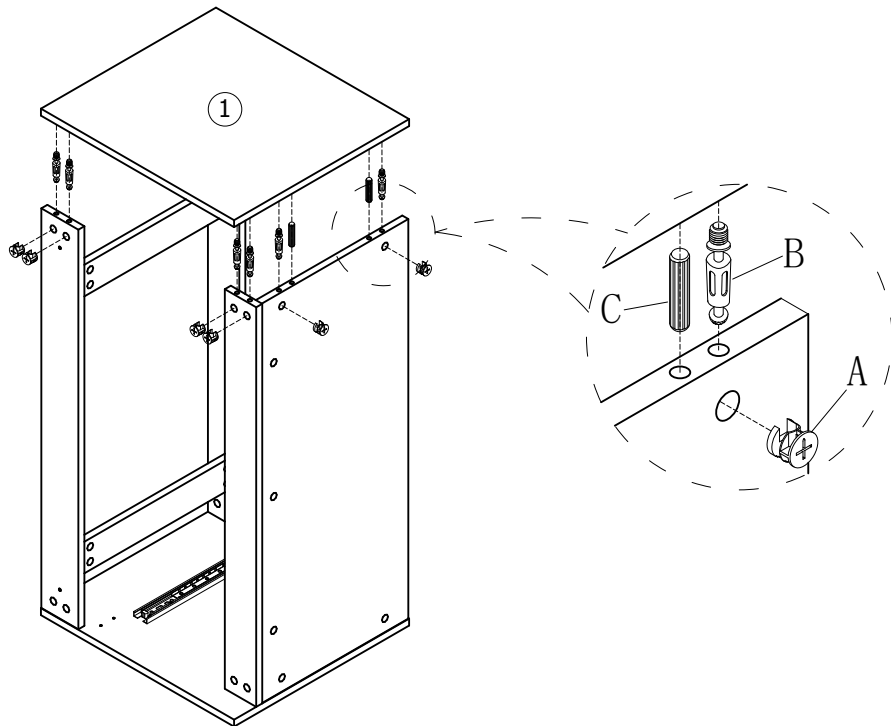
STEP 3

Ax8
Bx8
Cx2



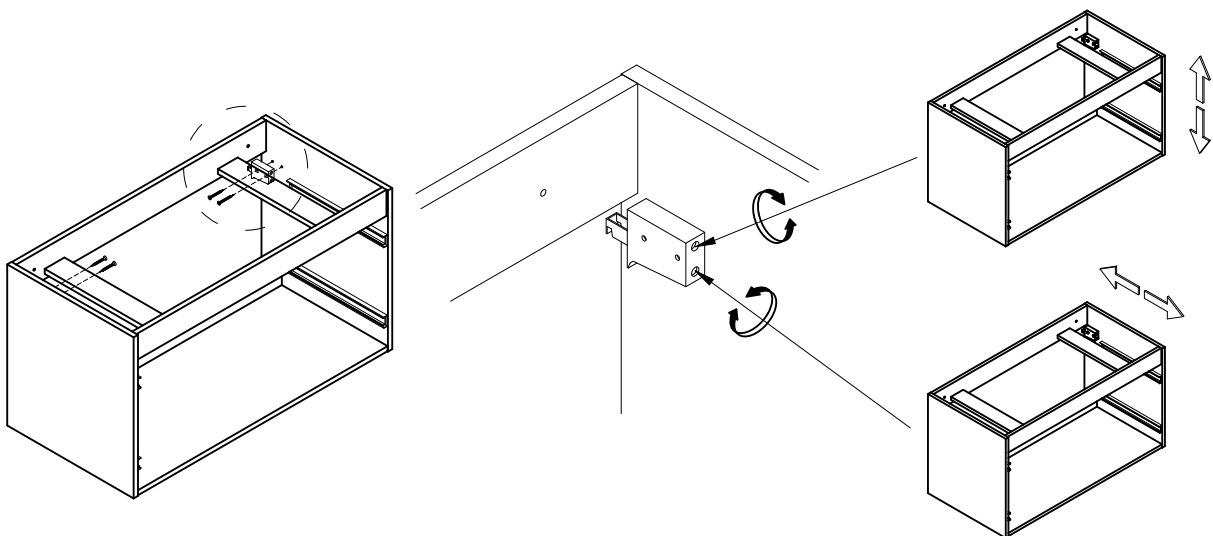
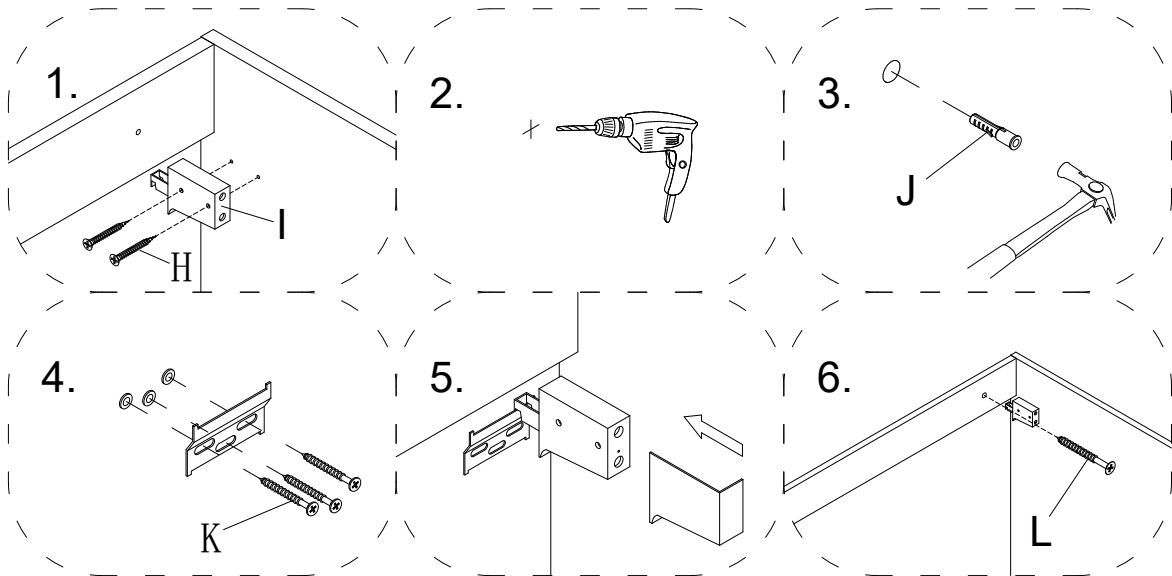
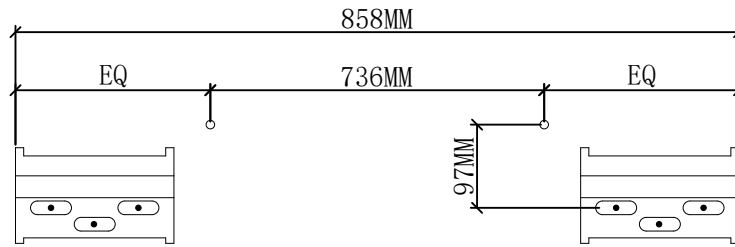
STEP 4

Ax8
Bx8
Cx2



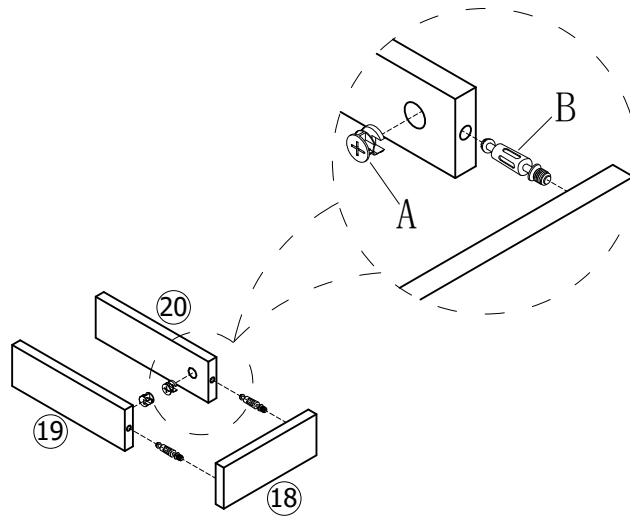
STEP 5

Hx4
Ix2
Jx8
Kx6
Lx2



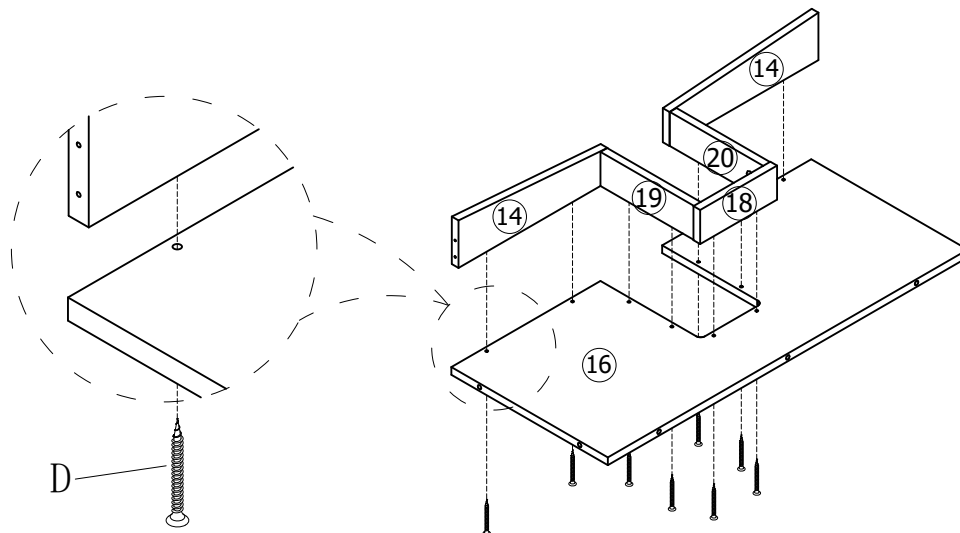
STEP 6

Ax2
Bx2



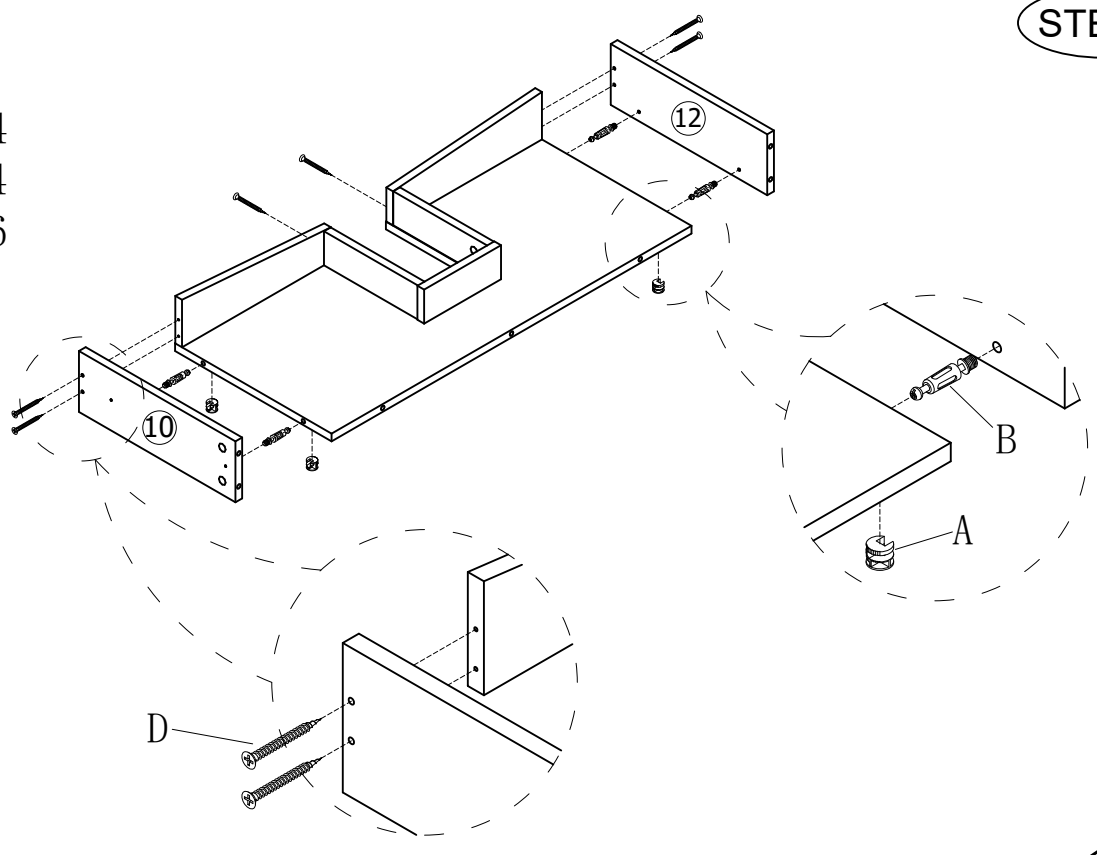
STEP 7

Dx10



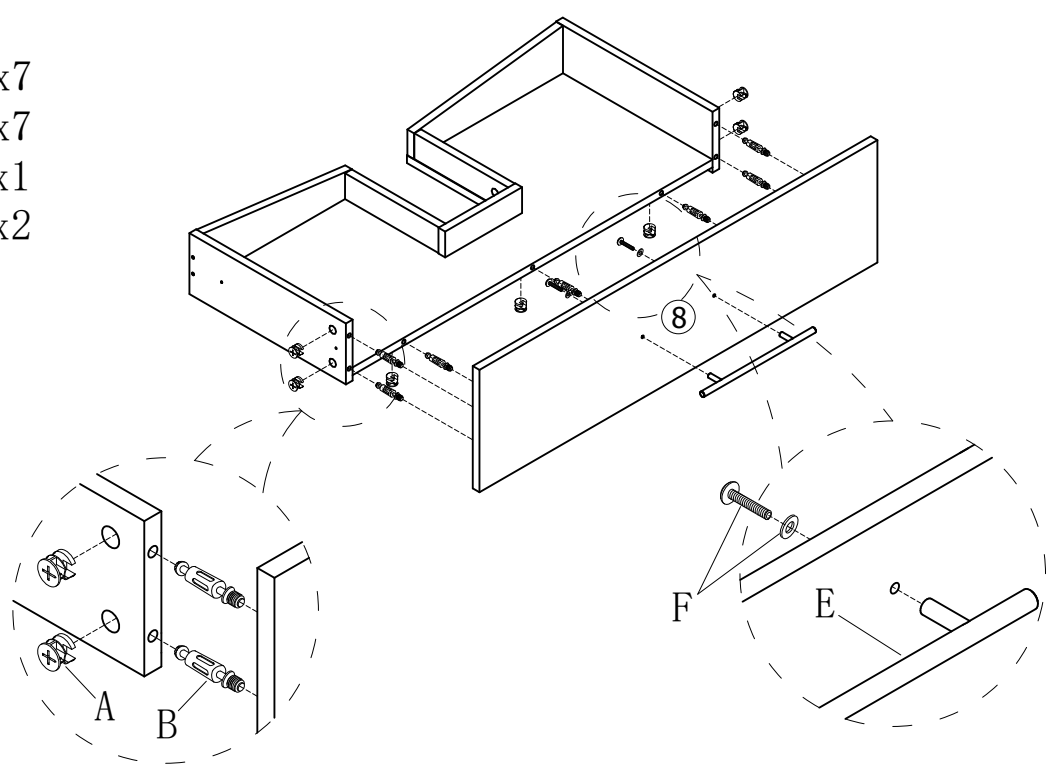
STEP 8

Ax4
Bx4
Dx6



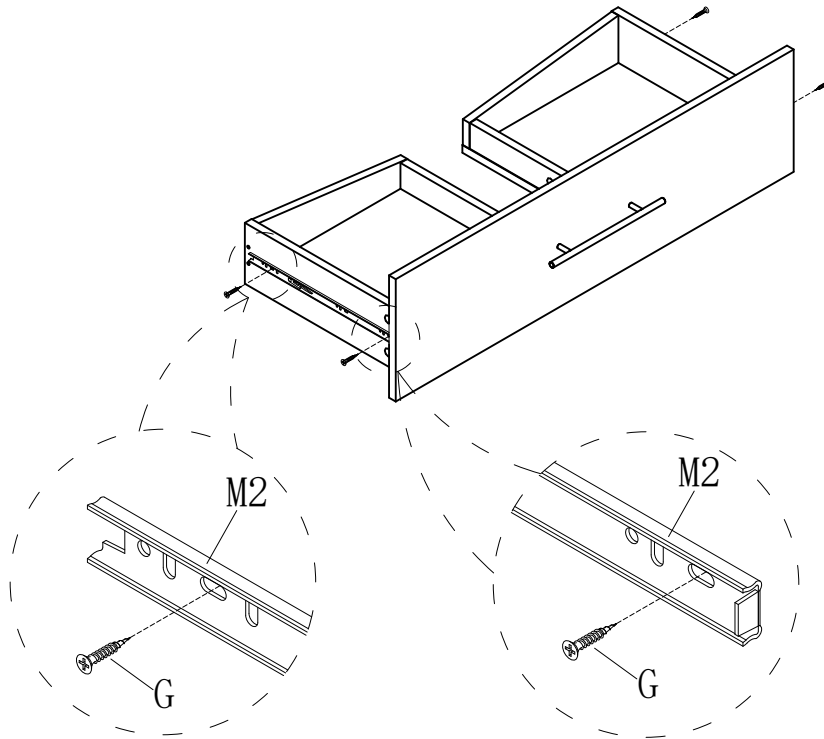
STEP 9

Ax7
Bx7
Ex1
Fx2



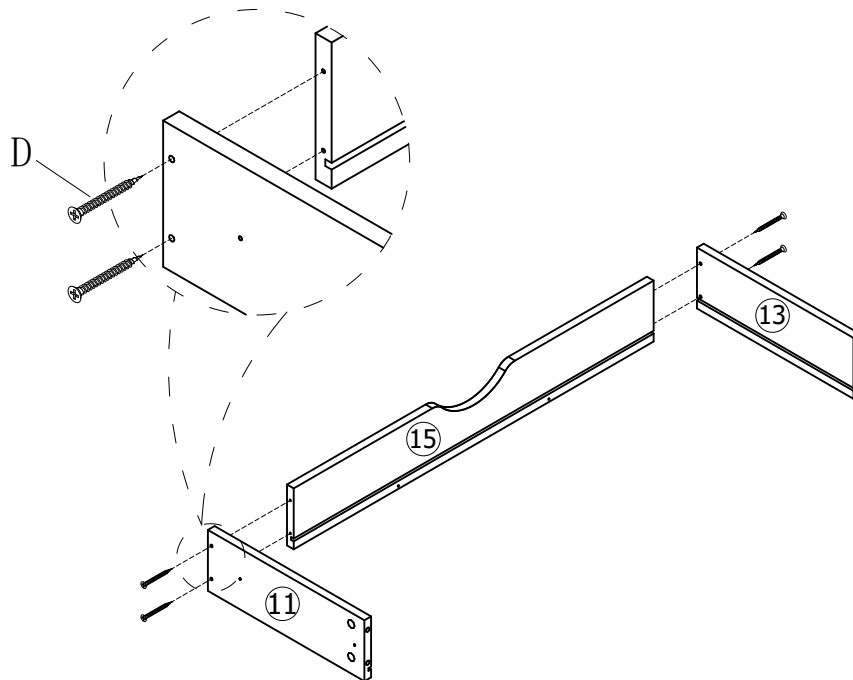
STEP 10

Gx4
M2x2

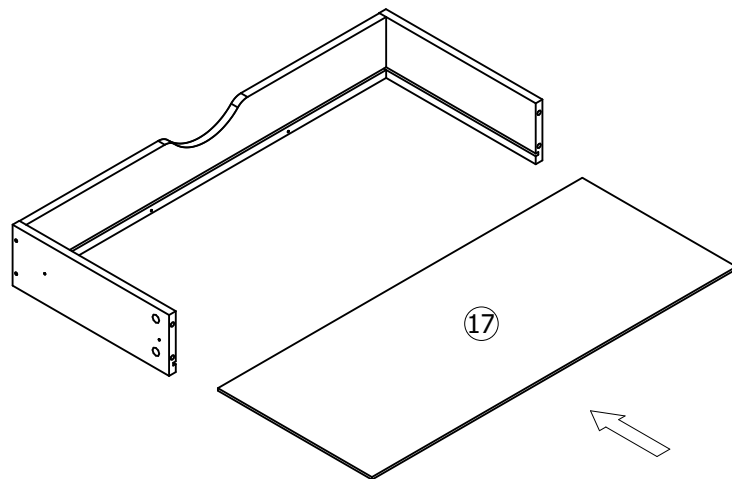


STEP 11

Dx4

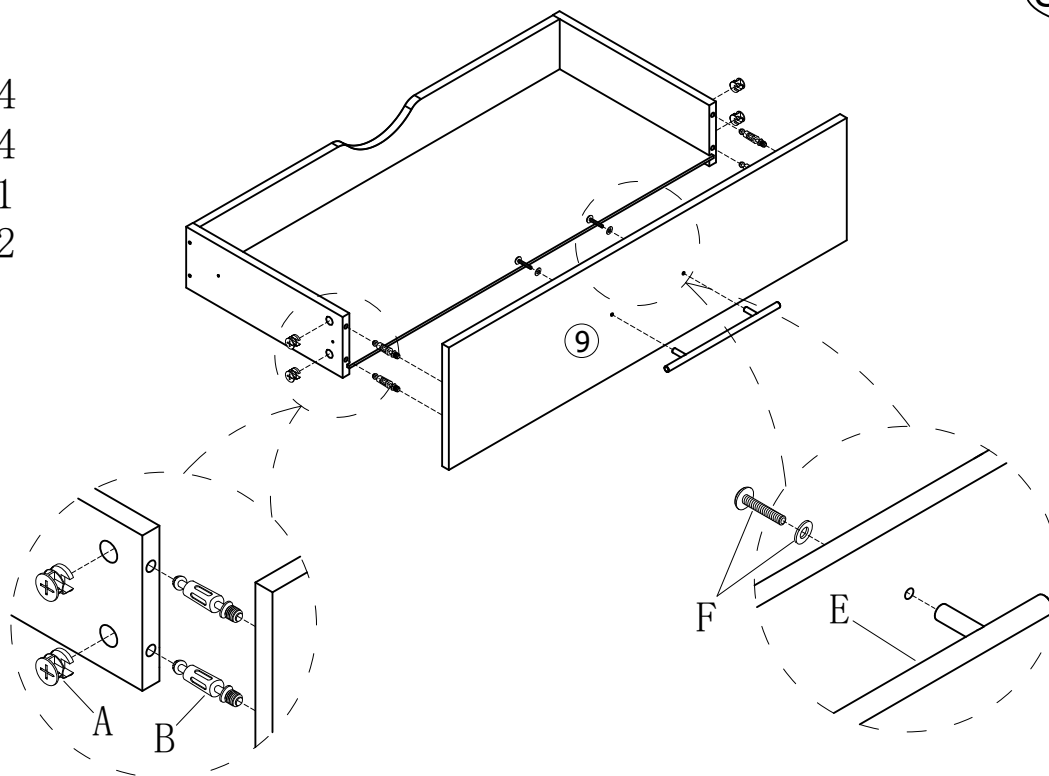


STEP 12



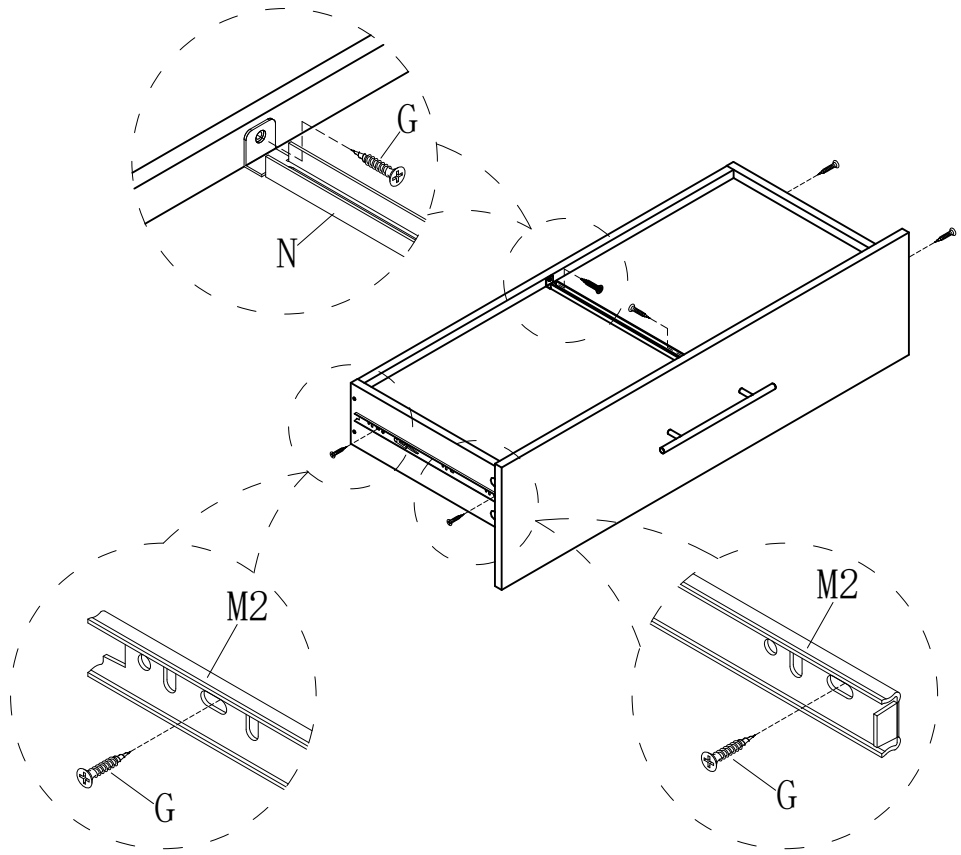
STEP 13

- Ax4
- Bx4
- Ex1
- Fx2

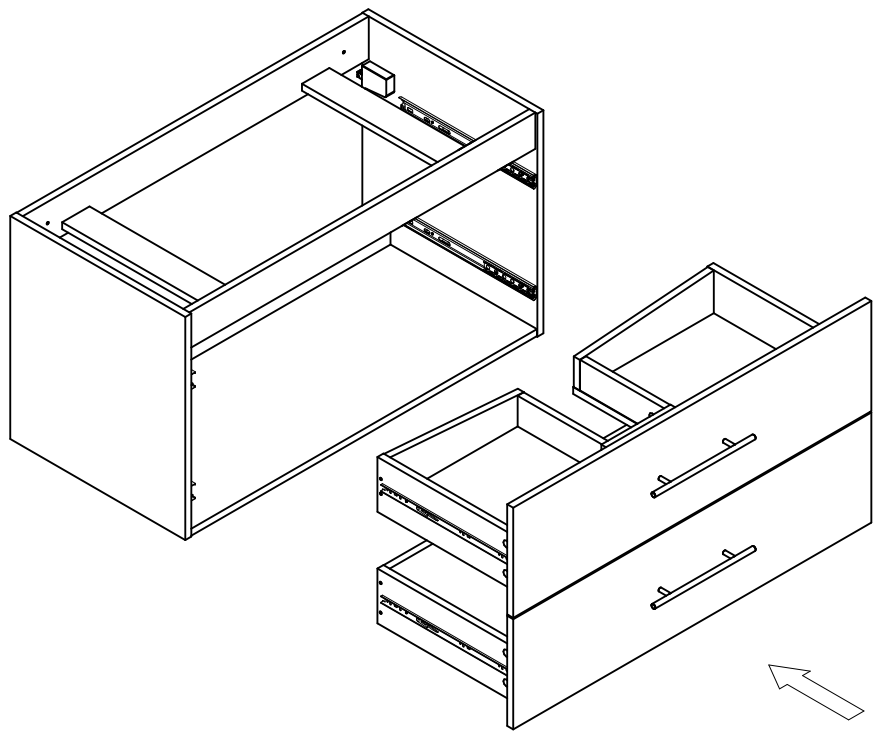


STEP 14

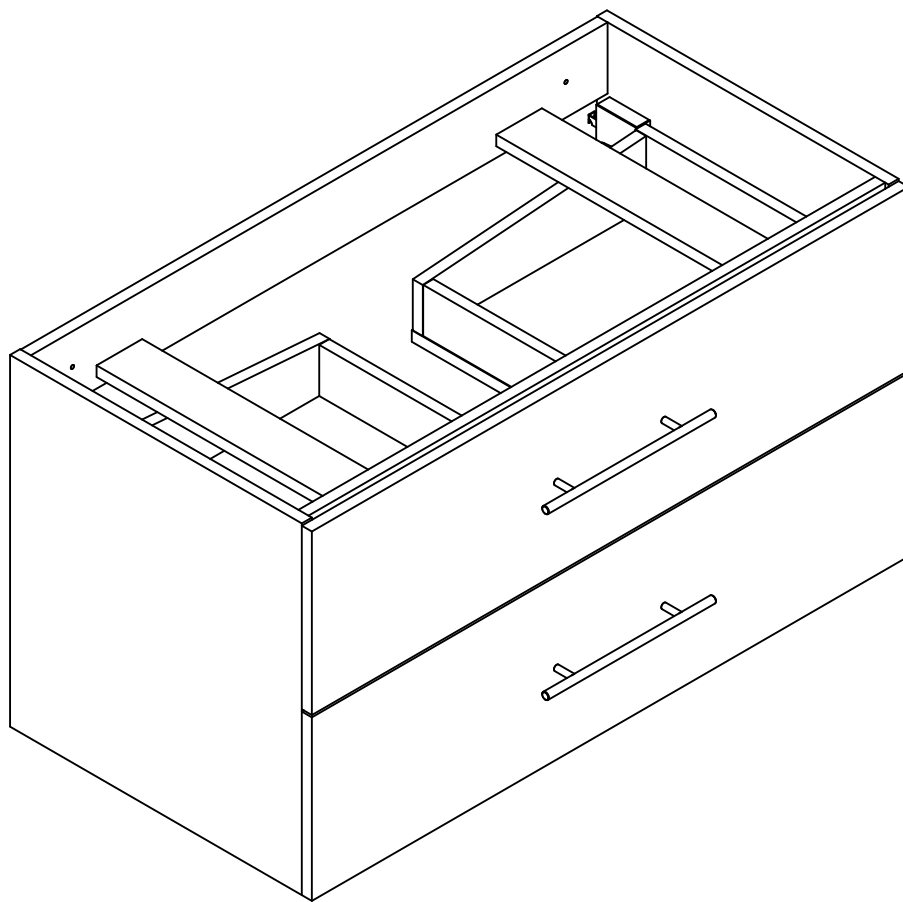
Gx6
M2x2
Nx1



STEP 15



STEP 16



FINISH