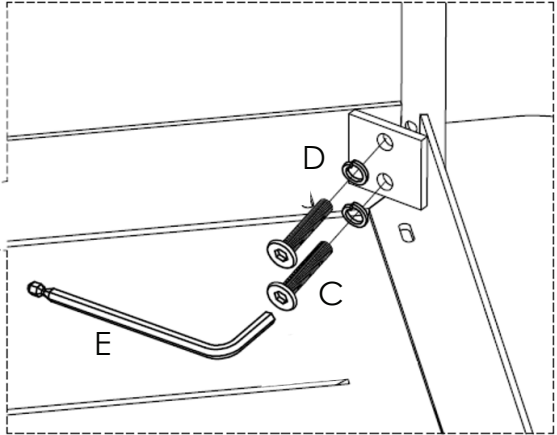
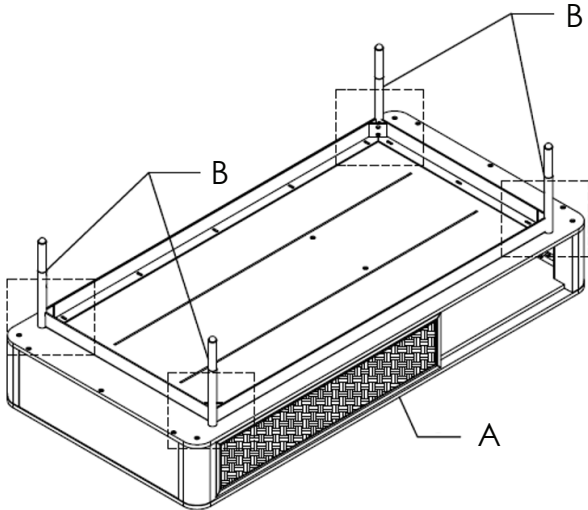
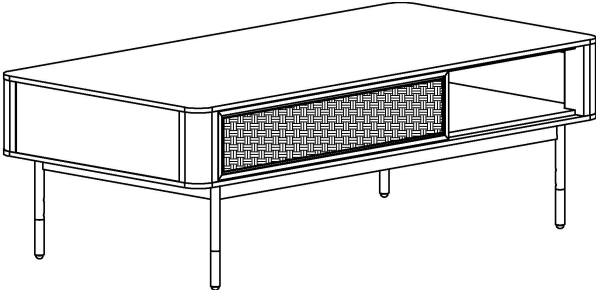


PLEASE NOTE: Check that you have received all components and hardware before assembling.

# Assembly Instructions Coffee Table



A (1 pc)



B (4 pcs)



C (8 pcs)  
M6 x 25mm



D (8 pcs)  
M6



E (8 pcs)  
4mm

During assembly, hand tighten screws only. When the screws are in place, tighten completely.