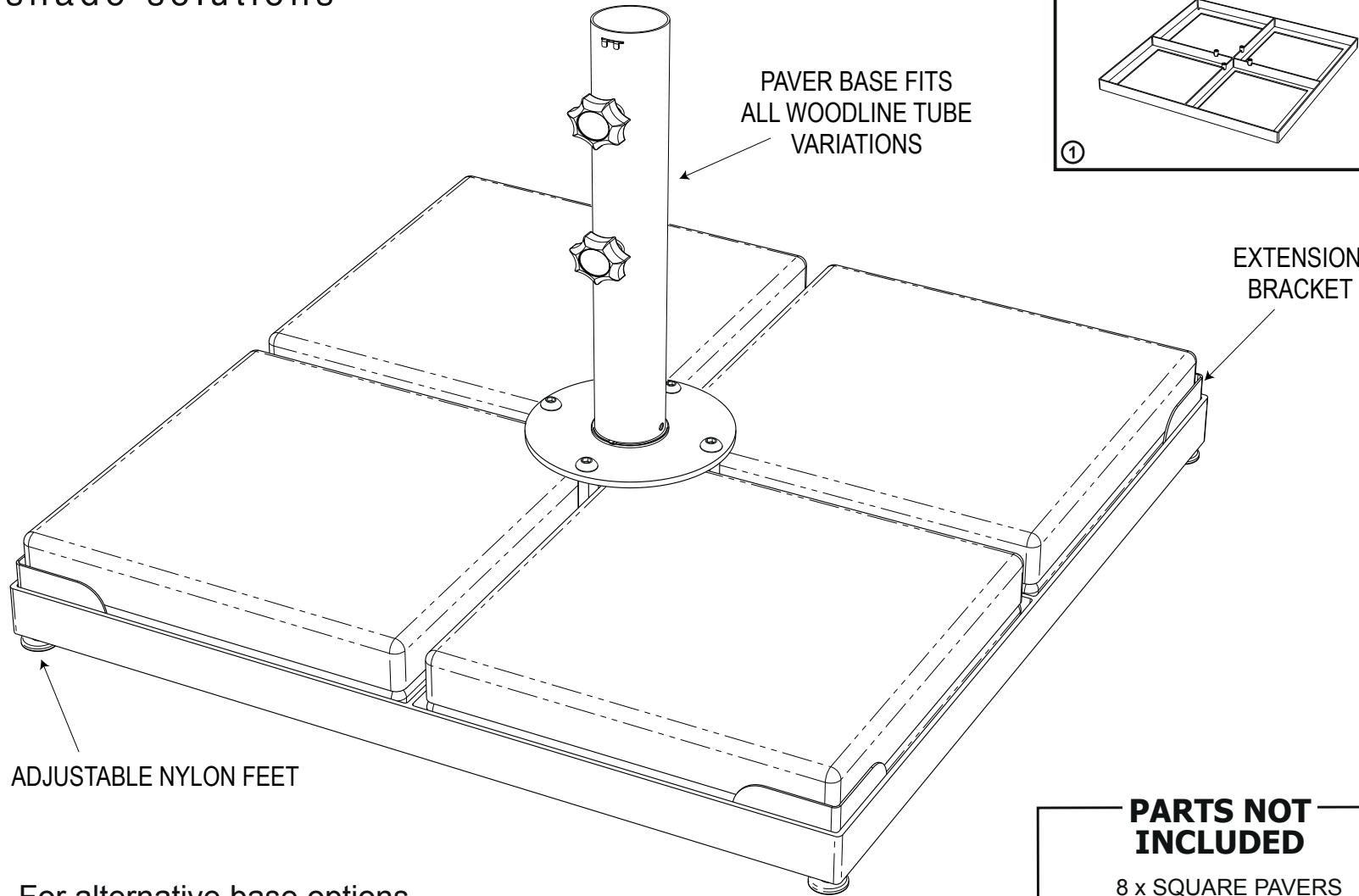


# woodline

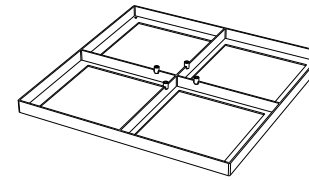
shade solutions

## ASSEMBLY INSTRUCTIONS: PAVER 4 BASE AND PAVER 8 BASE



### PARTS LIST

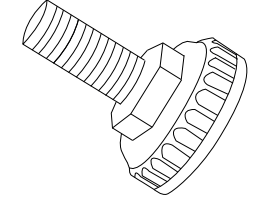
1 x BASE FRAME



1

PACKED

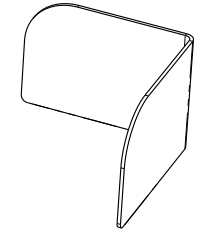
5 x ADJUSTABLE  
M10 x 25MM NYLON FEET  
+ 5 x M10 1/2 NUT SS



2

PACKED

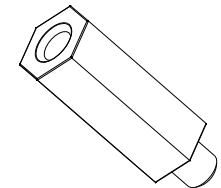
4 x EXTENSION BRACKETS  
(PAVER 8 ONLY)



3

PACKED

4 x HEX NUT SPACERS

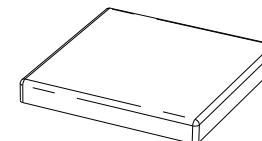


4

PACKED

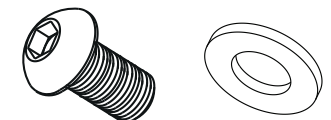
### PARTS NOT INCLUDED

8 x SQUARE PAVERS  
15.6" x 15.6" x 1.7" SLABS



6

4 x M10 X 20  
BUTTON HEAD SCREWS  
&  
4 x M10x20 WASHERS



5

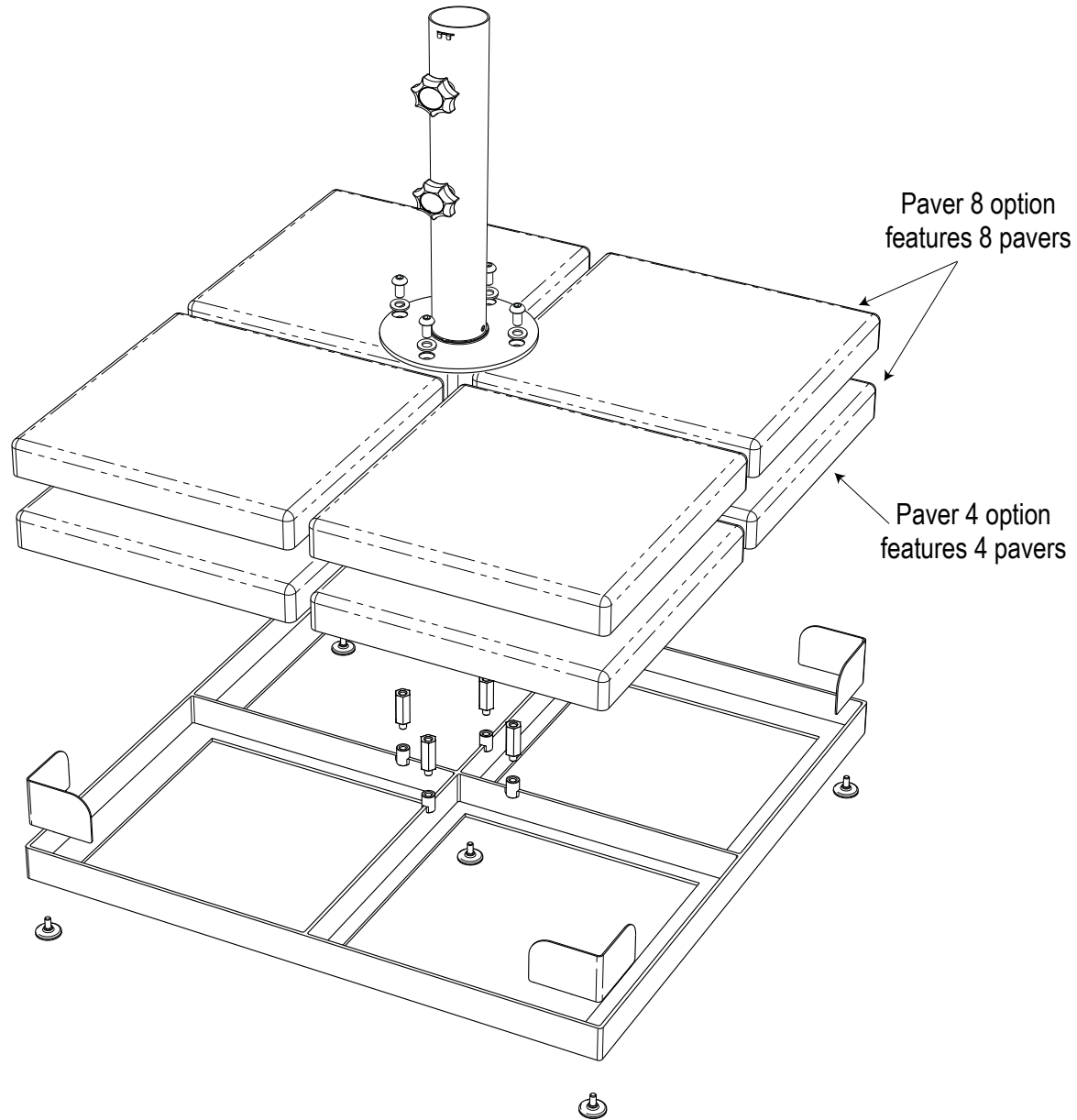
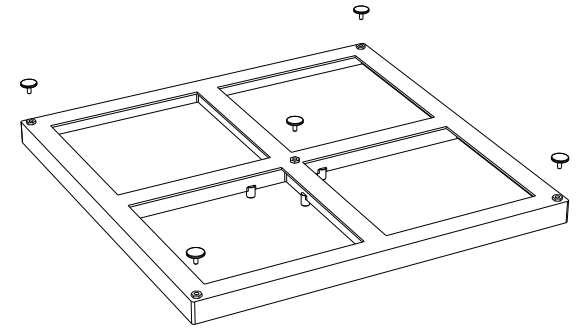
PACKED

PACKED BY: \_\_\_\_\_ DATE: \_\_\_\_\_

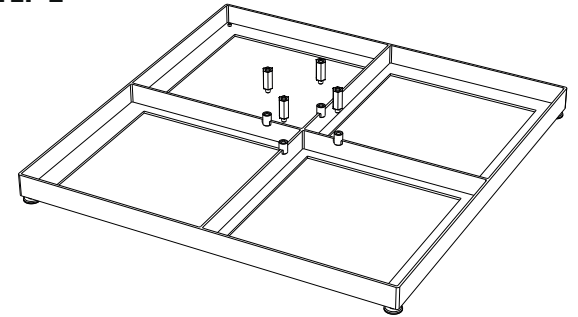
CHECKED BY: \_\_\_\_\_ DATE: \_\_\_\_\_

For alternative base options  
please view our website  
[www.woodlineshade.com](http://www.woodlineshade.com)

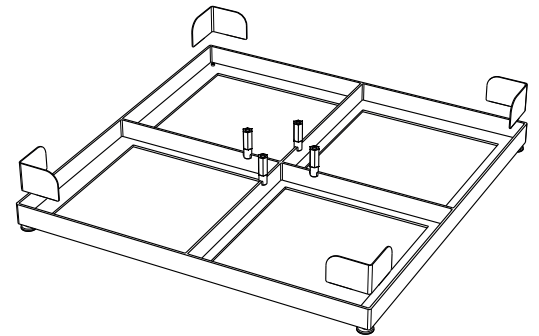
[www.woodlineshade.com](http://www.woodlineshade.com) | +1 848 266 0800

**STEP 1**

Turn base frame ① upside down and screw in the 5 adjustable feet ②.

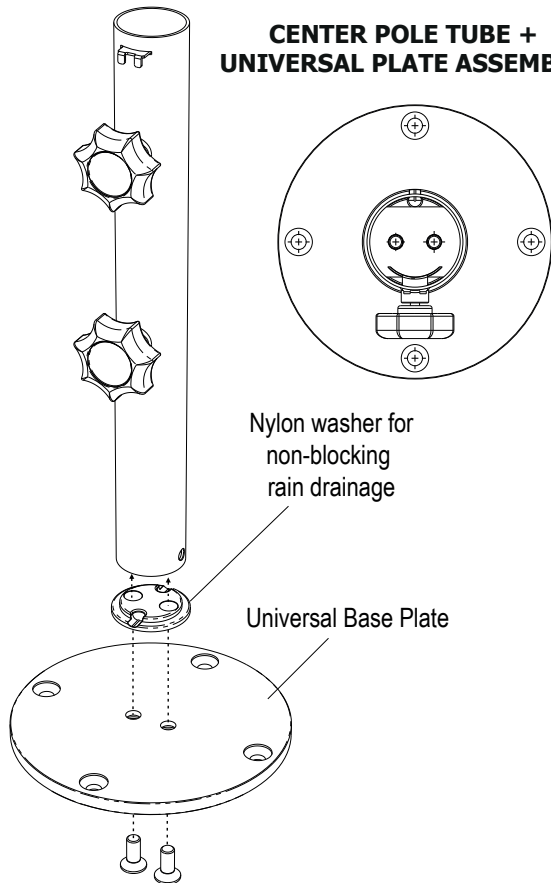
**STEP 2**

- 1 Reposition base on feet and level the frame using the 5 adjustable feet.
- 2 **Only for Paver 8:** screw in the 4 hex spacers as illustrated ④. Ensure screws are firmly tightened.

**STEP 3**

**Only for Paver 8:** slide in the 4 corner extension brackets as illustrated.

**CENTER POLE TUBE + UNIVERSAL PLATE ASSEMBLY**

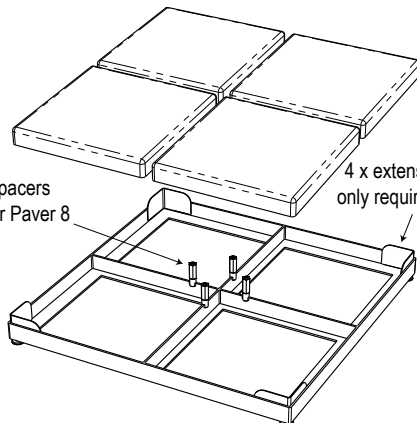


Nylon washer for non-blocking rain drainage

Universal Base Plate

**STEP 4**

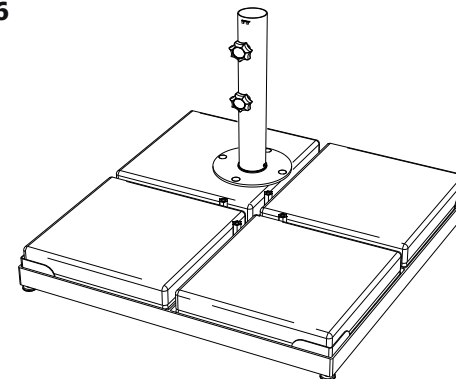
4 x hex nut spacers only required for Paver 8



4 x extension brackets only required for Paver 8

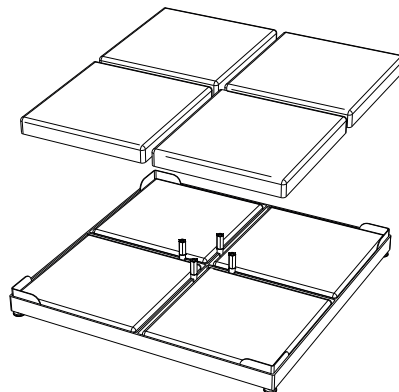
Place 4 concrete pavers into position on base frame.

**STEP 6**



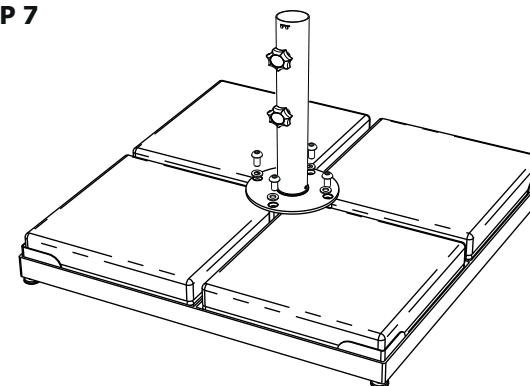
Make sure the center pole tube or spigot holes line up with the threaded studs on the base frame.

**STEP 5**



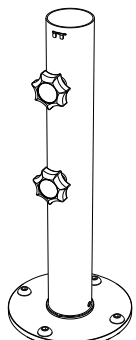
**Paver 8 only:** Place 4 remaining concrete pavers into position on base frame.

**STEP 7**

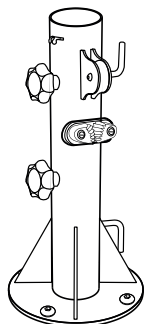


Use the allen key to tighten the 4 button head screws and washers to the base frame. Ensure screws are tightened firmly.

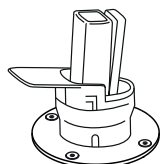
**TUBE ATTACHMENTS**



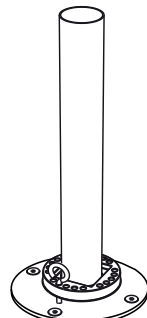
**Centre Pole Tube**  
4 x M10 x 20 button head screws



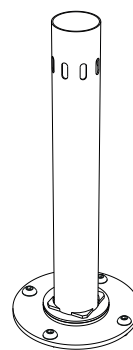
**Rope Lock Stand**  
4 x M10 x 20 button head screws



**Pavone Spigot**  
4 x M10 x 20 button head screws

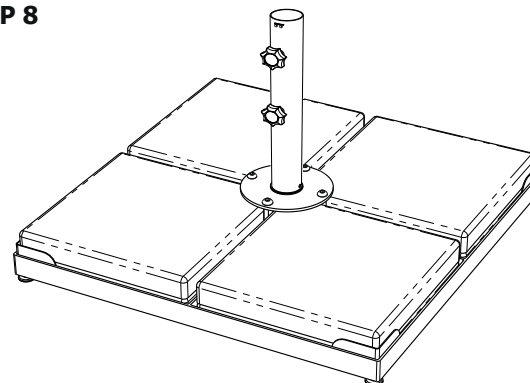


**Picollo Spigot**  
4 x M10 x 20 button head screws



**Pendulum Spigot**  
4 x M10 x 20 button head screws

**STEP 8**



Free-standing base is now ready to secure the umbrella.