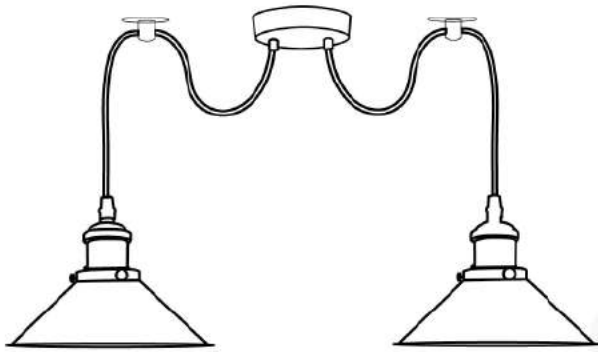
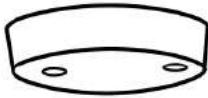
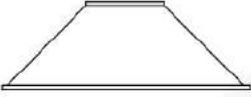







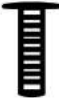




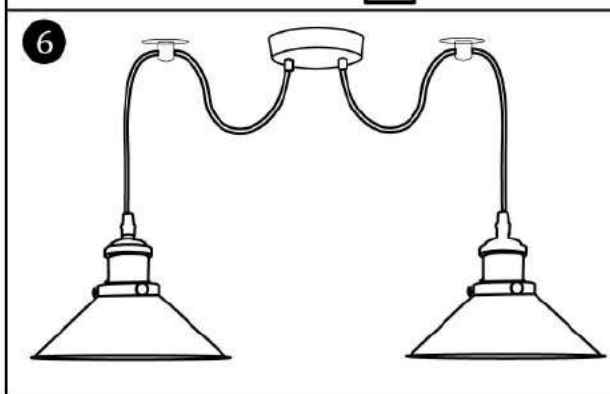
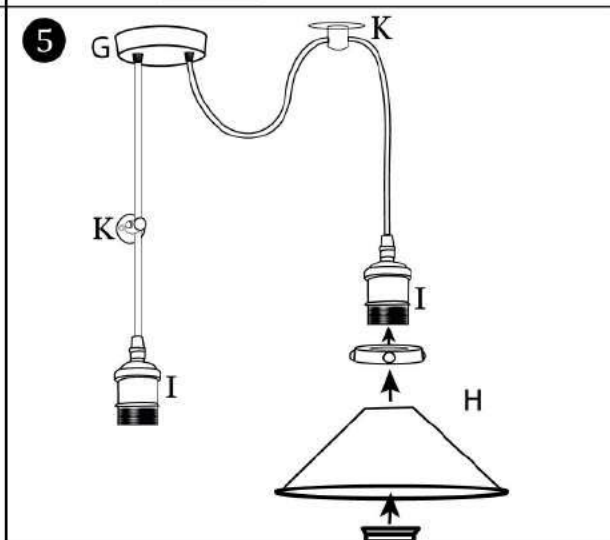
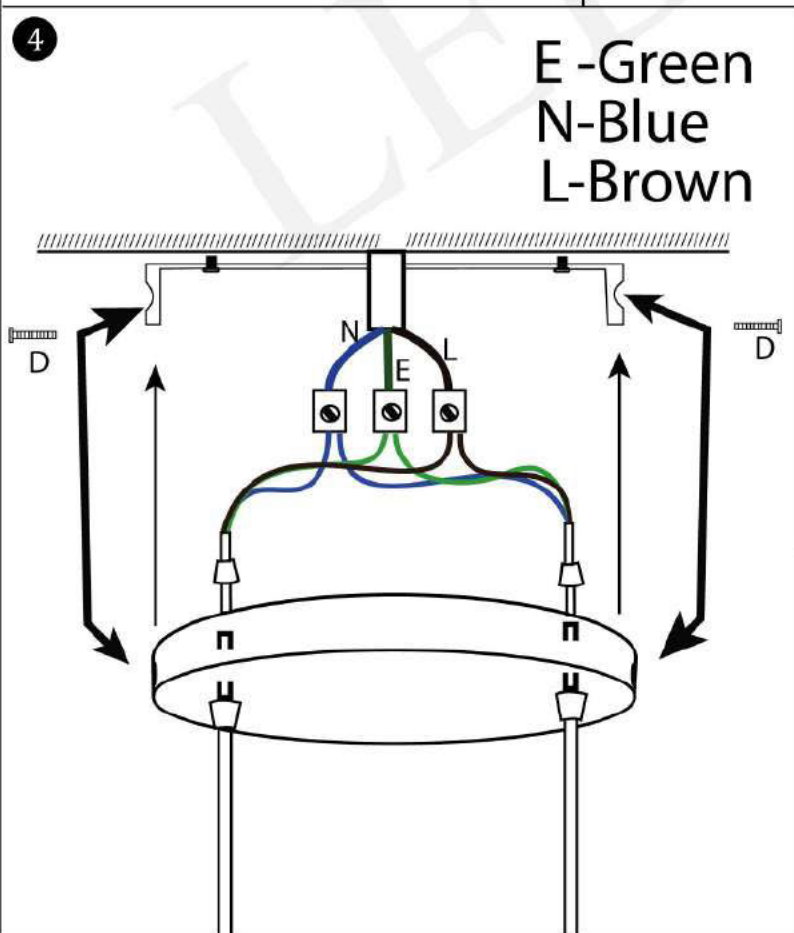
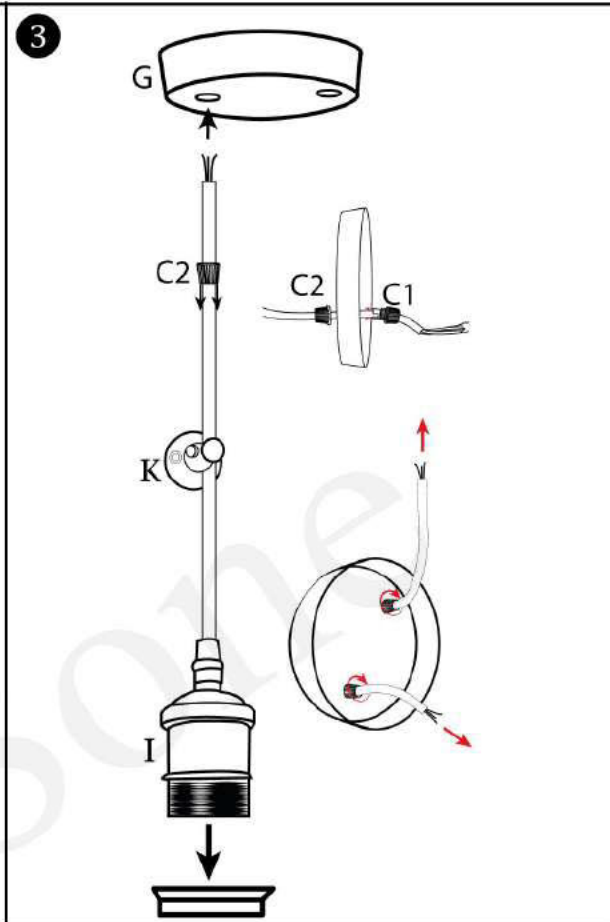
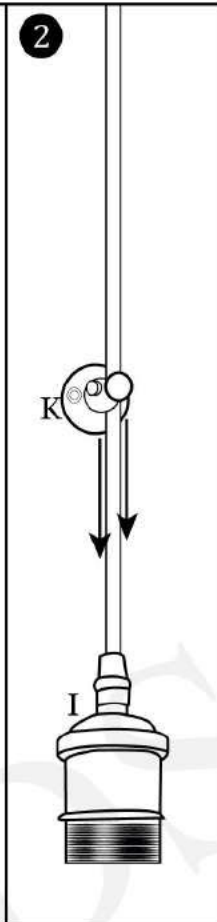
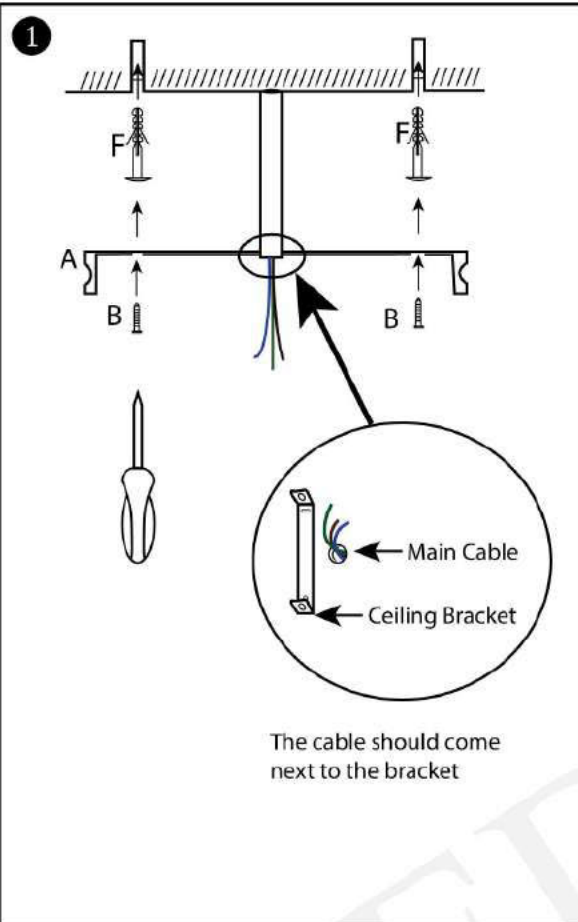
## 2 WAY PENDANT SPIDER LAMP ASSEMBLING INSTRUCTION



- G  1 X Ceiling Rose
- H  2 X Lamp Shade
- I  2 X Lamp Holder
- J  2 X Shade Cap
- K  2 X Wire cord Hook

A		1
B		12
C1		5
C2		5
D		2
E		1
F		2

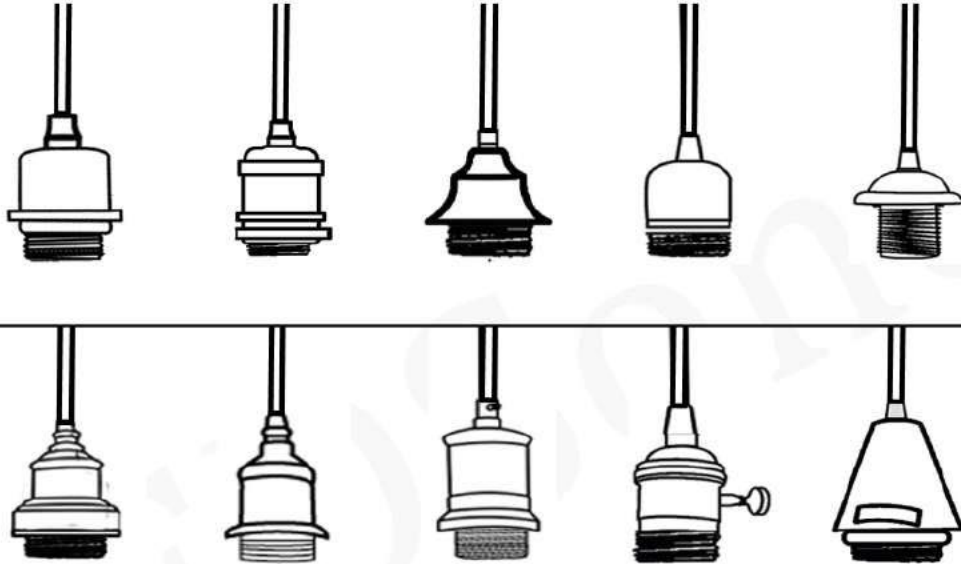
# 2 WAY PENDANT SPIDER LAMP ASSEMBLING INSTRUCTION



\* Please refer the last page for compatible pendant holders & Lamp SHade

# COMPATIBLE LAMP HOLDER WITH SHADE

## Pendant Holder With Cable I



## Pendant Lamp Shade -H

