

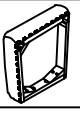







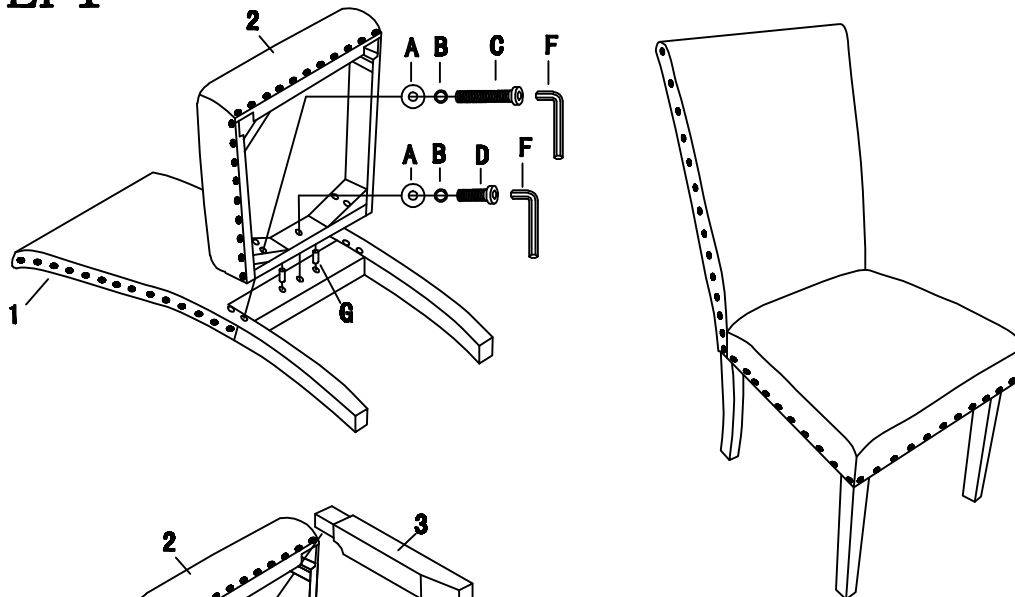


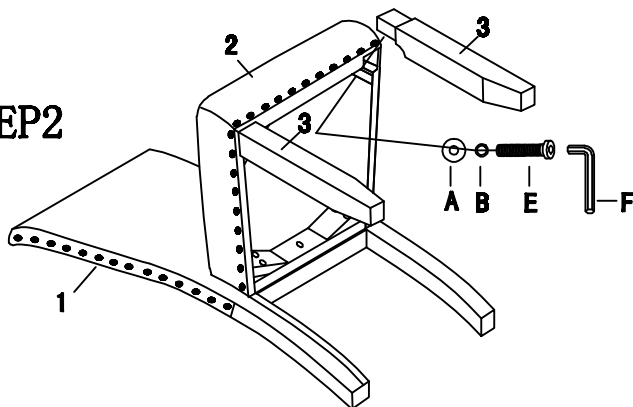
ASSEMBLY INSTRUCTION

PARTS			HARDWARE LIST			
1		CHAIR BACK 1PC	A		Ø 5/16" * 22mm	9PCS
2		SEAT 1PC	B		Ø 5/16"	9PCS
3		FRONT LEG 2PCS	C		Ø 5/16" * 3-1/2"	4PCS
			D		Ø 5/16" * 1-3/4"	1PC
			E		Ø 5/16" * 2-1/4"	4PCS
			F		5mm	1PC
			G		Ø 10 * 30mm	2PCS

STEP 1



STEP 2



Do not tighten screws until completely assembled