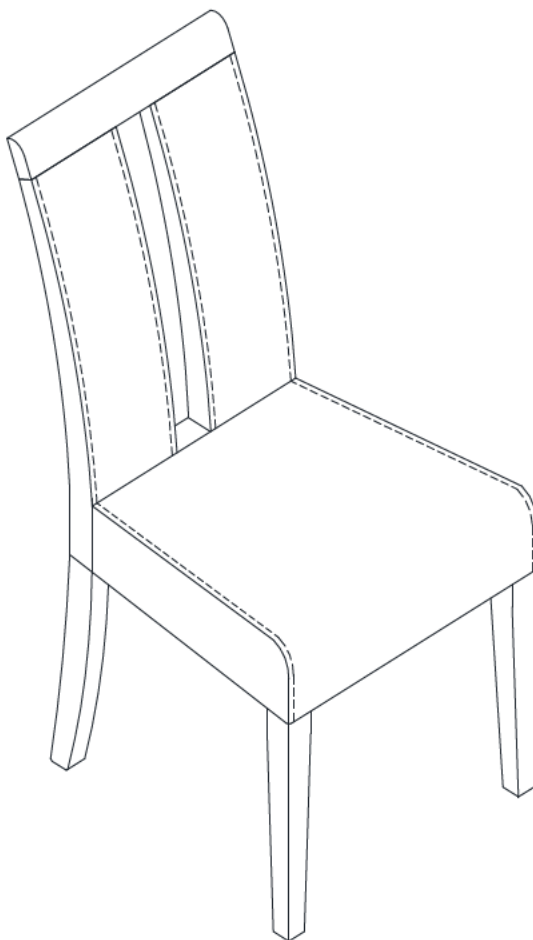
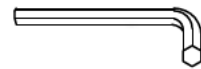


ASSEMBLY INSTRUCTIONS



TOOLS REQUIRED



Allen Wrench
(Included)



**2 - Persons
Recommended**

ASSEMBLY RATING



EASY —————> DIFFICULT

The Assembly Rating is a 5-point system showing the level of effort needed to assemble a specific product.

Thank you for your purchase!

We hope you enjoy this new addition to your home for many years to come.

Our commitment to providing quality products does not simply end when you purchase our product. We fully stand behind our products from start to finish.



CHECK BEFORE STARTING



Are you missing anything?

Double-check all parts, hardware and accessories listed on Page 6 are accounted for.



Check out our Quick Tips!

We recommend reviewing the pre-assembly handouts. Even experts need a refresher now and then!



Prep Time!

Please review the assembly instructions and all diagrams prior to assembling. Set up your work-space by laying the parts and hardware out separately, then begin!

PRE ASSEMBLY INTRODUCTION

We understand building ready-to-assemble furniture can be a challenging experience for some. To help avoid confusion, we have provided some helpful tips that may speed up the process.



Teamwork

ALWAYS have at least two people to help with transporting and assembling the product to avoid potential injury and/or damage.



Suitable Location

Assembling near the area of the intended location is highly recommended.



Sufficient Space

Make sure you have enough space to move around during the assembly.



Avoid Scratches

Use cardboard, blankets or a carpeted area while assembling furniture to prevent scratches.



Flat Surface

Make sure the furniture rests on a flat and level surface with each leg evenly touching the floor.

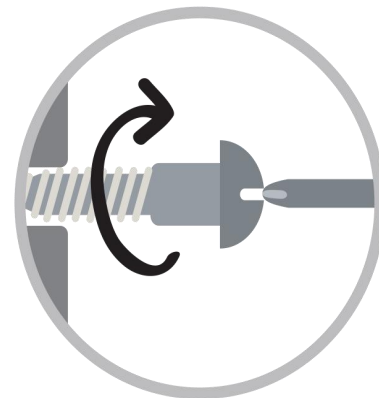
ASSEMBLY AND CARE ADVICE



FAILURE TO FOLLOW THE GUIDELINES BELOW MAY RESULT IN INJURY AND/OR PROPERTY DAMAGE.



Position each part correctly and insert screws or bolts into their respective holes.



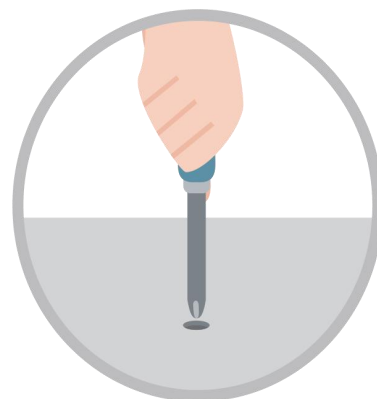
Turn clockwise to tighten and only tighten when step is completed or when instructed to do so.



Use the appropriate hand tools or power tools for assembly. Select steps, such as tightening screws and/or bolts, may require hand tools to avoid causing damage during assembly.



Save the instructions and store any supplied tools for later maintenance.



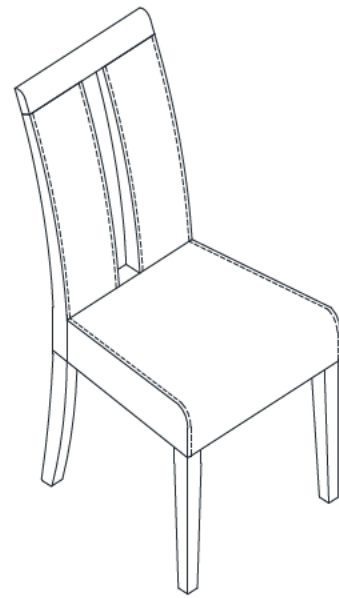
After two weeks, check and tighten any loose hardware and repeat again every six months thereafter.

IT IS THE USER'S RESPONSIBILITY TO MAINTAIN THE FURNITURE. THE HARDWARE MAY LOOSEN OVER TIME AND MAY CAUSE THE FURNITURE TO BE WOBBLY AND UNABLE TO SUPPORT ITS INTENDED WEIGHT CAPACITY. THIS MAY LEAD TO COLLAPSE AND MAY CAUSE SERIOUS INJURY.

SIDE CHAIR

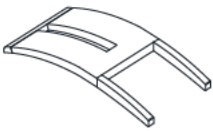


- Please keep instructions for future reference.
- Check the quantity and irregularity of parts and hardware before you start.



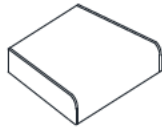
PARTS

#1 1pc



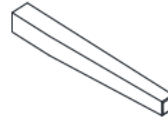
Back Rest w/Legs

#2 1pc



Seat Cushion

#3 2pcs



Leg

HARDWARE

#A 1pc



Allen Wrench

#B 4pcs



Bolt ϕ 5/16" x 3-1/2"

#C 2pcs



Bolt ϕ 5/16" x 2"

#D 4pcs



Bolt ϕ 5/16" x 2-1/4"

#D 10pcs



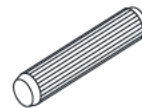
Lock Washer ϕ 5/16"

#E 10pcs



Flat Washer ϕ 5/16"

#G 1pc

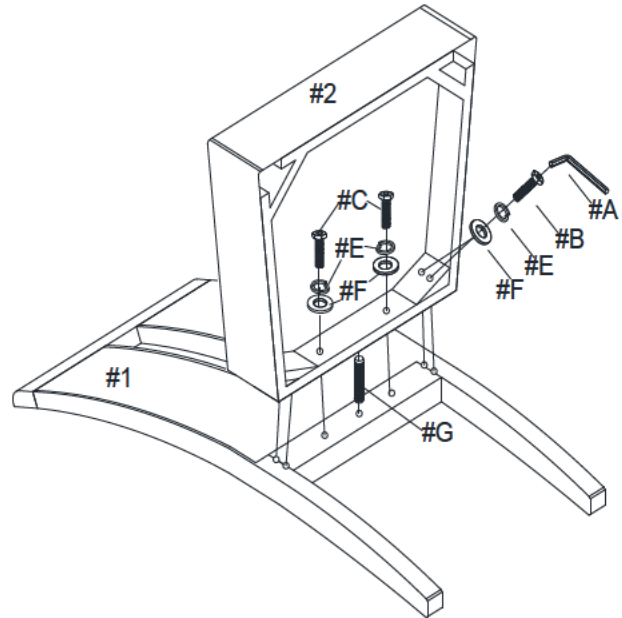


Wood Dowel

ASSEMBLY INSTRUCTIONS

- 1**
- Part #1 x1pc
 - Part #2 x1pc
 - Hardware #B x4pcs
 - Hardware #C x2pcs
 - Hardware #E x6pcs
 - Hardware #F x6pcs
 - Hardware #G x1pc

- I. Place the back rest with legs (#1) on a protected surface. Insert the wood dowel (#G) to the center hole of the back rest with legs (#1).
- II. Align the seat cushion (#2) with the wood dowel (#G) and the pre-drilled holes of the back rest with legs (#1).
- III. Prepare 2 bolt assemblies by inserting FIRST the spring washer (#E) onto the bolt (#C) and then the flat washer (#F) onto the SAME bolt (#C), in that order.
- IV. Insert the bolt assembly through the hole between the wood dowel (#G) and the edge of the seat cushion (#2) and secure that bolt using the Allen wrench (#A) to lock it in with the back rest with legs (#1). Repeat for the other side.
- V. Prepare 4 bolt assemblies by inserting FIRST the spring washer (#E) onto the bolt (#B) and then the flat washer (#F) onto the SAME bolt (#B), in that order.
- VI. Insert 2 bolt assemblies through the two pre-drilled holes in the corner of the seat cushion (#2) and secure those bolts using the Allen wrench (#A) to lock it in with the back rest with legs (#1). Repeat for the other side.

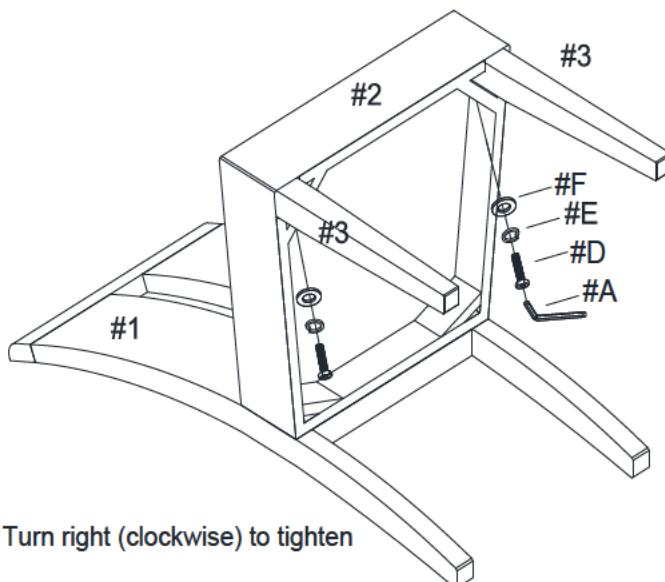


Turn right (clockwise) to tighten

2

- Part #3 x2pcs
- Hardware #D x4pcs
- Hardware #E x4pcs
- Hardware #F x4pcs

- I. Insert the 2 legs (#3) to align with the pre-drilled holes of the seat cushion (#2).
- II. Prepare 4 bolt assemblies by inserting FIRST the spring washer (#E) onto the bolt (#D) and then the flat washer (#F) onto the SAME bolt (#D), in that order.
- III. Insert 2 bolt assemblies through the two pre-drilled holes in the corner of the seat cushion (#2) and secure those bolts using the Allen wrench (#A) to lock it in with the leg (#3). Repeat for the other side.
- IV. Carefully turn the completed chair upright. Make sure the chair is rested on a flat surface and it does not feel loose or wobbly. If it does, double check that the bolts are secured and properly tightened.



Turn right (clockwise) to tighten

ASSEMBLY COMPLETED



Please ensure the furniture rests on an even and flat surface. If the product wobbles or feels loose, double-check all bolts and/or screws are properly tightened and secured.



Keep this handy!

Please retain this instruction manual and any order-related information for future reference.