

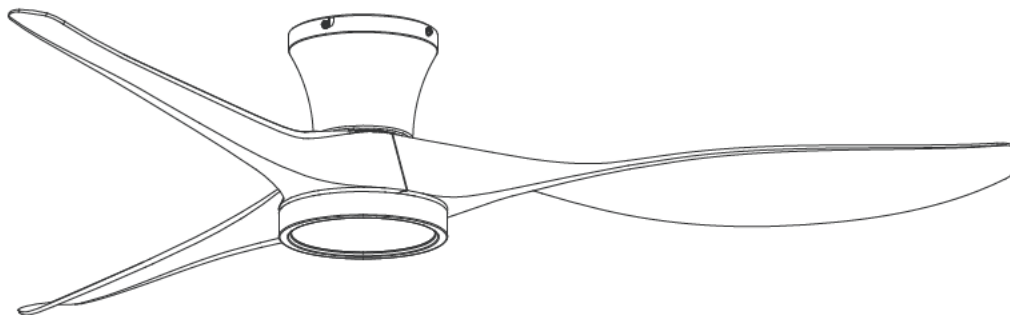
# Technical specifications

## Ceiling Fan Light

**Input:** AC100-240V 50/60Hz

**Size:**  $\varphi$ 52inch; H9inch

**Power:** 50W (Fan: 35W Light: 15W)



**WARNING**



ON/OFF switch



Dimmable switch

Disconnect power prior to installation, inspection, or removal  
Do not touch when light is on or when it is hot  
If there is any problem with the fixture, turn power off and do not attempt to repair unless you are a qualified technician  
Do not expose to water or rain

# Packing List



Mounting Bracket



Canopy Washer



Canopy



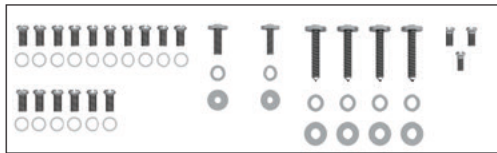
Fan Motor Assembly



Light Fixture



Remote Control

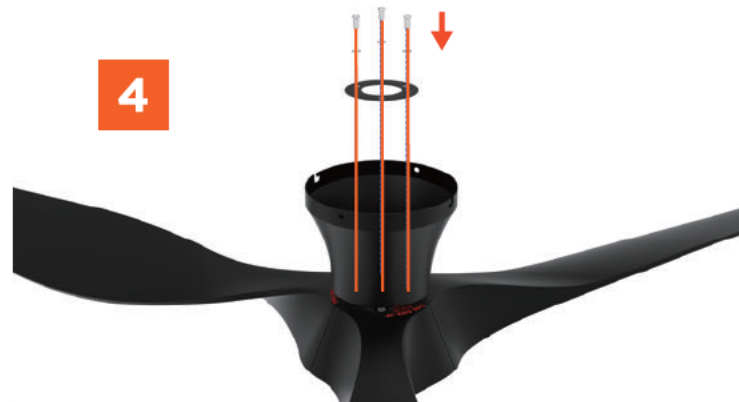
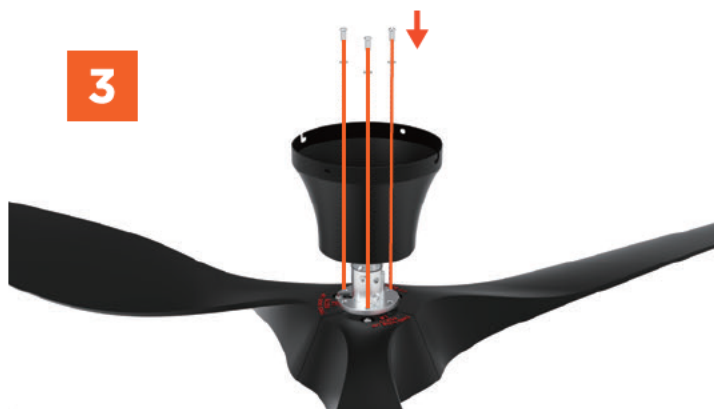
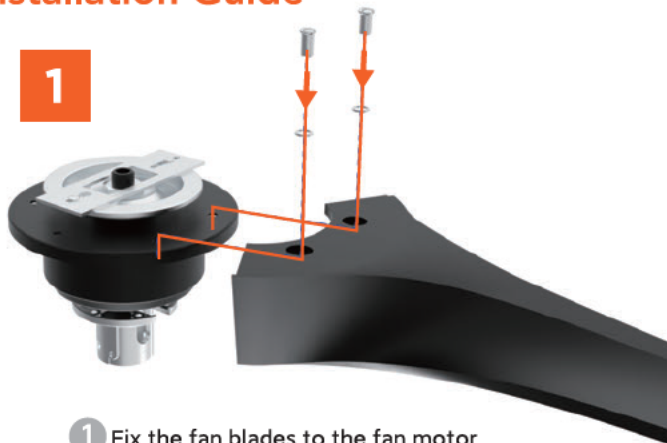


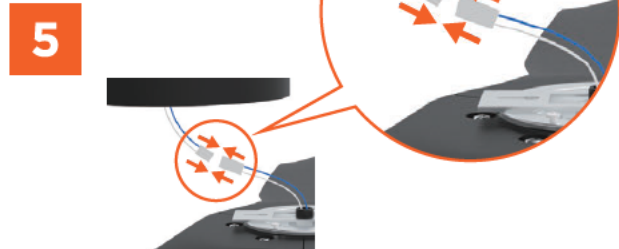
Screw Pack



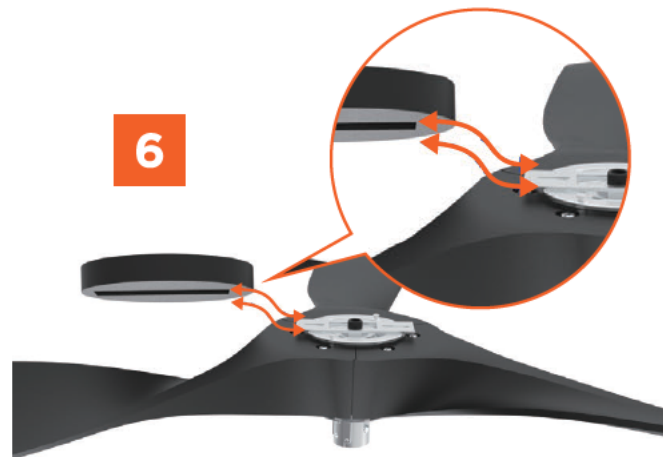
Blade

## Installation Guide

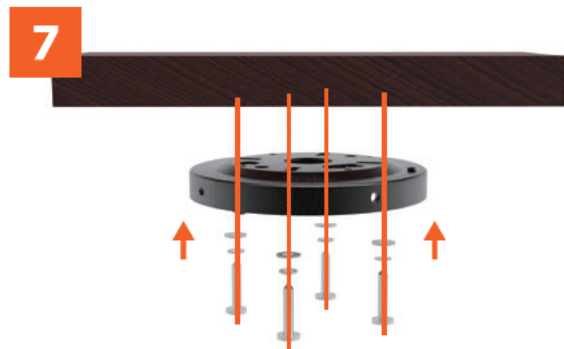




5 Connect the wires of the light fixture.



6 Install the light fixture onto the fan.



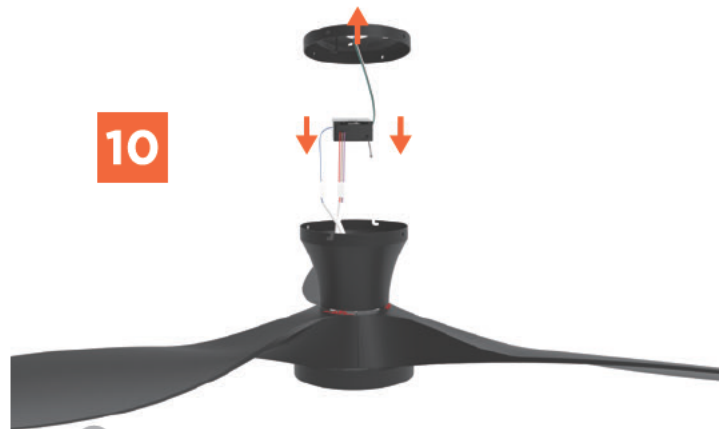
7 Fix the Mounting Bracket to the ceiling.



8 Hang the fan onto the mounting bracket on the ceiling.



- 9 Connect the fan controller's two wire sets (one for lighting, one for fan control) to their respective matching wires on the fan.



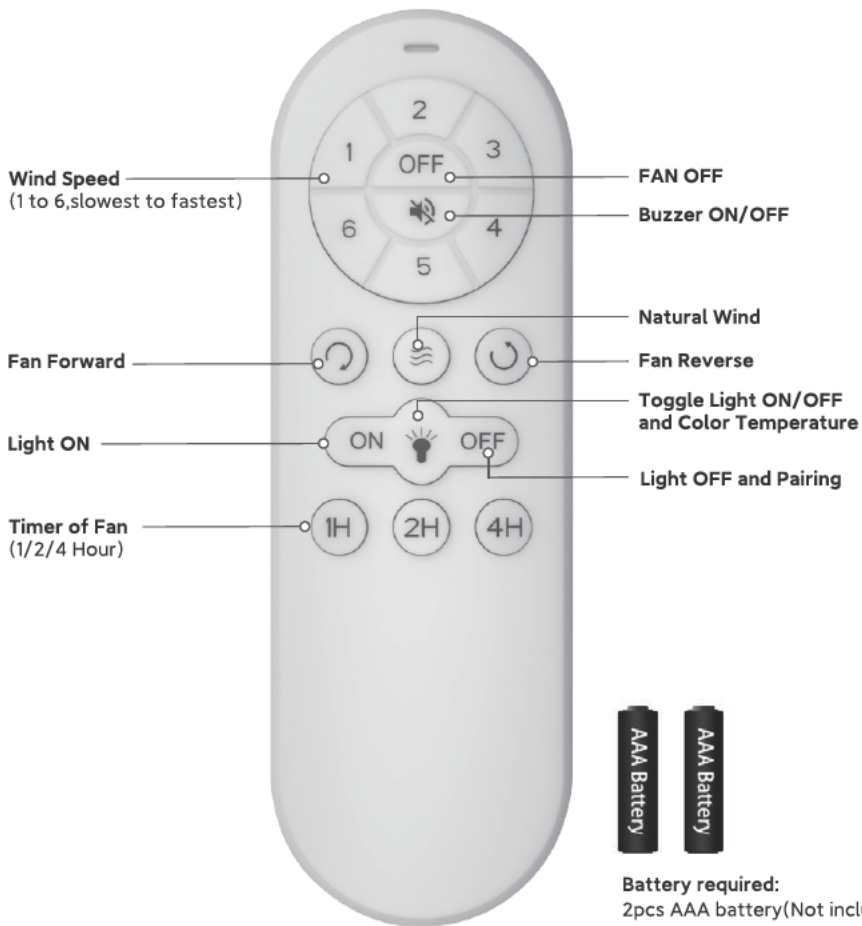
- 10 Connect the input of the controller to the ceiling power cord and place the controller inside the canopy.



- 11 Hang the fan onto the ceiling, secure it in place.



- 12 Installation is complete.



### PAIRING METHOD:

Within the first 30 seconds of powering on the fan, press and hold the 'Light OFF' button. A successful pairing is indicated by a beep sound.

### TROUBLESHOOTING GUIDE:

If you find the remote control unable to operate the fan, please follow these steps to resolve the issue:

- 1, Check the remote control's battery for proper contact, correct placement, and sufficient charge.
- 2, Re-pair the remote control with the ceiling fan.