

BED FRAME

aiffurnishings.com

KING

ASSEMBLY INSTRUCTIONS

Before assembling your bed frame, please read through these instructions carefully and familiarize yourself with the different parts.



ATTENTION! If you receive a damaged or defective item, please contact aiffurnishings.

PARTS LIST

- ① **SIDE RAILS** **2 PCS**
- ② **SLAT KIT** **2 SET**
- ③ **SUPPORT RAIL** **2 PCS**
- ④ **P SUPPORT LEGS** **4 PCS**
- ⑤ **L SUPPORT LEGS** **4 PCS**

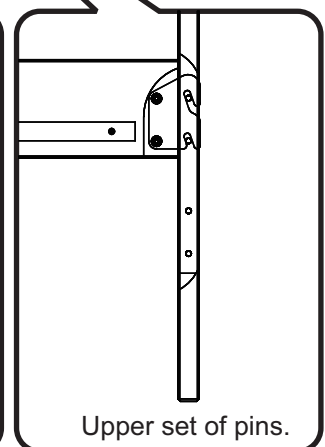
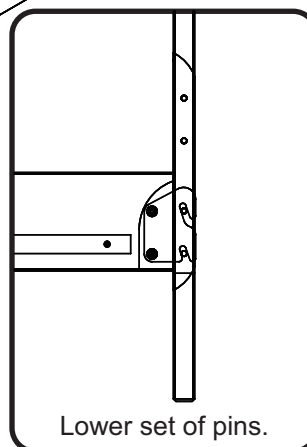
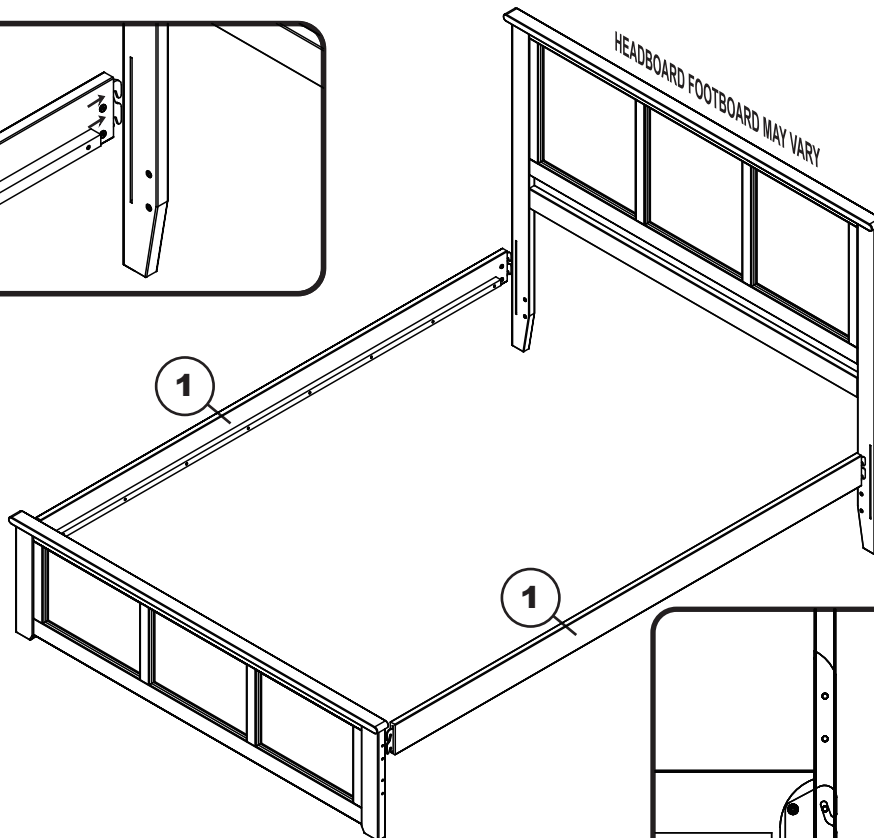
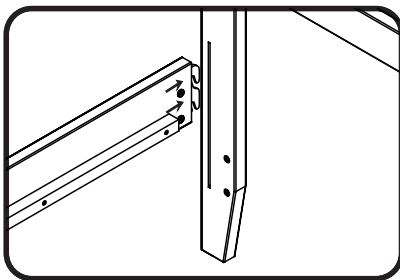
HARDWARE

- A** JCB M6 X 30mm (1 1/8") - 6 pcs
Spare - 1 pc
- B** Cap Nut - 6 pcs
- C** JCB M8 X 40mm (1 5/8") - 4 pcs
Spare - 1 pc
- D** Wood screw(1 1/4") - 12 pcs
Spare - 1 pc
- E** Split Washer - 4 pcs
Spare - 1 pc
- F** Flat Washer - 4 pcs
Spare - 1 pc
- G** Allen wrench M4 - 1pc
Spare - 1pc
- H** Allen wrench M5 - 1pc

NOTE: WE INCLUDE SPARE HARDWARE IN CASE DAMAGE OCCURS DURING ASSEMBLY.

Step 1

Attach side rails (1) to the headboard and footboard. For assembly, follow the assembly instructions included with your headboard and footboard.



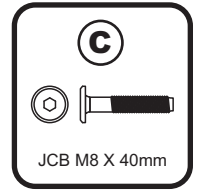
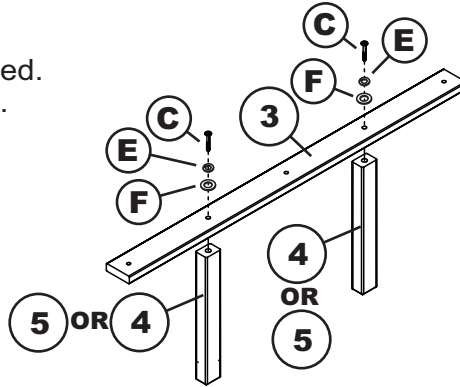
KING

Step 2

Attach support legs (4) or (5) to support rail (3) as shown below. Using JCB M8 (C) split and flat washer (E)(F) tighten with Allen wrench M5 (H). Repeat the other.

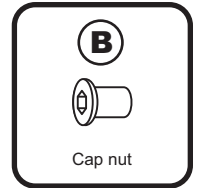
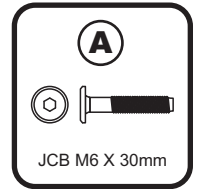
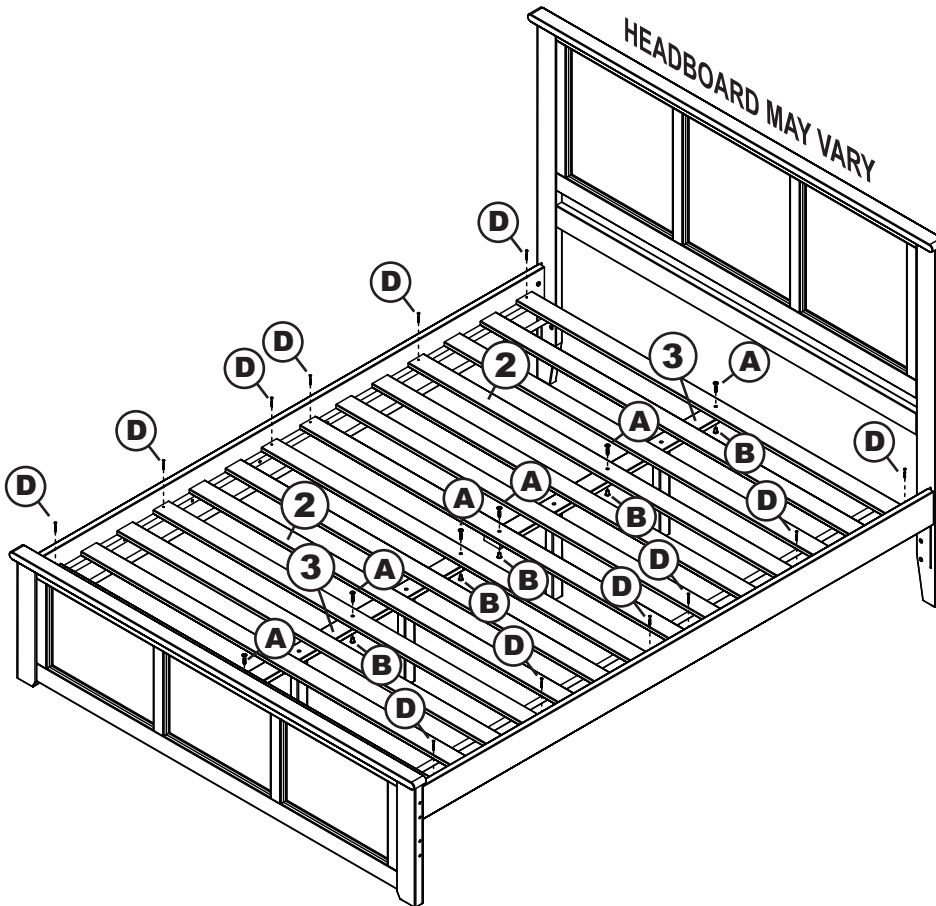
NOTE :

- Using P Support Leg for Platform Bed.
- Using L Support Leg for Lower Bed.



Step 3

Attach support rail (3) to the slat kit (2) as shown below. Using JCB M6 X 30mm (A) and cap nut (B). Tighten with Allen wrench M4 (G). Using wood screw (D) tighten with Phillips head screwdriver. (Customer supplied)



Congratulations!

Your bed is now ready for use.

We recommend that you periodically recheck that all screws are tight to ensure lasting safety.

BED WITH MATCHING FOOTBOARD

ASSEMBLY INSTRUCTIONS

Before assembling your bed, please read through these instructions carefully and familiarize yourself with the different parts.

ATTENTION! If you receive a damaged or defective item, please contact affurnishings.



Instructions apply for bed sizes
QUEEN > KING

PARTS LIST

- 1 HEADBOARD PANEL 1 PC
- 2 LEFT LEG 1 PC
- 3 RIGHT LEG 1 PC
- 4 PILLOW STOP 1 PC
- 5 FOOTBOARD 1 PC

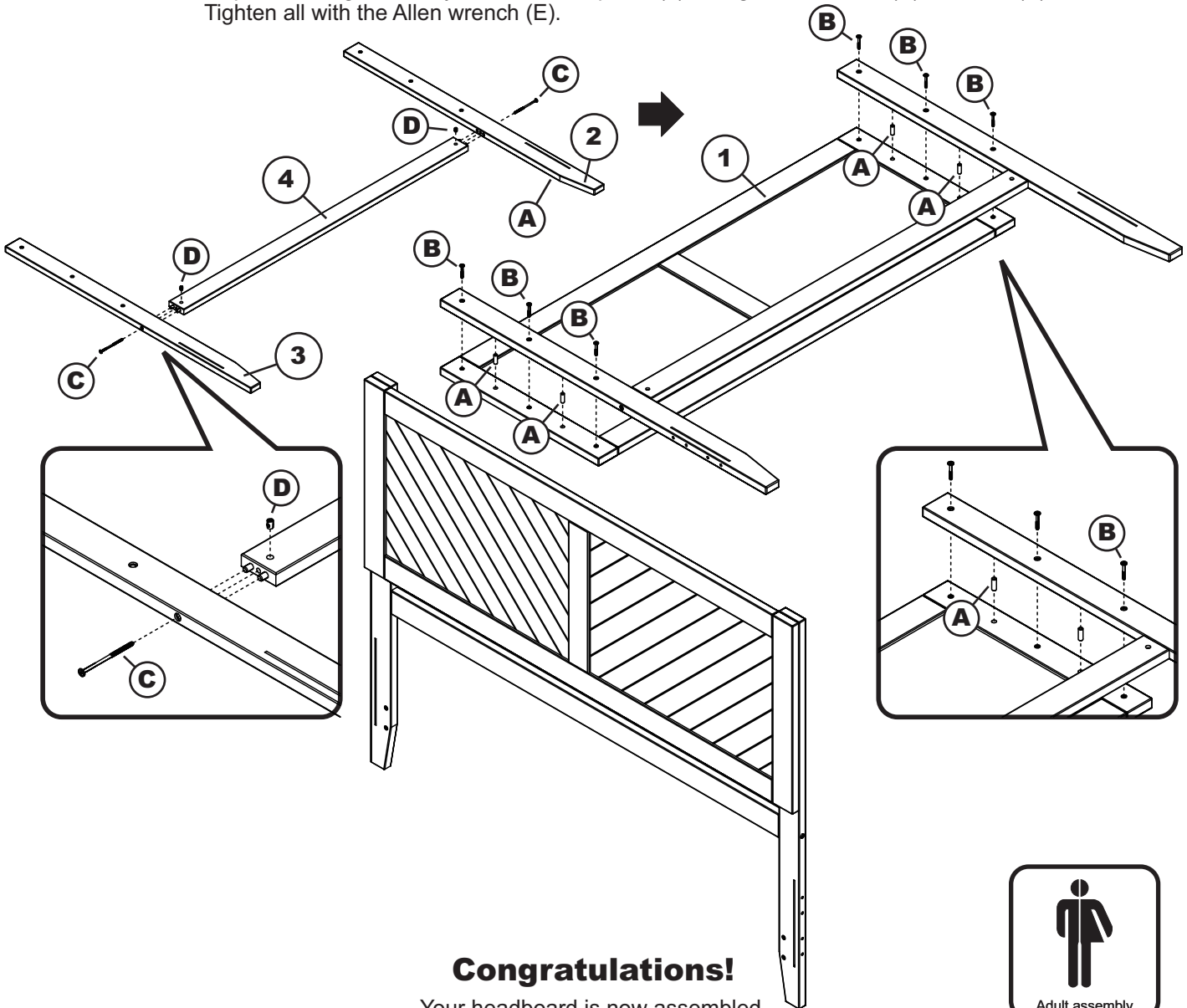
HARDWARE

- A Wooden dowel - 4 pcs
Spare - 1 pc
- B JCB M6 X 40mm (1 1/2") - 6 pcs
Spare - 1 pc
- C JCB M6 X 110mm (4 3/8") - 2 pcs
Spare - 1 pc
- D Barrel Nut - 2 pcs
- E Allen wrench - 1 pc
Spare - 1 pc

NOTE: WE INCLUDE SPARE HARDWARE IN CASE DAMAGE OCCURS DURING ASSEMBLY.

Step 1

Attach the legs (2) and (3) to pillow stop (4), using JCB (C) and barrel nut (D). Do not tighten at this step. Attach leg assembly to headboard panel (1), using wood dowels (A) and JCB (B). Tighten all with the Allen wrench (E).



Congratulations!

Your headboard is now assembled.

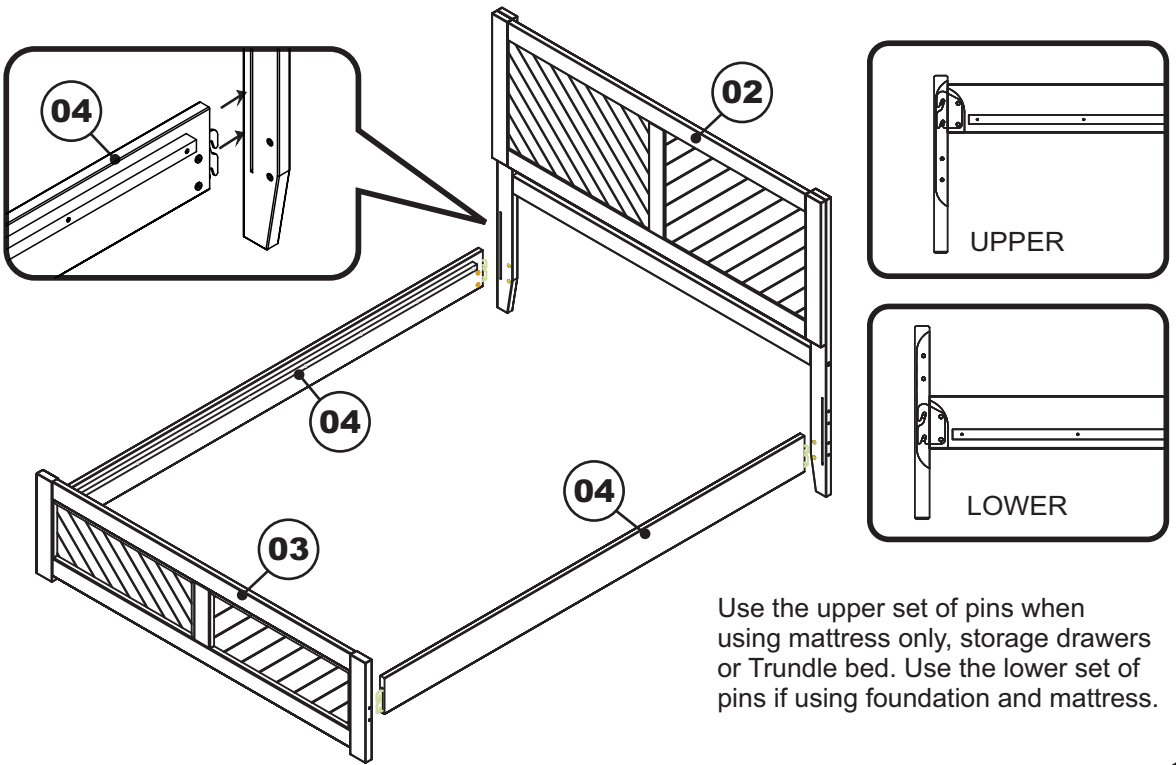
To ensure lasting safety, we recommend that you periodically check that all screws are tight and all parts are secure.



- 01 HARDWARE
 - 02 HEADBOARD
 - 03 FOOTBOARD
 - 04 SIDE RAILS
 - 05 SLAT KIT
- BOX 1
- BOX 2



Step 1 Attach the side rails (04) to the headboard (02) and footboard (03) using the bed hook as shown below.



Use the upper set of pins when using mattress only, storage drawers or Trundle bed. Use the lower set of pins if using foundation and mattress.

Step 2 Attach slat kit (05) onto the bed. For assembly of slat kit, follow the assembly instructions included with bed frame.

