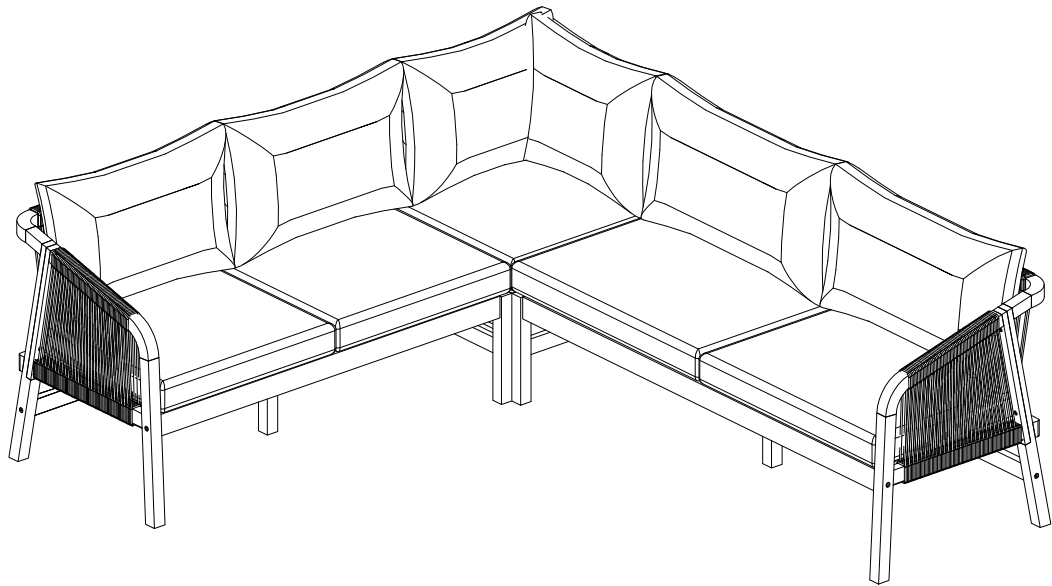


Instruction Manual

238x208cm Wooden Corner Sofa, Brushed Light Acacia



CONTENTS

Safety and care advice	1
Components	2
Assembly instructions	4
Copyright	8

⚠ SAFETY AND CARE ADVICE ⚠

PLEASE READ THESE INSTRUCTIONS CAREFULLY AND KEEP FOR FUTURE REFERENCE

- **Warning:** Please lift with care.
- Check you have all the components and tools listed on pages 2 and 3.
- Remove all fittings from the plastic bags and separate them into their groups.
- Keep children and animals away from the work area, small parts could choke if swallowed.
- Make sure you have enough space to lay out the parts before starting.
- Do not stand or put weight on the product, this could cause damage.
- Assemble the item as close to its final position (in the same room) as possible.

- Assemble on a soft level surface to avoid damaging the unit or your floor (use opened out unit carton).



- We do not recommend the use of power drill/drivers **for inserting screws**, as this could damage the unit. Only use hand screwdrivers.
- Dispose of all packaging carefully and responsibly.

CARE AND MAINTENANCE

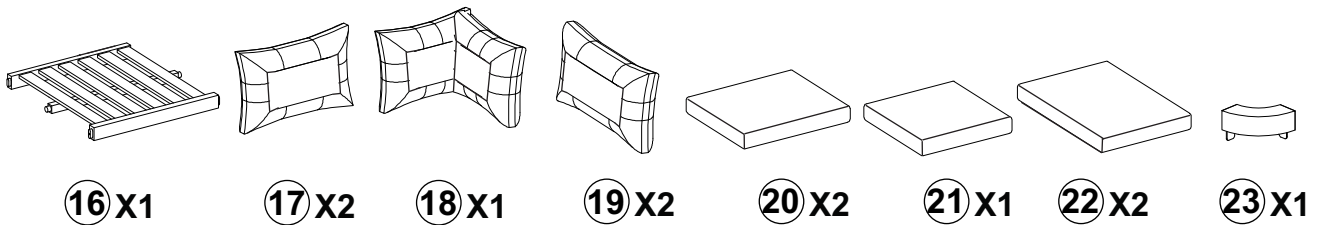
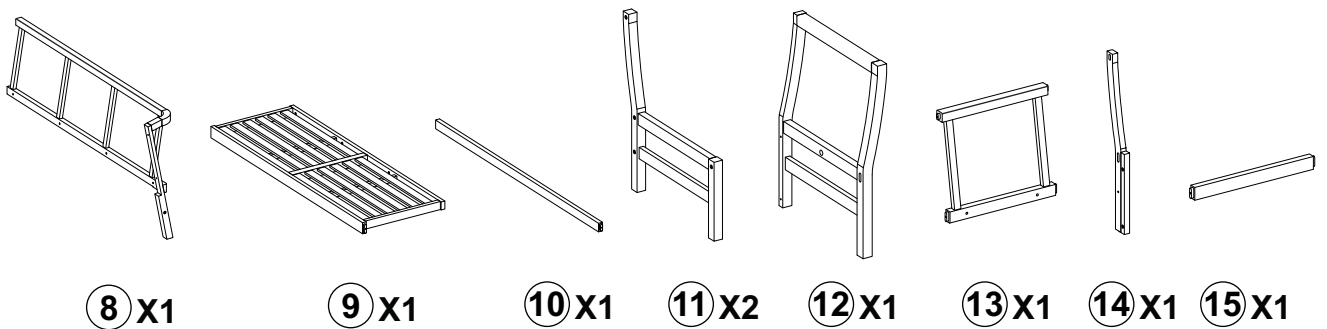
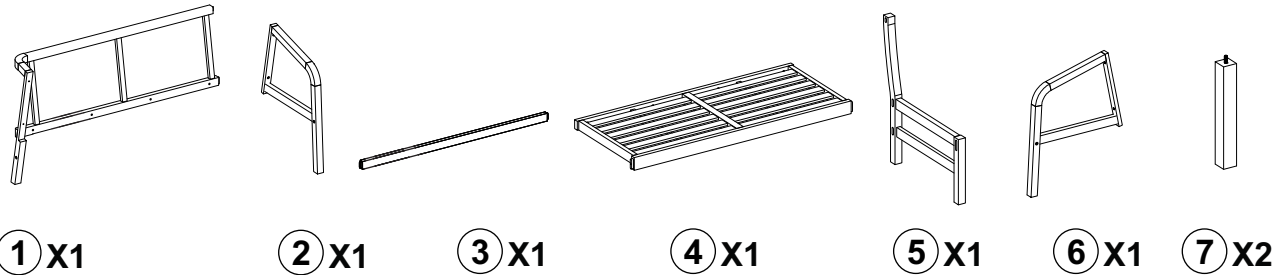
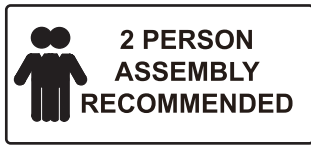
- Only clean using a damp cloth and mild detergent, do not use bleach or abrasive cleaners.
- From time to time check that there are no loose screws on this unit.

- This product should not be discarded with household waste. Take to your local authority waste disposal center.

Note *If required the next page can be cut out and used as reference throughout the assembly. Keep this page with these instructions for future reference.*

COMPONENTS

Please check you have all the panels listed below:

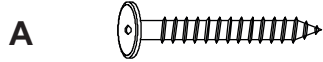


1. Left /Back Frame	x 1	13. Corner / Back Frame	x 1
2. Left / Arm Frame	x 1	14. Corner /Vertical Back Bars	x 1
3. Left / Back Stretcher	x 1	15. Corner /Back Stretcher	x 1
4. Left /Seat Frame	x 1	16. Corner /Seat Frame	x 1
5. Left /End Frame	x 1	17. Left / Back Cushion	x 2
6. Right /Arm Frame	x 1	18. Corner / Back Cushion	x 1
7. Support Leg	x 2	19. Right / Back Cushion	x 2
8. Right /Back Frame	x 1	20. Left / Seat Cushion	x 2
9. Right / Seat Frame	x 1	21. Corner / Seat Cushion	x 1
10. Right /Back Stretcher	x 1	22. Right /Seat Cushion	x 2
11. Right/End Frame	x 2	23. Corner /Connection Block	x 1
12. Corner / Back Frame	x 1		



COMPONENTS

Please check you have all the fittings listed below:



Screw ($\Phi 6 \times 70 \text{mm}$) x 20 (+2)



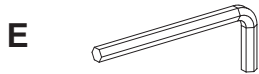
Bolt ($\Phi 6 \times 50 \text{mm}$) x 12 (+2)



Bolt ($\Phi 6 \times 30 \text{mm}$) x 4 (+1)



Screw ($\Phi 4 \times 15 \text{mm}$) x 4 (+1)



Allen key x 2

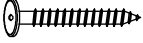




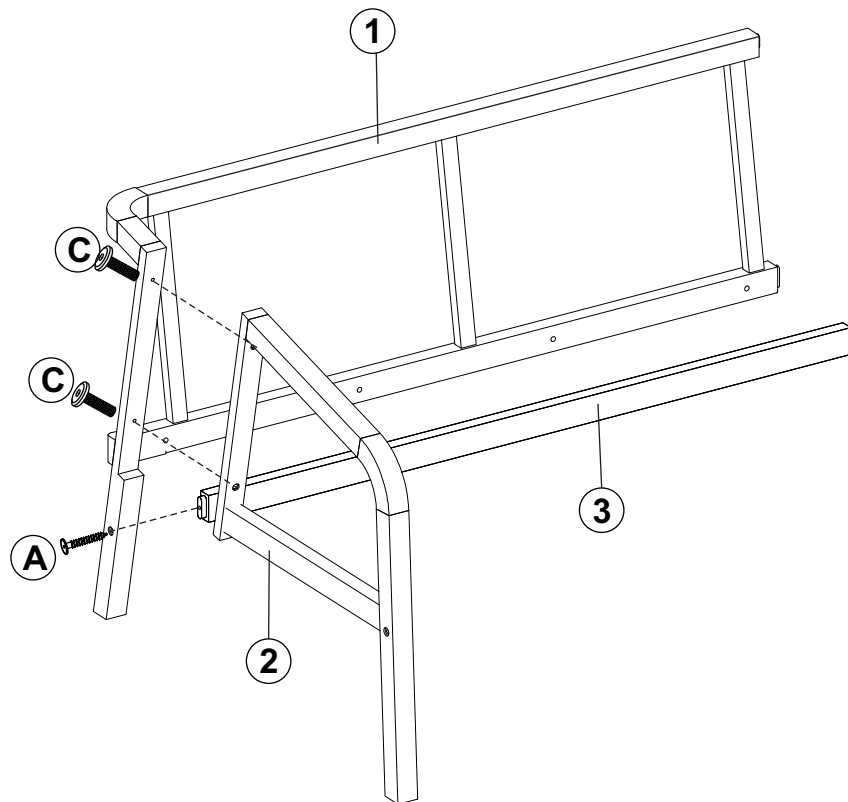
Hole Cover x 4 (+1)



ASSEMBLY INSTRUCTIONS

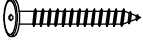


Step 1

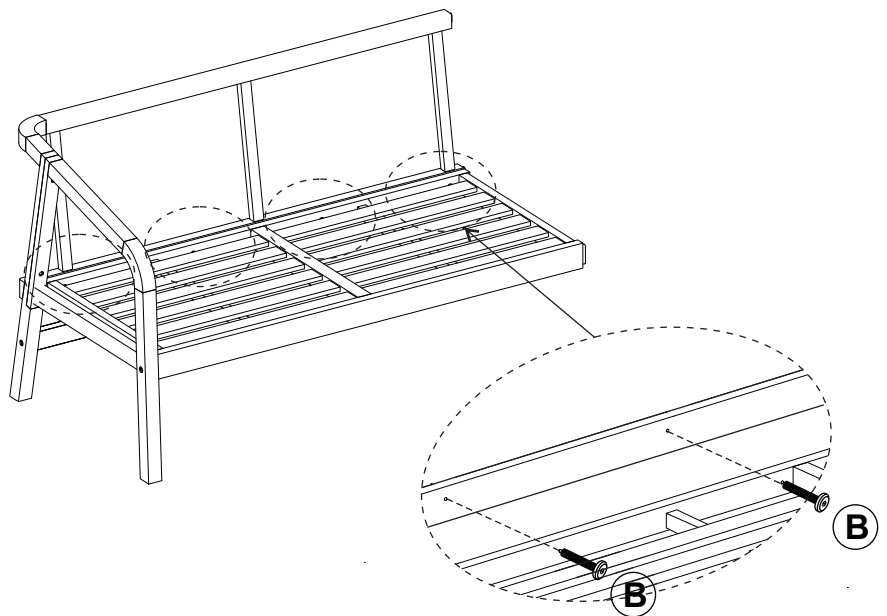
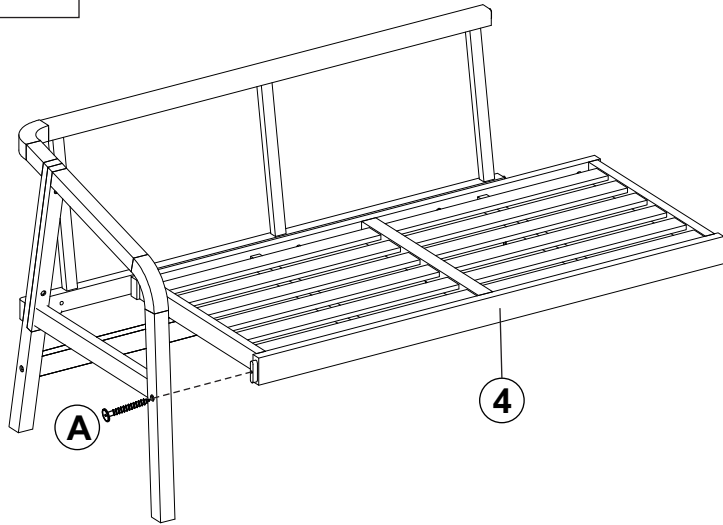
A		1	
C		2	
E		1	



ASSEMBLY INSTRUCTIONS

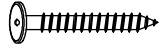

Step 2

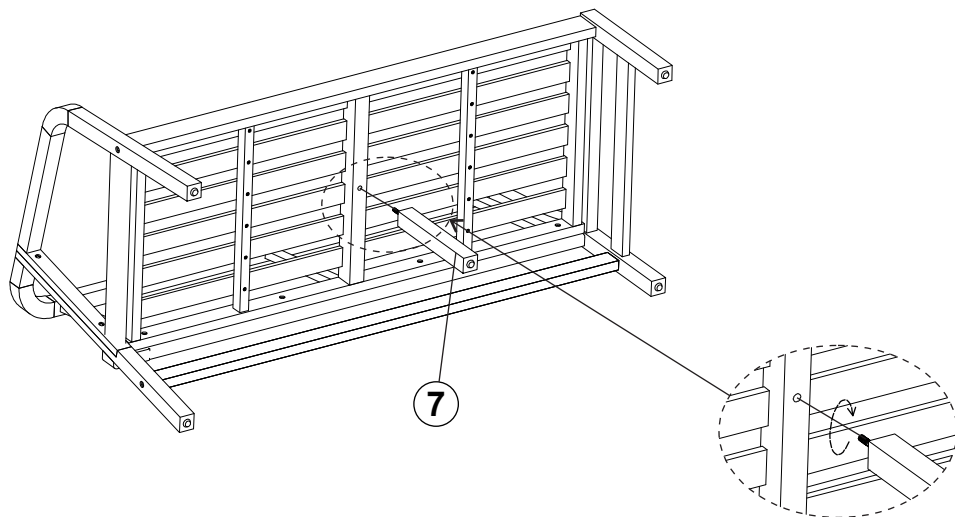
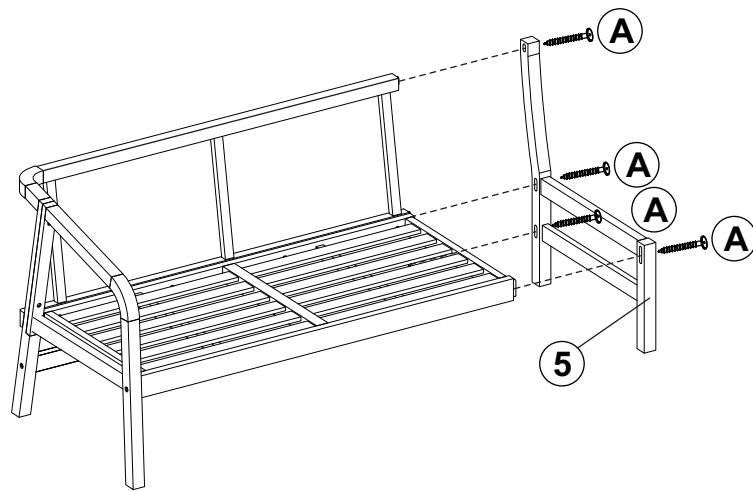
A		1	
B		4	
E		1	



ASSEMBLY INSTRUCTIONS

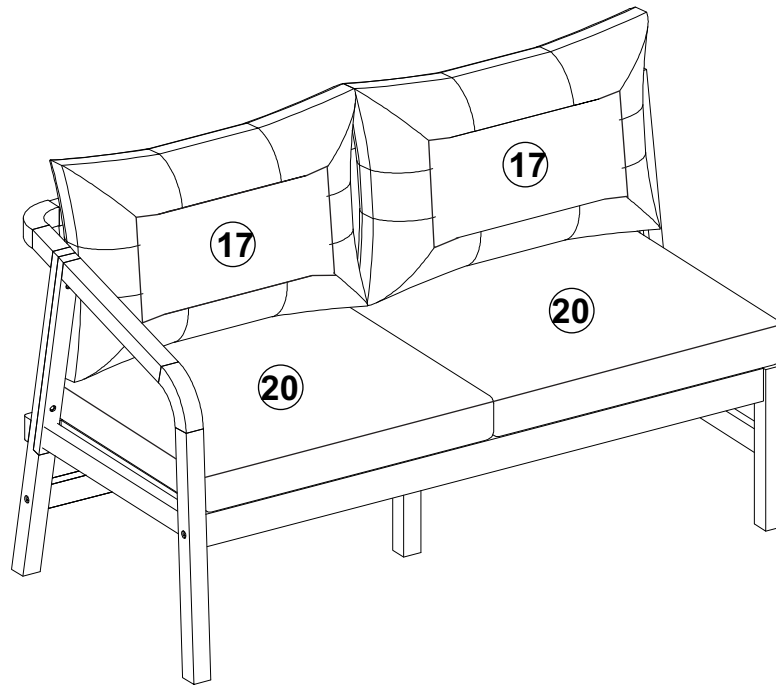
Step 3

A		4	
E		1	



ASSEMBLY INSTRUCTIONS

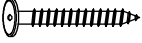


Step 4

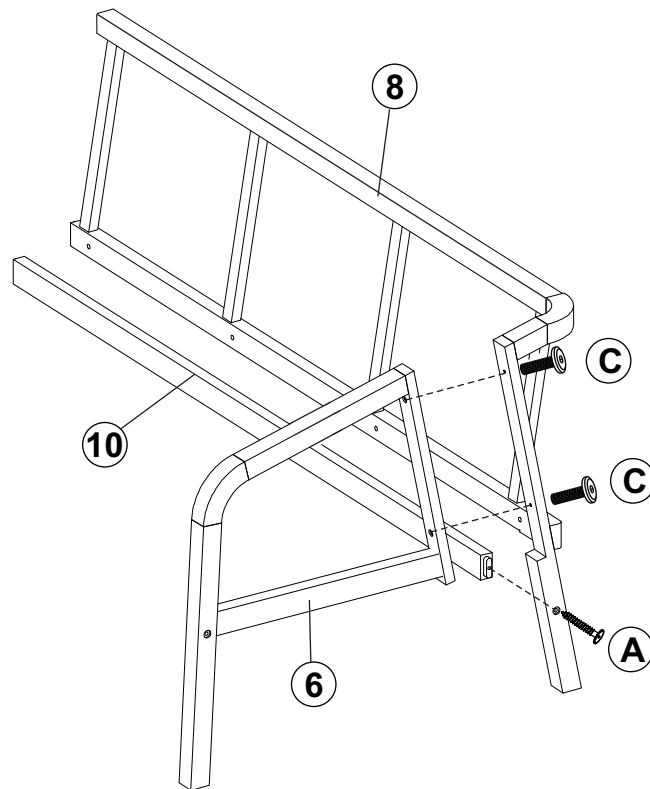


Congratulations! Now you have finished assembling the product.

ASSEMBLY INSTRUCTIONS

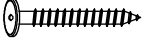


Step 5

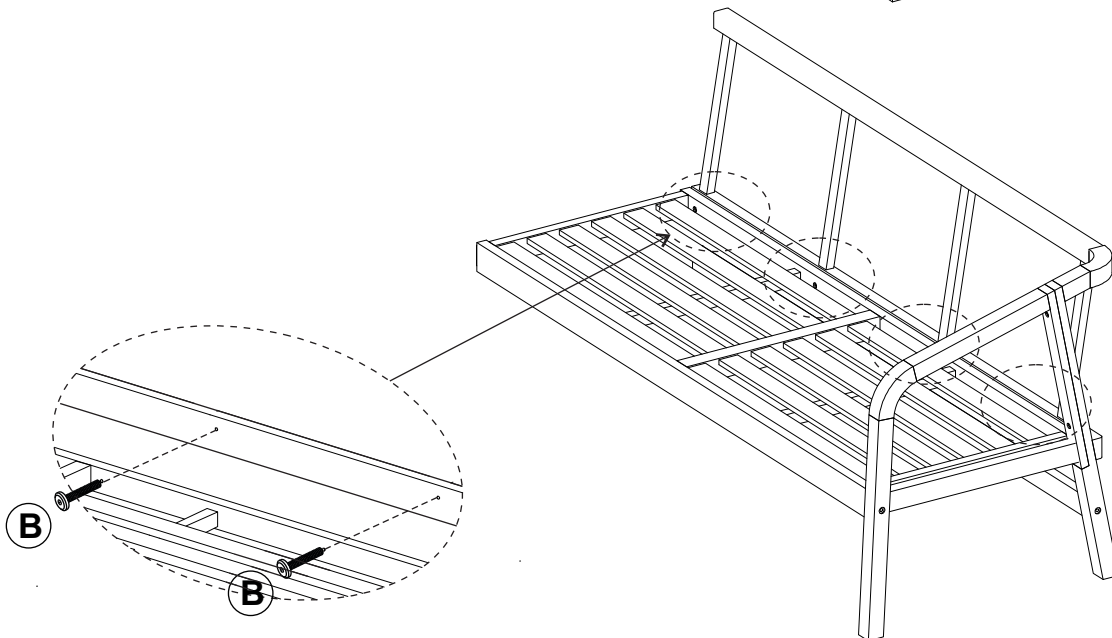
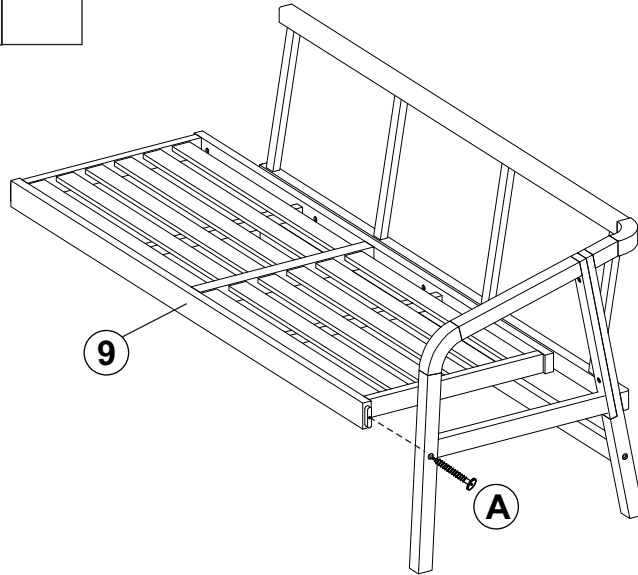
A		1	
C		2	
E		1	



ASSEMBLY INSTRUCTIONS



Step 6

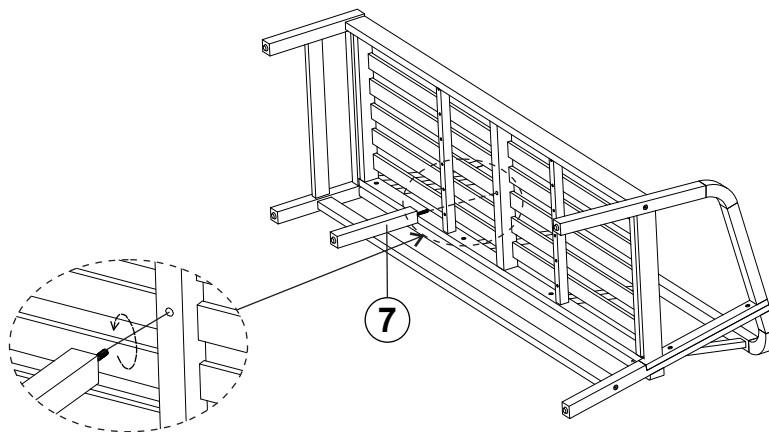
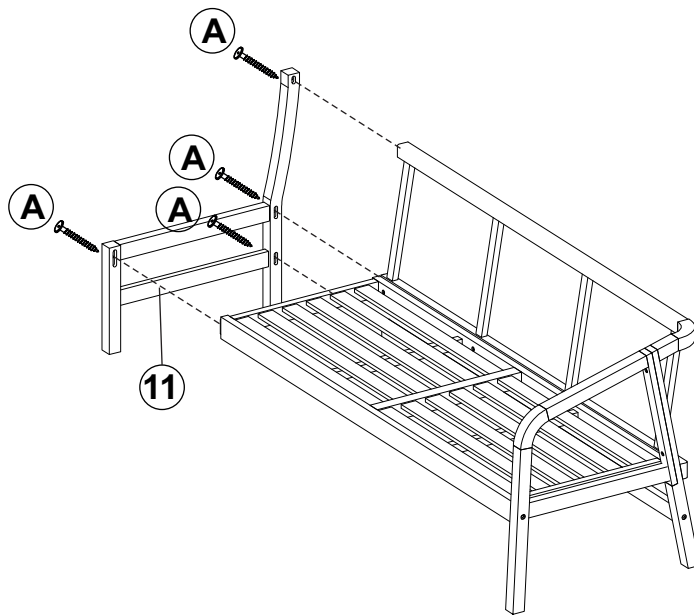
A		1	
B		4	
E		1	



ASSEMBLY INSTRUCTIONS

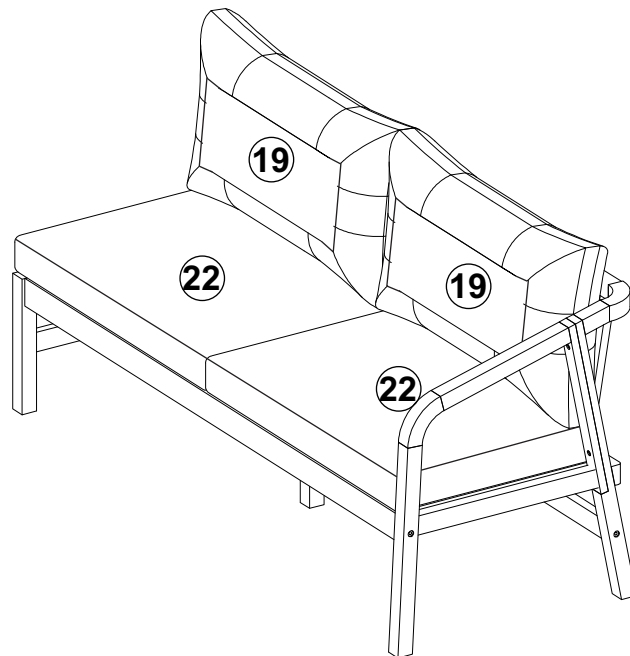
Step 7

A		4	
E		1	



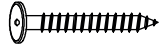

ASSEMBLY INSTRUCTIONS

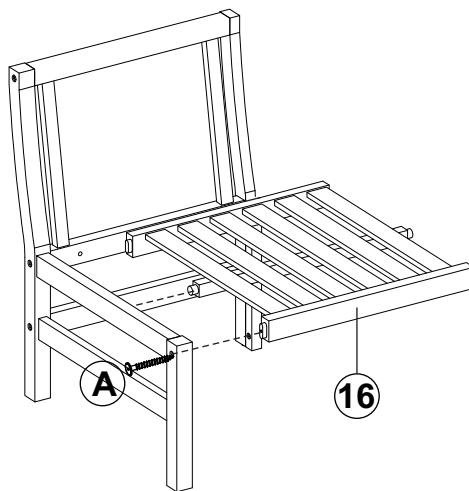
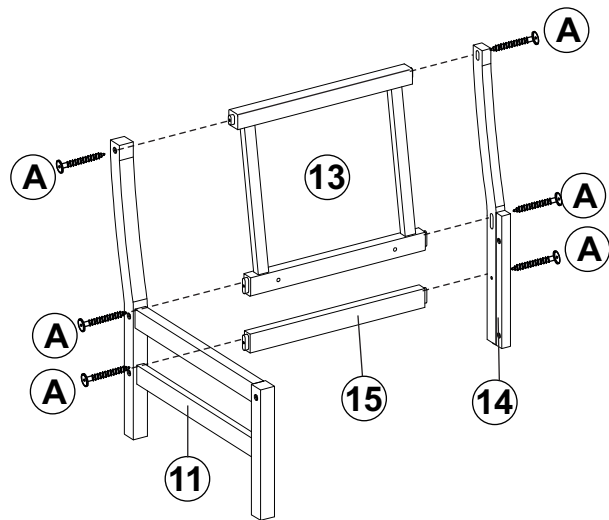
Step 8



ASSEMBLY INSTRUCTIONS



Step 9

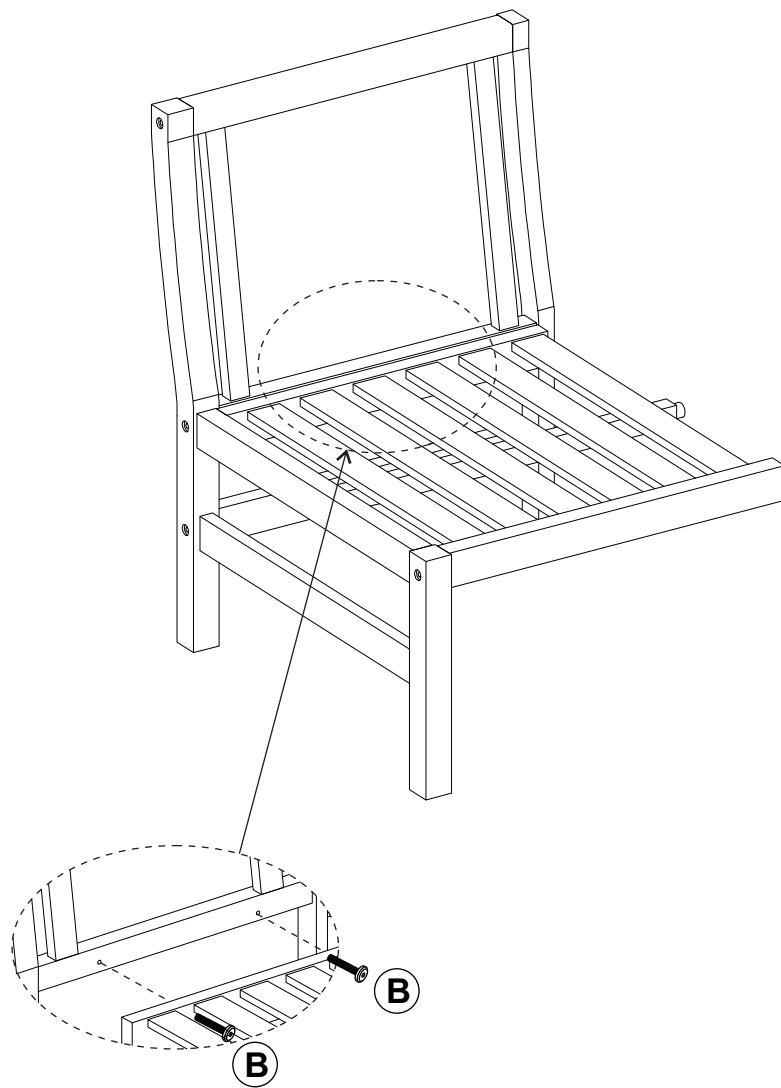
A		7	
E		1	



ASSEMBLY INSTRUCTIONS




Step 10

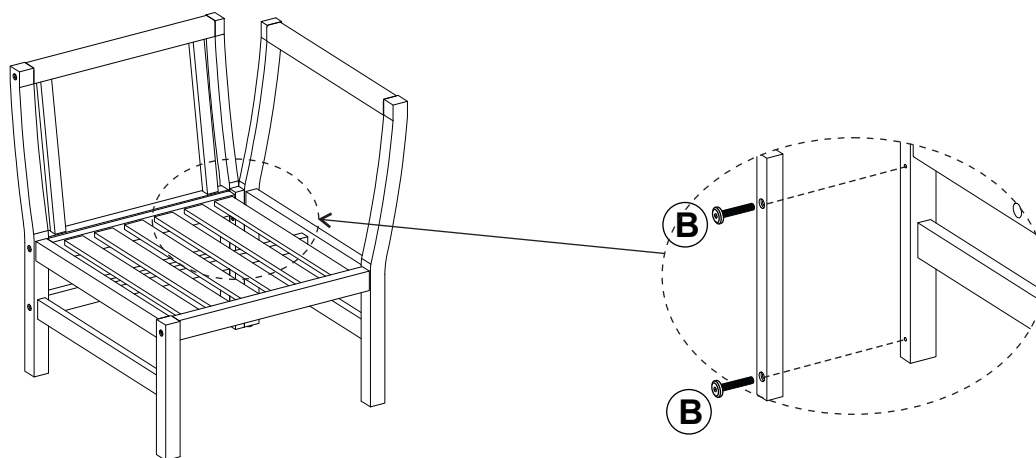
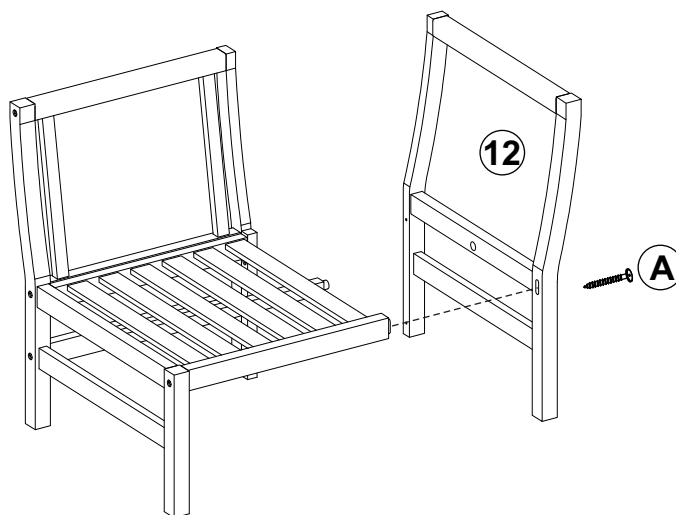
B		2	
E		1	



ASSEMBLY INSTRUCTIONS

Step 11

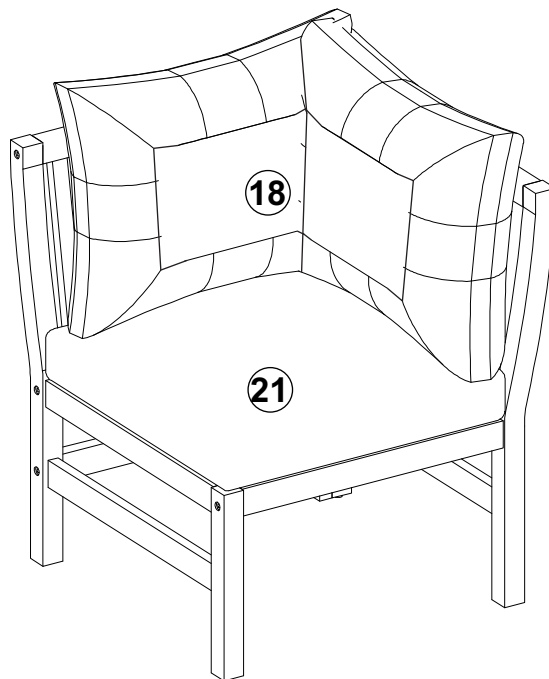
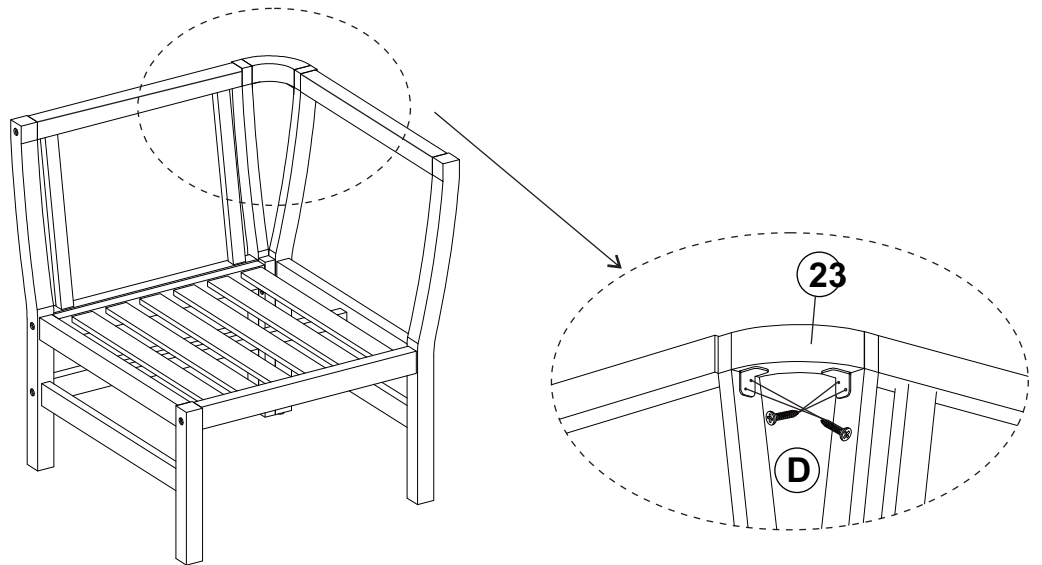
A		1	
B		2	
E		1	



ASSEMBLY INSTRUCTIONS

Step 12

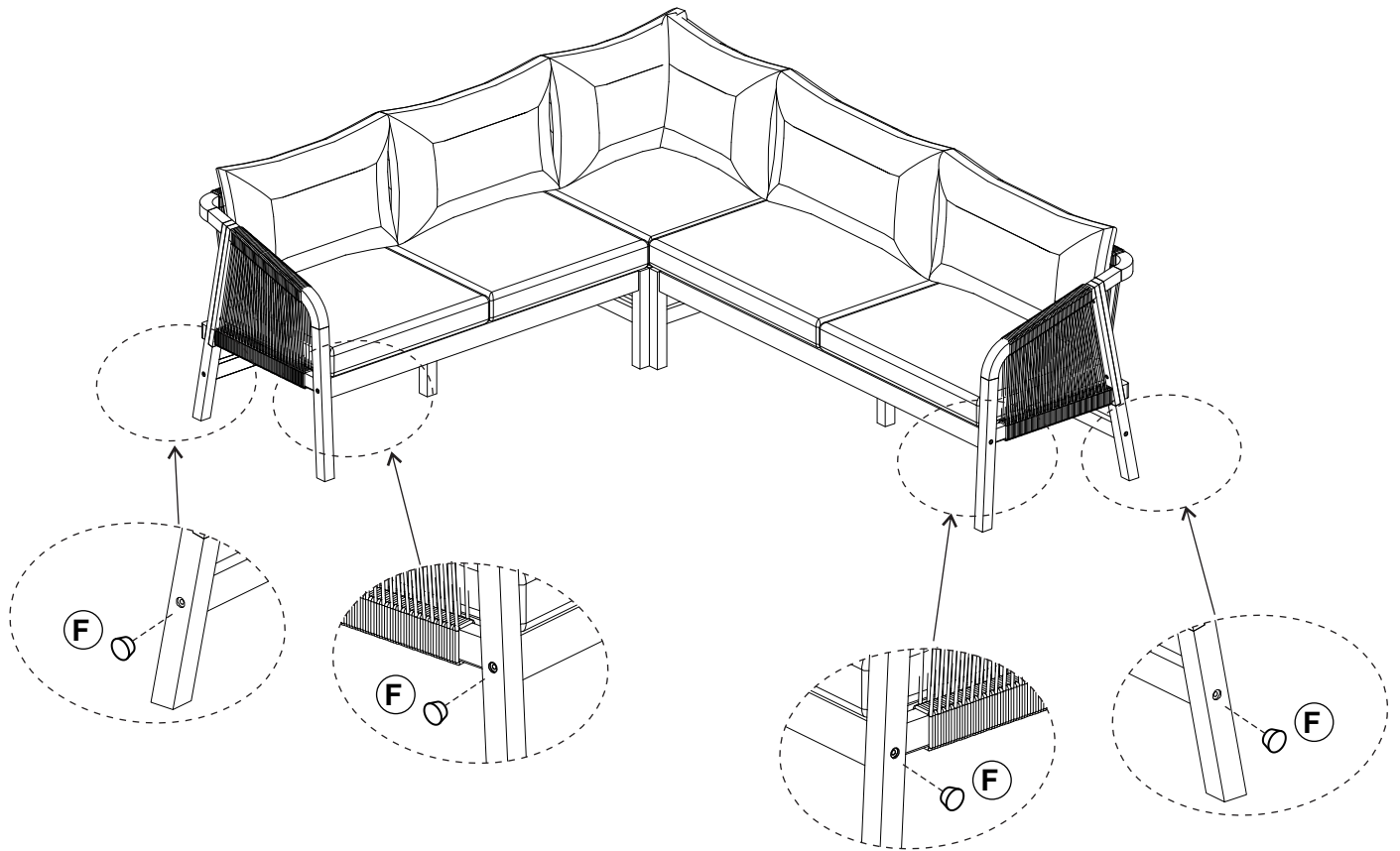
D		4	
---	---	---	--



ASSEMBLY INSTRUCTIONS

Step 13

F		4	
---	---	---	--



IF YOU FIND A DEFECTIVE PART

We fully stock all parts and components. Any defective part can be quickly replaced. Take note of the defective part number in manual and we will arrange a quick replacement.

You can email our team

COPYRIGHT

All material in this instruction manual is copyrighted

Any unauthorised use may violate worldwide copyright, trademark and other laws.

Thank you for purchasing!

