

ASSEMBLY INSTRUCTIONS

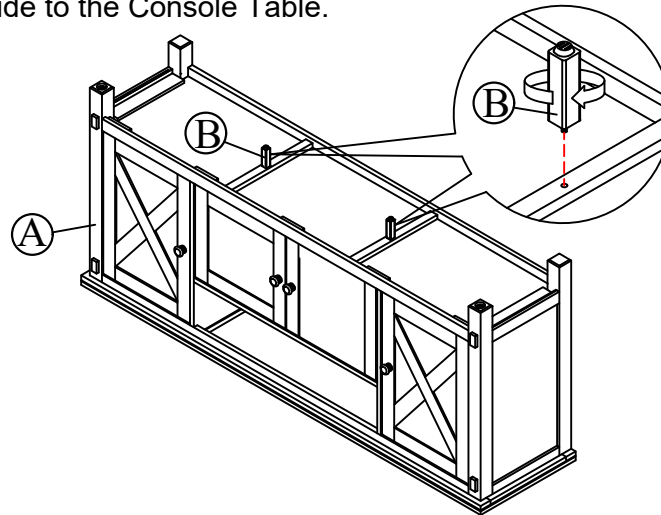
STO-BL-7-71-0 : CONSOLE TABLE

Thank you for purchasing this quality product. Be sure to check all packing material carefully for small parts, which may have come loose inside the carton during shipment. Identify and count all parts and compare with the Hardware List as below:

	No.	Description	Qty
Part List	A	Console Table	1
	B	Leg Support	2

STEP 1

Need 2 adults to flip the console table upside down on a soft, padded surface, Screw in the 2 Leg Support to the underside to the Console Table.



STEP 2

Flip the Console Table right side up. Make sure to twist the levelers on the front bottom legs all the way to the floor for better support.

