

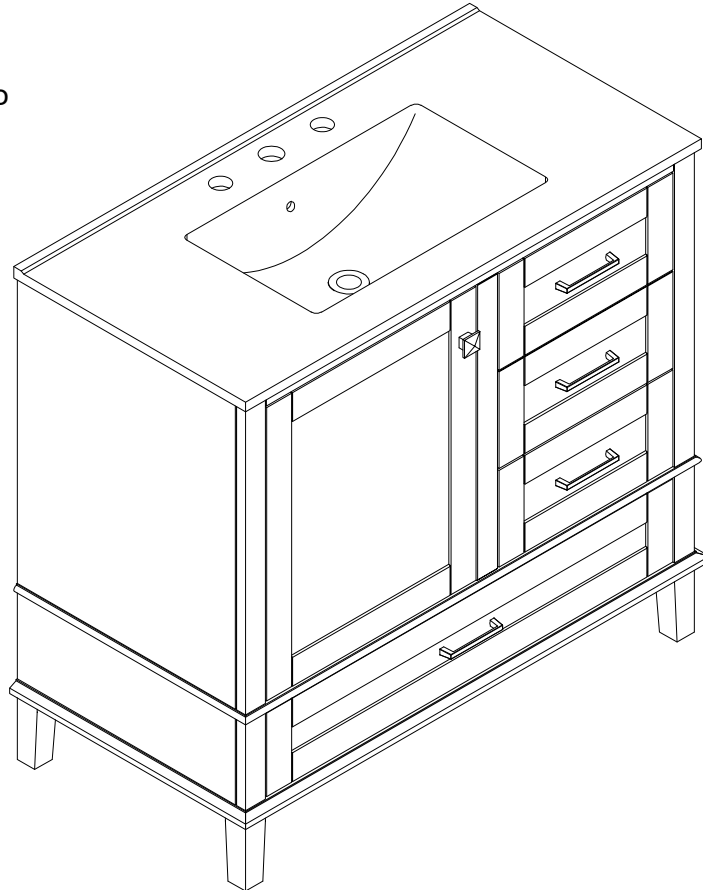
ASSEMBLY INSTRUCTIONS

BATH VANITY-CABINET



For easy assembly, watch our step-by-step video tutorial. Scan the QR code or visit <https://youtu.be/cBX6hFHFSrl>

Installation video

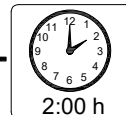
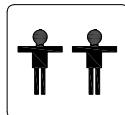
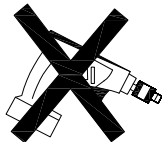


Thank you for purchasing this quality product. Be sure to check all packing material carefully for small parts which may have come loose inside the carton during shipment. Separate, identify and count all parts and hardware.

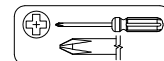
Compare with the parts list to be sure all parts are present.

DO NOT TIGHTEN SCREWS UNTIL COMPLETELY ASSEMBLED

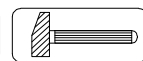
***Use of power tool to assemble this product will invalidate any claim and damage this product making unsafe!!!**
*** Please assemble on a clean soft surface to avoid damage.**



Tools Required



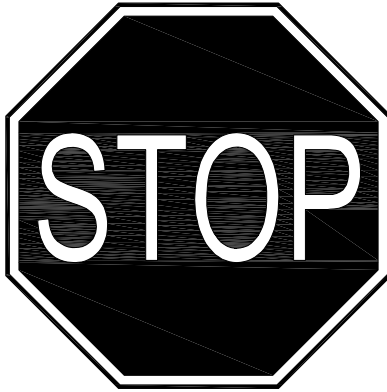
(Not included)



(Not included)

IMPORTANT:
PLEASE READ INSTRUCTION BEFORE STARTING THE ASSEMBLY

PLEASE DO NOT RETURN TO STORE



**Please do not return this product to the retailer!!
We are able to assist you in ANY way**

If you find that you have any trouble with assembly or missing or damaged parts please contact the seller.

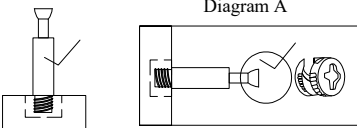
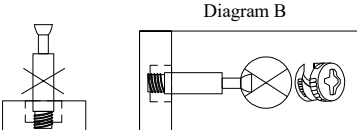
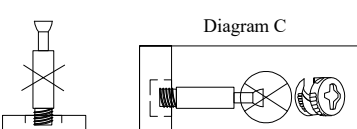
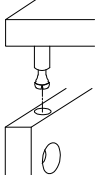
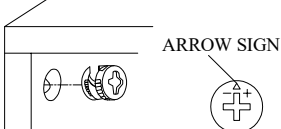
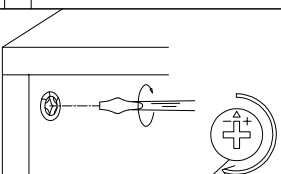
Before Installation

Important- Please read these instructions fully before starting assembly

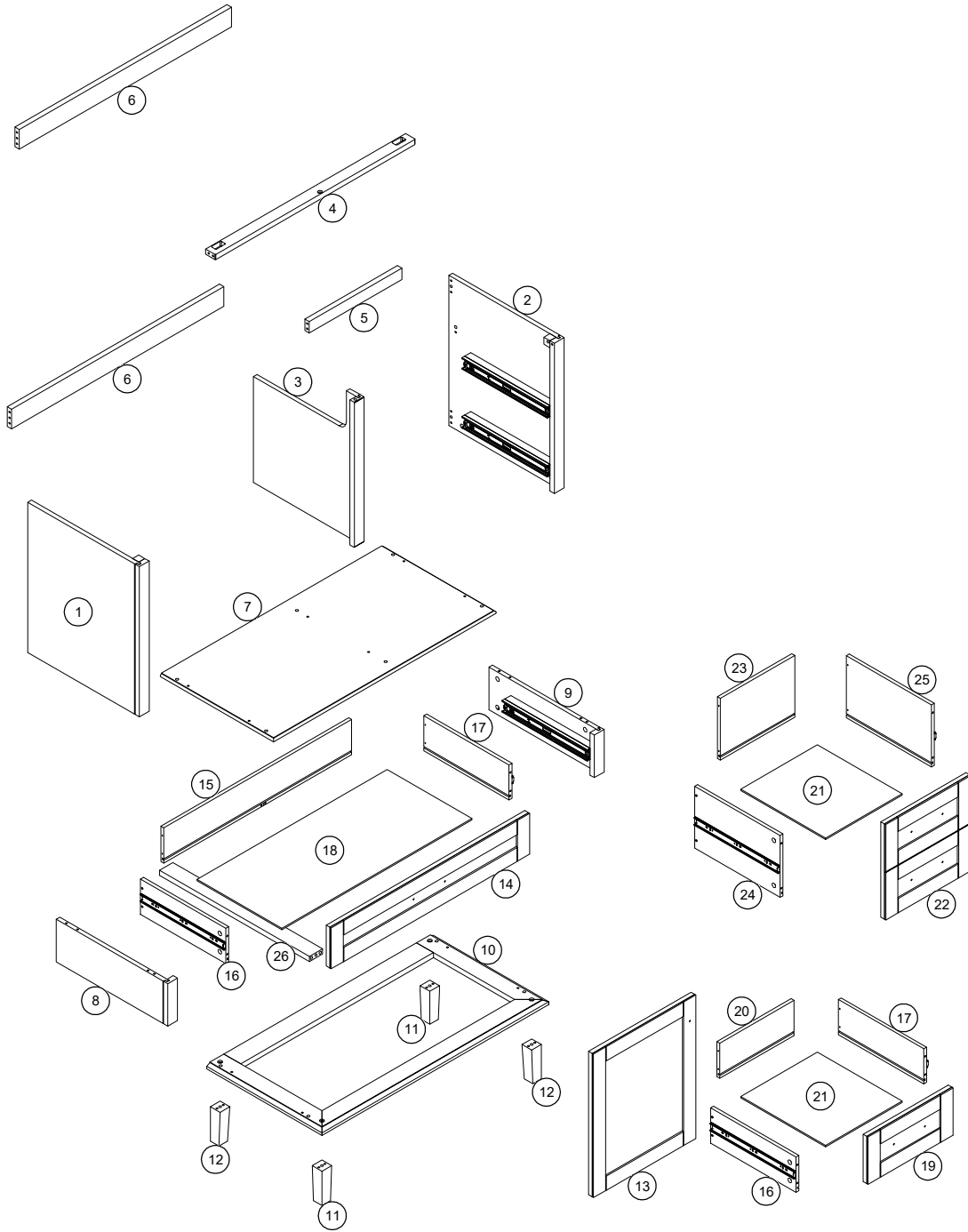
Thank you for purchasing this quality product. Be sure to check all packing materials carefully for small parts, which may have come loose inside the carton during shipment. Identify and count all items according to the PARTS LIST and/or HARDWARE LIST shown below. Check you have all the components and tools listed on the following pages.

- We recommend that you assemble this product with the assistance of another person; this will make the assembly easier, and will help eliminate damage to the product or injury to persons during assembly.
- Please do not over tighten screws or bolts until the assembly is completed.
- Keep children and animal away from the work area, small parts could choke if swallowed.
- Please put all parts on a non-abrasive floor before assembly, and follow the assembly steps to assemble your newly purchased product correctly and efficiently.

Cam Lock Assembly Instructions

	<p>Diagram A</p> <p>Insert Cam Ball into hole as shown in diagram A.</p>
	<p>Diagram B</p> <p>Make sure not to insert the Cam Bolt: Too deep as shown in figure B as this will cause the cam Lock to be misaligned and unable to interlock properly.</p>
	<p>Diagram C</p> <p>Also avoid inserting the Cam Bolt too close to the surface of the hole as shown in figure C, as this will cause the Cam Lock to be too loose, and not interlock properly.</p>
	<p>Connect the panels together.</p>
	<p>ARROW SIGN</p> <p>Insert the Cam Lock so the side opening fits over the head of the Cam Bolt.</p>
	<p>To tighten the Cam Lock, turn it clockwise on half a turn with a flat screwdriver. <i>*Do not use an automatic screwdriver as it may bend or break if too much power is imposed.</i></p>

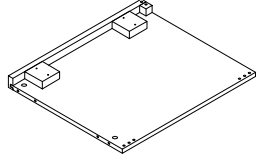
Detail View



Identifying the Hardware-Identify the hardware using the illustrations below.

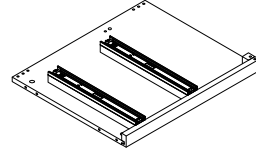
Part Lists

1



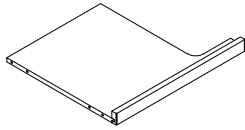
Top Side Panel (L) - 1pc

2



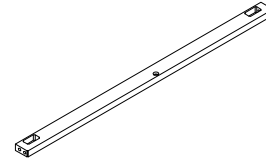
Top Side Panel (R) - 1pc

3



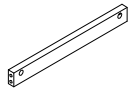
Mid Panel - 1pc

4



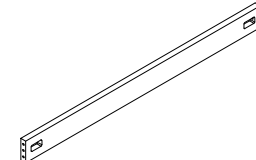
Top Front Cossbar - 1pc

5



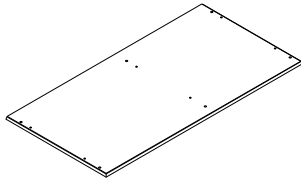
Mid Rear Crosbar - 1pc

6



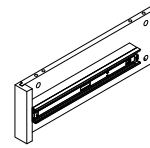
Top + Bottom Rear Crosbar - 2pcs

7



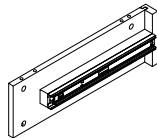
Mid Frame - 1pc

8



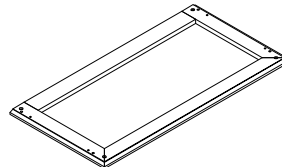
Bottom Side Panel (L) - 1pc

9



Bottom Side Panel (R) - 1pc

10



Bottom Frame - 1pc

11



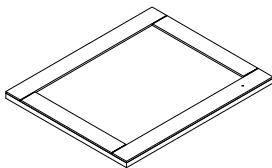
Left Front Leg + Right Back Leg - 2pcs

12



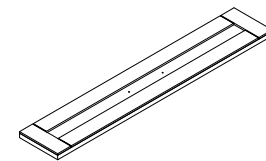
Right Front Leg + Left Back Leg - 2pcs

13



Door Cabinet - 1pc

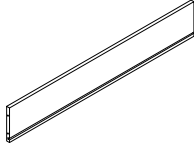
14



Bottom Drawer Face - 1pc

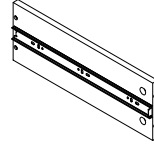
Part Lists

15



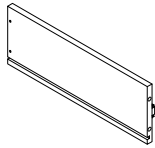
Rear Bottom Drawer panel - 1pc

16



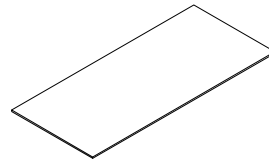
Side Bottom Drawer Panel (L) - 2pcs

17



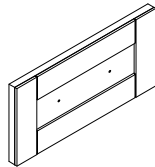
Side Bottom Drawer Panel (R) - 2pcs

18



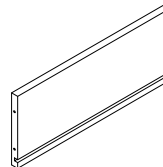
Bottom Panel - 1pc

19



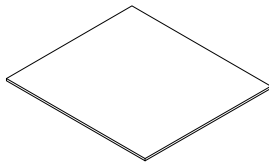
Right Bottom Drawer Face - 1pc

20



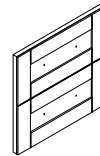
Rear Bottom Drawer panel - 1pc

21



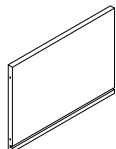
Bottom Panel - 2pcs

22



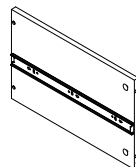
Top Drawer Face - 1pc

23



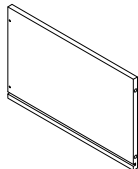
Rear Top Drawer Panel (R) - 1pc

24



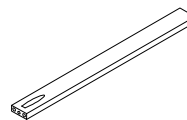
Side Top Drawer Panel (L) - 1pc

25

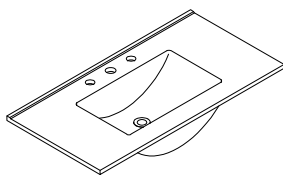


Side Top Drawer Panel (R) - 1pc

26

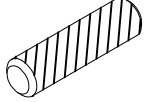
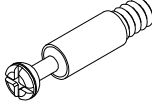
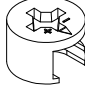
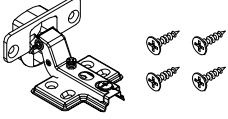
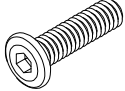
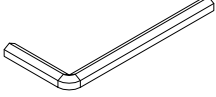
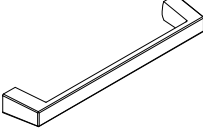

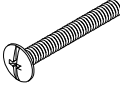
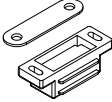
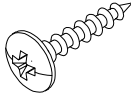
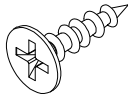

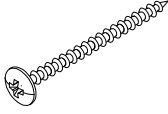
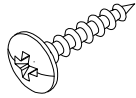
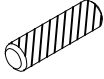
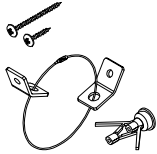


Bottom Jamb Drawer - 1pc



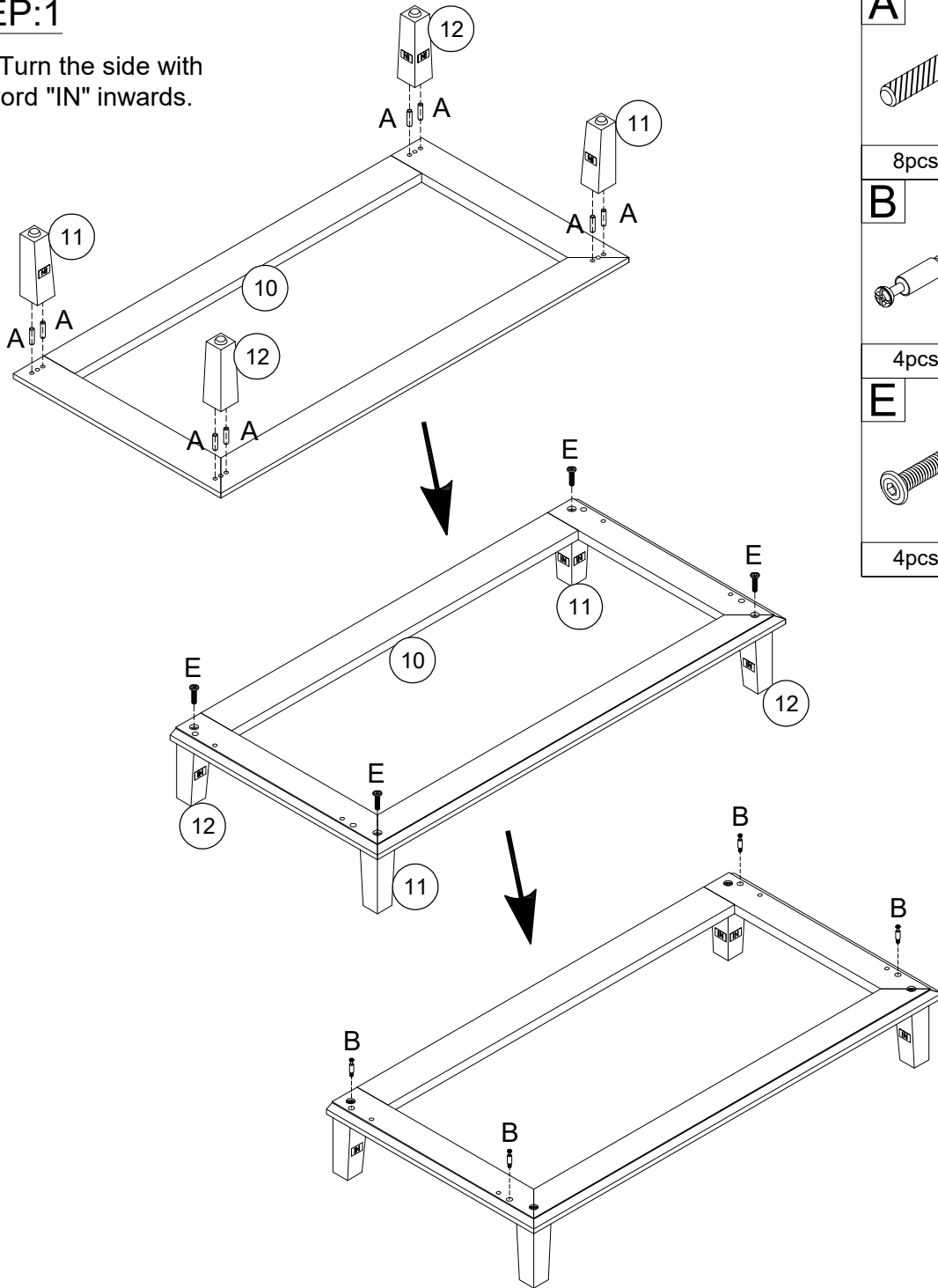
Sink - 1pc

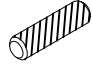
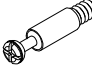

Hardware Lists

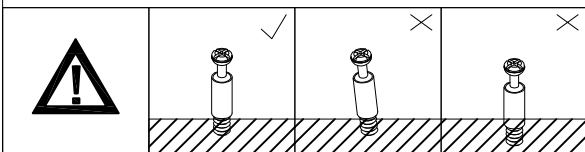
<p>A</p>  <p>8*30mm</p> <p>Wood dowel (34pcs)</p>	<p>B</p>  <p>6*32mm</p> <p>Three in one bolts (28pcs)</p>	<p>C</p>  <p>14.5*9.5mm</p> <p>Three in one locks (28pcs)</p>
<p>D</p>  <p>Damping hinge (2 sets)</p>	<p>E</p>  <p>13xM6*30mm</p> <p>Hex-Head bolt (11pcs)</p>	<p>F</p>  <p>K4mm</p> <p>Allen key (1pc)</p>
<p>G</p>  <p>Handle (4pcs)</p>	<p>H</p>  <p>Handle (1pc)</p>	<p>I</p>  <p>8xM4*20mm</p> <p>Handle screw (9pcs)</p>
<p>J</p>  <p>45*12*1mm 45*17*14mm</p> <p>Plastic Door Magnet (1 set)</p>	<p>K</p>  <p>8x 3.5*15mm</p> <p>Round head screw (2pcs)</p>	<p>L</p>  <p>8x 3.5*15mm</p> <p>Flat head screw (2pcs)</p>
<p>M</p>  <p>10*10mm</p> <p>Plastic Canopy (12pcs)</p>	<p>N</p>  <p>8x 4*35mm</p> <p>Round head screw (12pcs)</p>	<p>O</p>  <p>8x 3.5*20mm</p> <p>Round head screw (2pcs)</p>
<p>P</p>  <p>6*20mm</p> <p>Wood dowel (4pcs)</p>	<p>Q</p>  <p>Anti fall Hardware (2 sets)</p>	

STEP:1

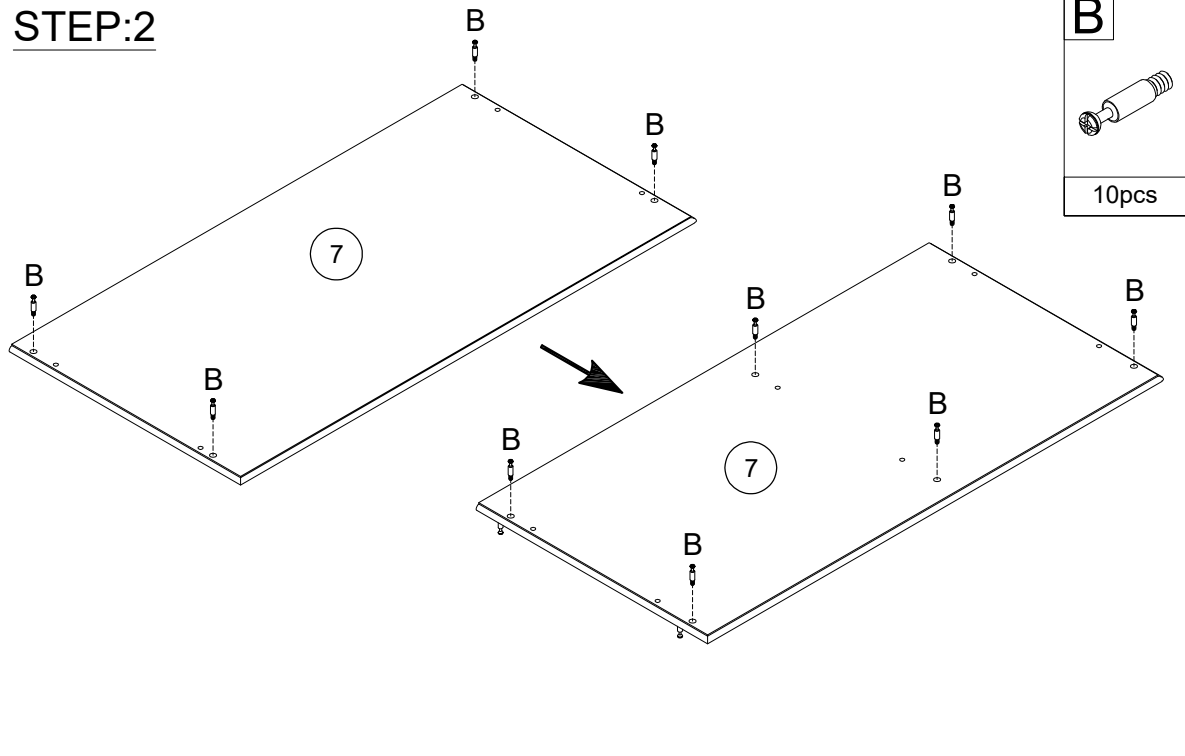
Note: Turn the side with the word "IN" inwards.



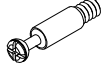
- A**

8pcs
- B**

4pcs
- E**

4pcs



STEP:2

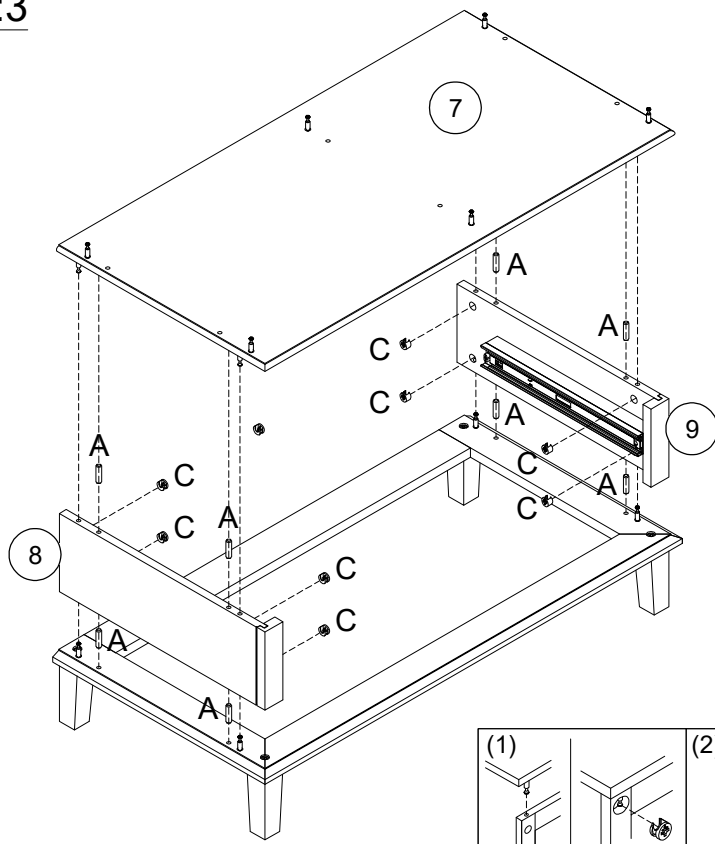


B

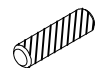


10pcs

STEP:3

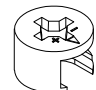


A

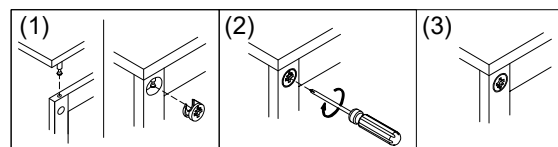


8pcs

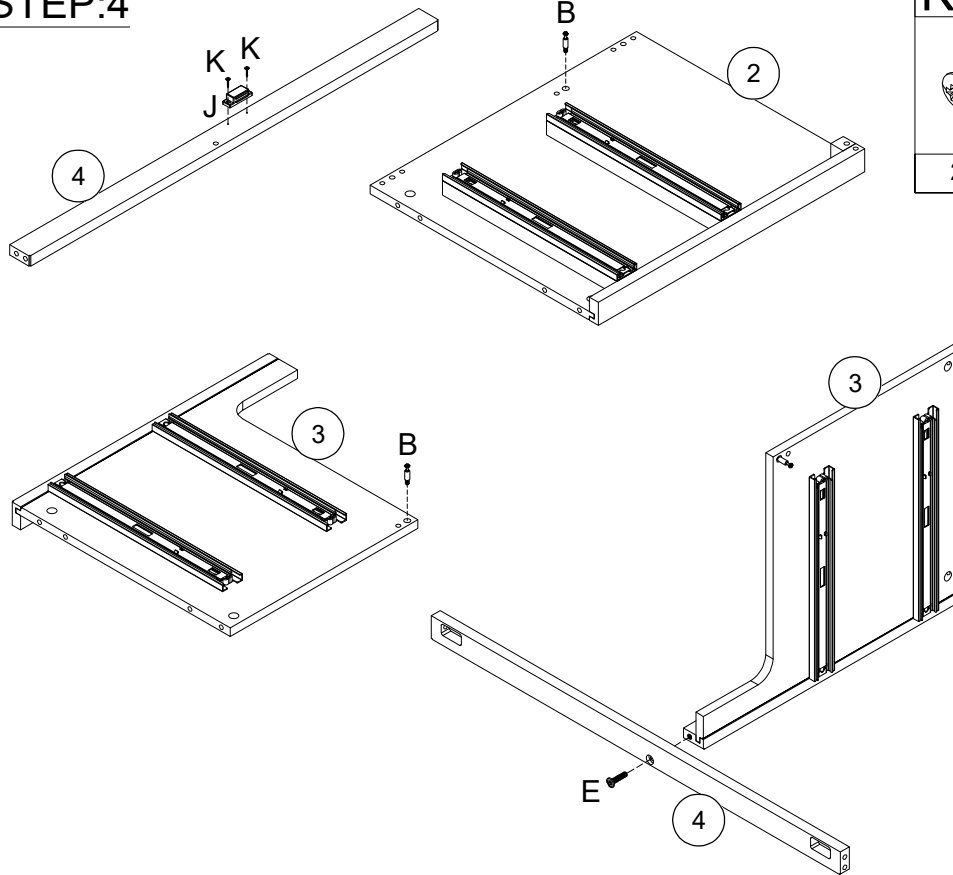
C

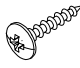
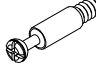
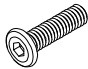
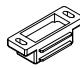


8pcs

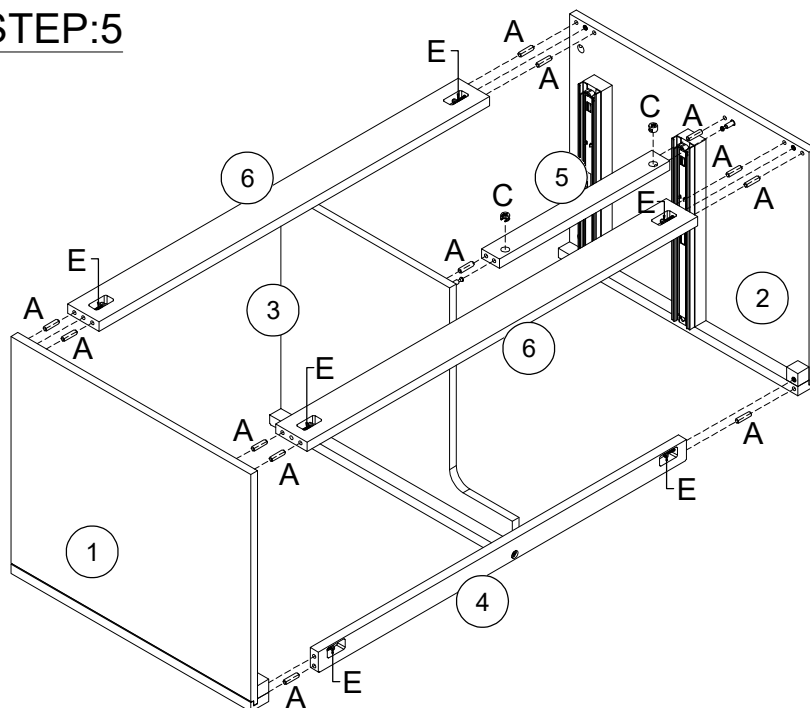


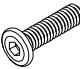
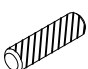
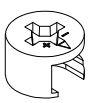
STEP:4



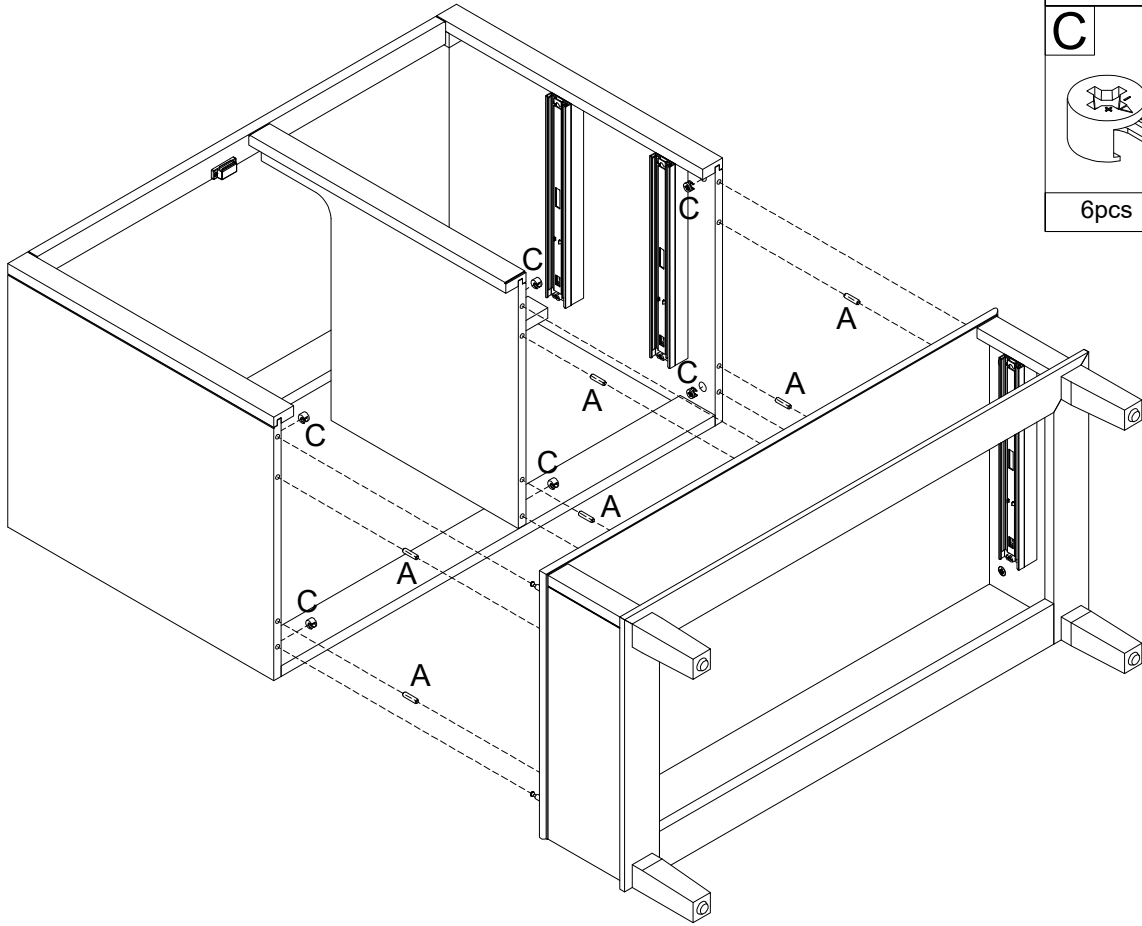
K	B
	
2pcs	2pcs
	E
	
	1pc
	J
	
	1pc

STEP:5



E	A
	
6pcs	12pcs
	C
	
	2pcs

STEP:6



A



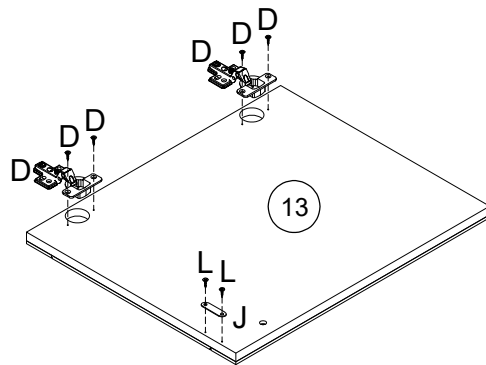
6pcs

C

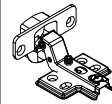


6pcs

STEP:7

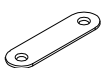


D



2pcs

J



1pc

D



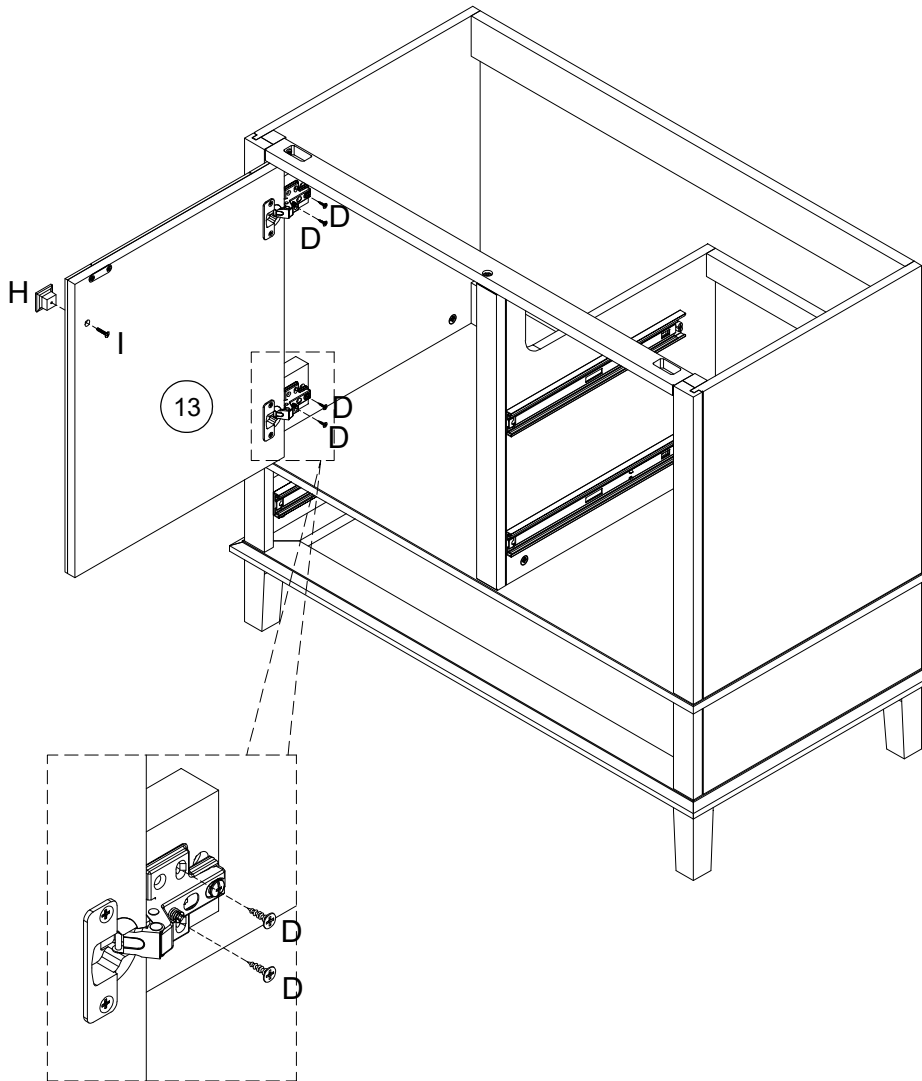
4pcs


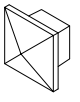

L

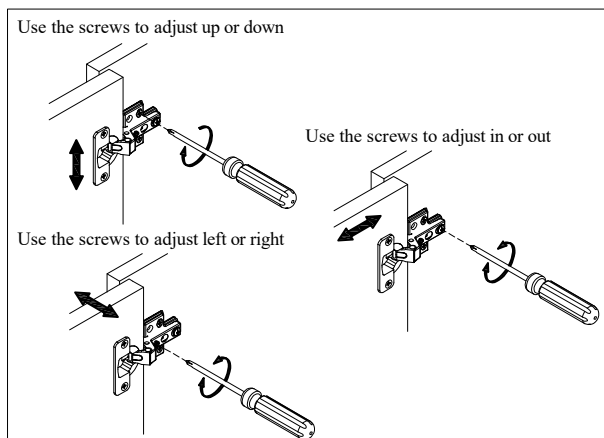


2pcs

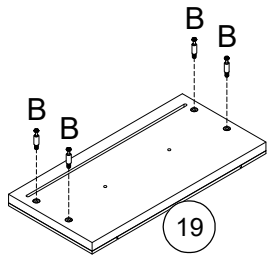
STEP:8



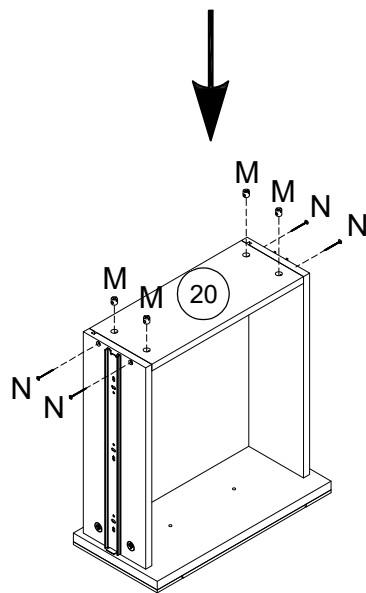
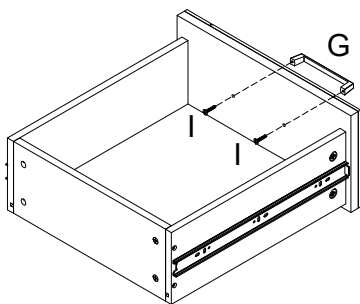
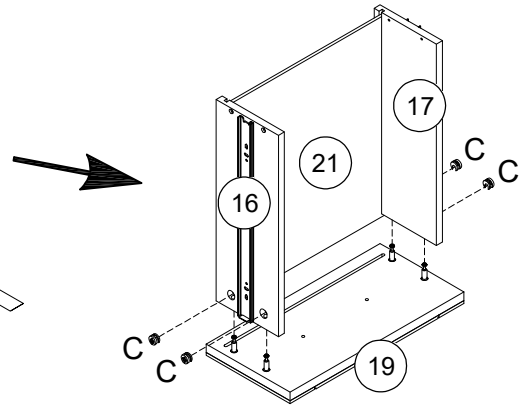
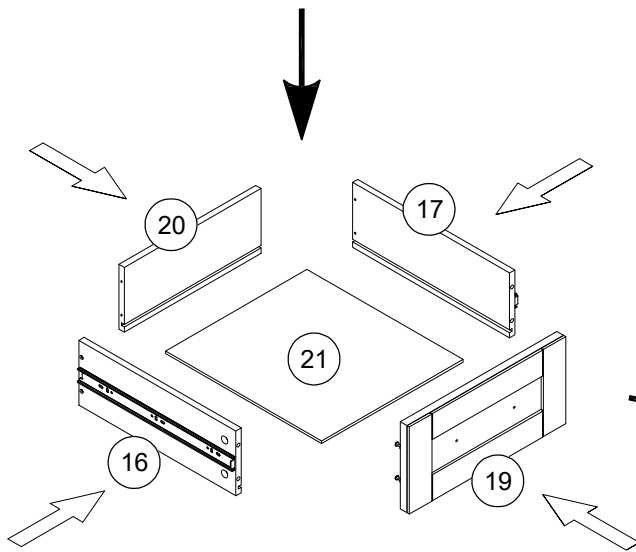
- D**

4pcs
- H**

1pc
- I**

1pc



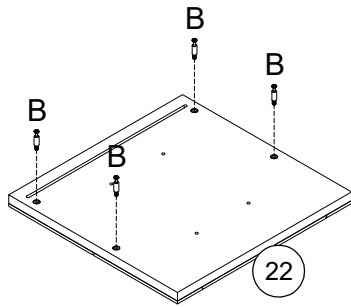
STEP:10


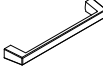
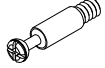


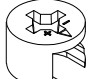


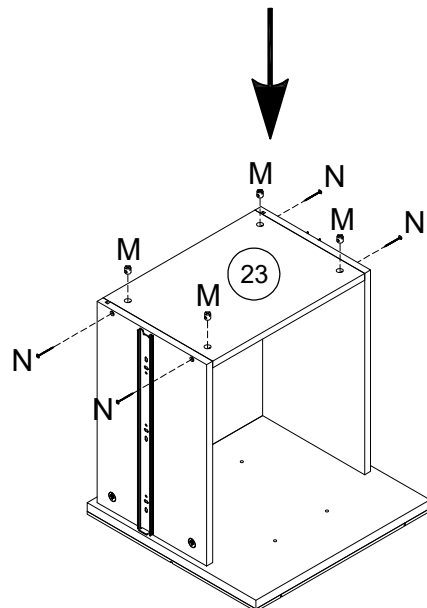
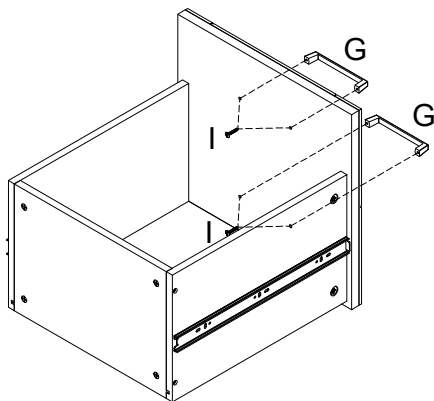
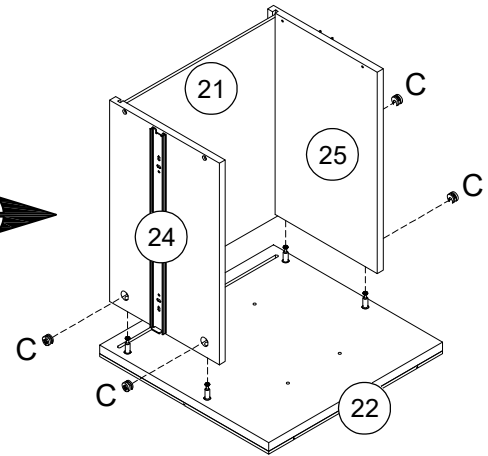
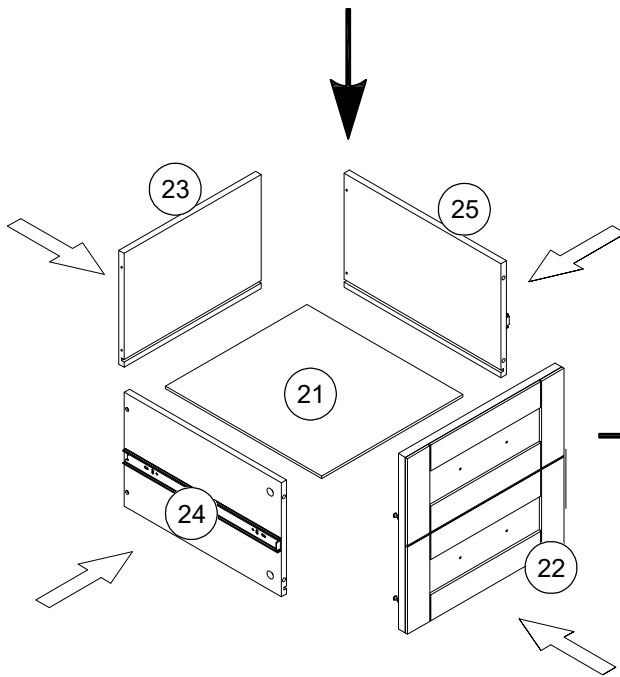
M	G	B
4pcs	1pc	4pcs
N	I	C
4pcs	2pcs	4pcs



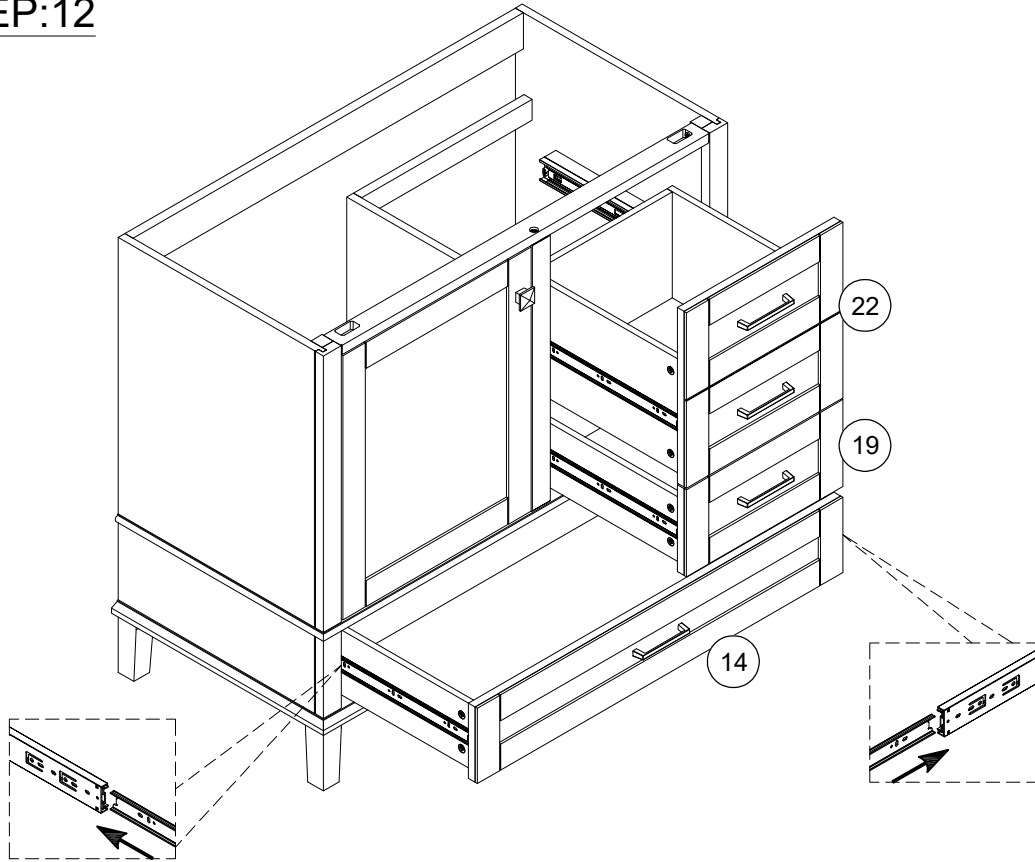
STEP:11



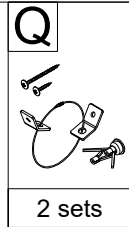
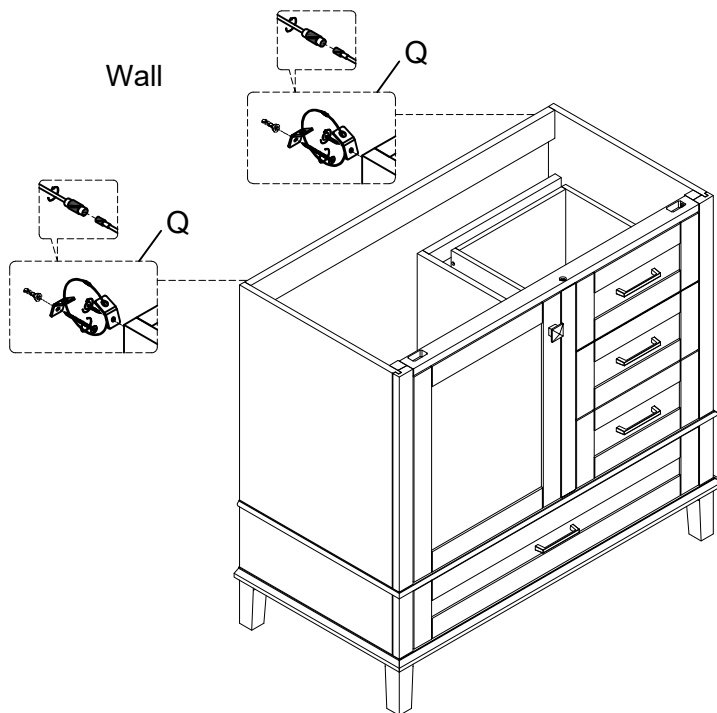
M 	G 	B 
4pcs	2pcs	4pcs
N 	I 	C 
4pcs	4pcs	4pcs



STEP:12

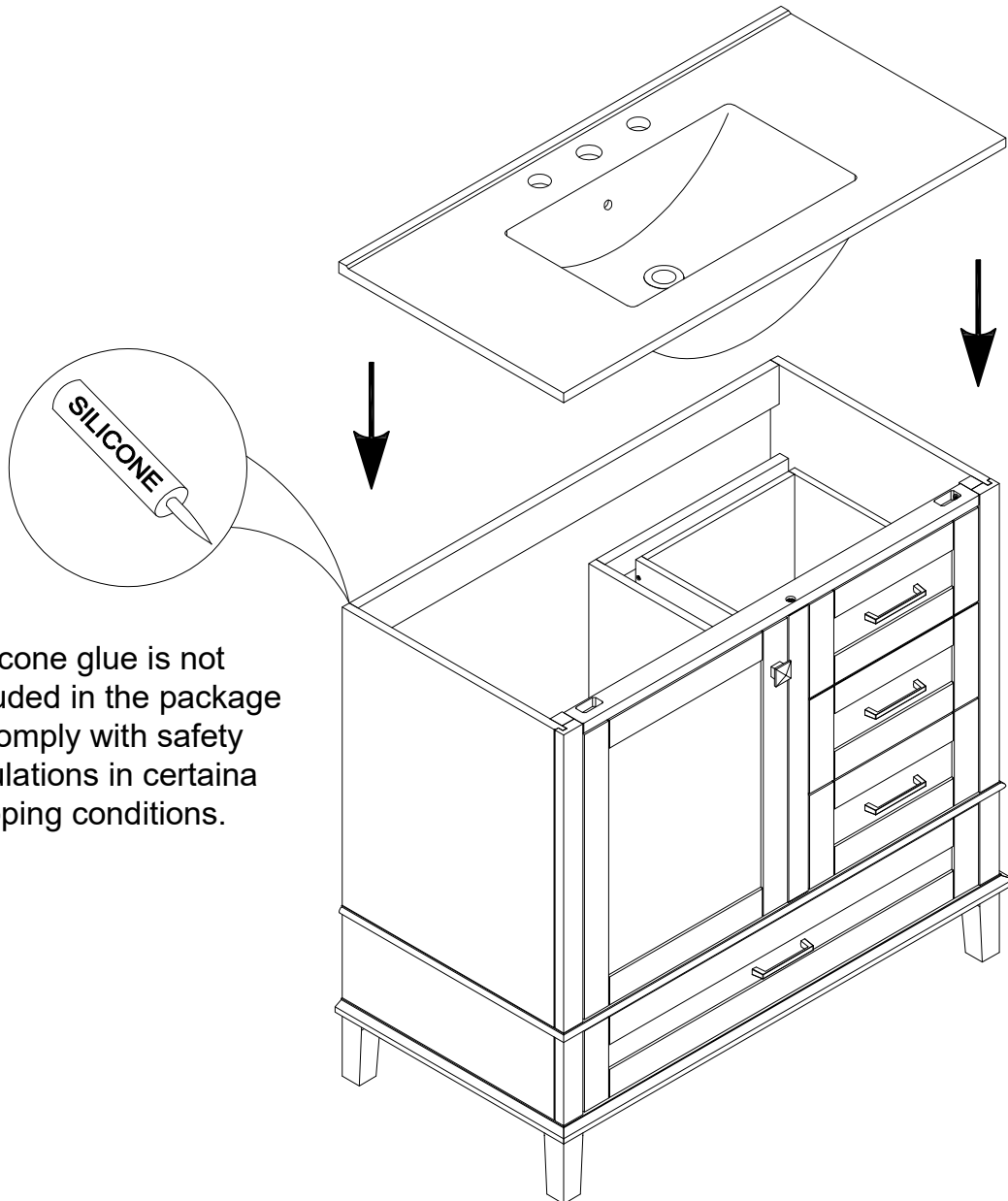


STEP:13



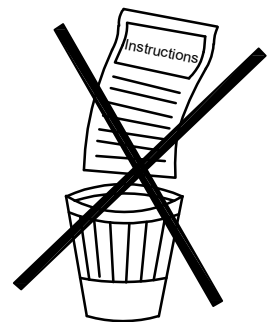
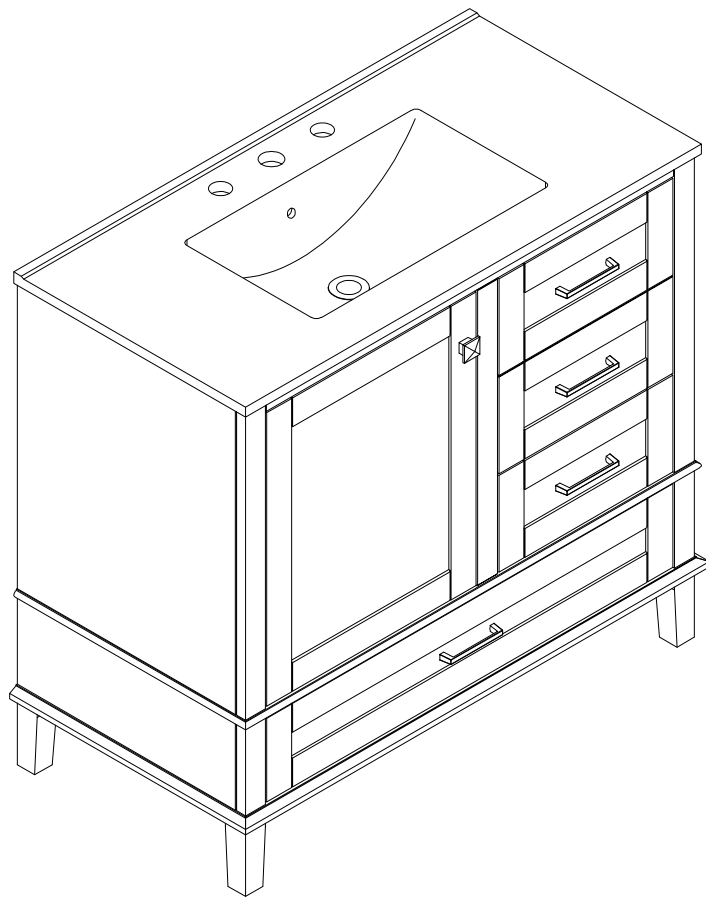
STEP:14

Install the sink on the cabinet with glue.
Let stand for 24 hours

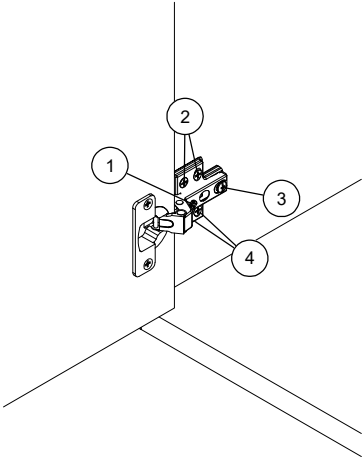


*Silicone glue is not included in the package to comply with safety regulations in certain shipping conditions.

STEP:15

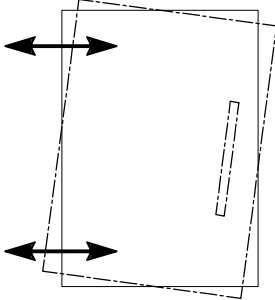


HINGE ADJUSTMENTS



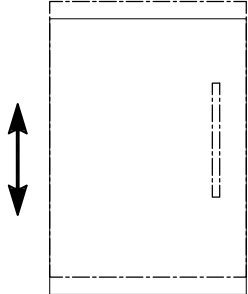
① Sideways / Tilt adjustment

Turn the screw
clockwise to move the door further away from the side of the cabinet
anticlockwise to move the door closer to the side of the cabinet



② ④ Height adjustment

While supporting the weight of the door, turn the screws
clockwise to move the door up
anticlockwise to move the door down



① Forward and back adjustment

