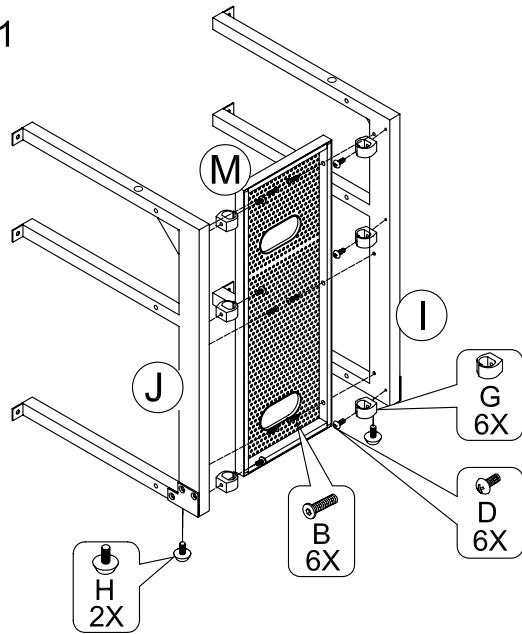
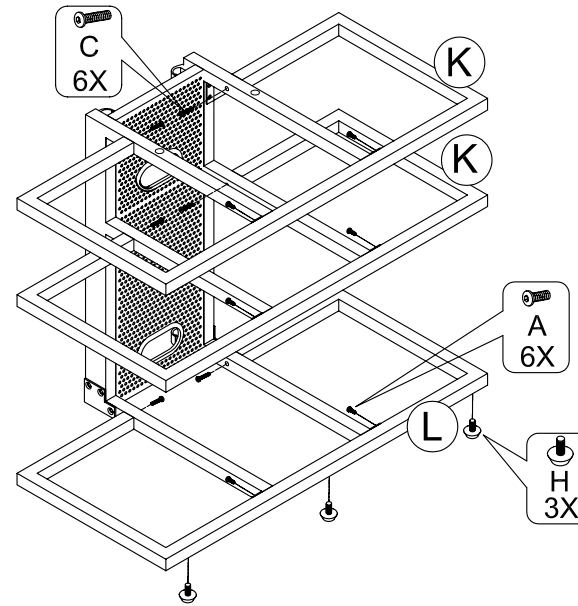


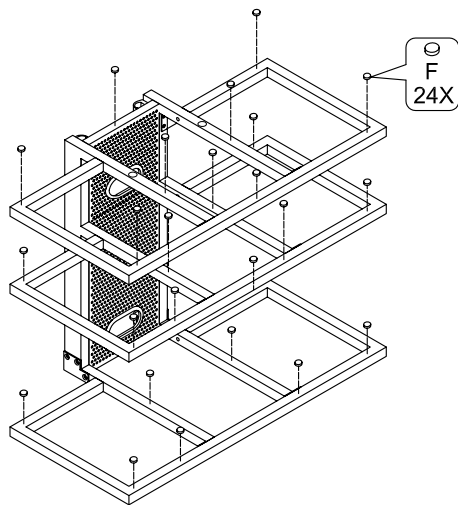
STEP 1



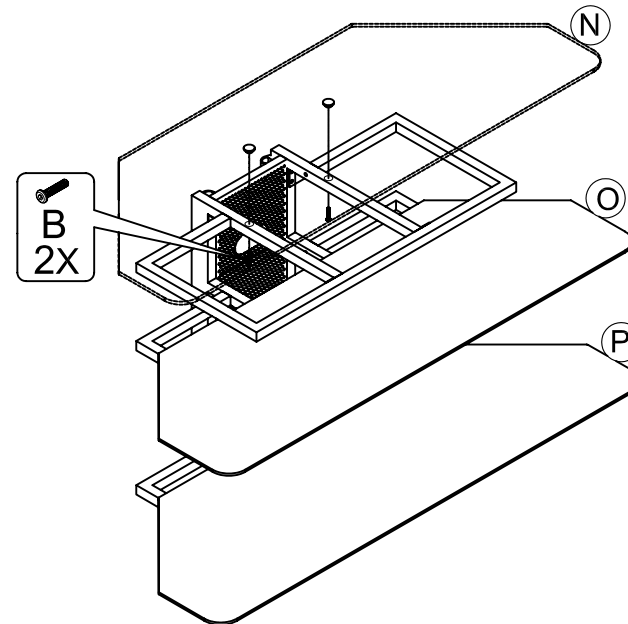
STEP 2









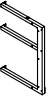
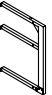
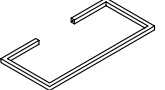
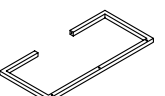

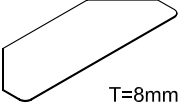

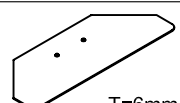


STEP 3



STEP 4



NO.	DESCRIPTION	Q'TY
A	 M6x12mm	6
B	 M6x25mm	8
C	 M6x38mm	6
D	 M4x15mm	6
E	 M4	1
F	 Ø12x3.5mm	24
G	 M6	6
H	 M6	5
I		1
J		1
K		2
L		1
M		1
N	 T=8mm	1
O	 T=6mm	1
P	 T=6mm	1