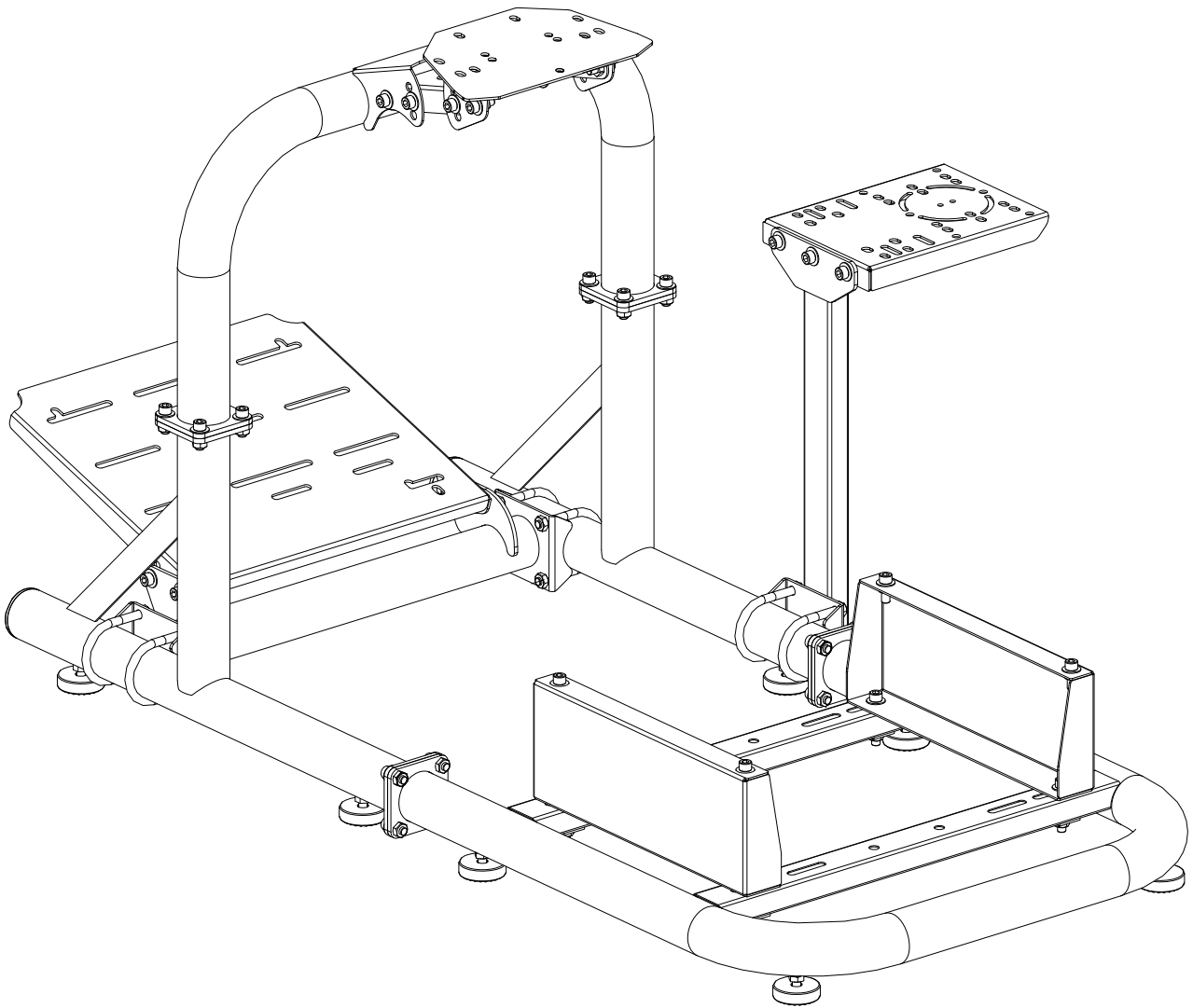
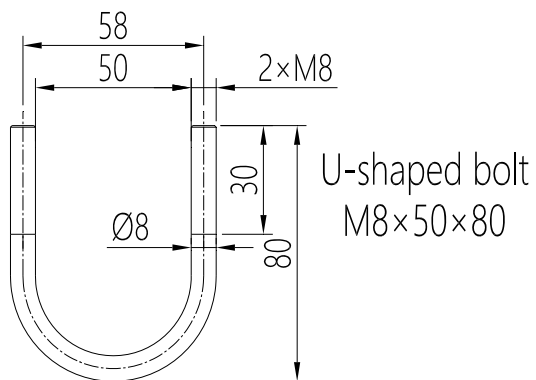
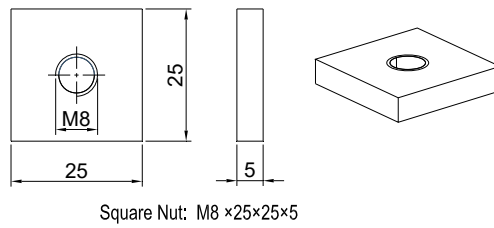
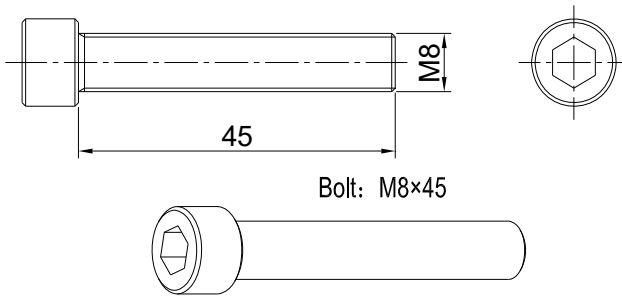
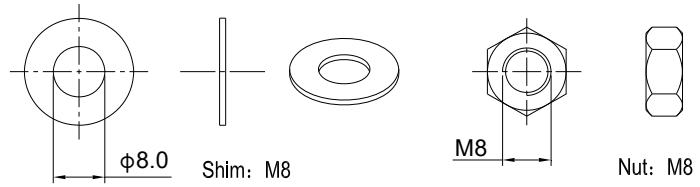
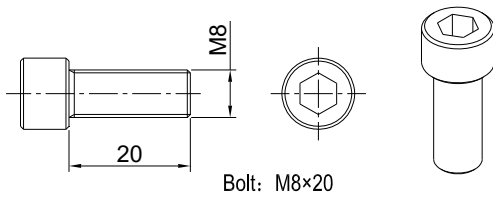
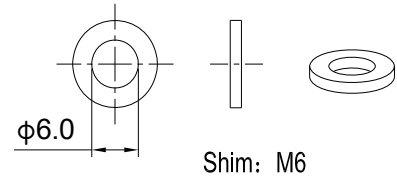
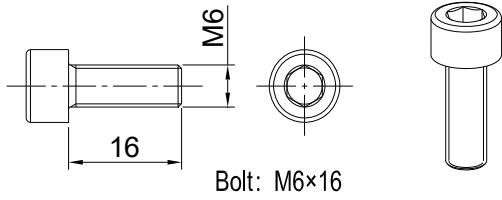
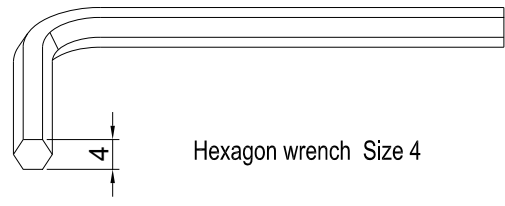
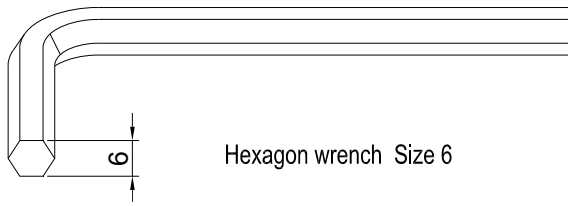


Product Assembly Manual

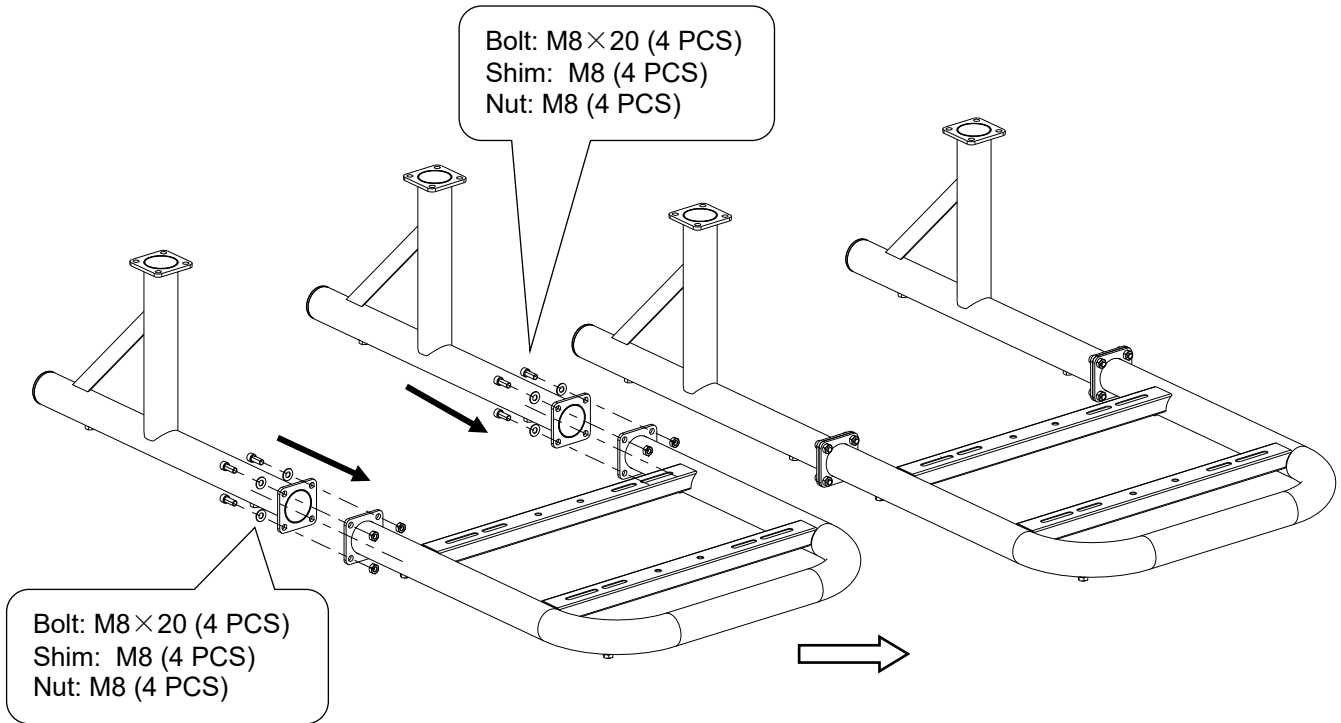


accessories explanation

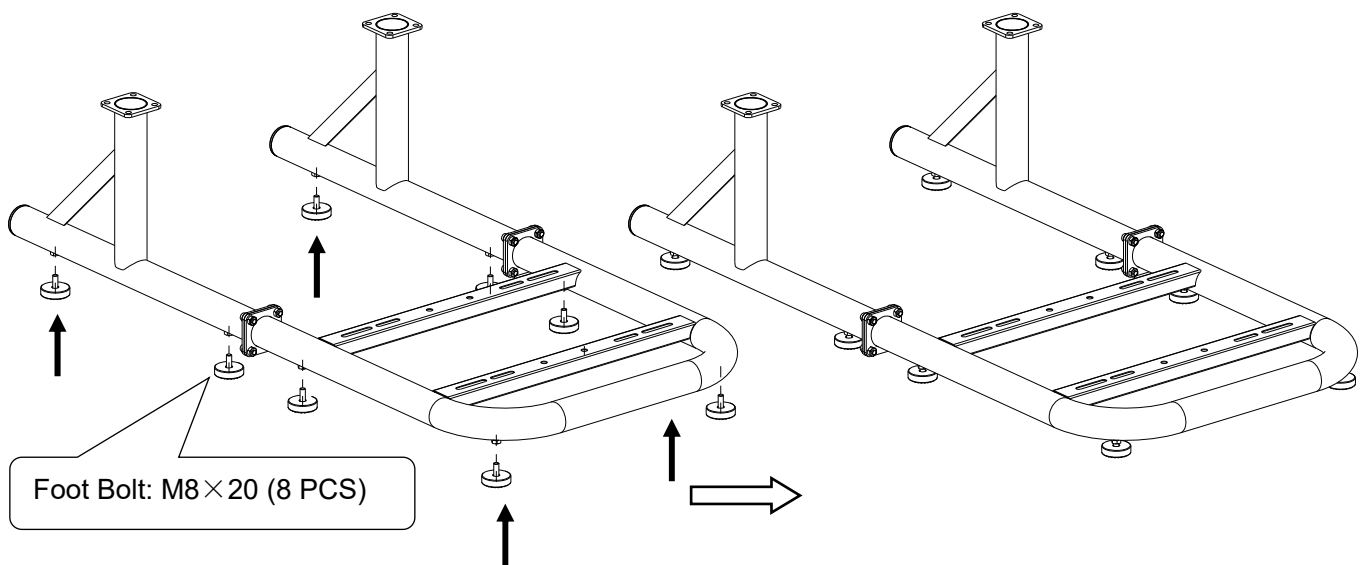


Assembly Processes

1. Assemble the frontpart bracket on the left and right with 8 pieces of the bolt(M8×20)、8 pieces of the shim (M8) and 8 pieces of the nut (M8)

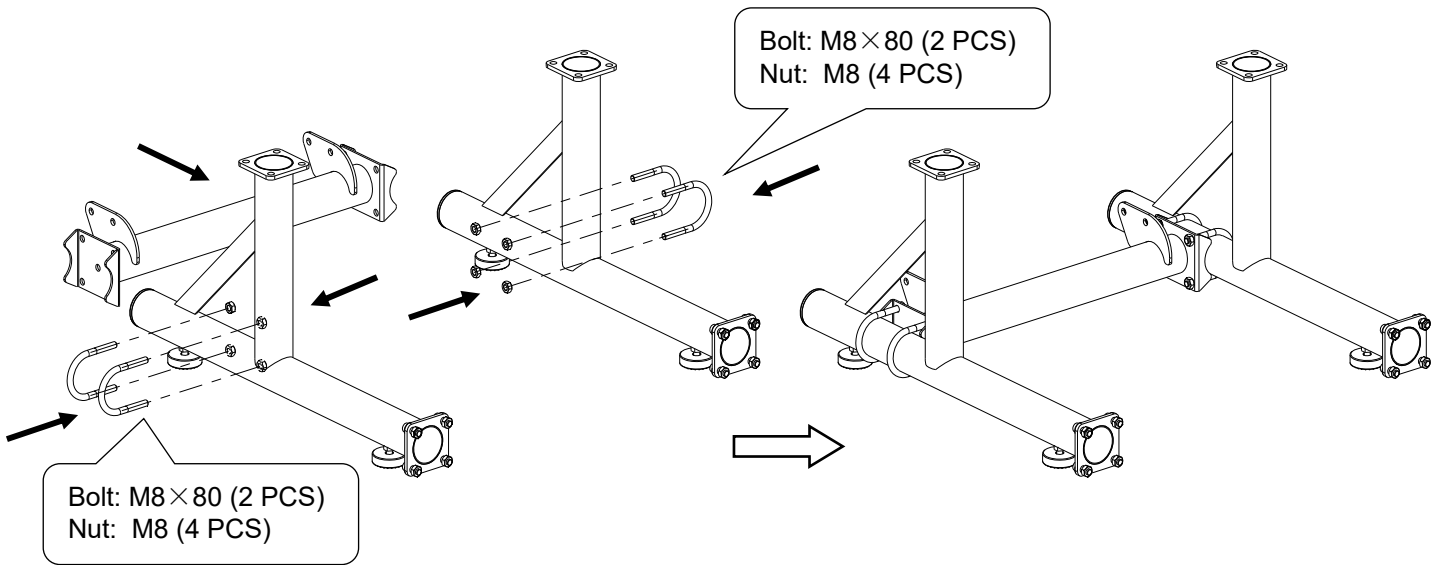


2. Assemble the anti-skid foot bolt(8 pcs) to the stand

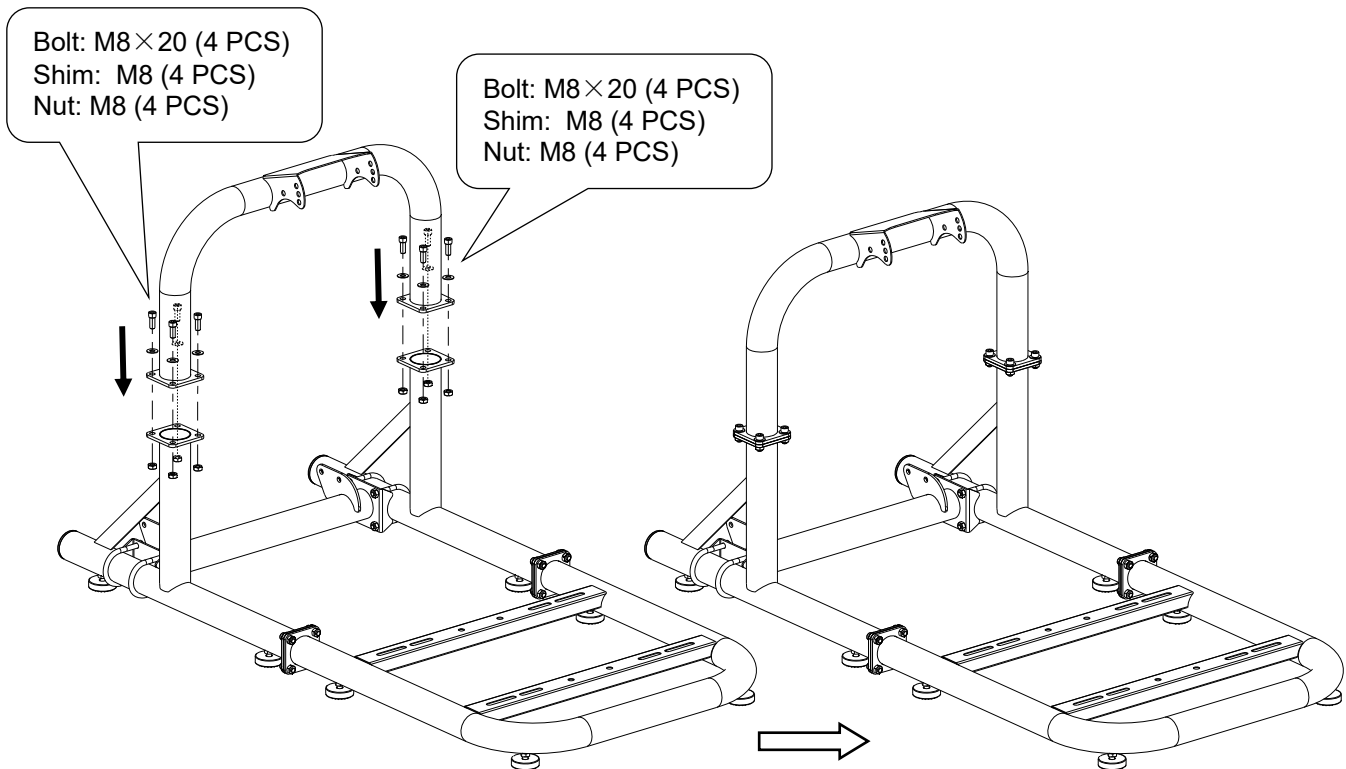


Racing Simulator Stand

3. Assemble the connecting bracket with 4 pieces of the U-shaped bolt(M8×80) and 8 pieces of the Nut (M8)

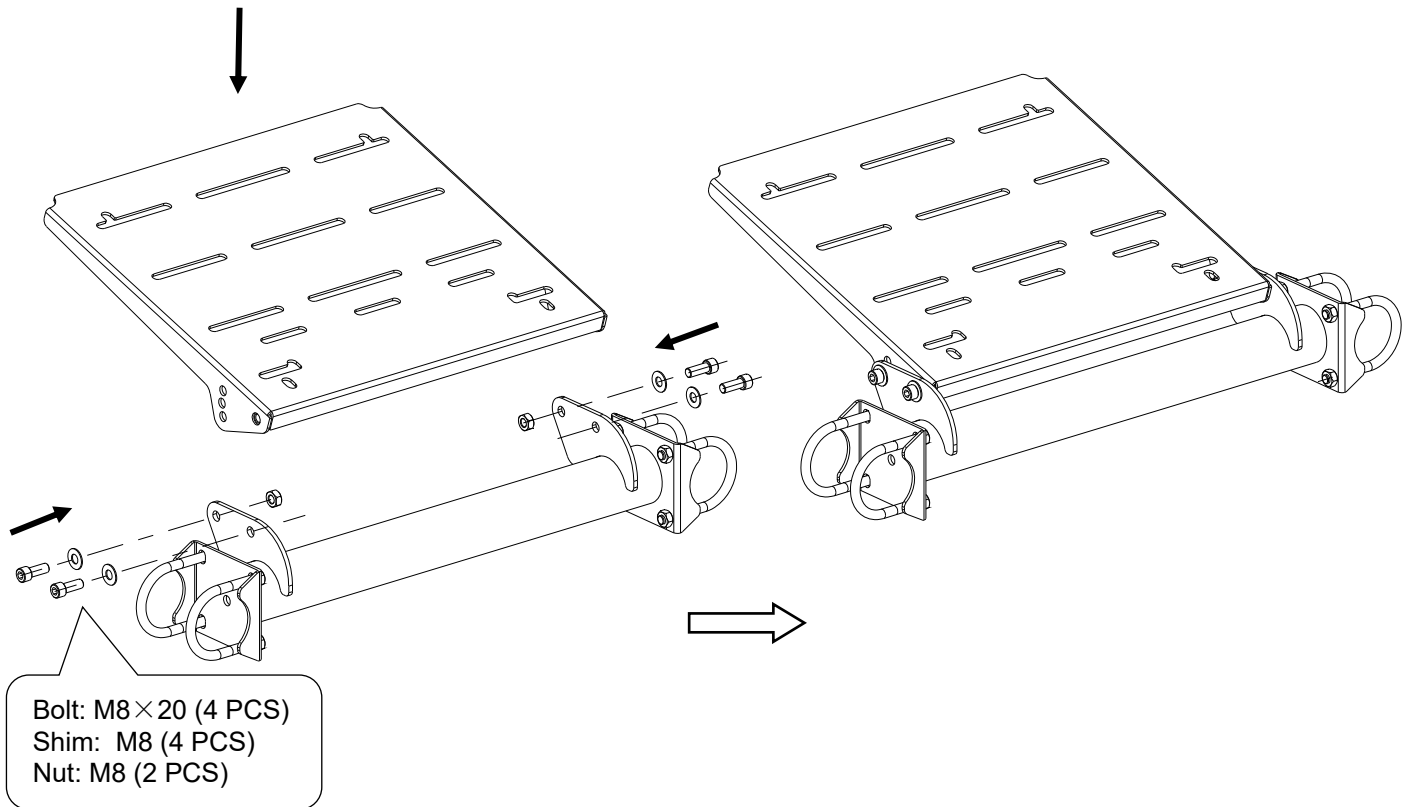


4. Assemble upper fixing bracket with 8 pieces of the bolt(M8×20)、8 pieces of the shim (M8) and 8 pieces of the nut (M8)

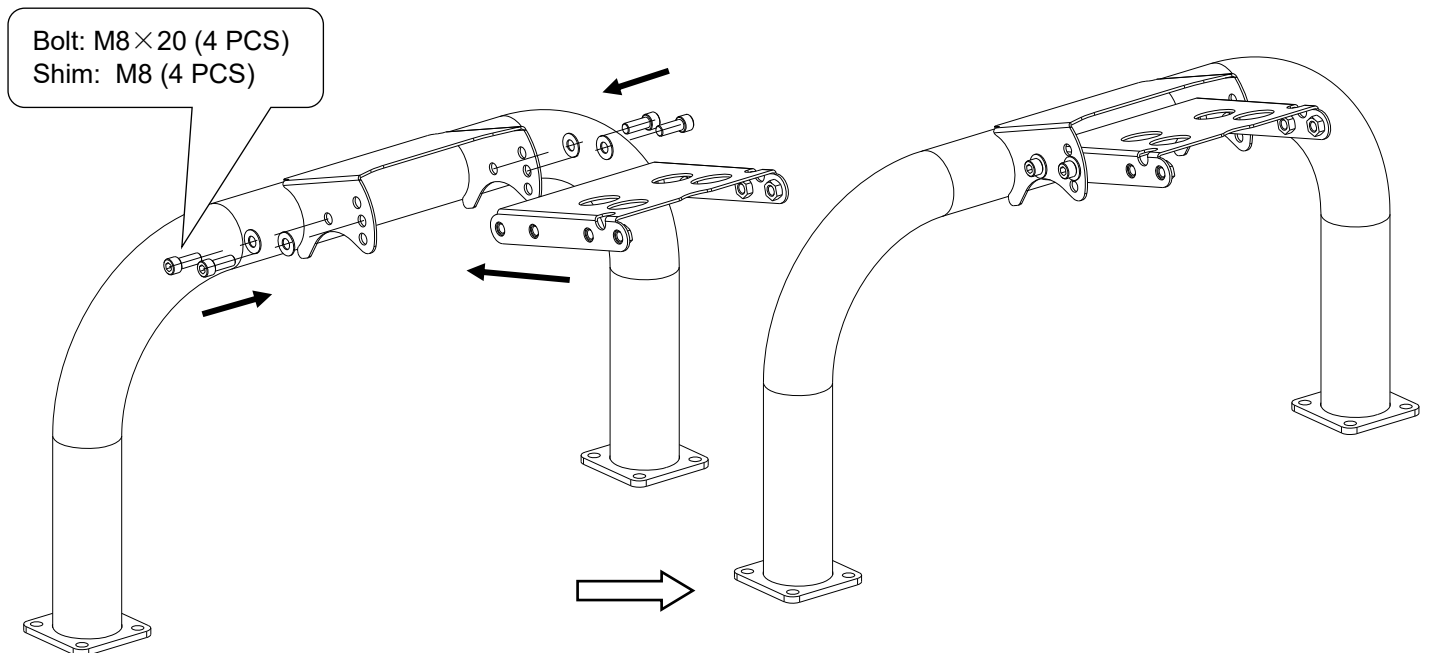


Racing Simulator Stand

5. Assemble pedal connecting bracket with 4 pieces of the bolt(M8×20) 、 4 pieces of the shim (M8) and 2 pieces of the Nut (M8)

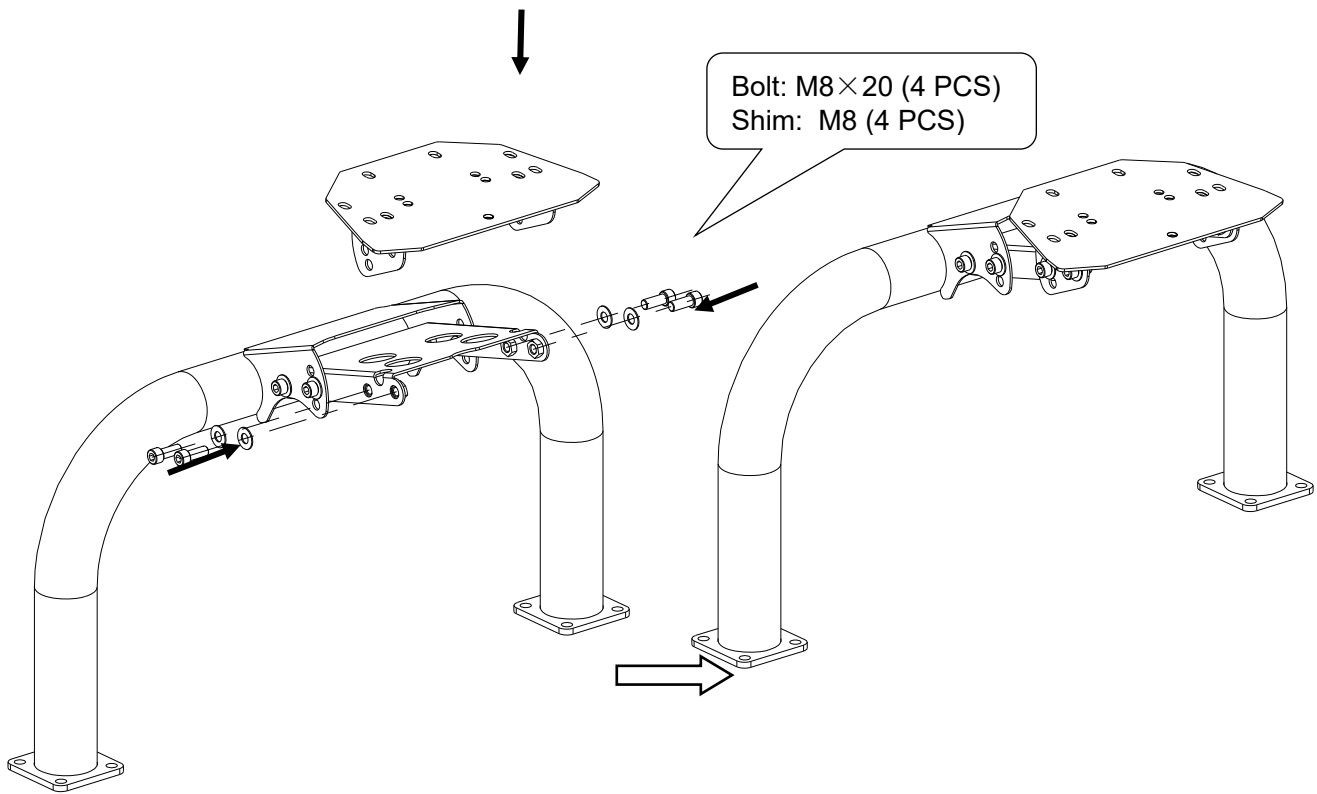


6. Assemble Steering wheel connection bracket with 4 pieces of the bolt(M8×20) 、 4 pieces of the shim (M8)

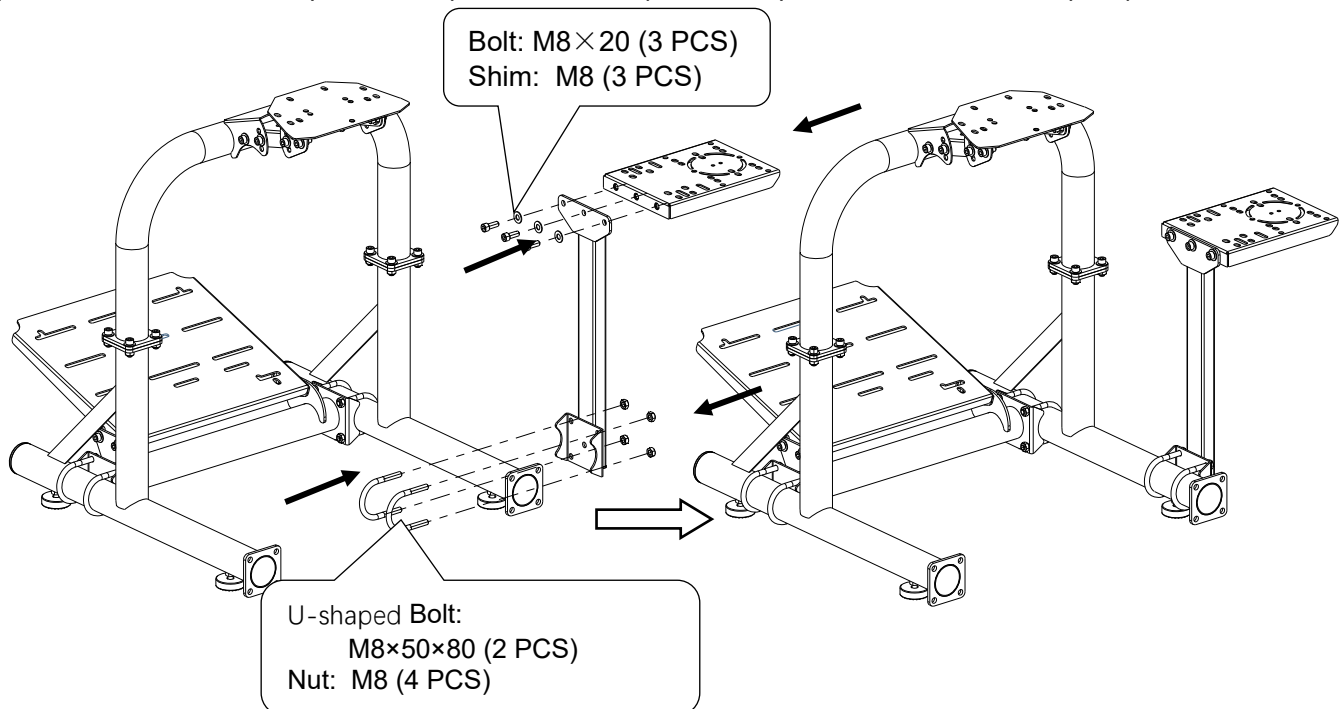


Racing Simulator Stand

7. Assemble the steering wheel fixing bracket with 4 pieces of the bolt (M8×20) 、 4 pieces of the shim (M8)



8. Assemble the elbow fixing stand and fixing plate on the left or right as your like to the Seat stand with 3 pieces of the bolt (M8×20) 、 3 pieces of the shim (M8) 、 2 pieces of the U-shaped bolt(M8×50×80) and 4 pieces of the Nut (M8)



Racing Simulator Stand

9. Assemble the seat adjustment stand with 4 pieces of the bolt (M8×45) 、 4 pieces of the shim (M8) and 4 pieces of the square nut (M8*25*25*5)

