



42 GREENE STREET LL NEW YORK NY 10013
T 212.355.0625 F 212.355.0628 WWW.OASIQ.US



SANDUR Mini Club Chair

W 26 1/16" D 24 7/8" H 29 5/16"

AH 23 7/16" SH 16"

CH 1 3/8" OSH 17 3/8"

19.84 lbs

Powder coated stainless steel & rope

SANDUR ROPE AND FRAME COMBINATION



White Rope / White Frame



White Rope / Anthracite Frame



Green Rope / Anthracite Frame

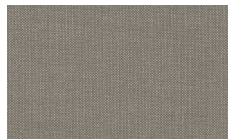


Taupe Rope / Anthracite Frame

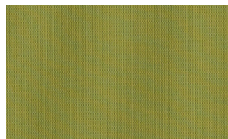
SANDUR: CUSHION FABRICS



Canvas Natural

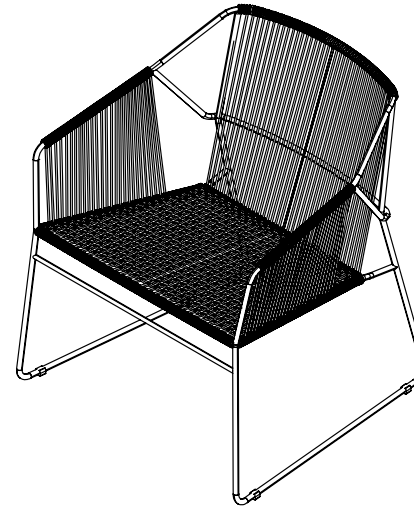
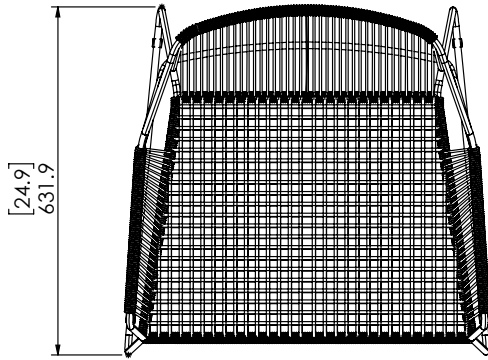


Lantern Slate

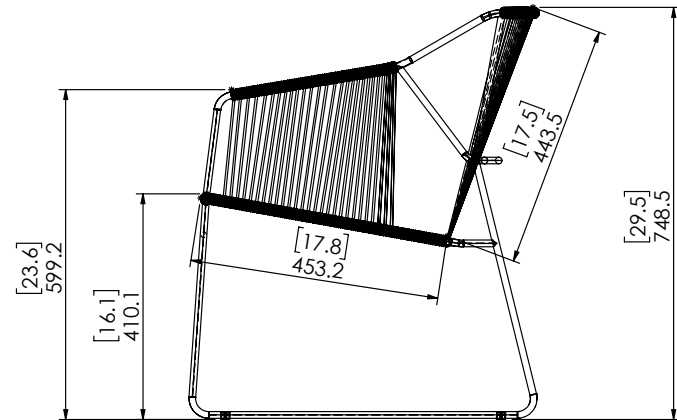
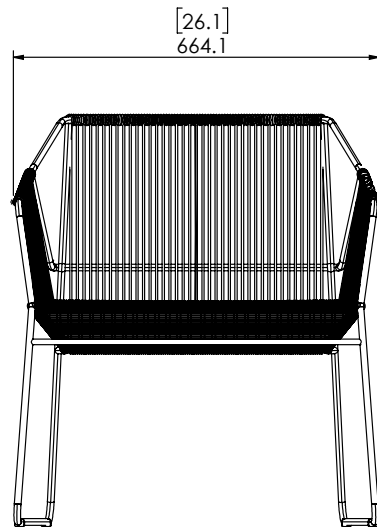


Canvas Lichen

TOP VIEW



FRONT VIEW



SIDE VIEW