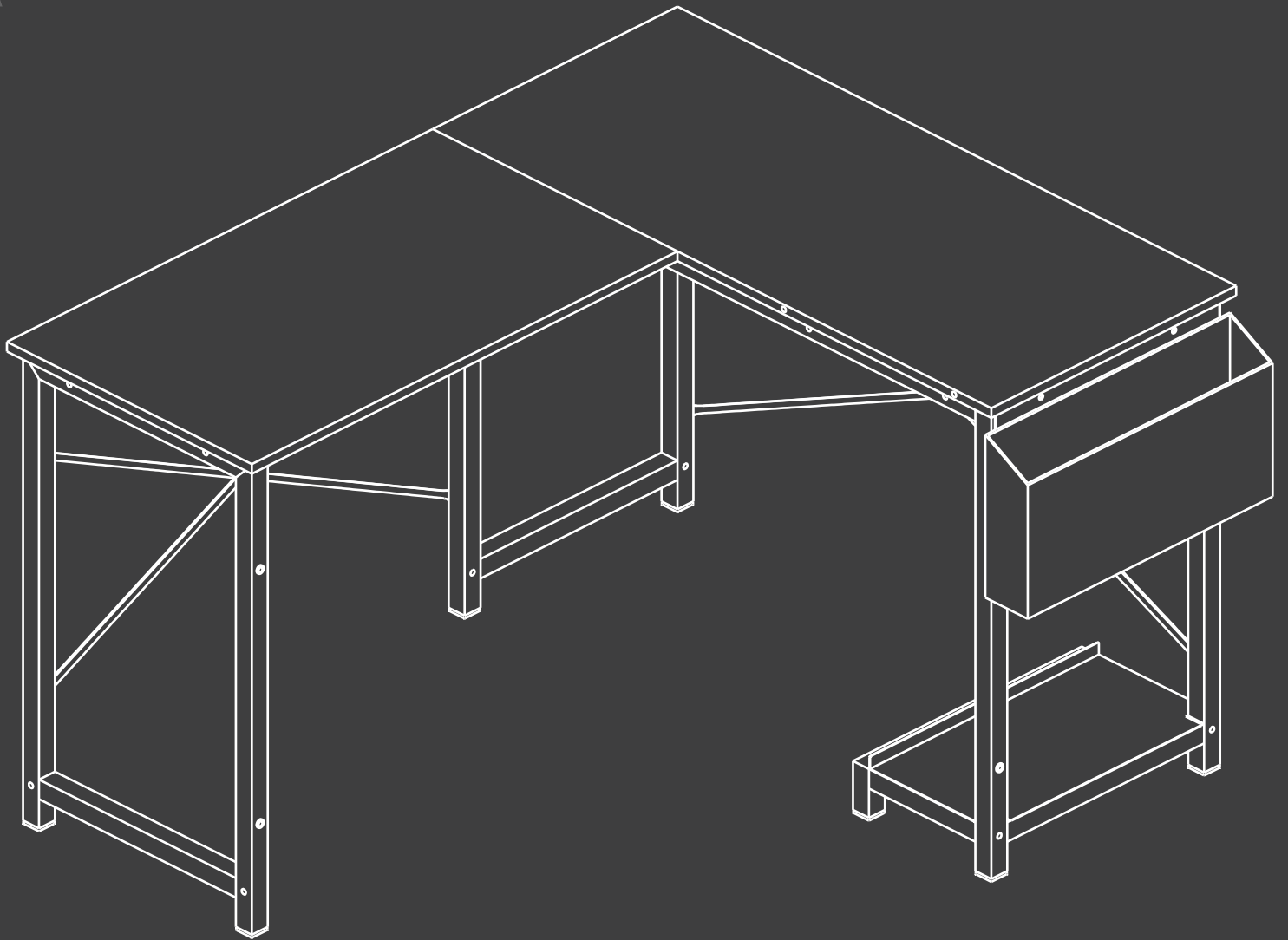


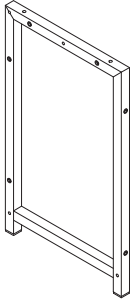
# L Shaped Computer Desk Instruction Manual



# 1 Package List

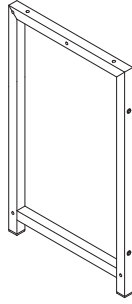
---

**A**



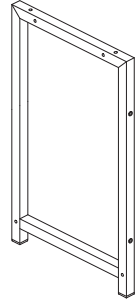
Leg

**B**



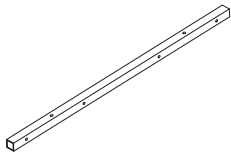
Leg

**C**



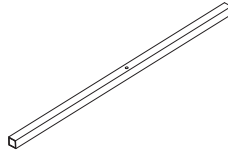
Leg

**D**



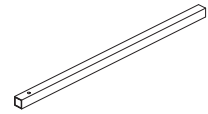
Crossbar

**E**



Crossbar

**Fx2**



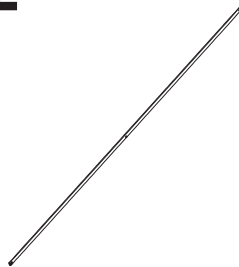
Crossbar

**Gx2**



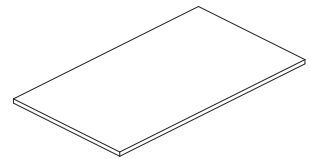
Bar

**Hx2**



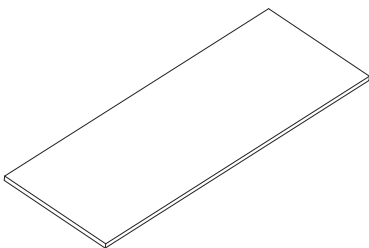
Bar

**I**



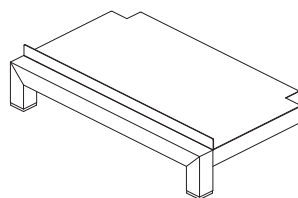
Board

**J**



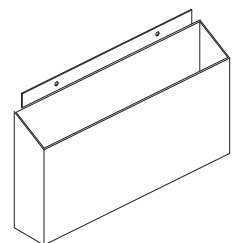
Board

**K**



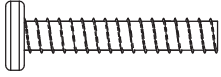
Stand

**L**



Felt Bag

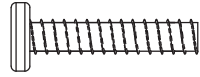
**1x10**



M6x45mm

**Screws**

**2x11**



M6x40mm

**Screws**

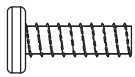
**3x10**



M6x12mm

**Screws**

**4x2**



M6x25mm

**Screws**

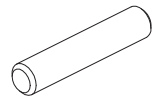
**5x2**



M6

**Nut**

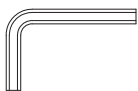
**6x2**



8x40

**Wooden Dowel**

**7**



M4

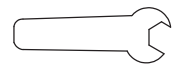
**Wrench**

**8x2**



**Cover-up Sticker**

**9**

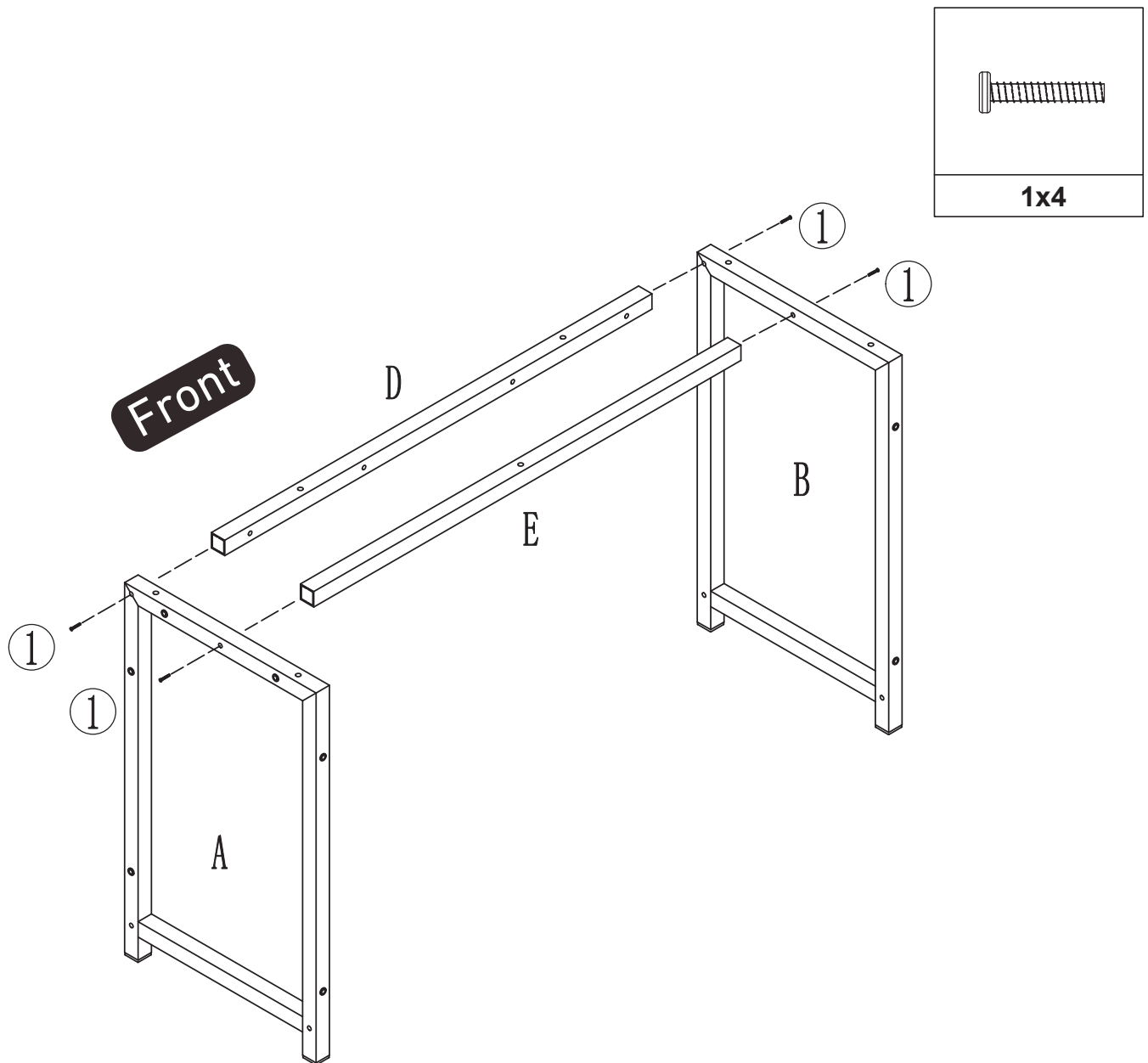


**Wrench**

# ATTENTION:

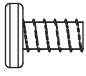
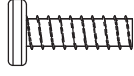

1. Please do not wipe the desk with corrosive liquids.
2. Please take good care of the parts to avoid children's contact and accidental eat in.
3. Please do not place overheated kitchenware and tableware to avoid damaging the desk.

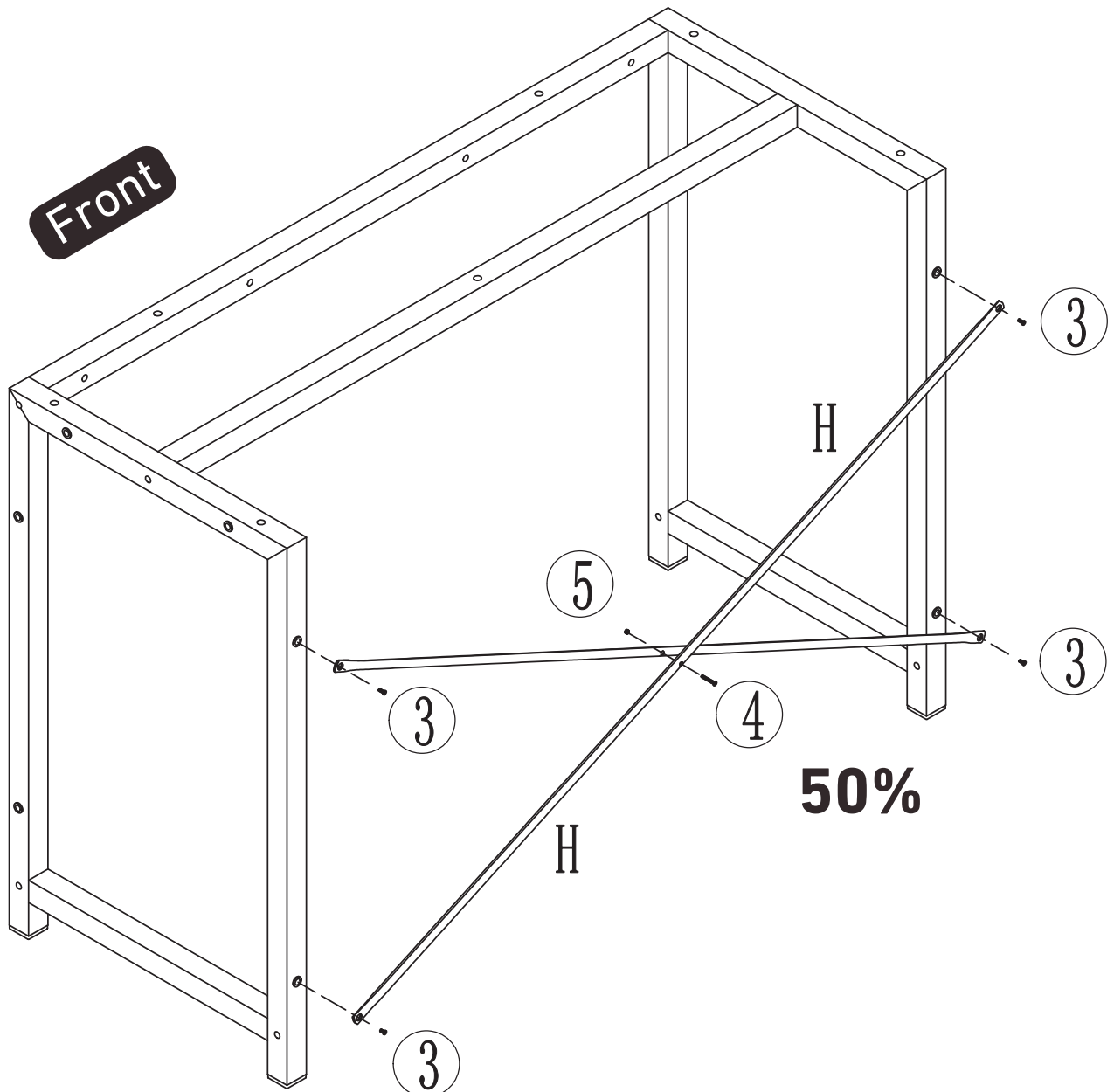
## Step 1



Attach Crossbars **(D&E)** to the **front** and **middle** of the Legs **(A&B)** with Screws **(1)\*4**.

## Step 2

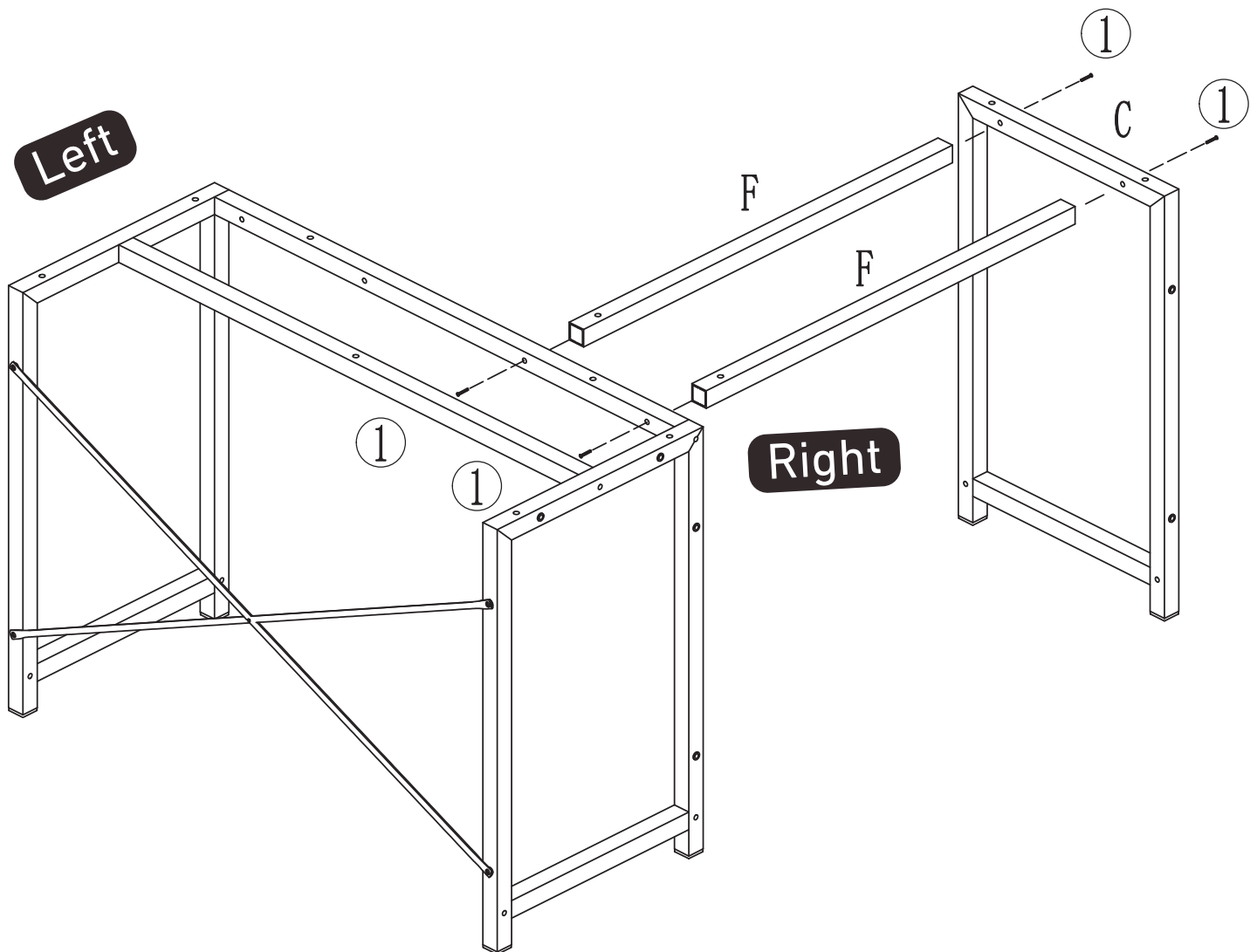
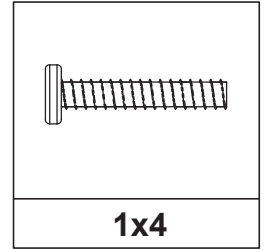
		
<b>3x4</b>	<b>4x1</b>	<b>5x1</b>



Fix the screw hole in the middle of the Bar **(H)\*2** with Screw **(4)\*1** and Nut **(5)\*1**. Fix the crossed Bar **(H)\*2** to the Legs **(A&B)** with Screws **(3)\*4**.

**Note:** Screw **(4)** and Nut **(5)** are only tightened **50%**.

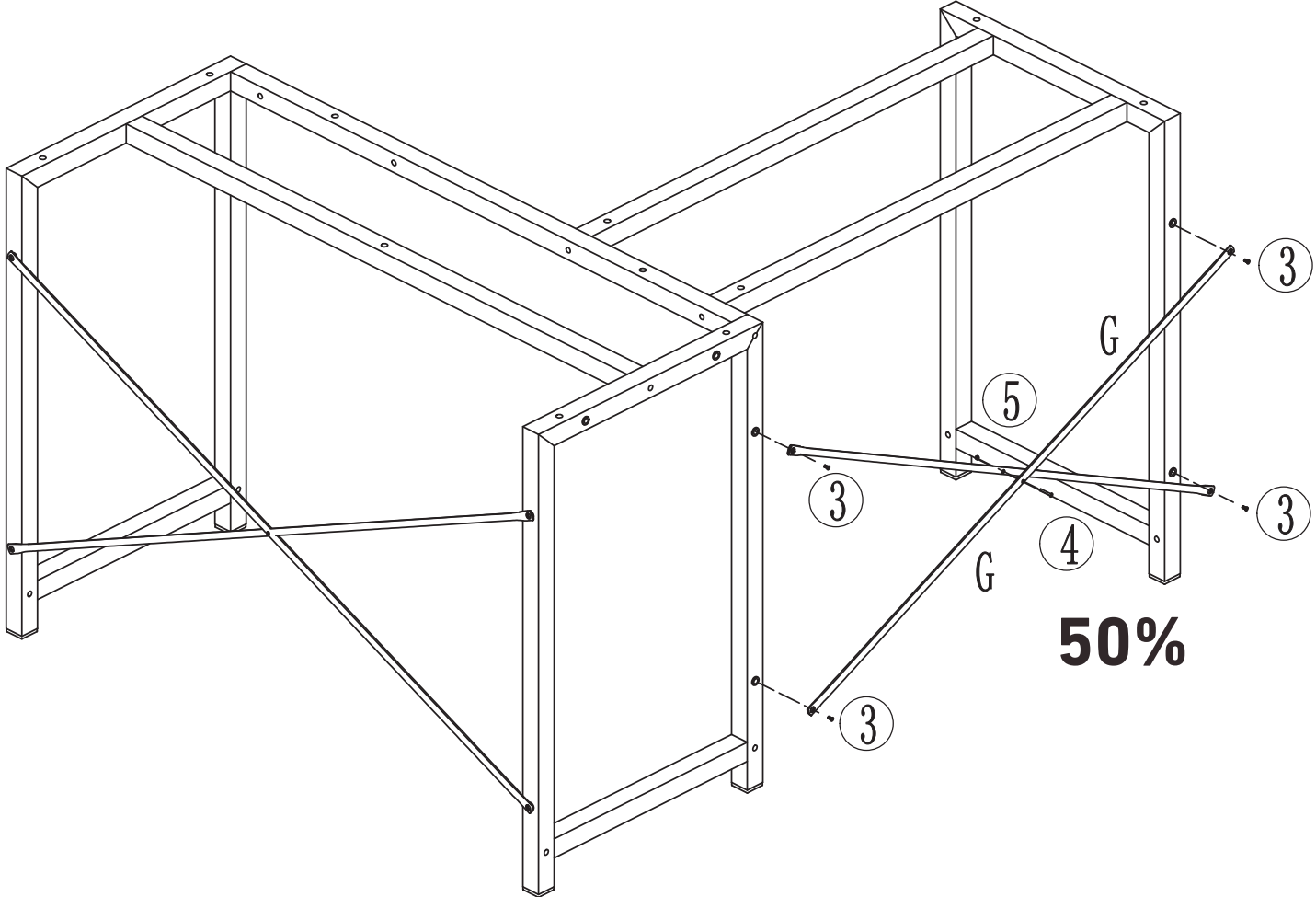
## Step 3



Attach one side of the Crossbar (**F**)\***2** to the Leg (**C**) and the other side to the **RIGHT** side of the installed Desk Frame with Screws (**1**)\***4**.

# Step 4

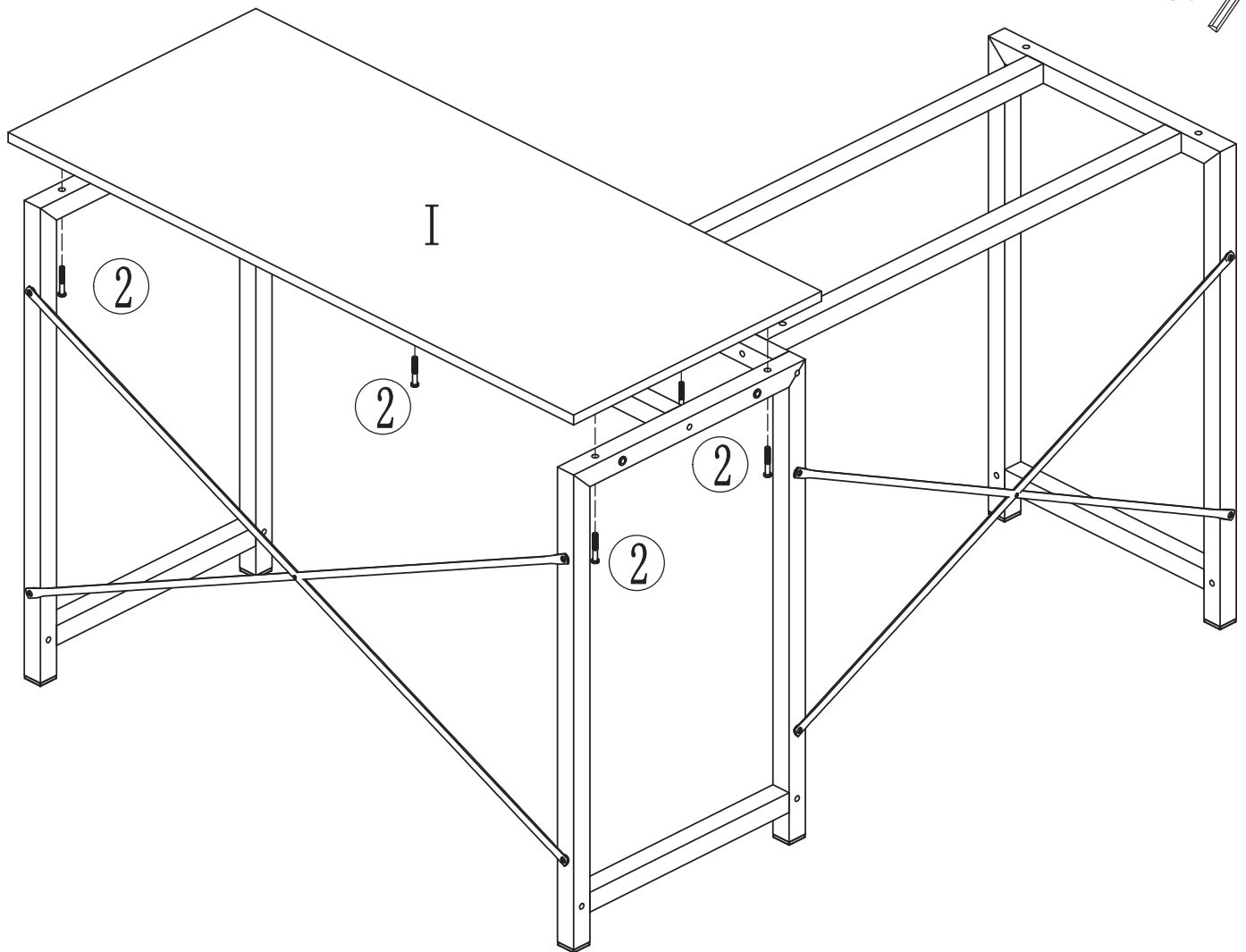
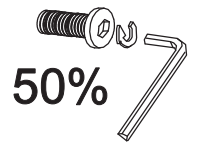
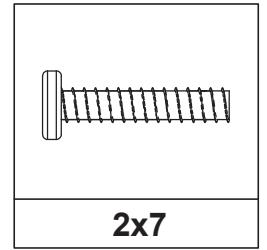
A small screw with a flat head and a threaded shaft.	A medium-sized screw with a flat head and a threaded shaft.	A hexagonal nut with a threaded hole.
<b>3x4</b>	<b>4x1</b>	<b>5x1</b>



Fix the screw hole in the middle of the Bar (G)\*2 with Screw (4)\*1 and Nut (5)\*1. Attach the crossed Bar (G)\*2 to the Legs (B&C) with Screws (3)\*4.

**Note:** Screw (4) and Nut (5) are only tightened **50%**.

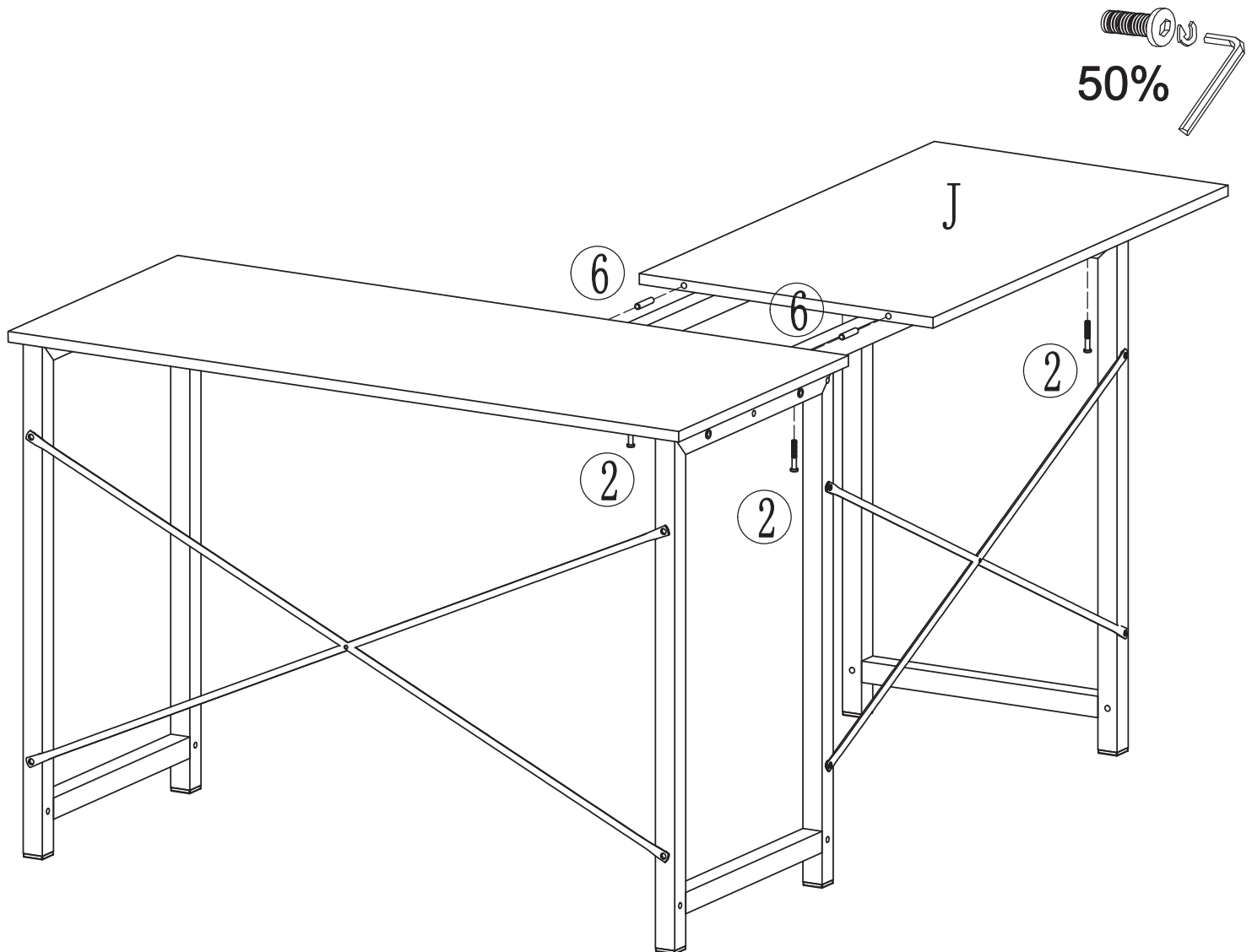
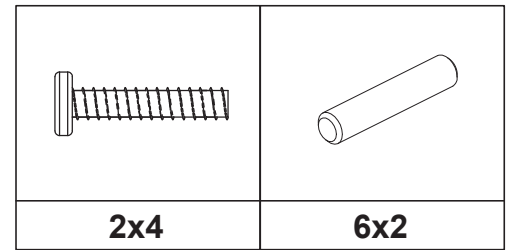
## Step 5



Install Board **(I)** to one side Desk Frame with Screws **(2)\*7**.

**Note:** Screws are only tightened **50%**

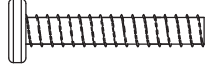
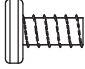
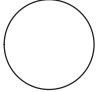
## Step 6

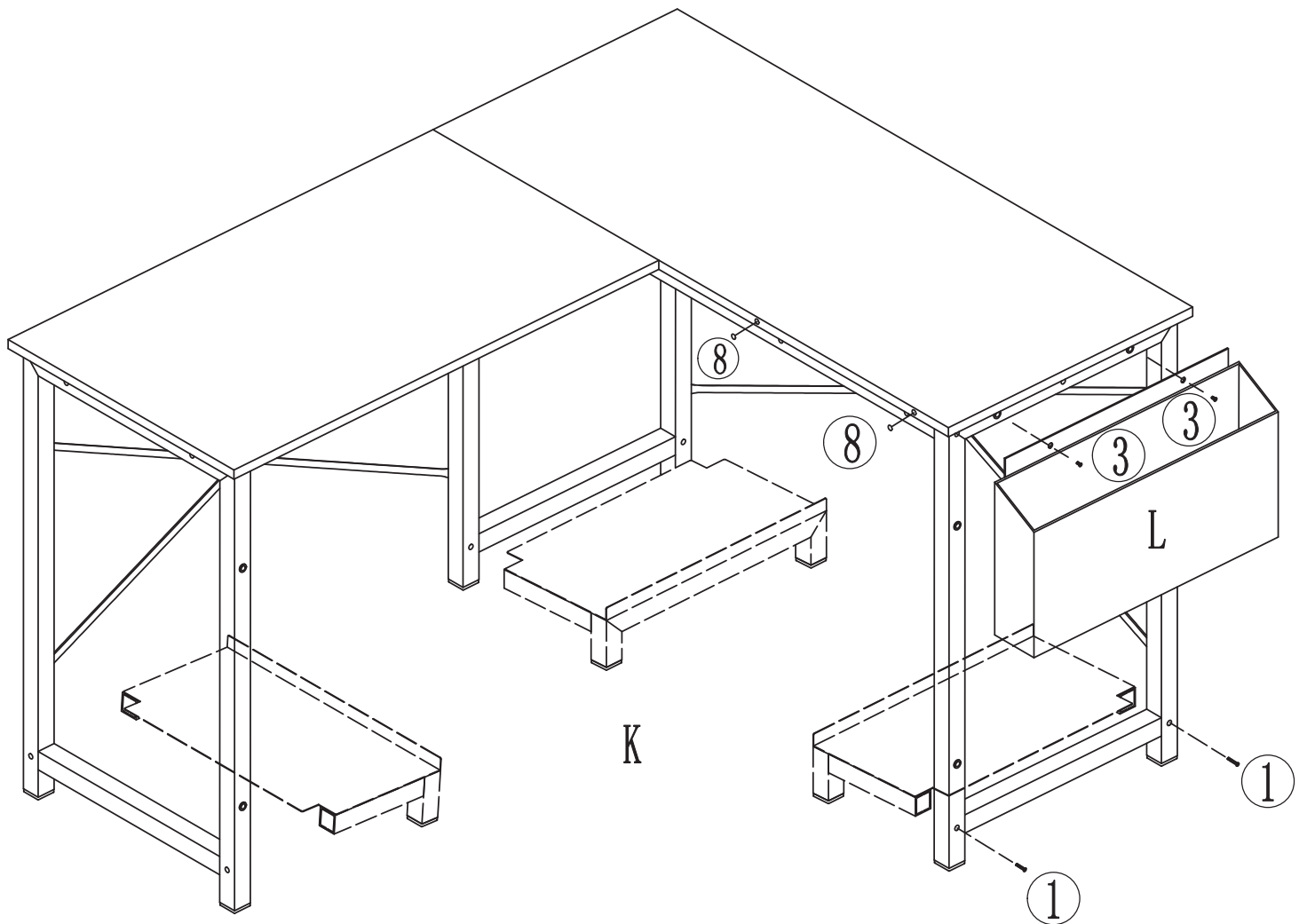


Fix Boards **(I&J)** with Wooden Dowel **(6)\*2** so that the two match perfectly. Then attach Board **(J)** to the Desk Frame with Screws **(2)\*4**.

**Note:** Screws are only tightened **50%**.

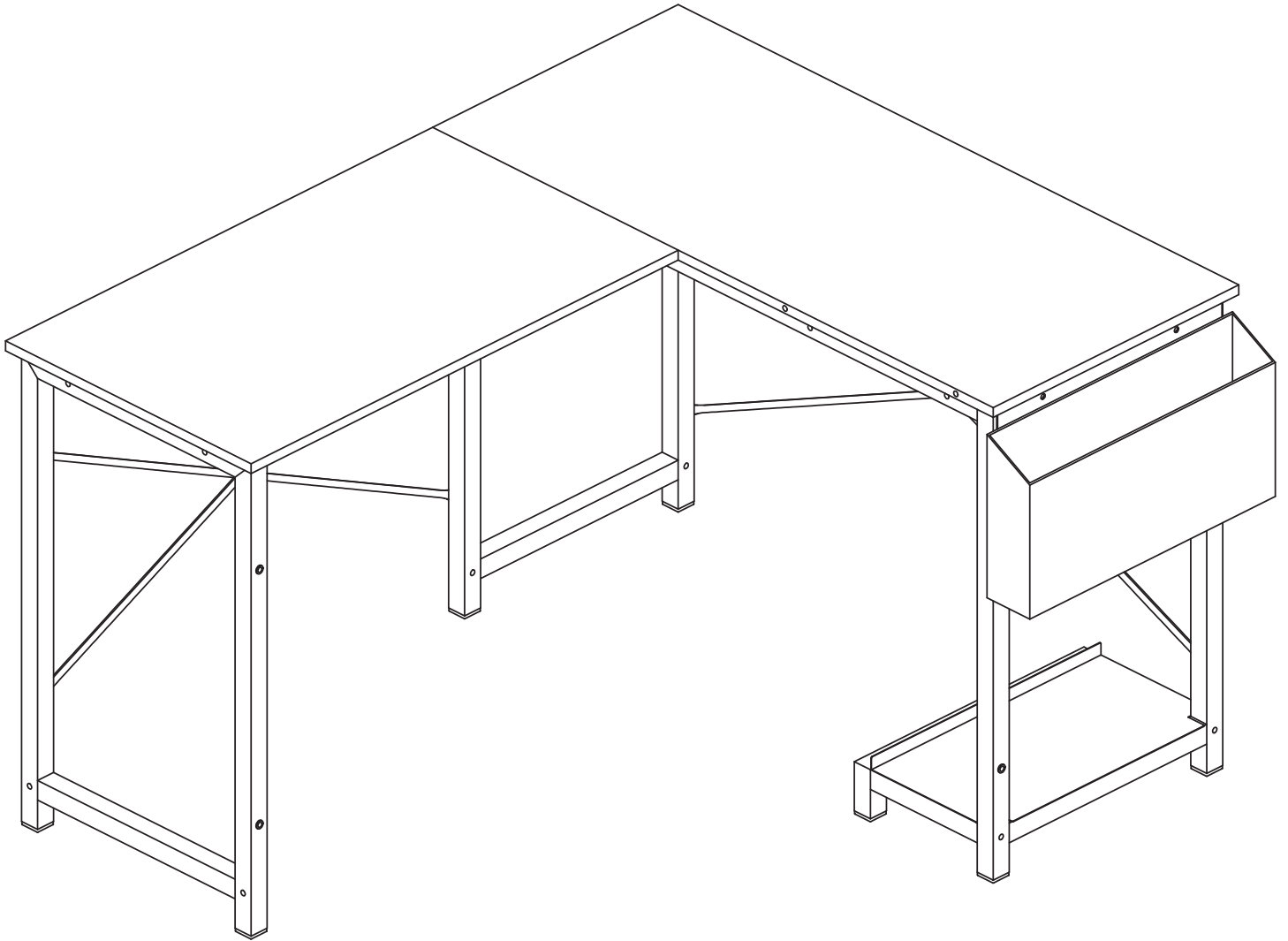
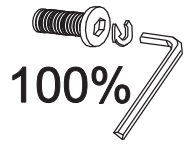
# Step 7

		
1x2	3x2	8x2



Attach Felt Bag (**L**) to the Leg (**A**) with Screws (**3**)\***2**. Attach Stand (**K**) to one of the three Legs (**A&B&C**) with Screws (**1**)\***2**. Then use Cover-up Sticker (**8**)\***2** to cover the exposed screw holes on the Board.

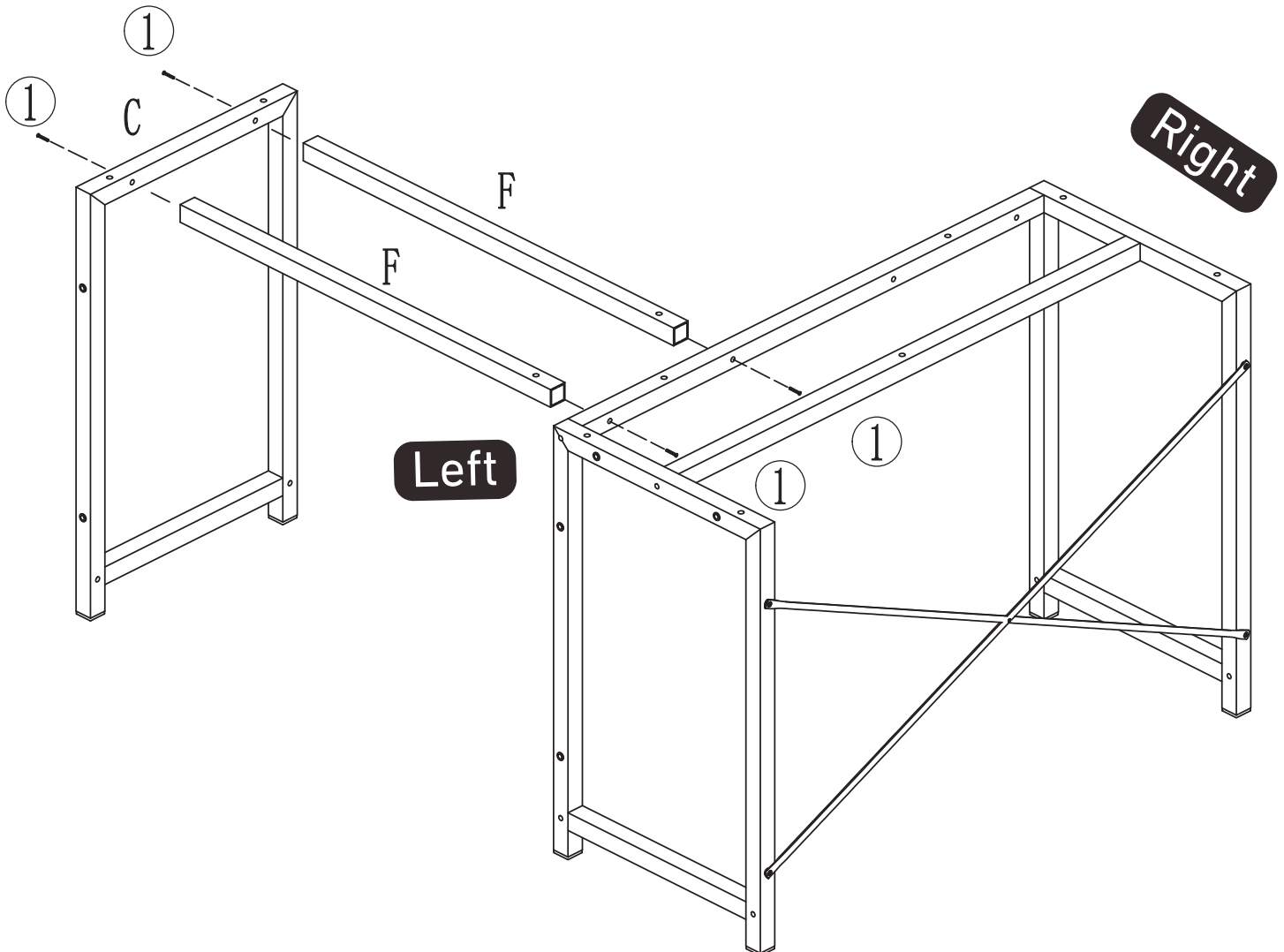
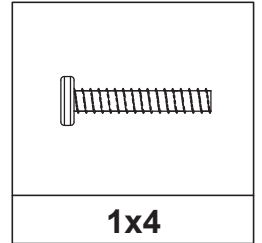
## Step 8



**100%** Tighten all screws before using the Desk, including Screws **(4)\*2**, Nuts **(5)\*2** and Screws **(2)\*11**.

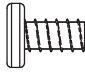
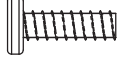
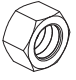
You can choose another installation method,  
customize the placement as your habit.

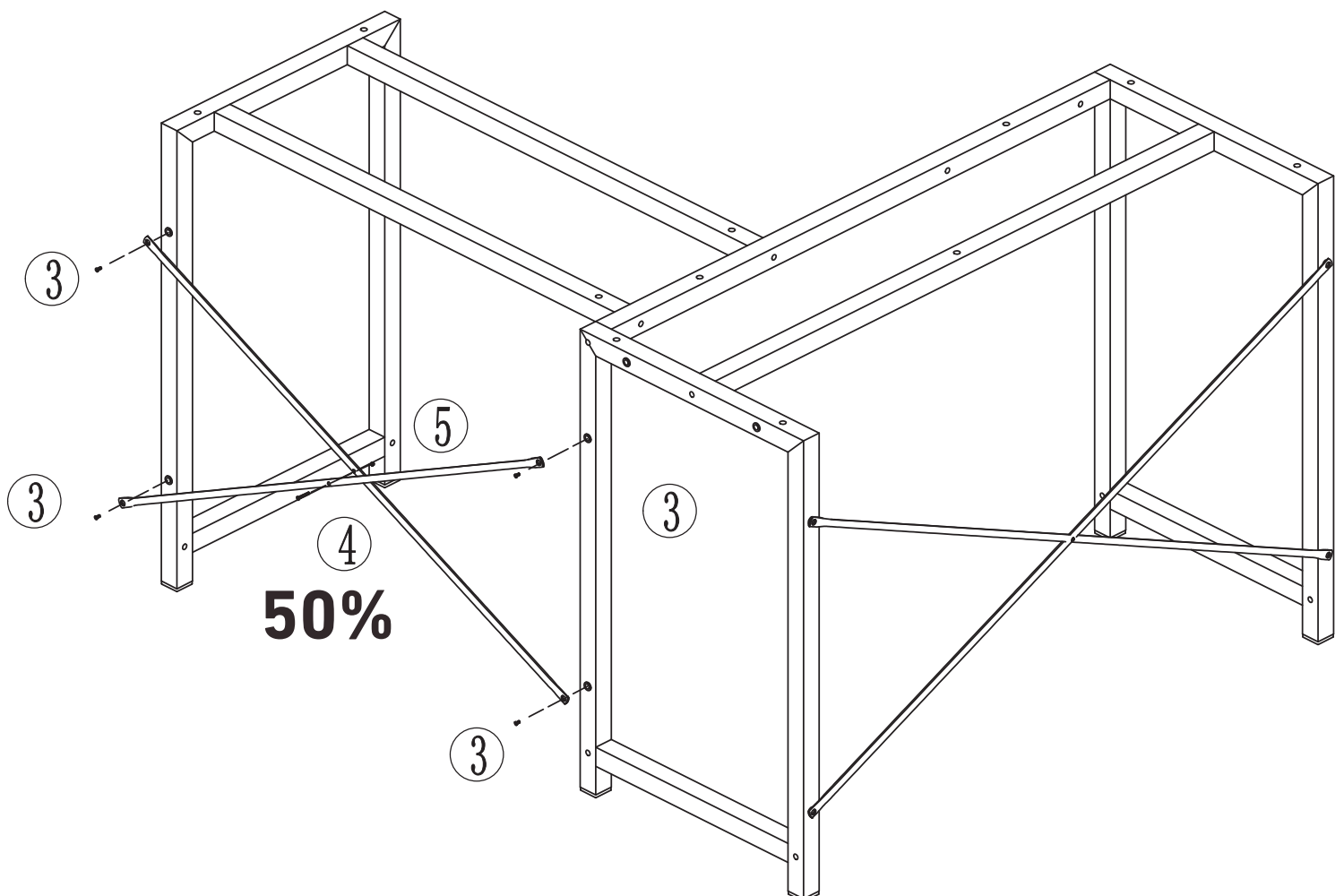
## Step 9



Attach Crossbar **(F)\*2** to the Leg **(C)** and the **LEFT** side of the Desk Frame with Screws **(1)\*4**.

## Step 10

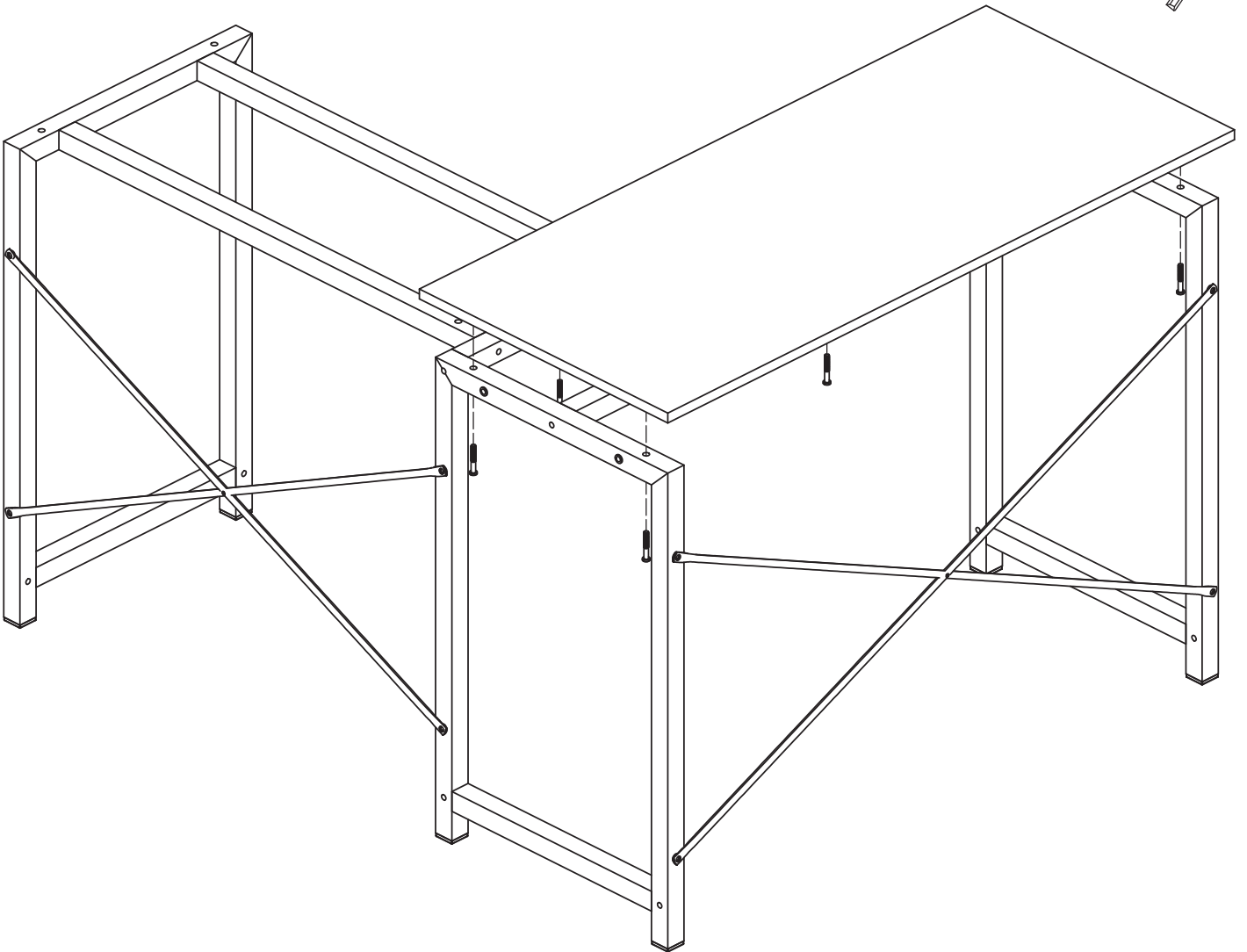
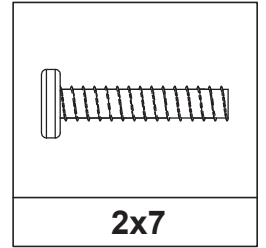
		
<b>3x4</b>	<b>4x1</b>	<b>5x1</b>



Fix Bar **(G)\*2** with Screw **(4)\*1** and Nut **(5)\*1**. Attach the crossed Bar to the Legs **(B&C)** with Screws **(3)\*4**.

**Note:** Screw **(4)** and Nut **(5)** are only tightened **50%**.

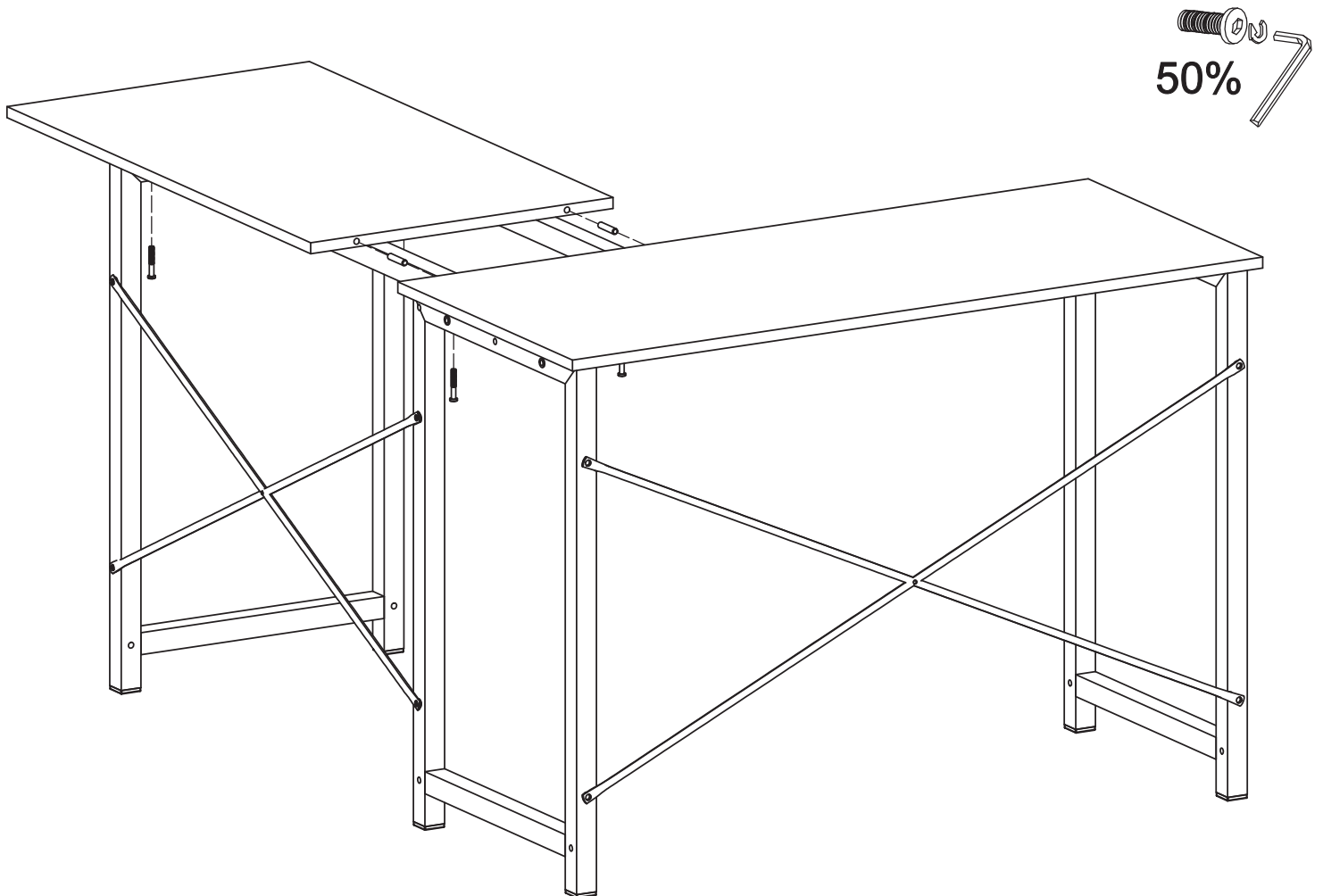
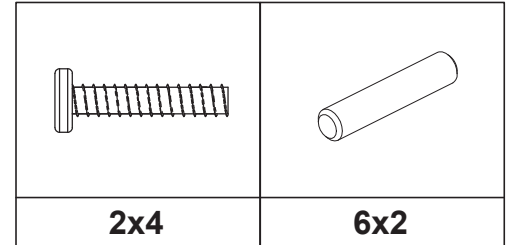
# Step 11



Install Board (1) to one side Desk Frame with Screws (2)\*7.

**Note:** Screws are only tightened **50%**.

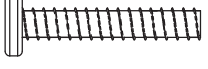
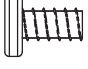
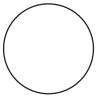
## Step 12

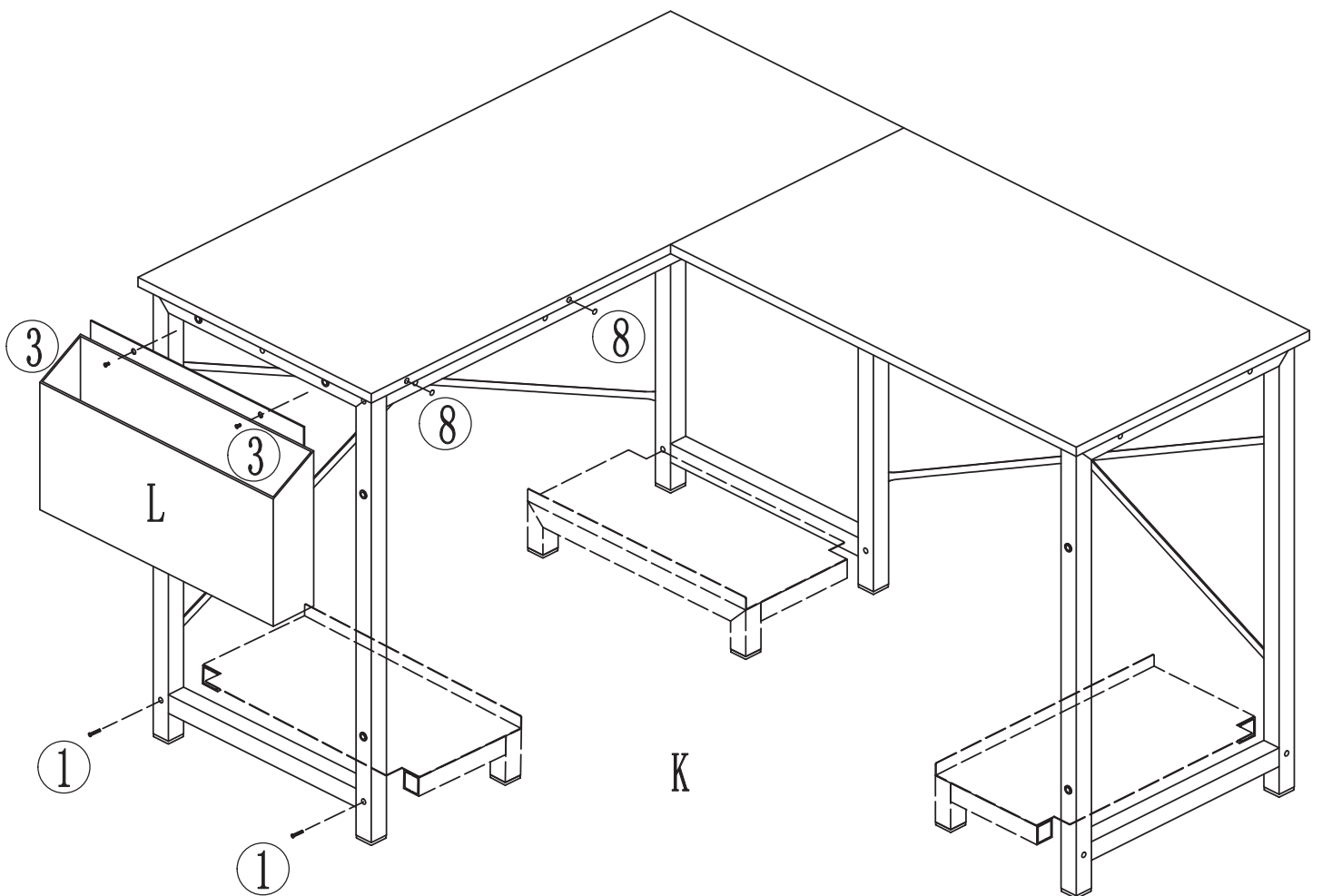


Fix Boards **(I&J)** with Wooden Dowel **(6)\*2** so that the two match perfectly. Then attach Board **(J)** to the Desk Frame with Screws **(2)\*4**.

**Note:** Screws are only tightened **50%**.

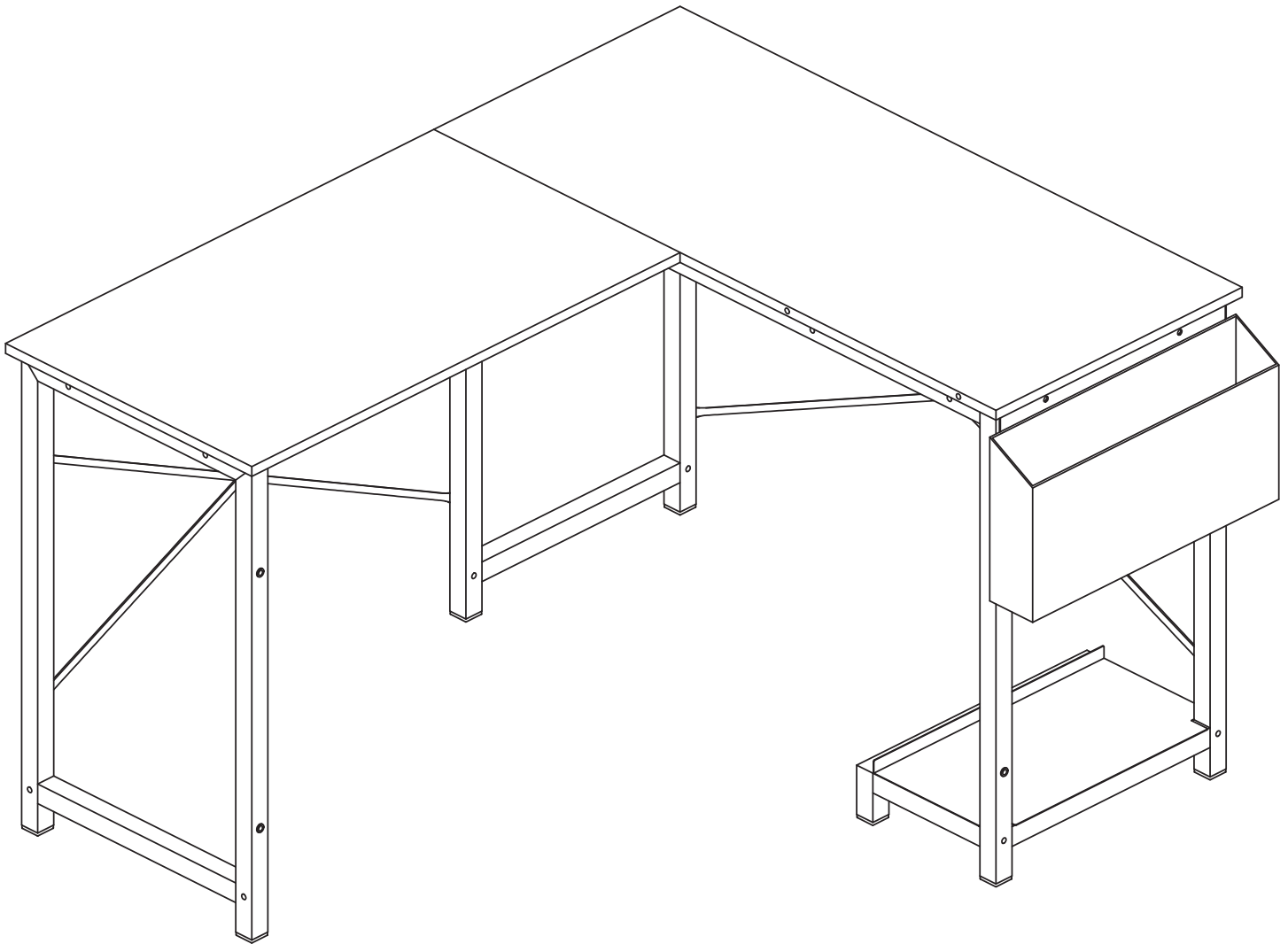
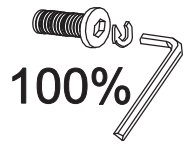
## Step 13

		
1x2	3x2	8x2



Attach Felt Bag (**L**) to the Leg (**A**) with Screws (**3**)\*2.  
Attach Stand (**K**) to one of the three Legs (**A&B&C**) with  
Screws (**1**)\*2. Then use Cover-up Sticker (**8**)\*2 to cover  
the exposed screw holes on the Board.

## Step 14



**100%** Tighten all screws before using the Desk, including Screws **(4)\*2**, Nuts **(5)\*2** and Screws **(2)\*11**.

