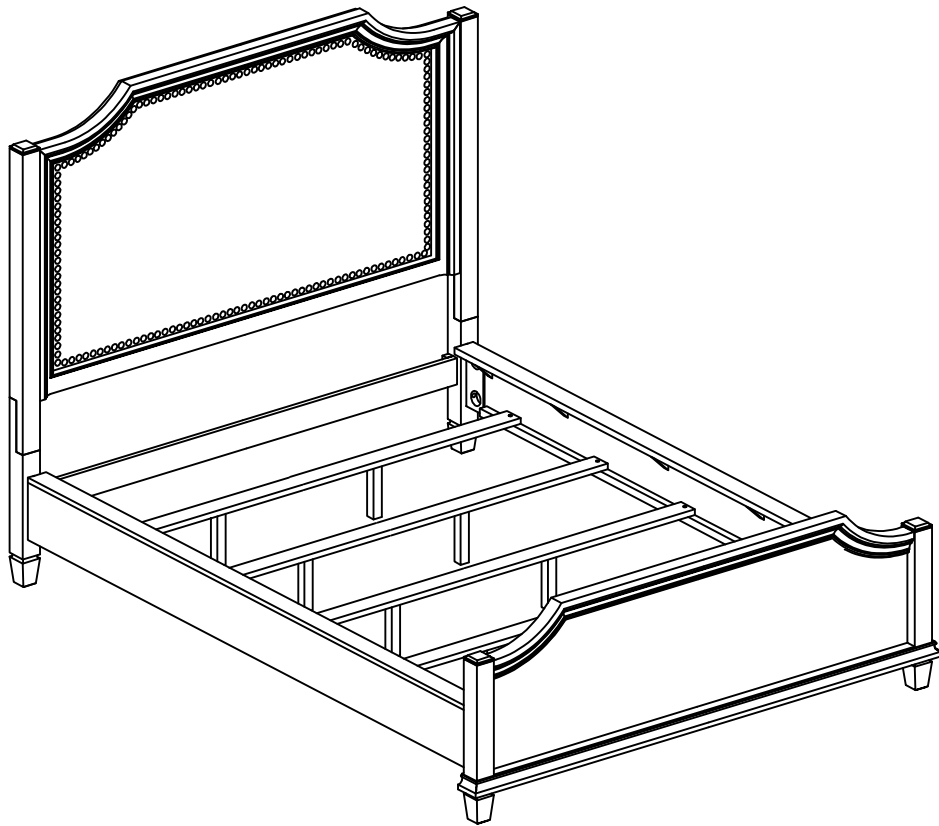


Assembly Instructions



ASSEMBLY RATING

The Assembly Rating is a 5-point system that shows the degree of effort needed in assembling a specific product (with 1 being easy and 5 being difficult). For some products, two persons are recommended.

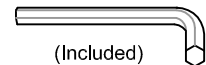
EASY



DIFFICULT

Tools Required For Assembly:

Allen Wrench

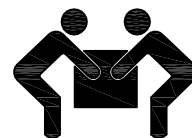


(Included)

Phillips Screwdriver



(Not Included)

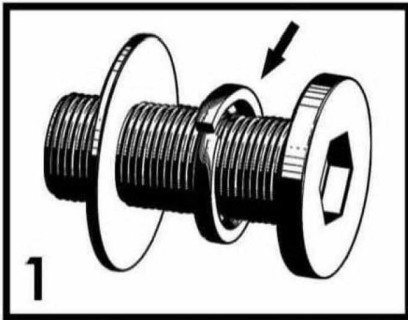


2 PERSONS RECOMMENDED

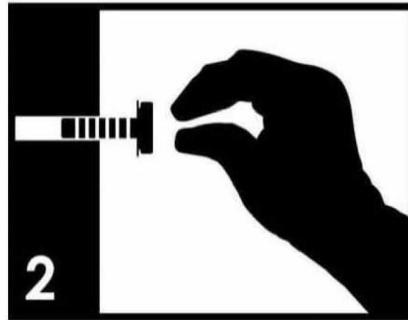
ASSEMBLY & CARE ADVICE

FOR YOUR FURNITURE TO LAST, CORRECT ASSEMBLY AND PROPER MAINTENANCE ARE NECESSARY. PLEASE FOLLOW THE INFORMATION PROVIDED BELOW TO FULLY ENJOY YOUR FURNITURE.

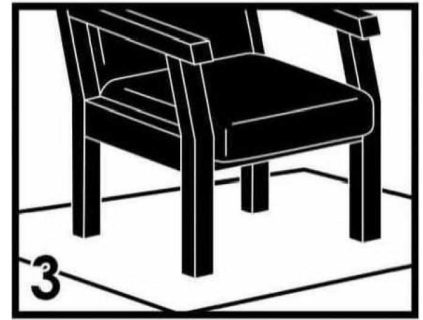
BASIC ASSEMBLY TECHNIQUES



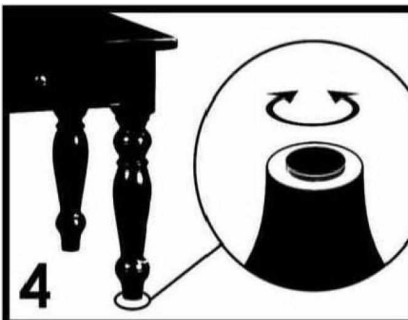
When lock or spring washer is used in an assembly, please make sure the lock or spring washer is placed between the larger flat washer and the head of the screw or bolt.



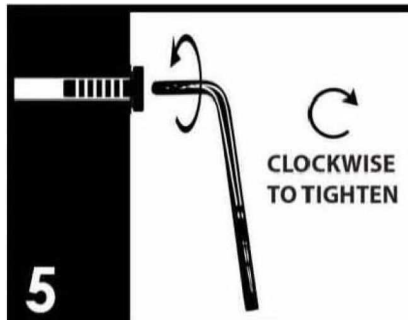
Position each part correctly and insert screws or bolts into their respective holes by hand tighten or using the proper hand tool. Only tighten when step is completed or when instructed to do so.



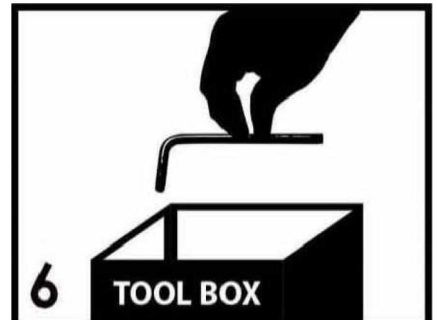
Use cardboard or carpet area when assembling furniture to prevent scratches. Make sure the furniture rests on a flat and level surface with each leg evenly touching the floor.



Some furniture comes with height adjustment knobs underneath each leg. To lower or to raise each leg, you need to turn clockwise or counterclockwise, respectively.

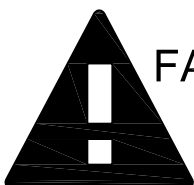


Make sure all parts are properly aligned, then use the appropriate hand tool to completely tighten the bolts or screws. Do not use power tools and do not overtighten.

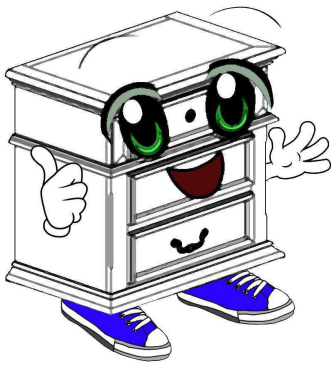


Save the instructions and store the Allen wrench or any supplied tool for later maintenance. After two weeks, check and tighten any loose hardware and repeat again every six months thereafter.

IT IS THE USER'S RESPONSIBILITY TO MAINTAIN THE FURNITURE. THE HARDWARE MAY LOOSEN OVER TIME AND MAY CAUSE THE FURNITURE TO BE WOBBLY AND UNABLE TO SUPPORT ITS INTENDED WEIGHT CAPACITY. THIS MAY LEAD TO COLLAPSE AND MAY CAUSE SERIOUS INJURY.



FAILURE TO FOLLOW THE GUIDELINES ABOVE MAY RESULT IN INJURY AND/OR PROPERTY DAMAGE.

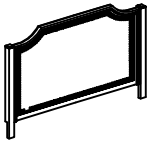


Before you begin, please read Page 2 of "Assembly and Care Advice".

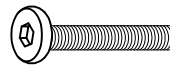
And remember, do not tighten until each step is completed or instructed.

Parts List

Hardware List



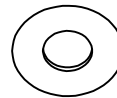
#1 x 1pc
Headboard



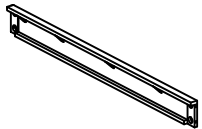
#A x 8pcs
Bolt 5/16 x 2"



#2 x 1pc
Footboard



#B x 8pcs
Flat Washer(Ø5/16)



#3 x 2pcs
Side Rail



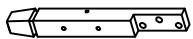
#C x 8pcs
Lock Washer(Ø5/16)



#4 x 1pc
Headboard Leg Support



#D x 8pcs
HangerBolt(Ø5/16x75)



#5 x 2pcs
Legs L/R



#E x 8pcs
Side Rail Bracket



#6 x 5pcs
Slat



#F x 8pcs
Hex Nut (Ø 5/16 x 6)



#7 x 10pcs
Slat Support Leg



#G x 1pc
Allen Wrench



#L x 10pcs
Wood screws(1/4X30)

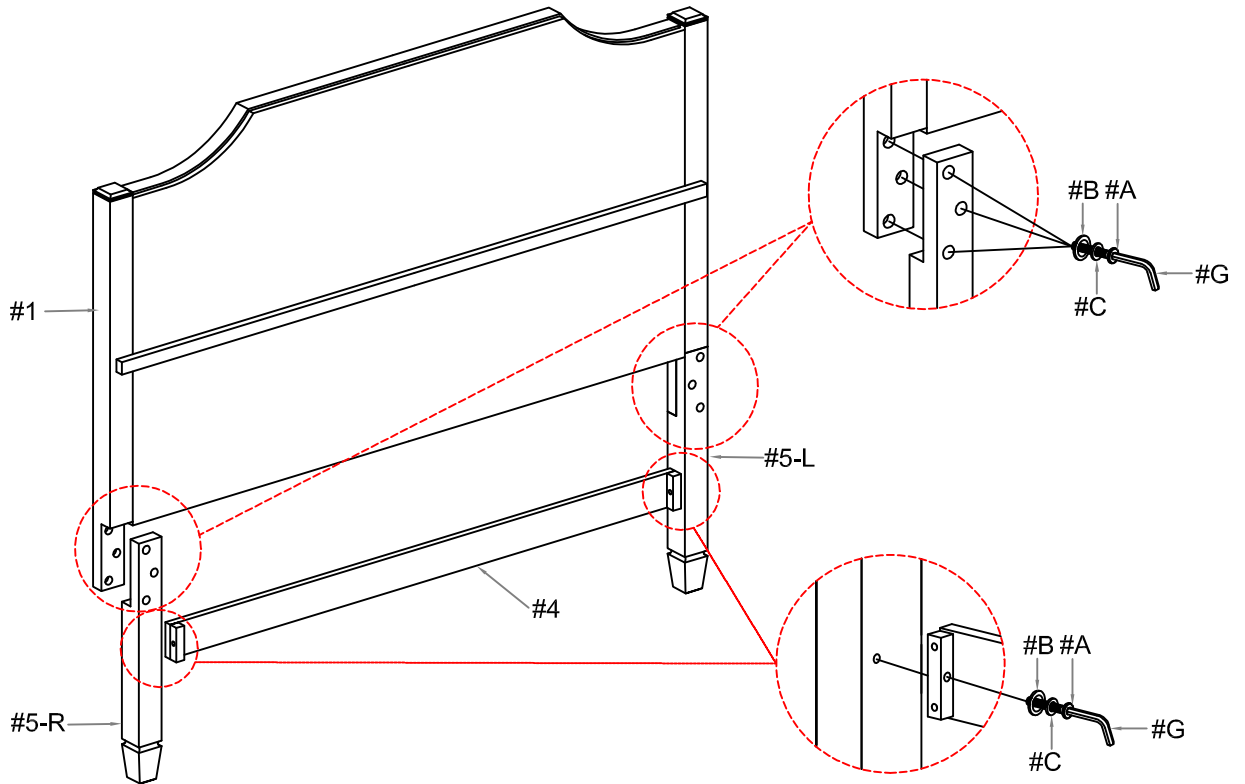


#H x 1pc
Wrench



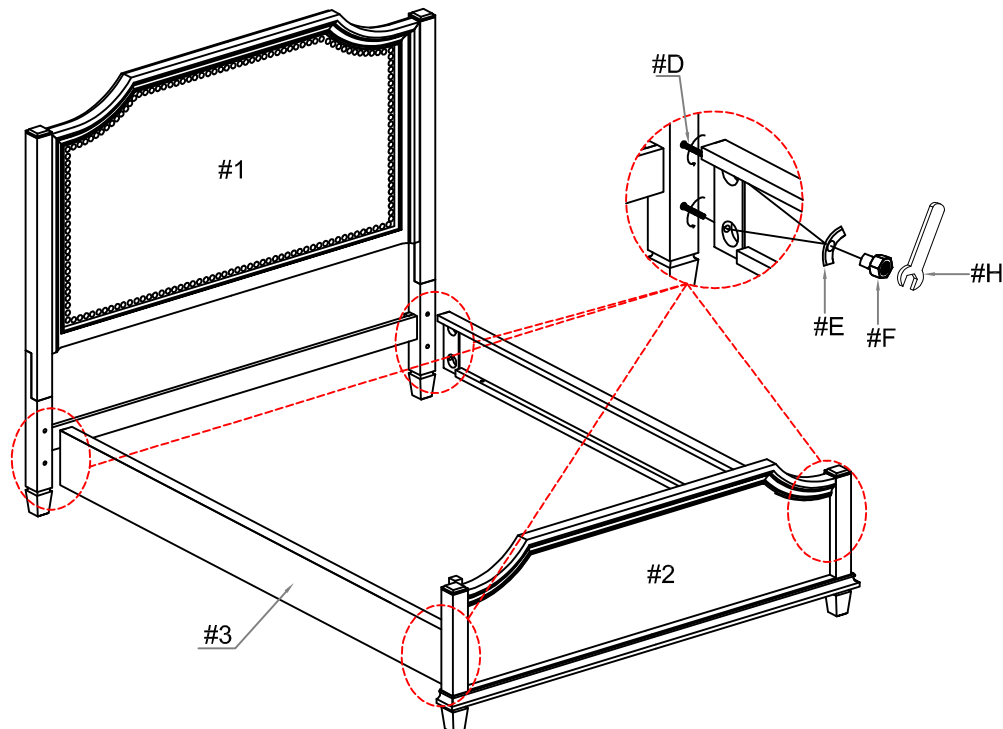
- I. Carefully place the headboard (#1) onto a protected surface.
- II. Align the legs (#5R/L) to the pre-drilled holes located on the back of the headboard (#1). As you align the legs, align the headboard leg support (#4) to the pre-drilled holes along the sides of the legs.
- III. Prepare 8 bolt assemblies by FIRST inserting the lock washer (#C) onto the bolt (#A) then the flat washer (#B) onto that SAME bolt (#A), in that order. Insert 3 bolt assemblies into each leg and one on each end of the leg support. Secure using the Allen wrench (#G).

#A x 8 pcs
#B x 8 pcs
#C x 8 pcs



- I. Insert 2 hanger bolts (#D) into each the headboard legs and footboard ends (#2). Turn right to tighten.
- II. Insert the the other ends of the hanger bolts (#D) into the pre-drilled holes on the ends of the side rails (#3).
- III. From within the side rails (#3) insert a side rail bracket (#E) and then a hex nut (#F) onto the hanger bolts. Secure using the wrench (#H).

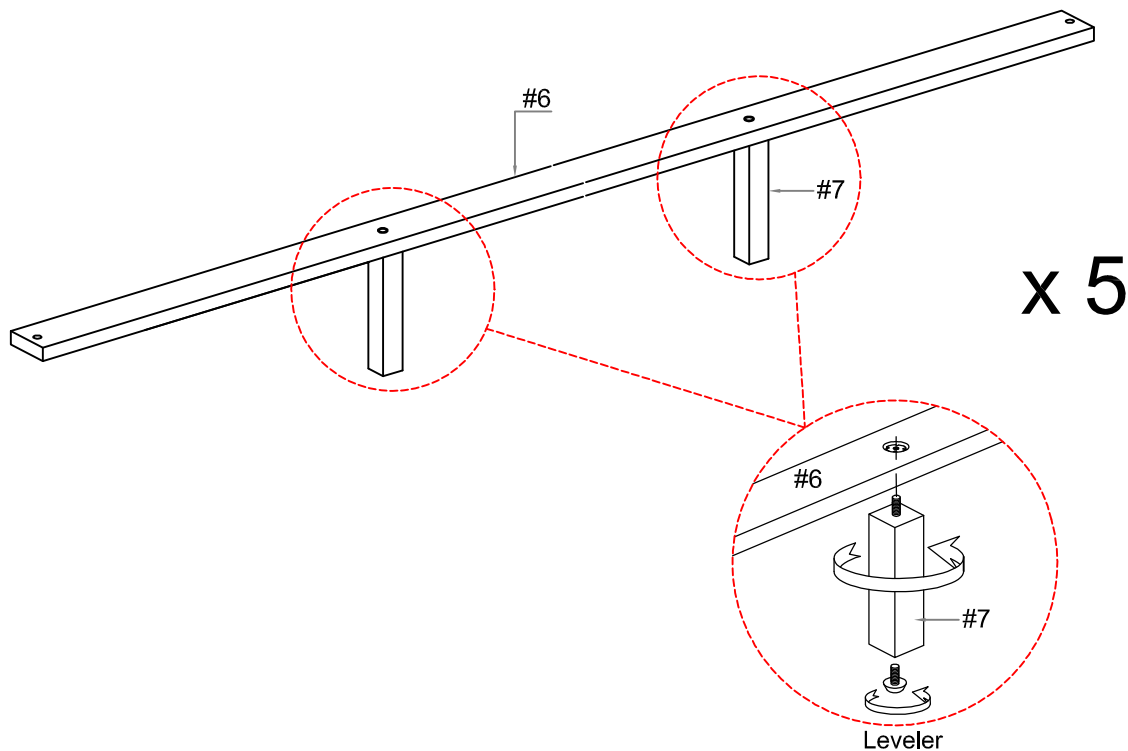
#D x 8 pcs
#E x 8 pcs
#F x 8 pcs





#3

Insert the threaded ends of the slat support legs (#7) into the two pre-drilled holes on each slat (#6). Turn right to tighten and level to ground.



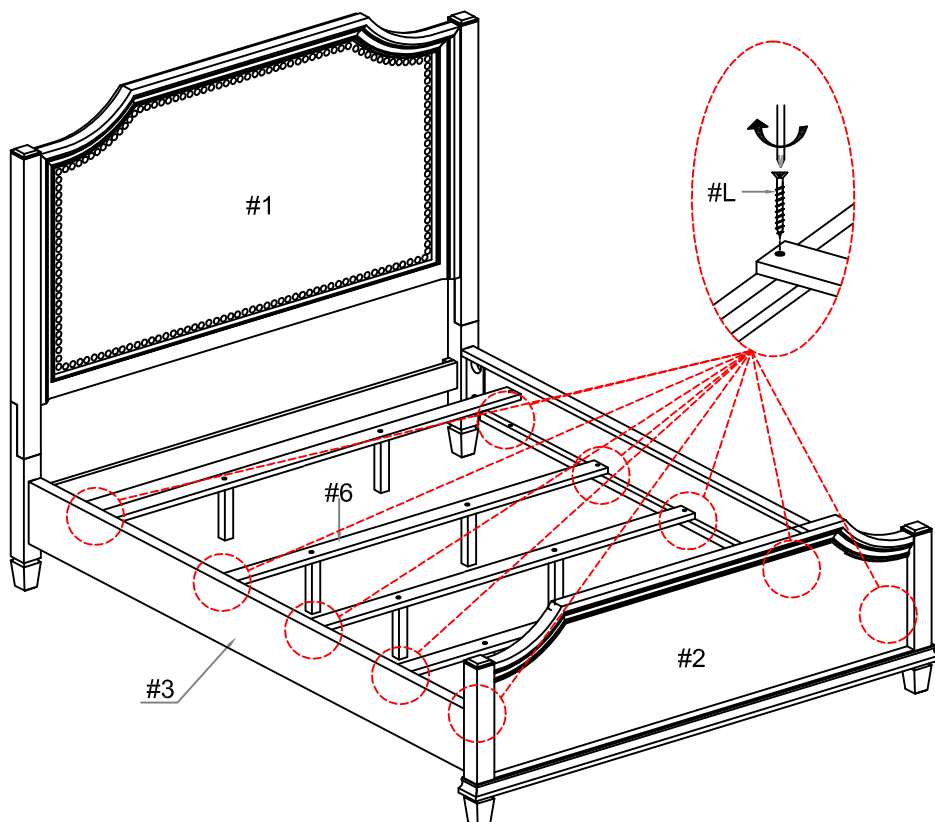
x 5



#4

Align the ends of the slats (#6) to the pre-drilled holes along the sides of the side rails (#3). Insert a screw (#L) into each end and secure using a Phillips screwdriver.

#L x 10 pcs



ASSEMBLY IS COMPLETED