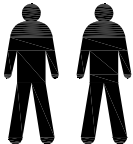
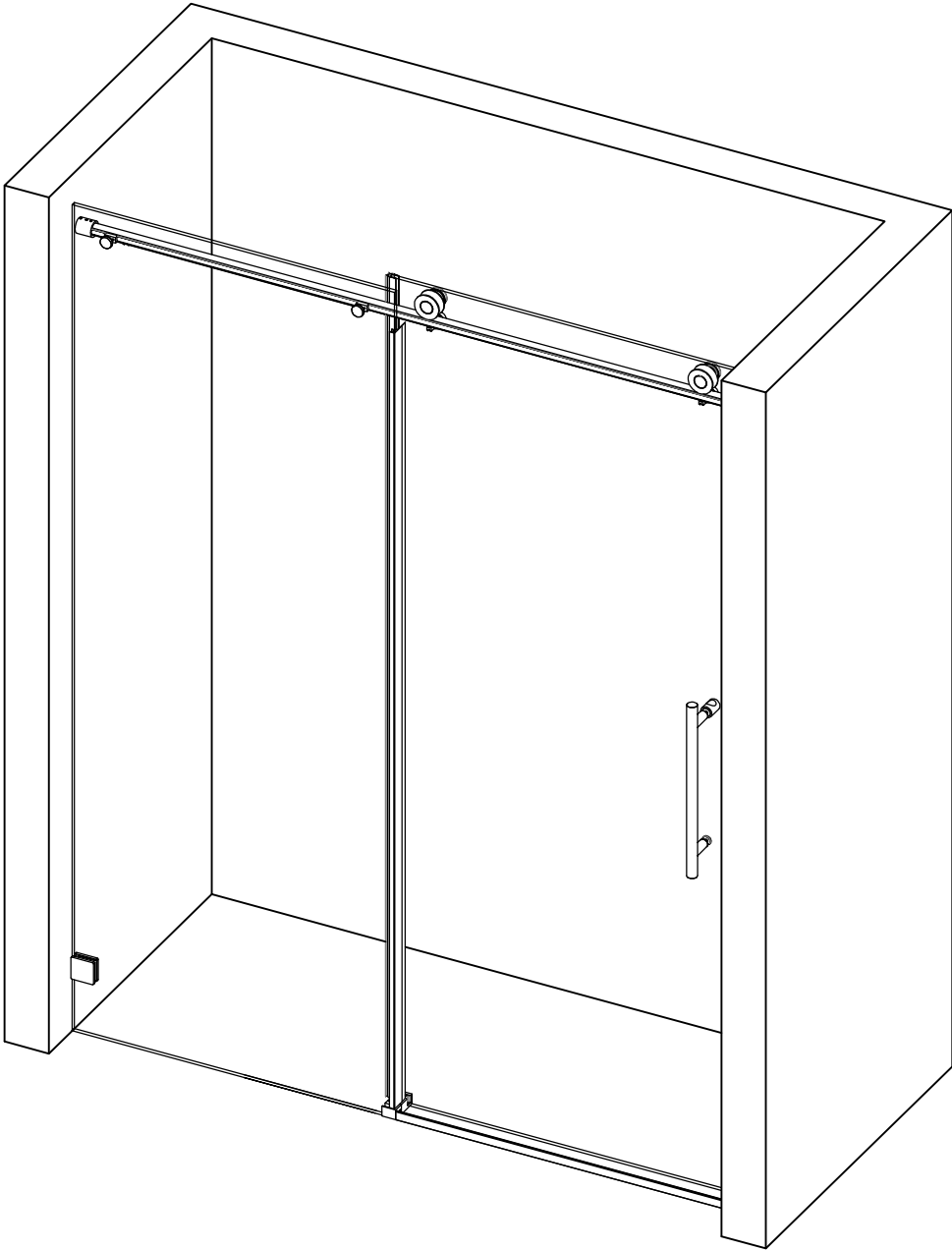


INSTRUCTION MANUAL

Customer Service:
470-926-8618
321-946-6293



2 PEOPLE REQUIRED

Please keep this manual and product code number for future reference and for ordering replacement parts if necessary.

GENERAL INSTRUCTIONS

- Read this manual carefully and completely before proceeding.
- It is recommended that you wear safety glasses at all times during the installation.

INSTALLATION OVER CERAMIC TILES

- If your shower door is to be installed over ceramic tiles, the tiles should lay completely under the wall jamb.
- Silicone should be used to seal the gap where the ceramic tiles meet the fixed panel.

Door sweep

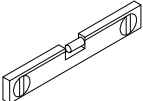

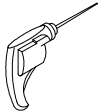
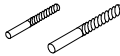

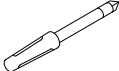
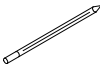
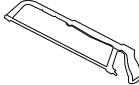
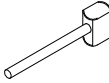

NOTICE

- Caulking : no sealant is required inside the shower, unless otherwise stated.
- Some models are equipped with clear sealing gaskets.

CARE FOR YOUR SHOWER DOOR

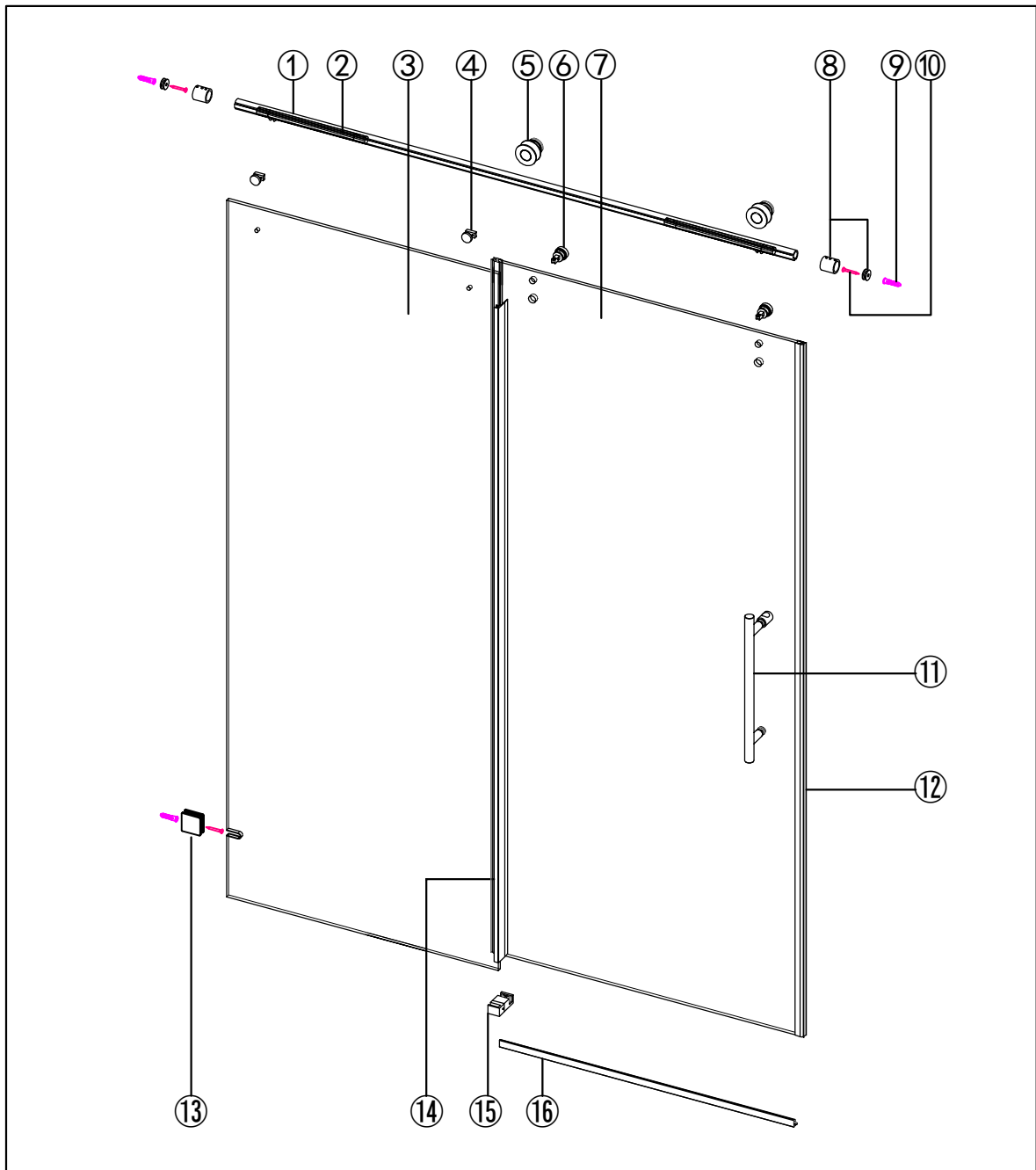
- Never use scouring powder pads or sharp instruments on metal pieces or glass panels.
An occasional wiping down with a mild soap diluted in water is all that is needed to keep the panels and metal parts looking new
- We recommend wiping the glass panels with a squeegee after each use.

Tools Required

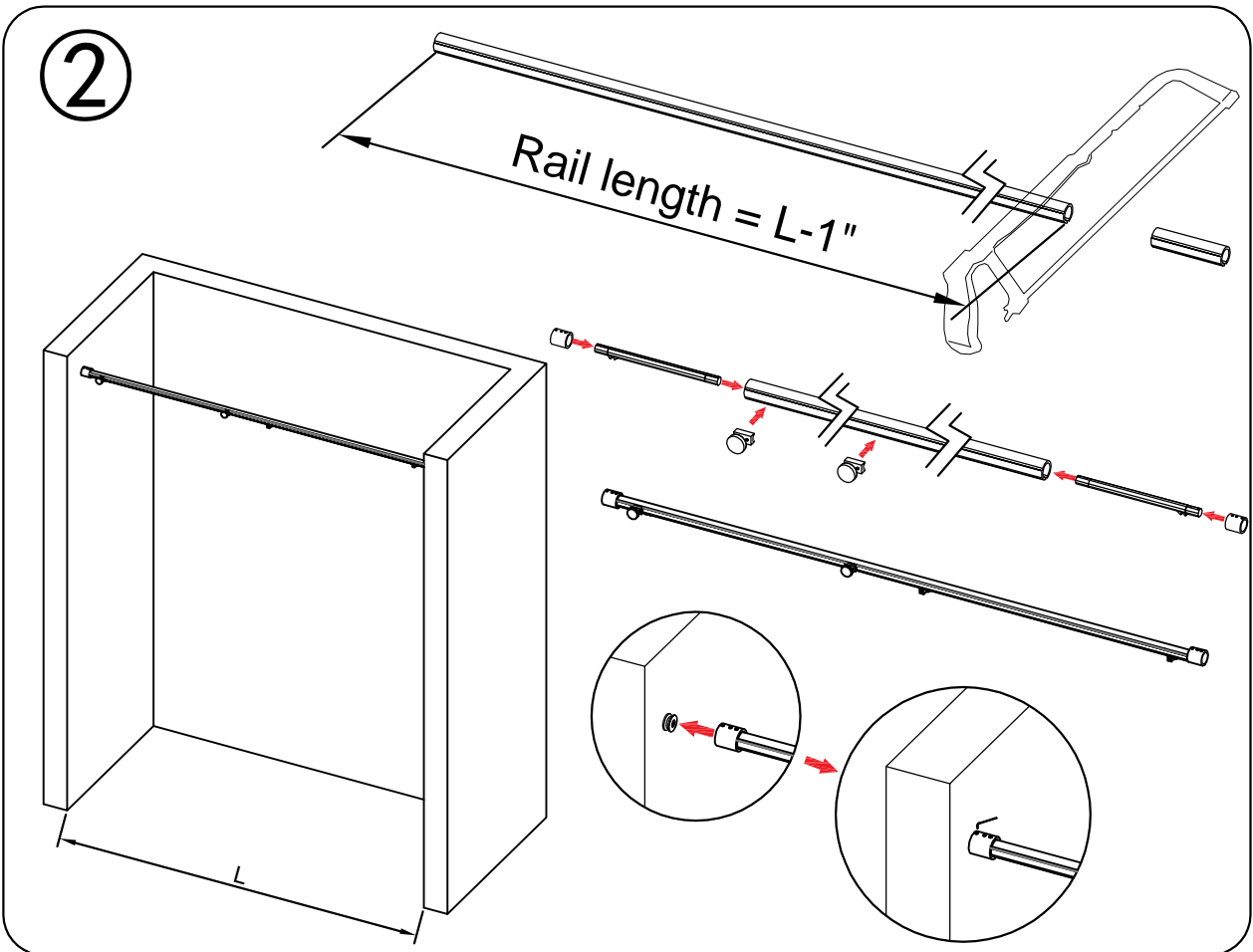
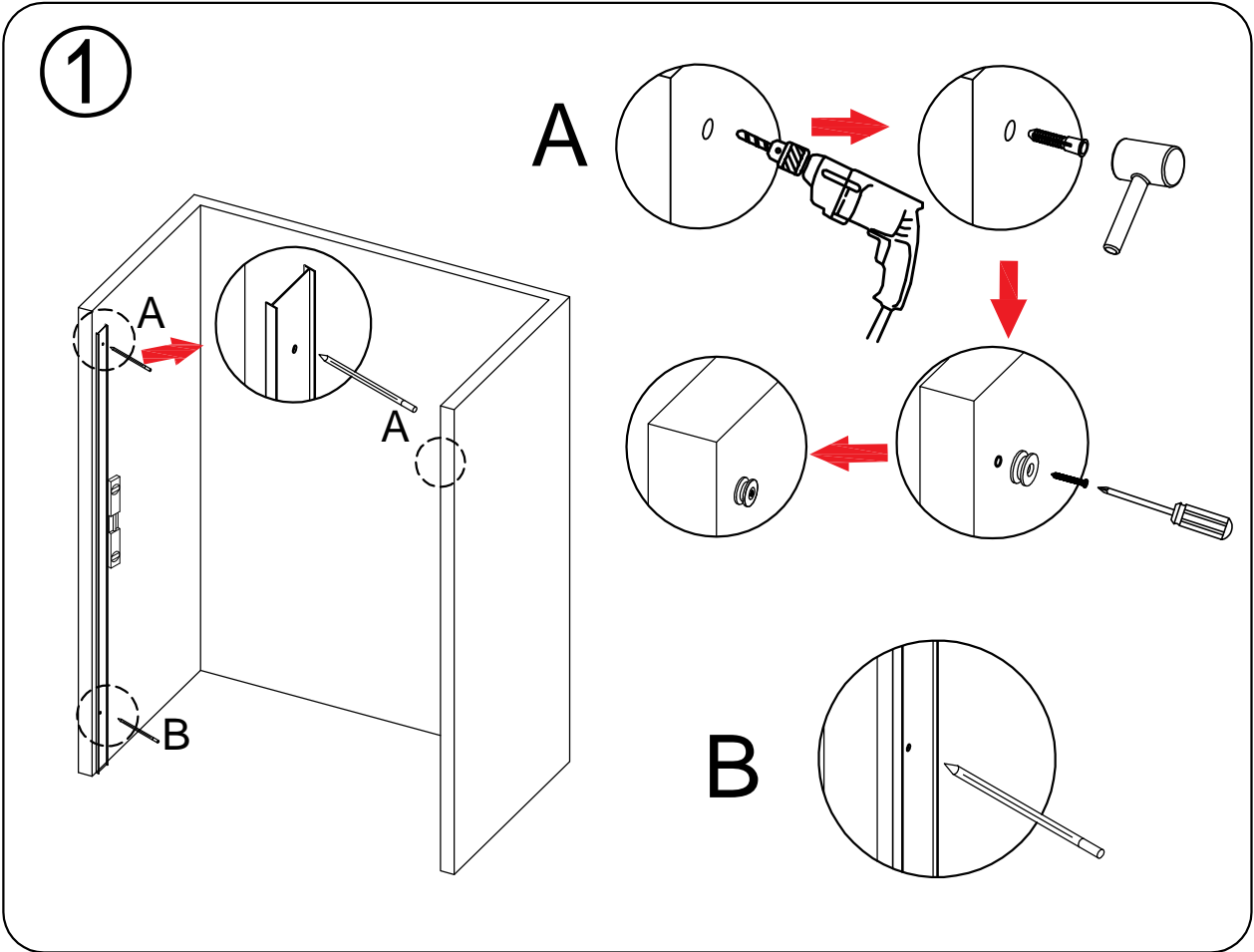
 Spirit level	 Tape measure	 Power drill	 Drill Bits	 Silicone Gun
 Screw driver	 Pencil	 Hacksaw	 Rubber hammer	 Safety glasses

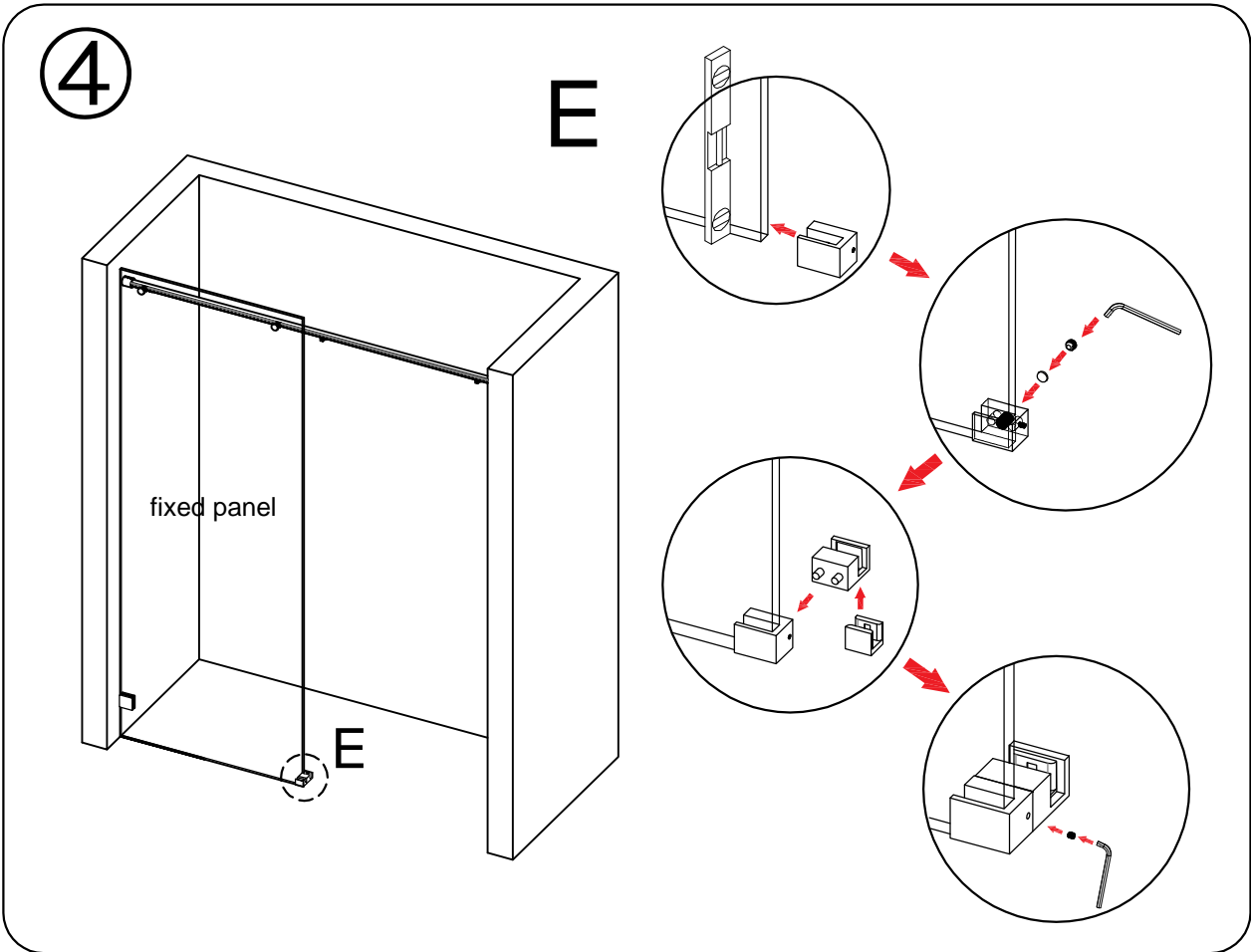
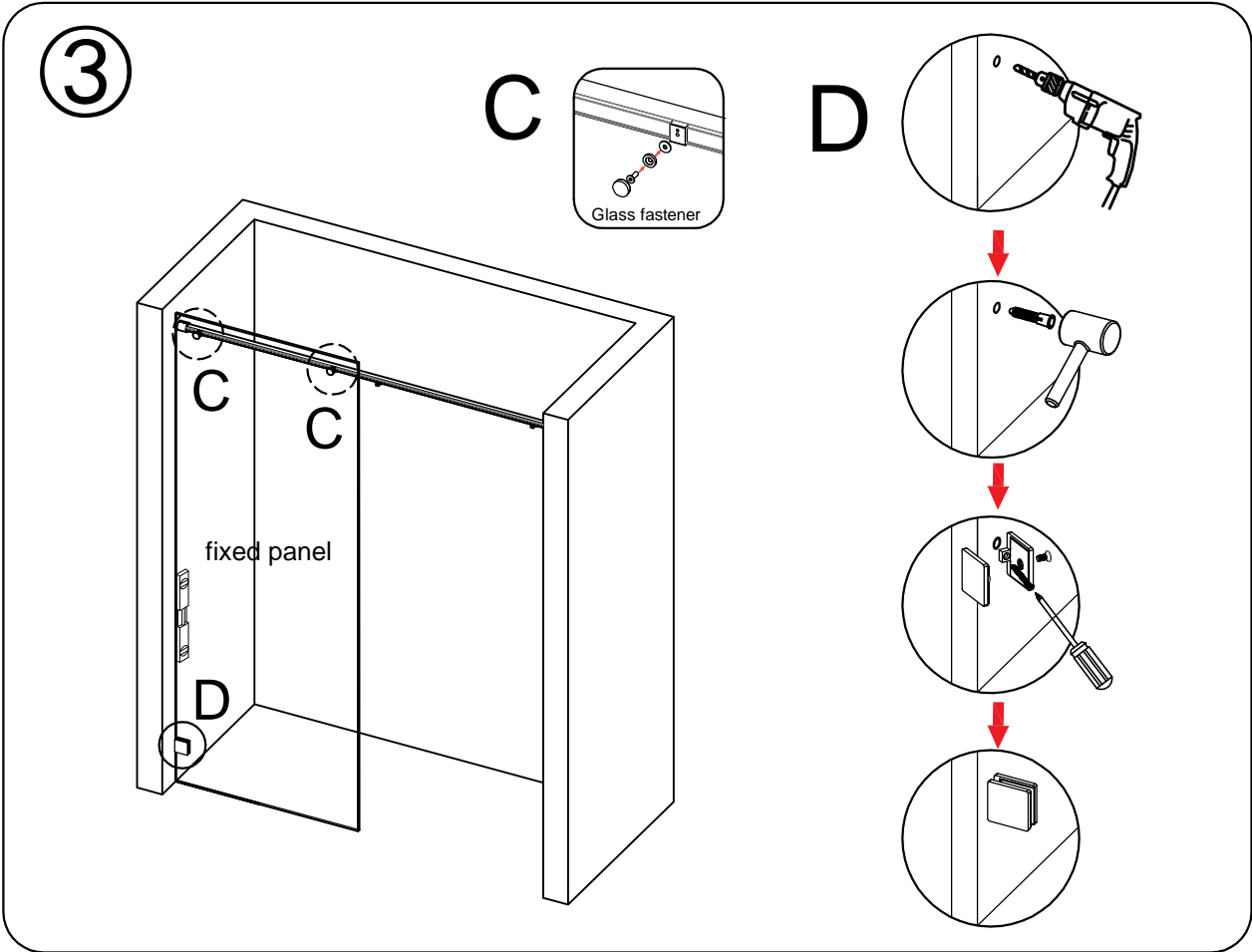
Product specifications are subject to change without notice

Detailed Diagram of Shower Enclosure Components

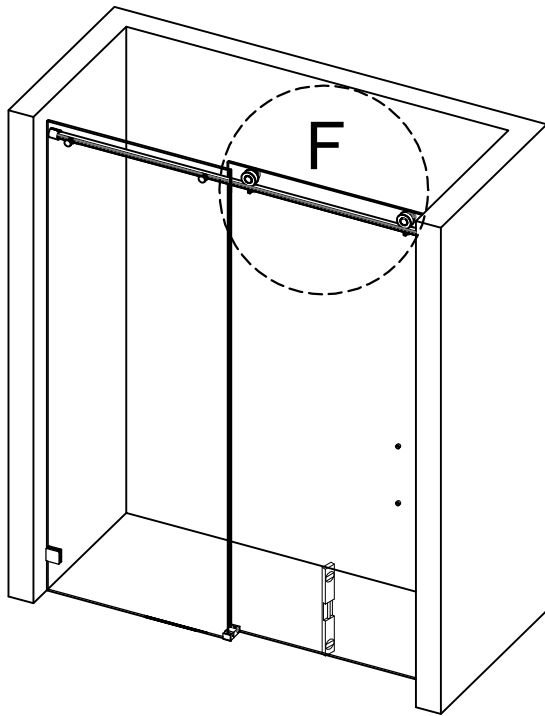


NO.	Name	Picture	Qty	NO.	Name	Picture	Qty
1	Guide Rail		1	9	8mmWall Plug		3
2	Rectangle Damper		2	10	Screw ST5x40		3
3	Fixed Panel		1	11	Handle		1
4	Glass Fastener		2	12	Door Seal		2
5	Roller		2	13	Wall Mount Bracket		1
6	Anti-jumping Knob		2	14	Fixed Panel Seal		1
7	Sliding Door		1	15	Guide Block		1
8	Guide Rail Bracket		2	16	Anti-splash Threshold		1

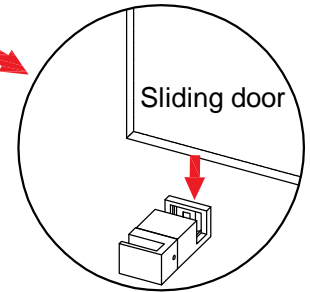
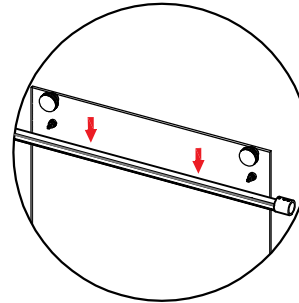
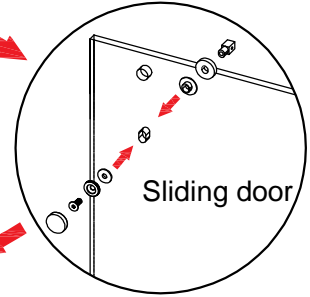
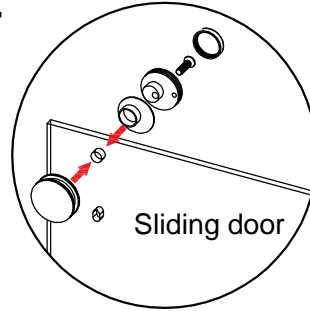




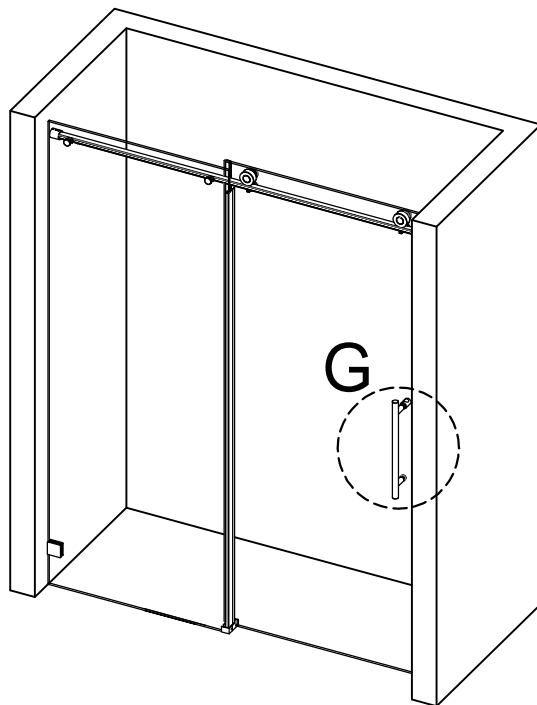
5



F



6



G

G

