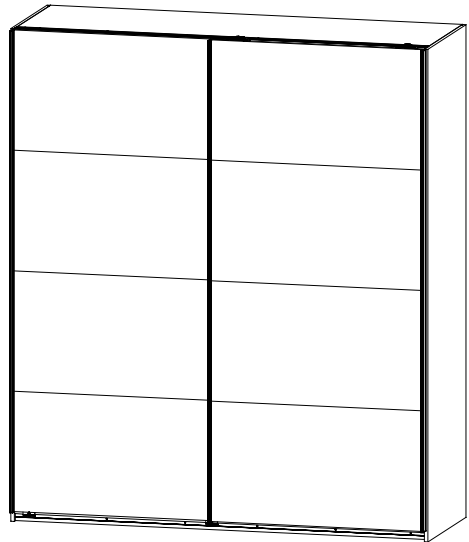
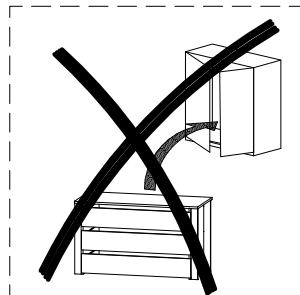
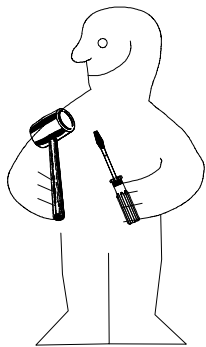
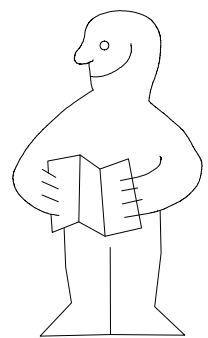
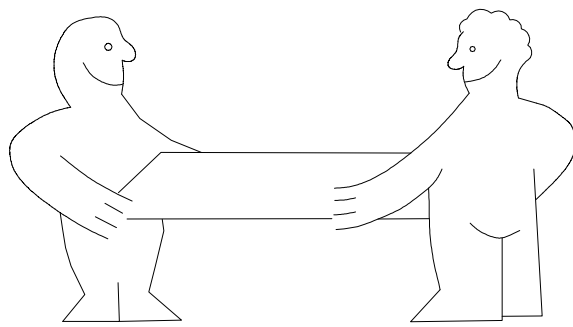
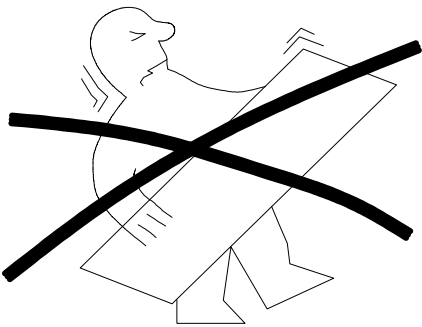


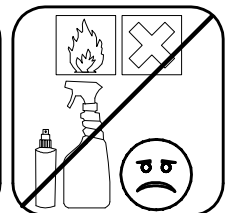
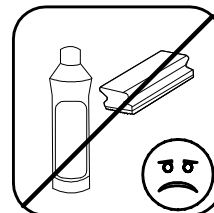
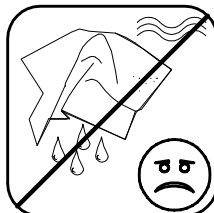
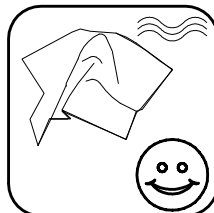
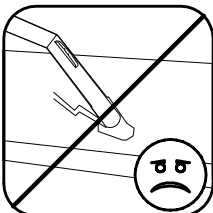
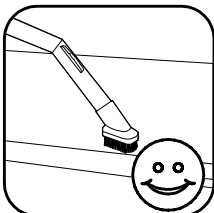
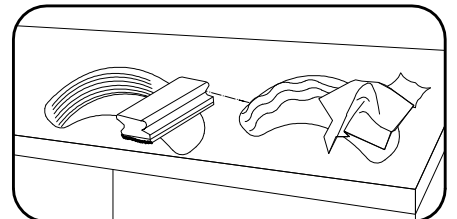
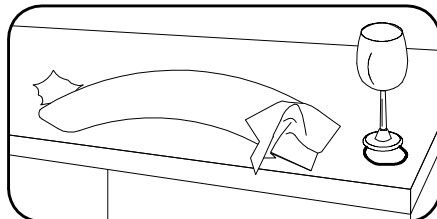
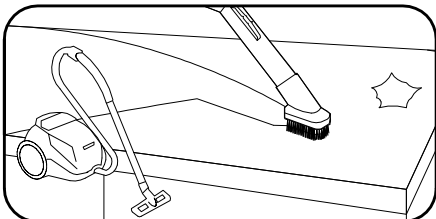
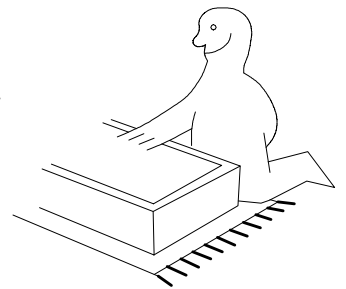
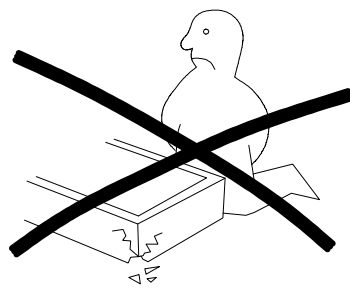
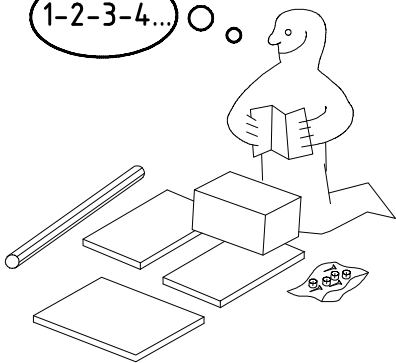
980865



H 135



1-2-3-4...

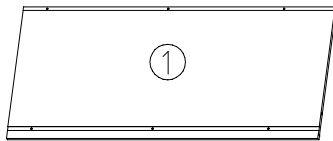
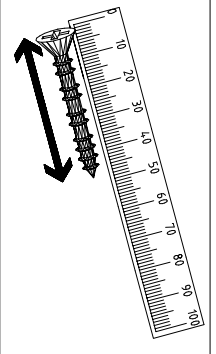
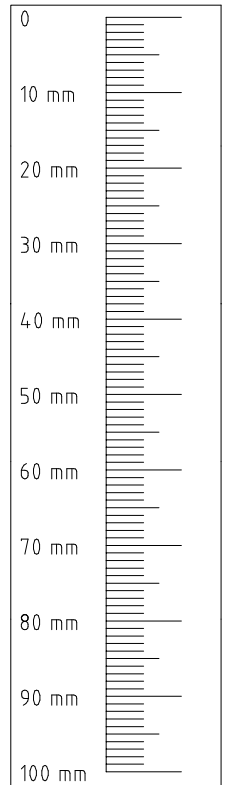
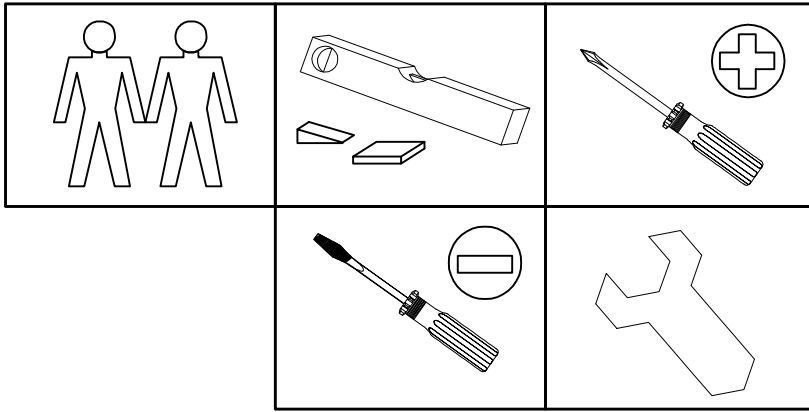


980865

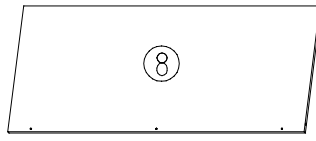
12.12.12 / 23.09.15

09 15

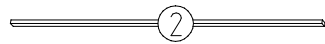
1/15



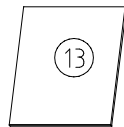
1317x560x15



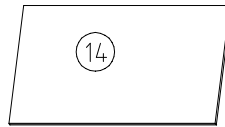
1317x560x15



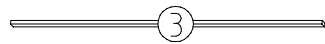
1317x32x15



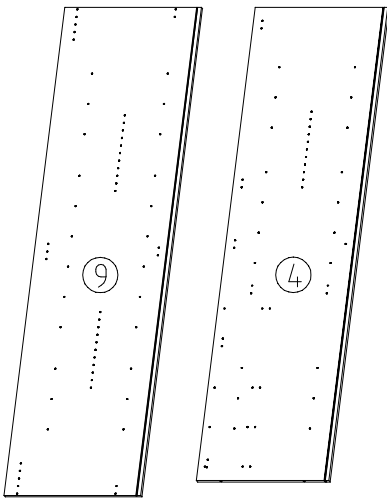
429x500x18



873x500x18

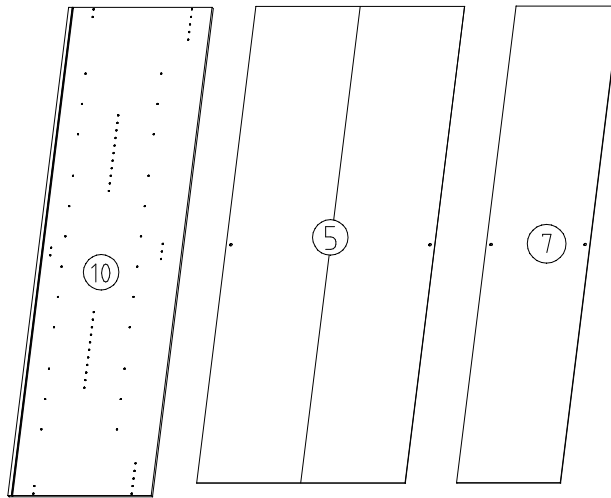


1317x32x15



2064x577x15

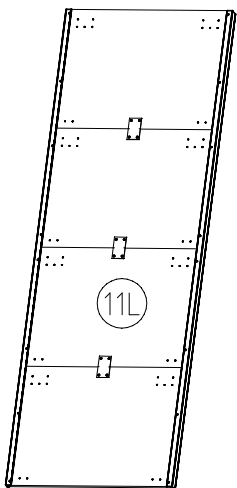
2001x560x15



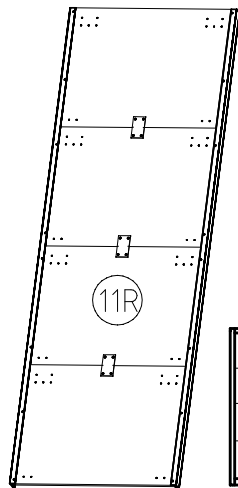
2064x607x15

2015x882x2,5

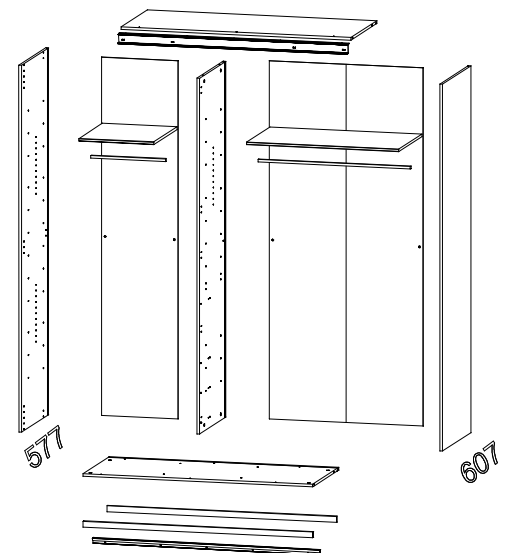
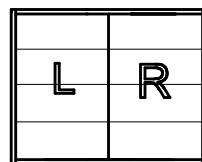
2015x438x2,5

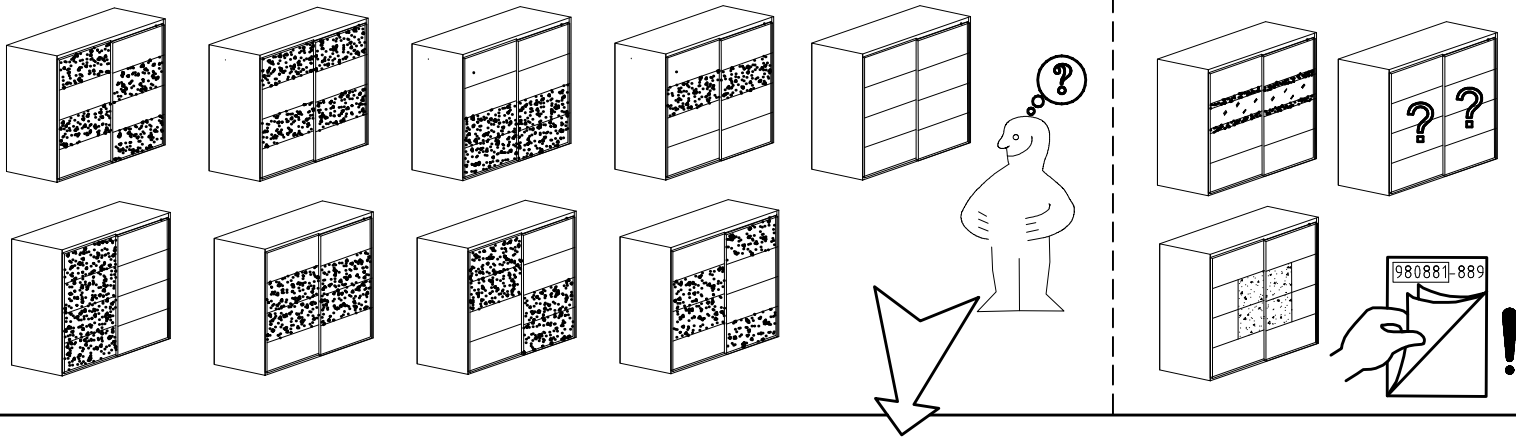


2018x694x15

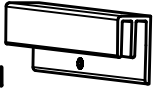


2018x694x15

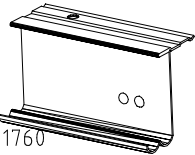




1x  
FPN  
1316/1760  
2204/2648/3092/3536



1x  
LP  
1316/1760  
2204/2648/3092/3536



	SWH1	2x
	SWH2	1x
	SWH3	1x
	SWH-D	1x

	SWH 6	2x
	SWH 7	2x
	SWH-SKL	1x
	SWH-SKR	1x

	SWH-ST	2x
	SWH-MS	2x
	6,3 x 10,5 mm T2	24x
	111 030 H5	6x

	4 X 13mm SP13	56x
	121 122 3,5 x 22 mm G24	7x
	121 004 M4 x 13 mm GH13	3x
	121 xxx M4 x 10 mm G4-3	3x

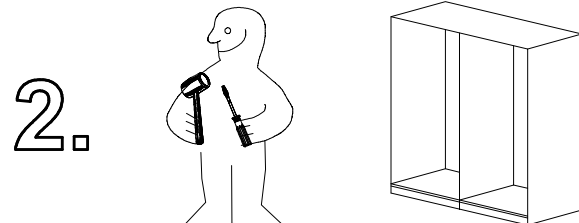
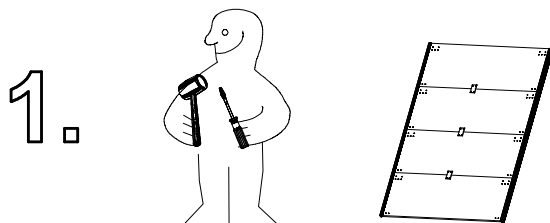
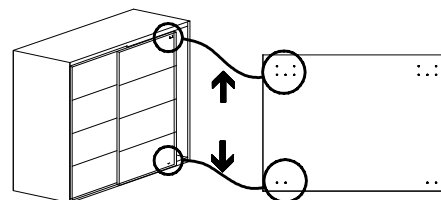
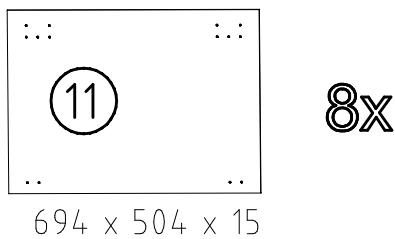
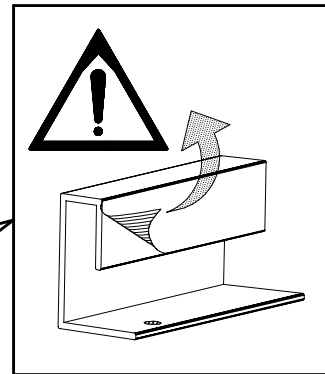
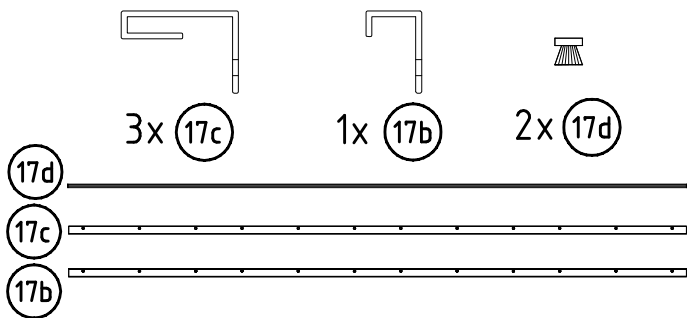
	A	12x
	C	12x

	M6 x 11 mm T6	4x
	121 181 J1	4x

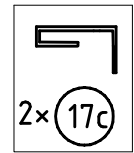
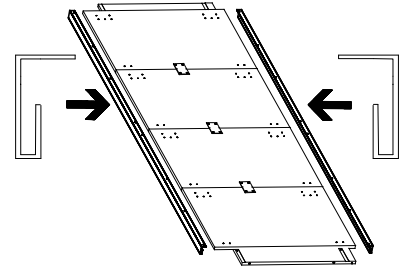
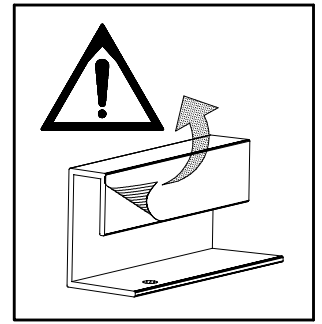
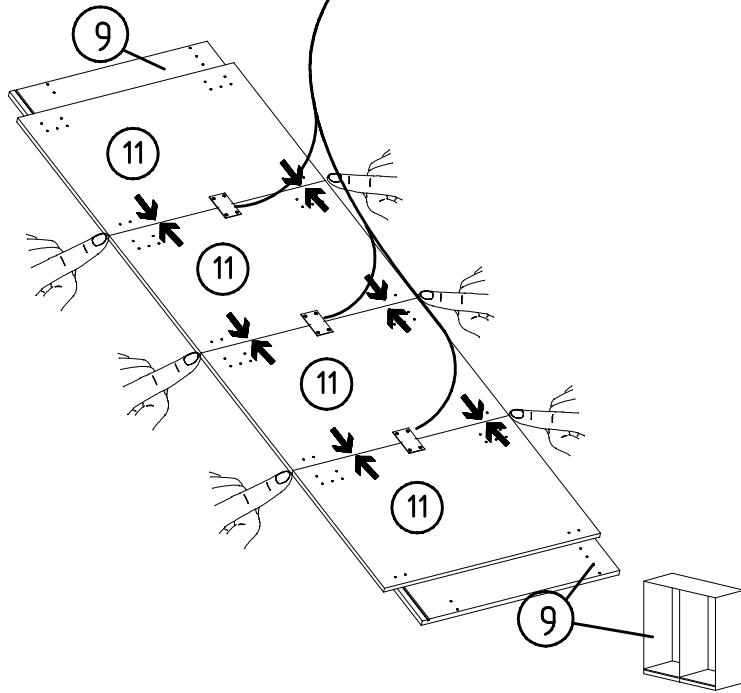
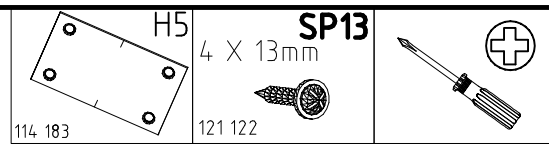
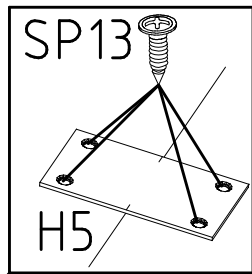
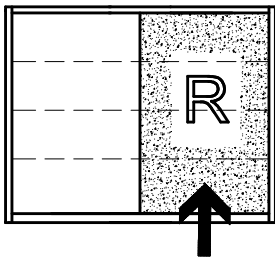
	L7	8x
	K1	4x

	870mm K20	1x
	112 402 3,5 x 15 mm G1	8x

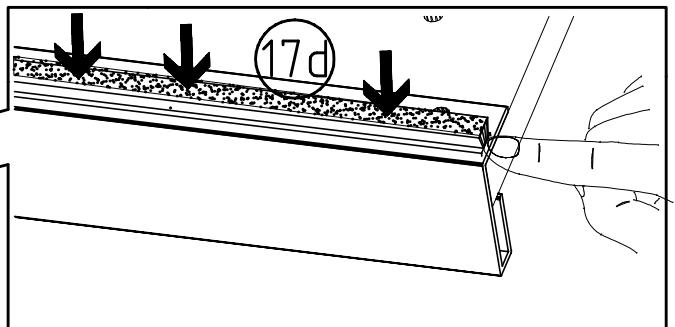
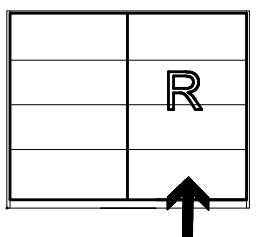
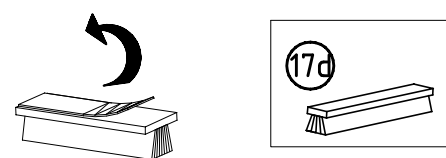
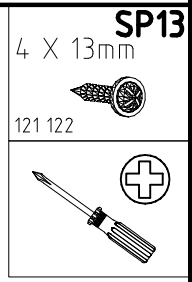
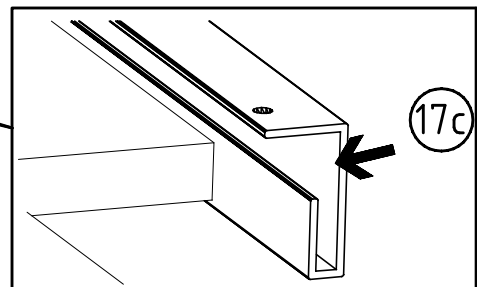
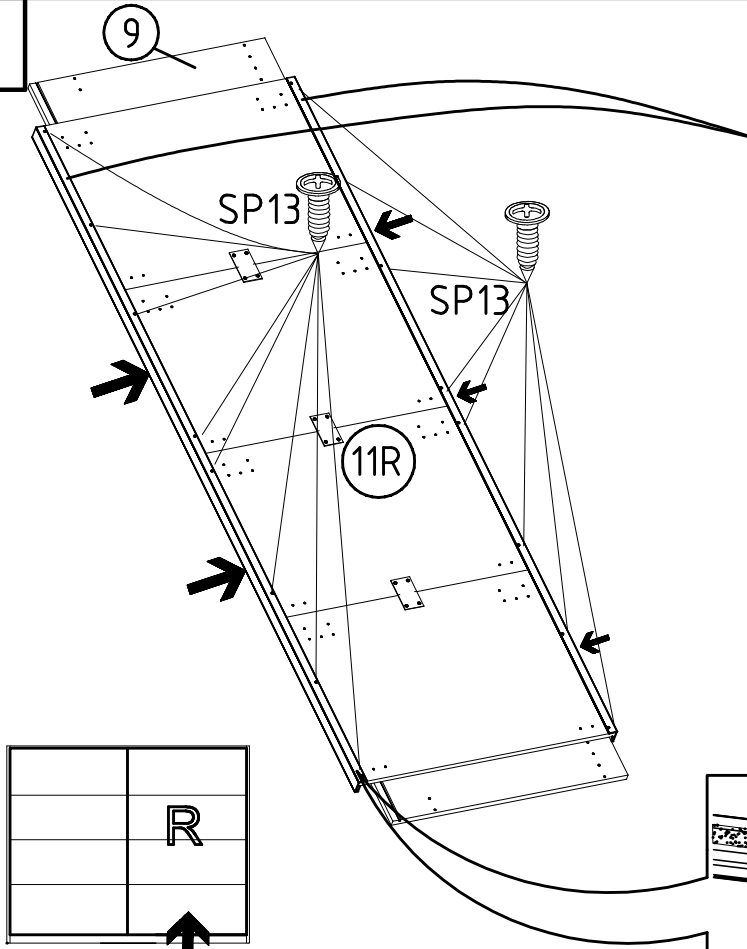
	4,24mm K21	1x
	112 403 3,5 x 35 mm G14	10x



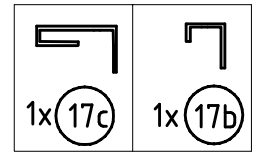
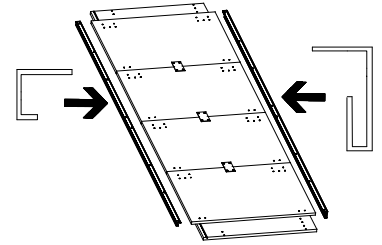
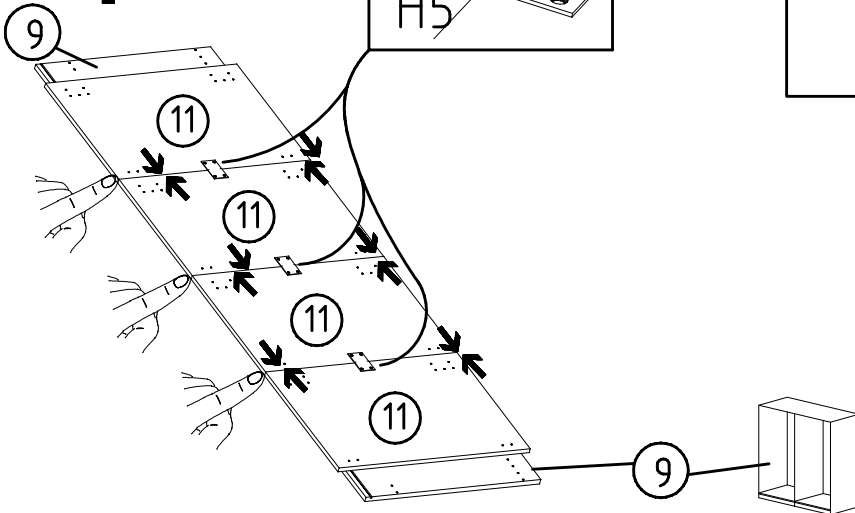
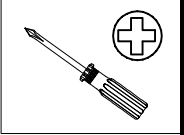
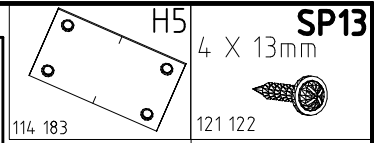
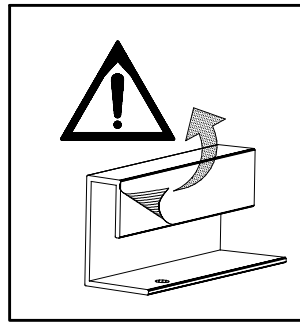
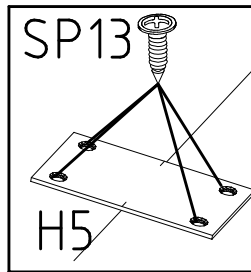
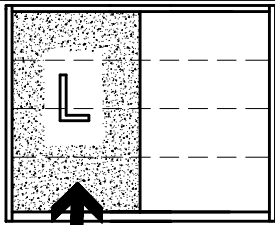
1



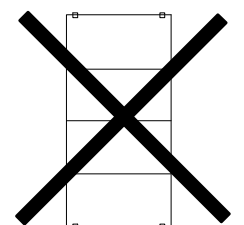
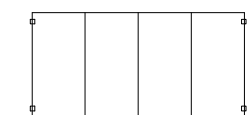
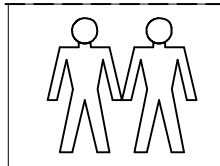
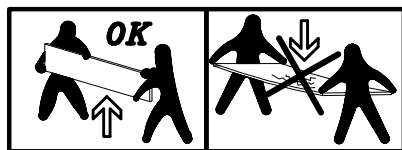
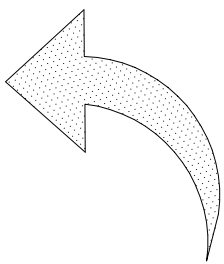
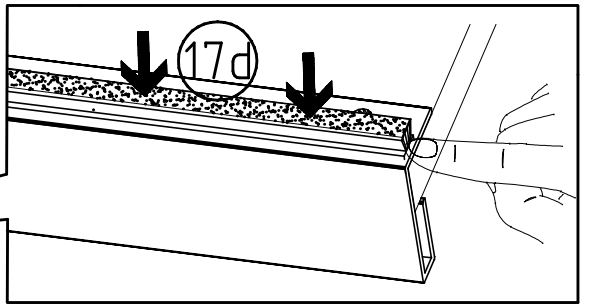
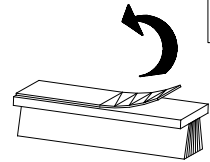
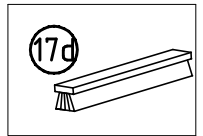
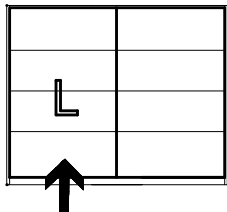
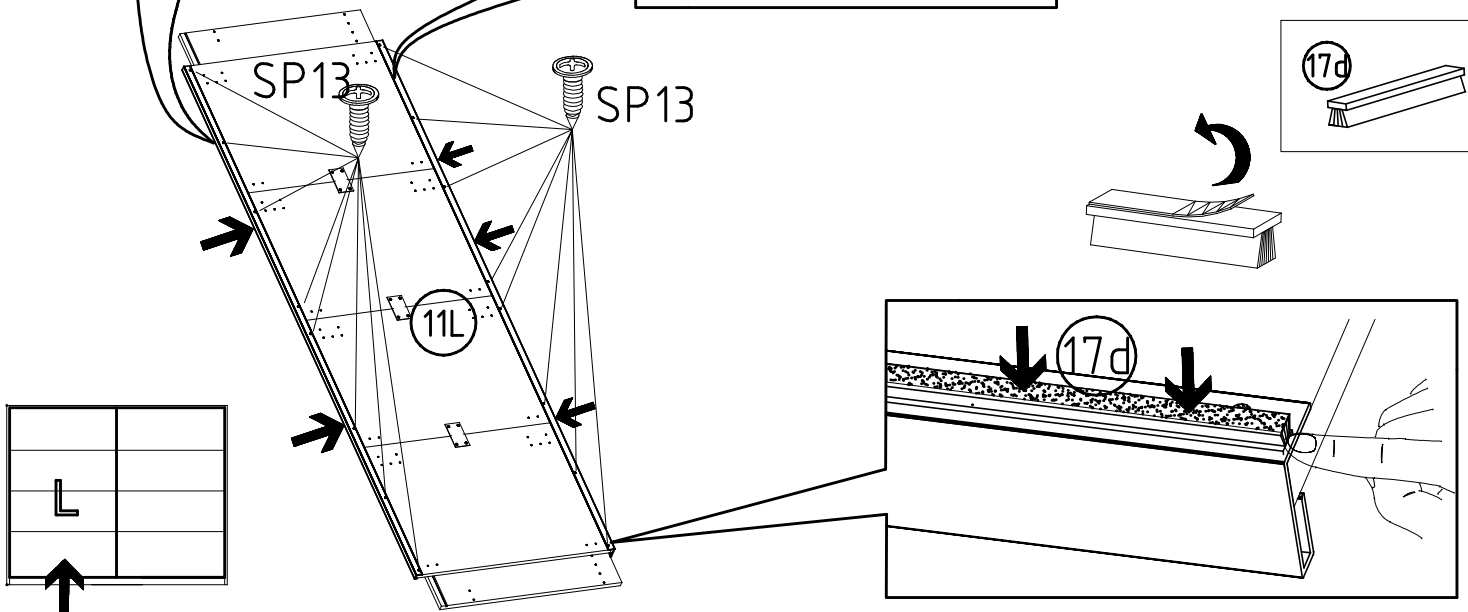
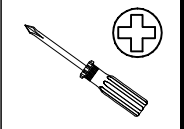
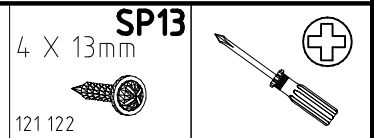
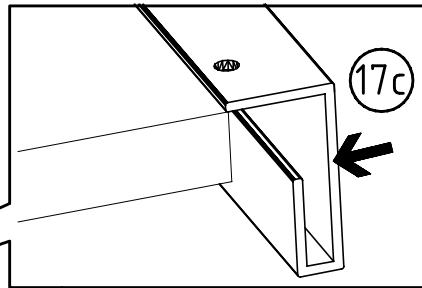
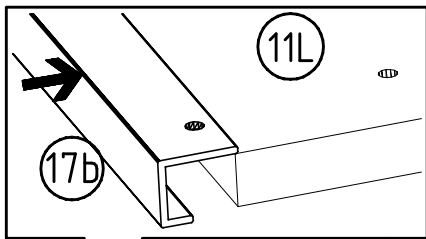
2



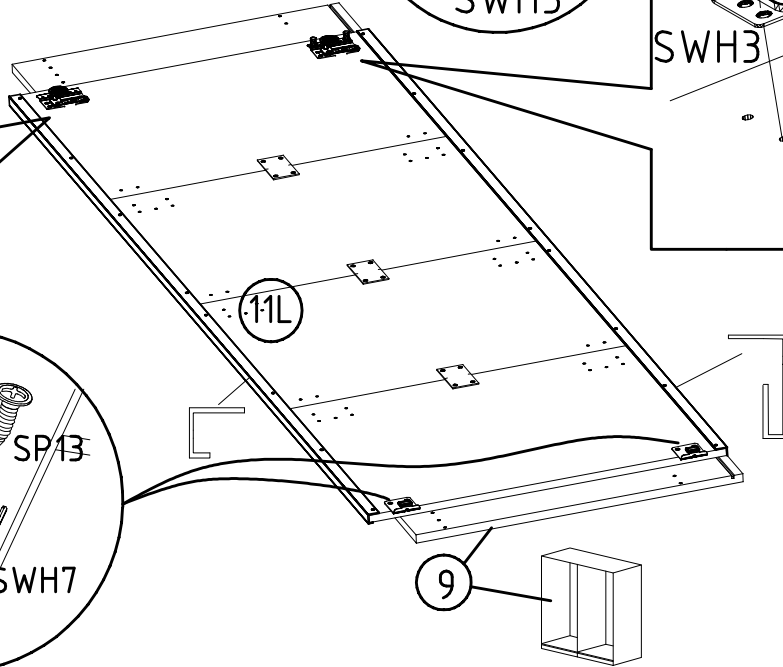
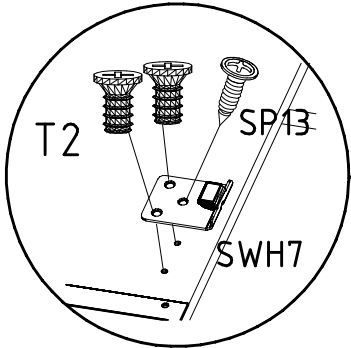
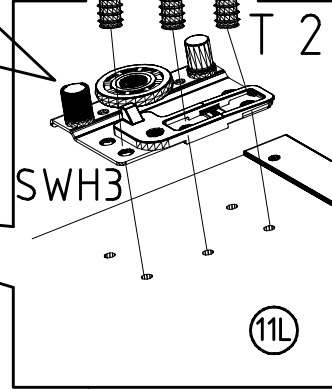
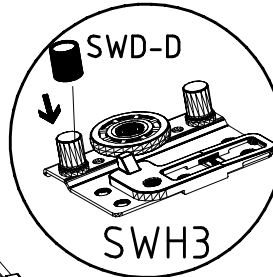
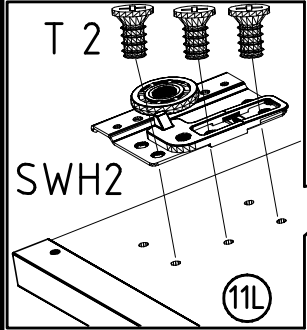
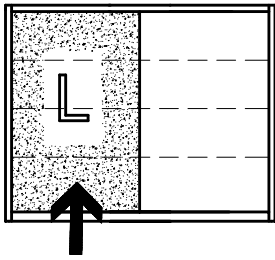
3



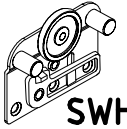
4



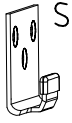
5



SWH2



SWH3



SWH7

SWH-D



6,3 x 10,5 mm T2



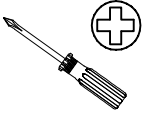
111.030

SP13

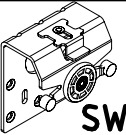
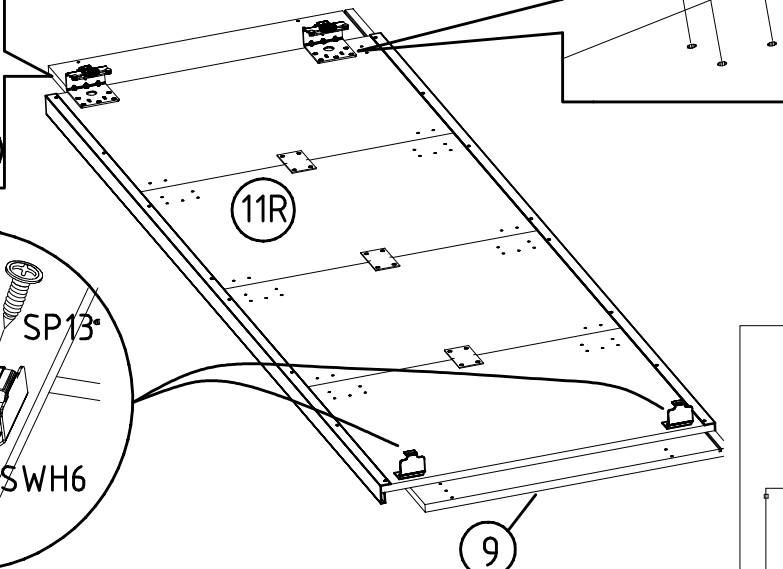
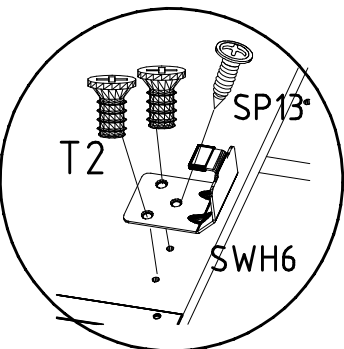
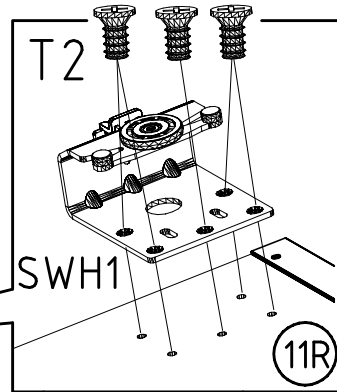
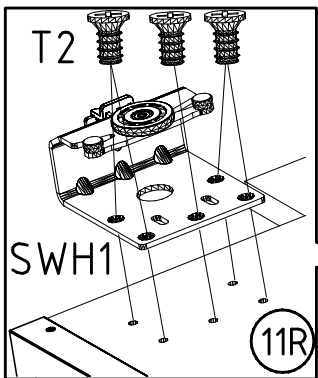
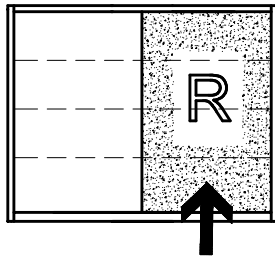
4 X 13mm



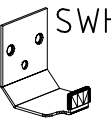
121 122



6



SWH1



SWH6

6,3 x 10,5 mm T2



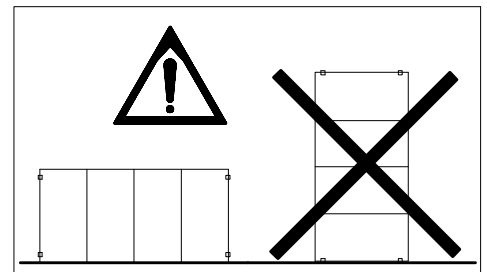
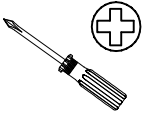
111.030

SP13

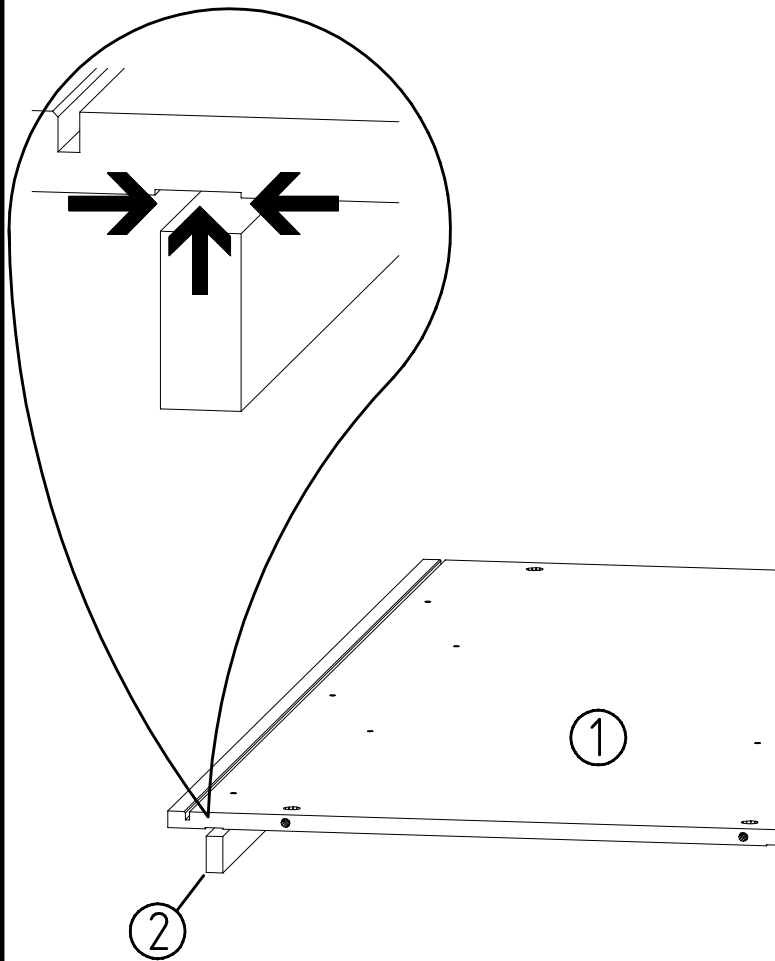
4 X 13mm



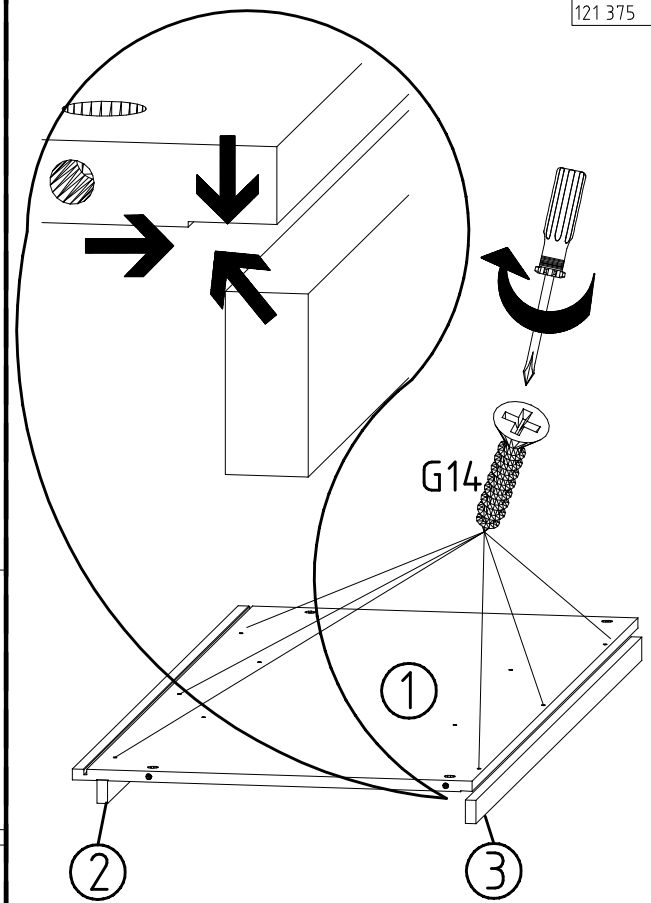
121 122



7



8



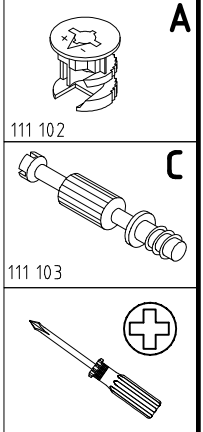
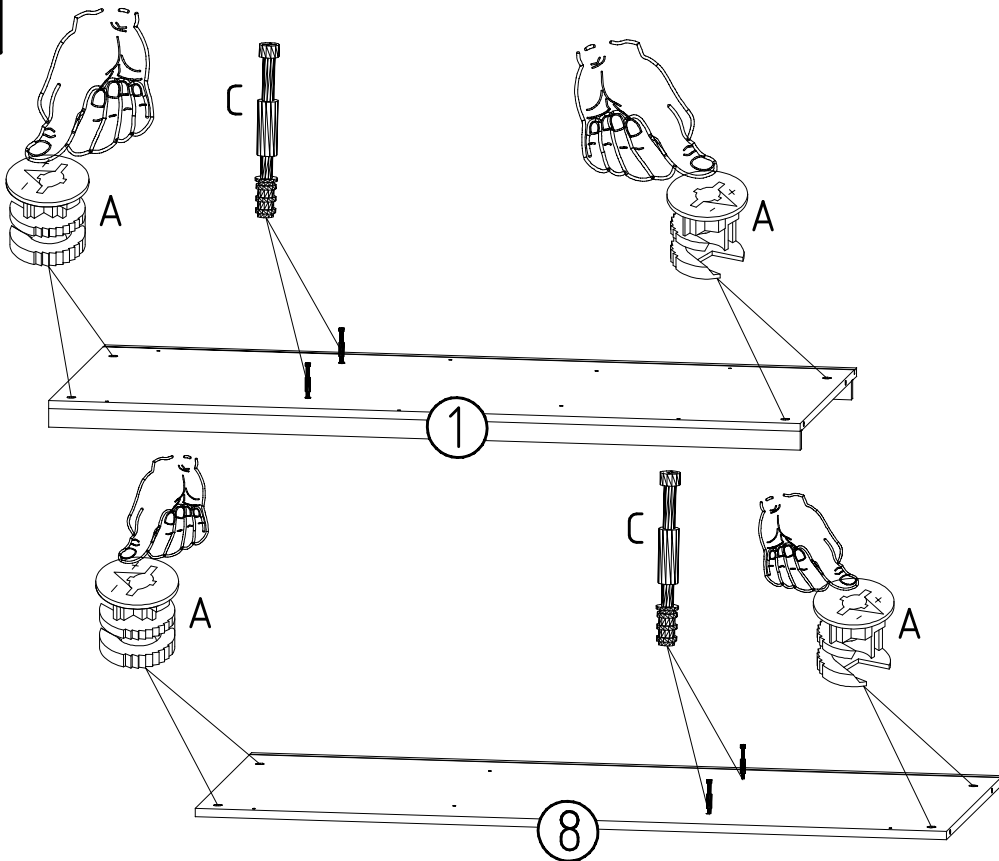
3,5 x 35 mm

G14

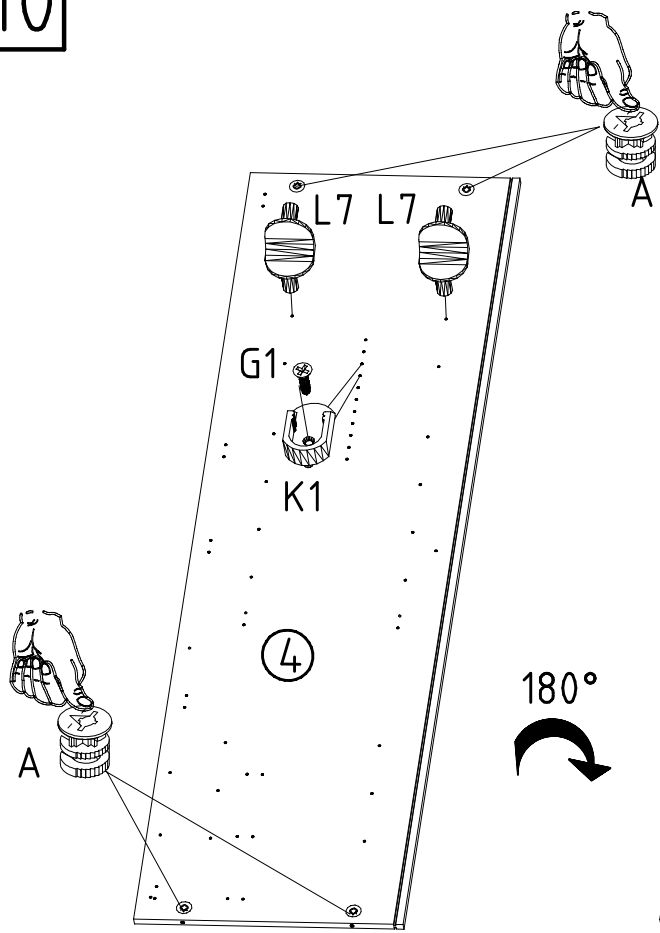


121 375

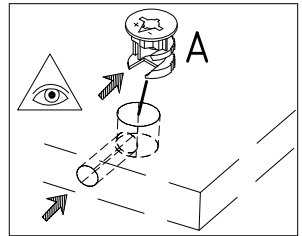
9



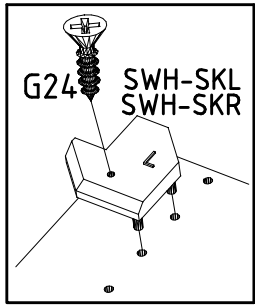
10



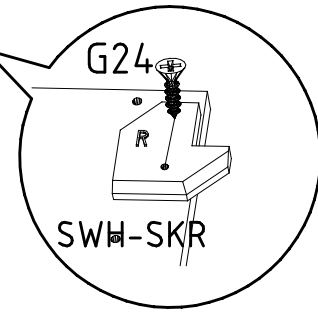
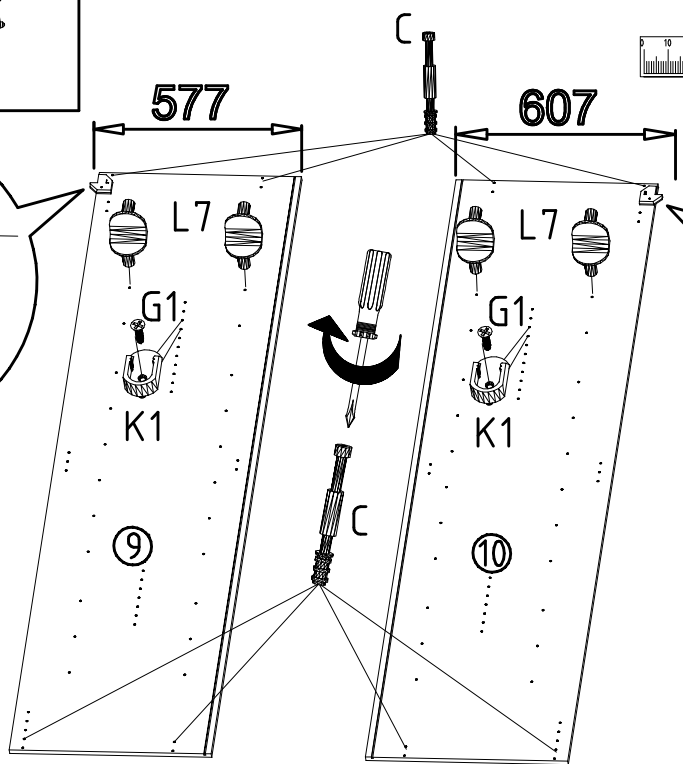
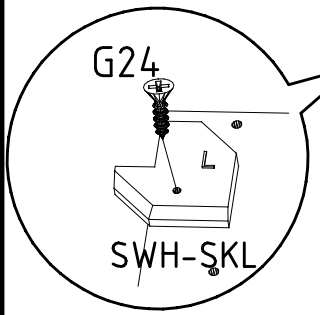
	<b>A</b> 3,5 x 15 mm	<b>G1</b>		<b>K1</b>		<b>L7</b>
111 102	121 370		117 001		111 610	



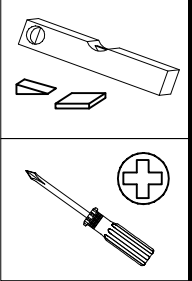
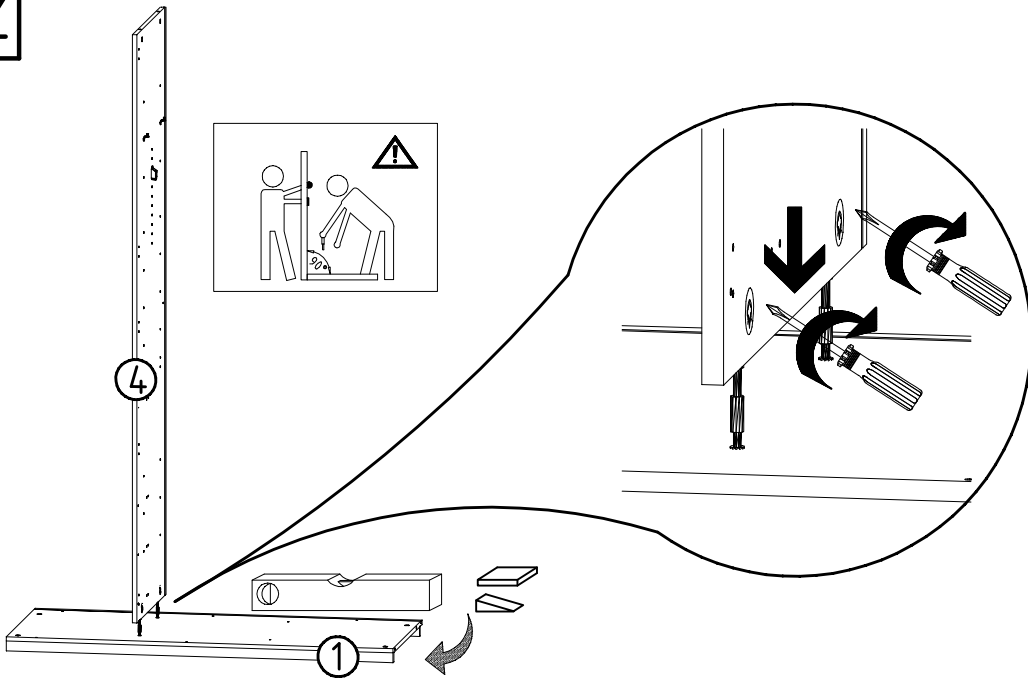
11



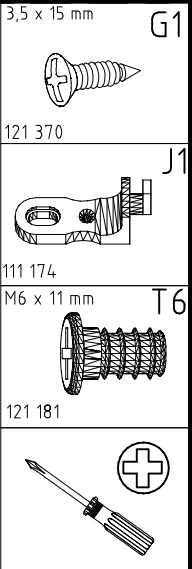
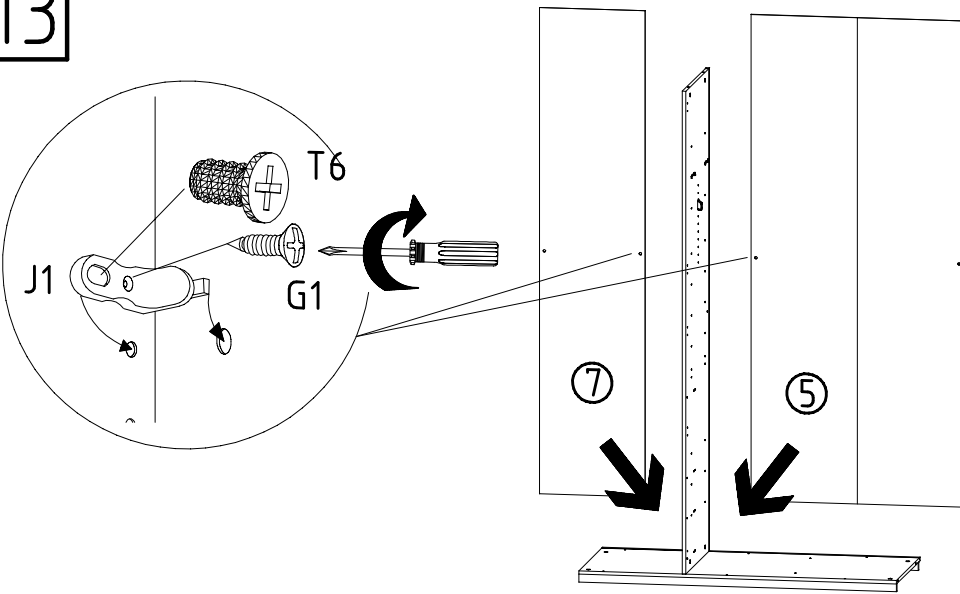
	<b>C</b>
	111 103
	3,5 x 15 mm
	<b>G1</b>
	121 370
	<b>K1</b>
	117 001
	<b>L7</b>
	111 610
	<b>SWH-SKL</b>
	<b>SWH-SKR</b>
	3,5 x 22 mm
	<b>G24</b>
	121 004



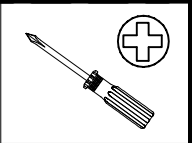
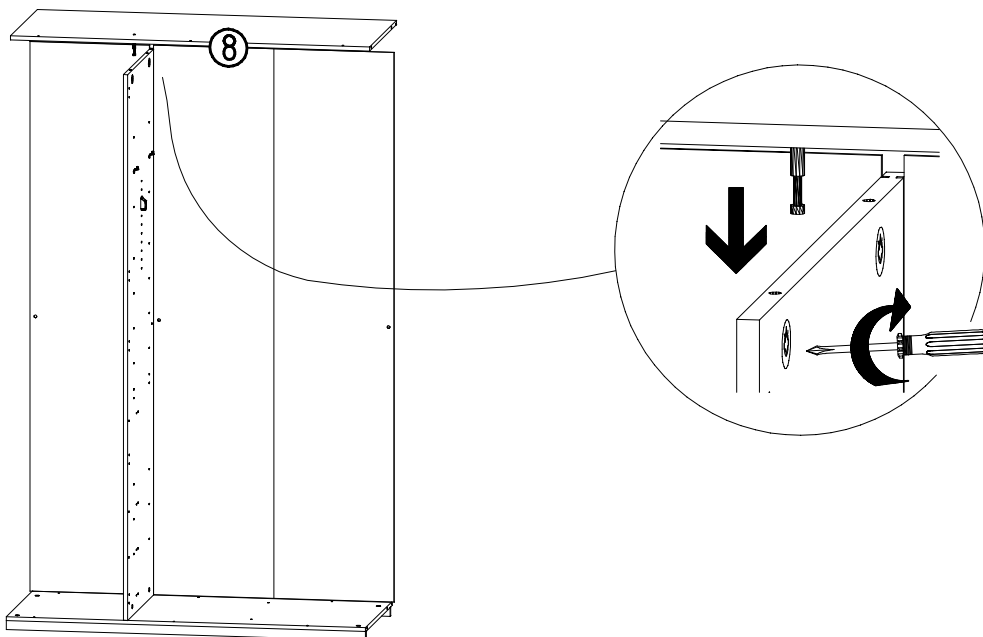
12



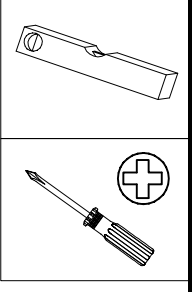
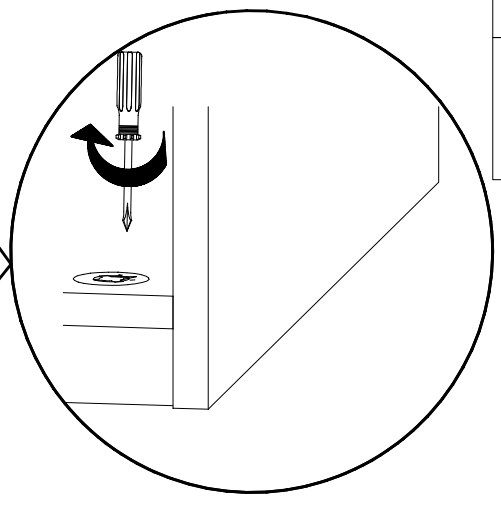
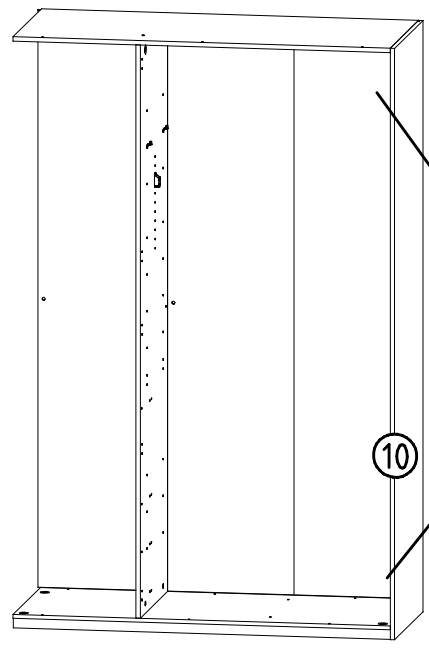
13



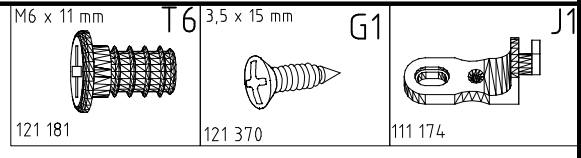
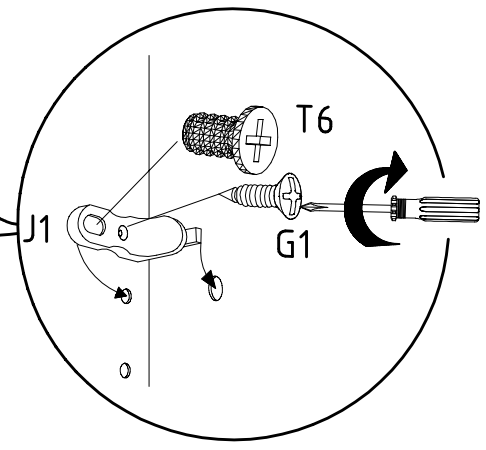
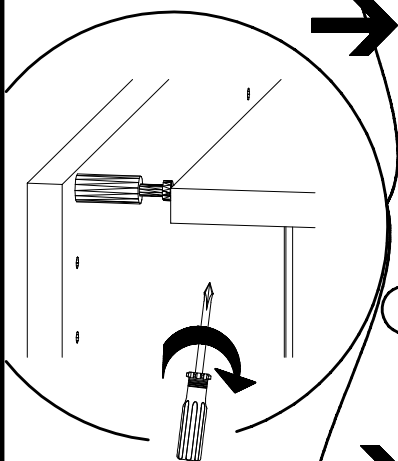
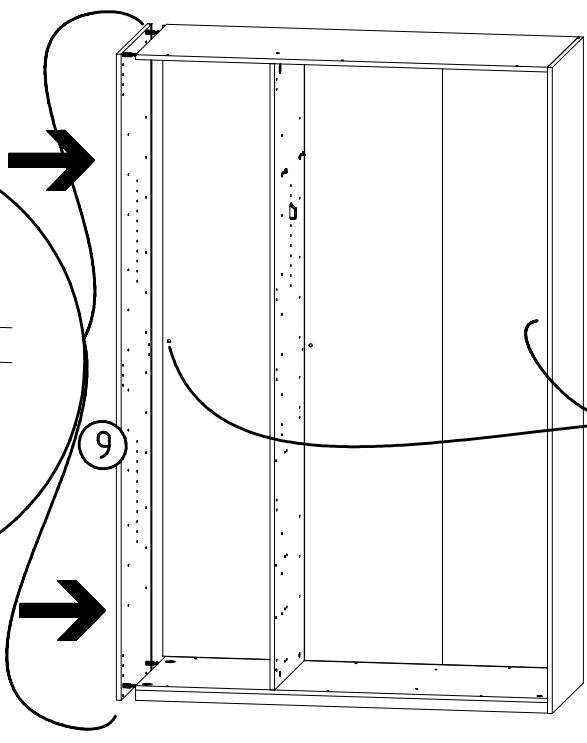
14



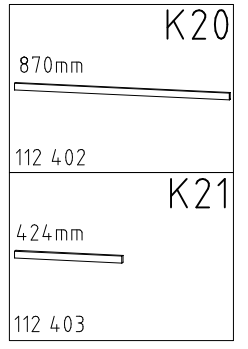
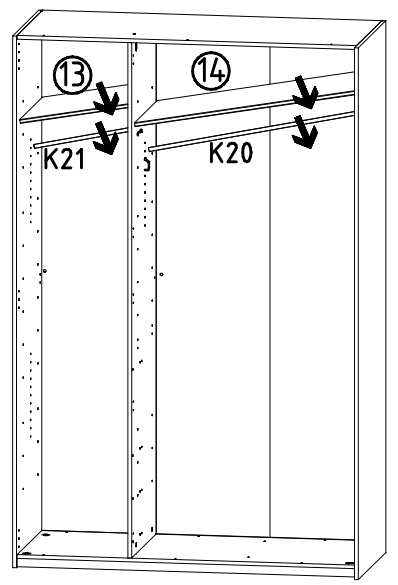
15



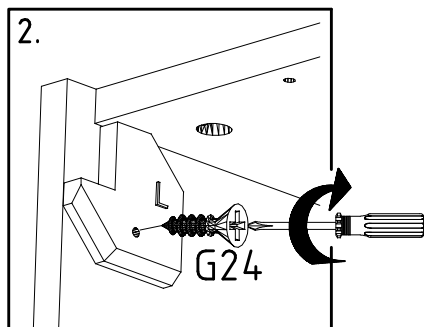
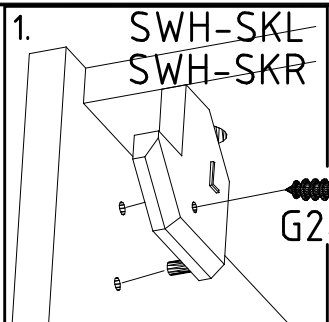
16



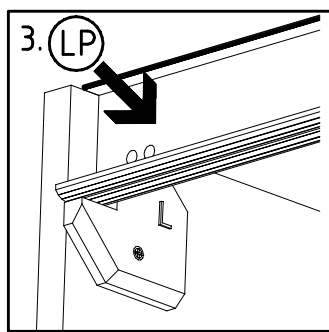
17



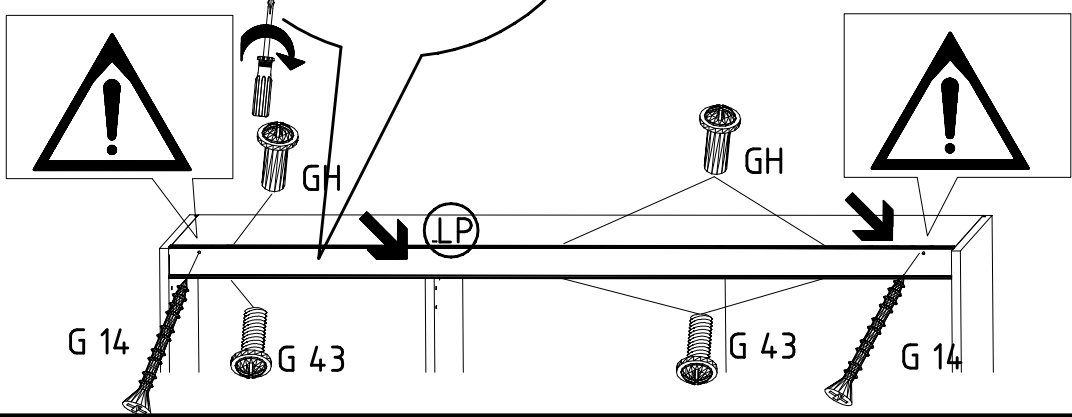
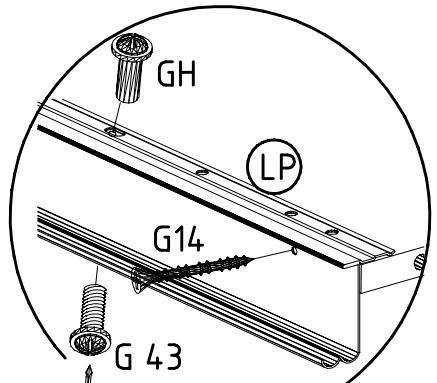
18



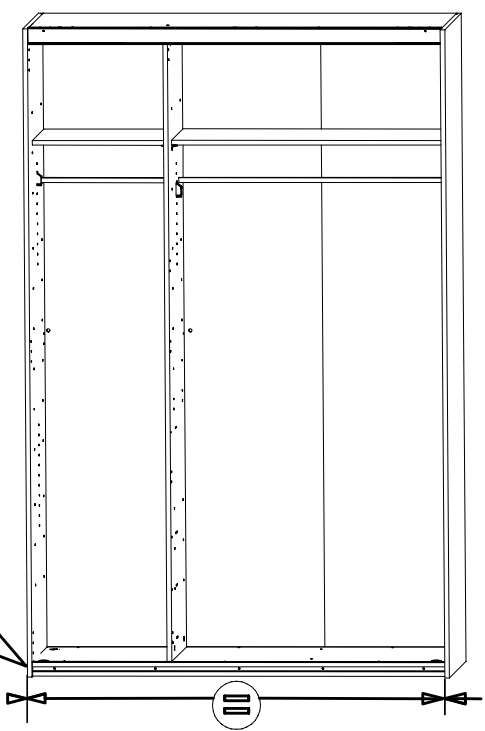
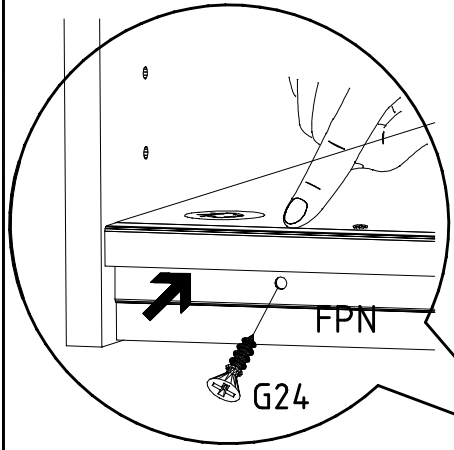
3,5 x 35 mm 121 375	<b>G14</b> M4 x 10 mm 121 xxx	G43 M4 x 13 mm 121 xxx	GH13
------------------------	-------------------------------------	------------------------------	------



**LP**  
1316/1760  
2204/2648/3092/3536



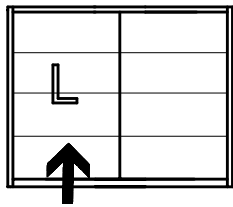
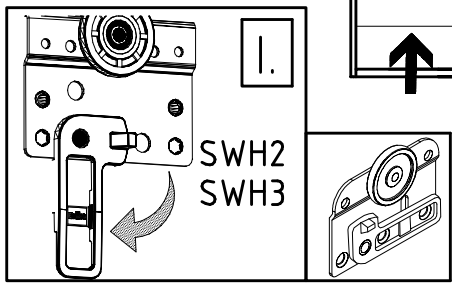
19



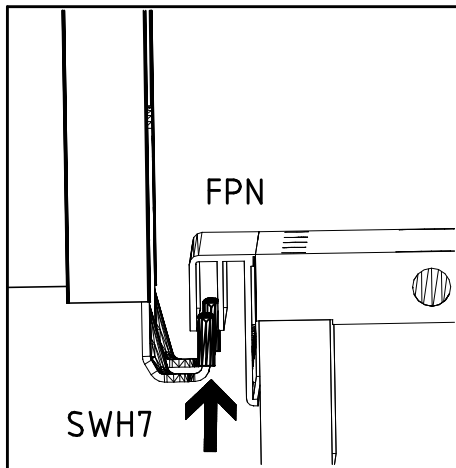
**FPN**  
1316/1760  
2204/2648/3092/3536

3,5 x 22 mm  
**G24**  
121 004

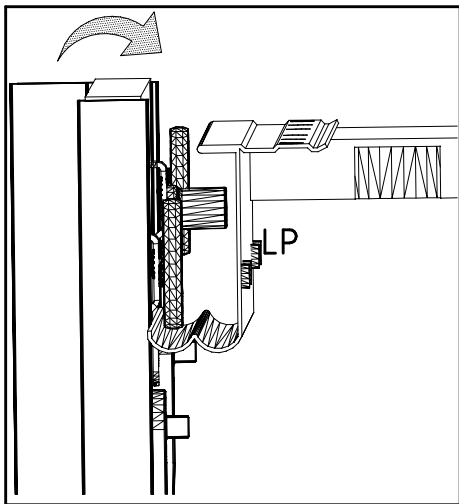
20



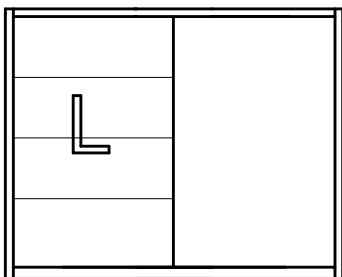
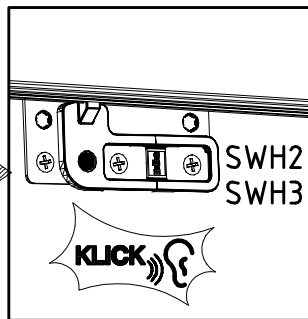
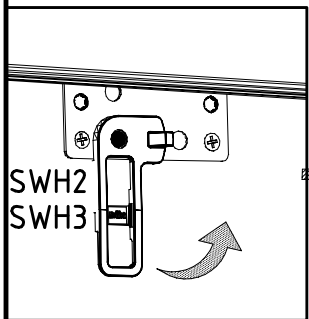
II.



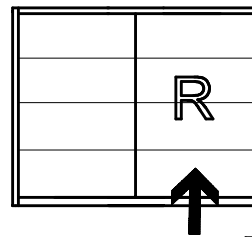
III.



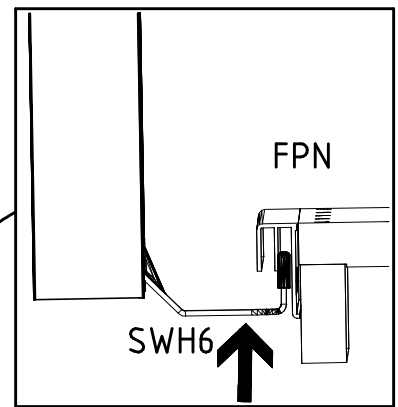
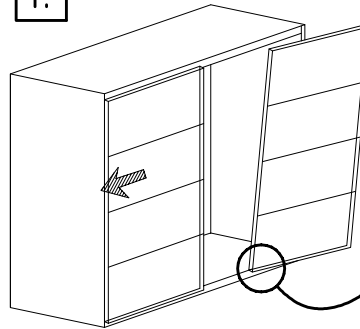
IV.



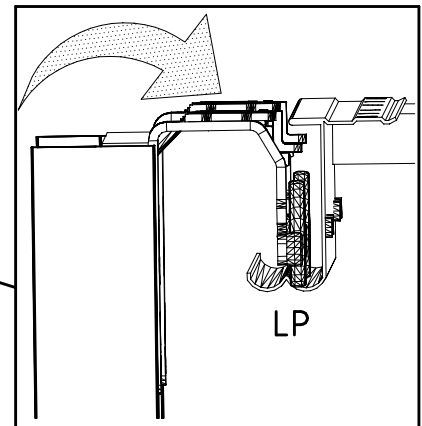
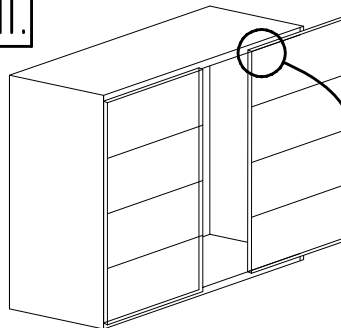
21



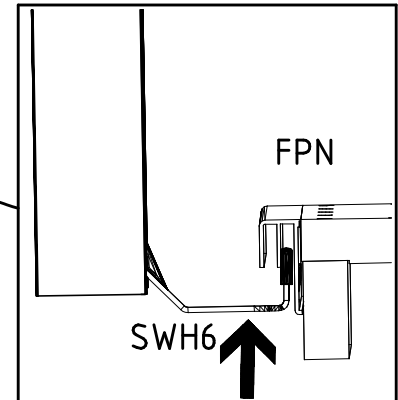
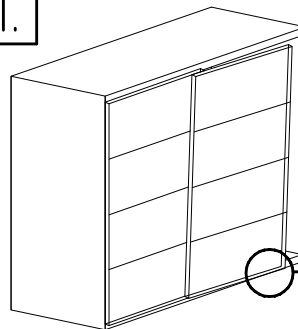
I.



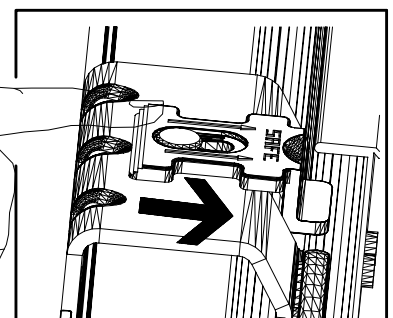
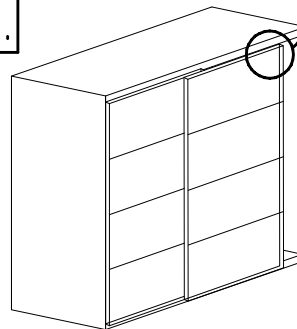
II.



III.



IV.



V.

