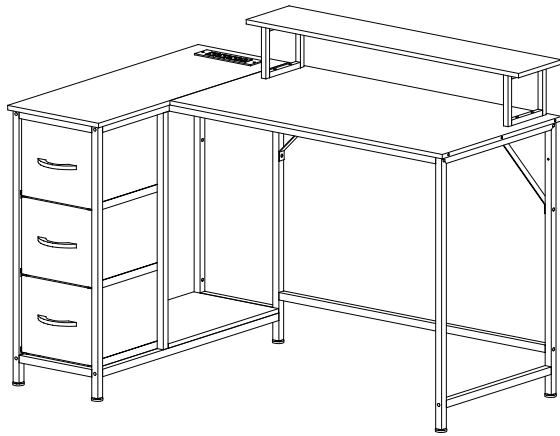
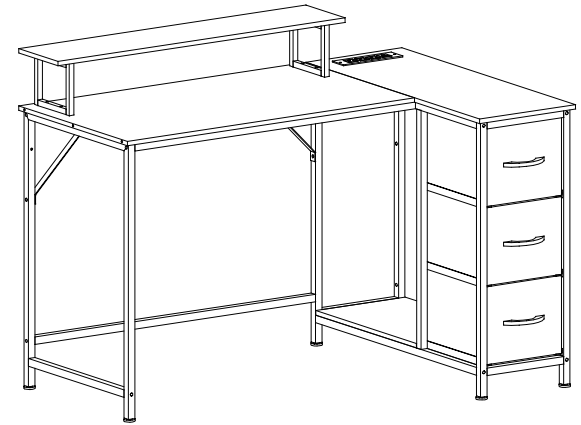


# ASSEMBLY INSTRUCTION



TYPE A

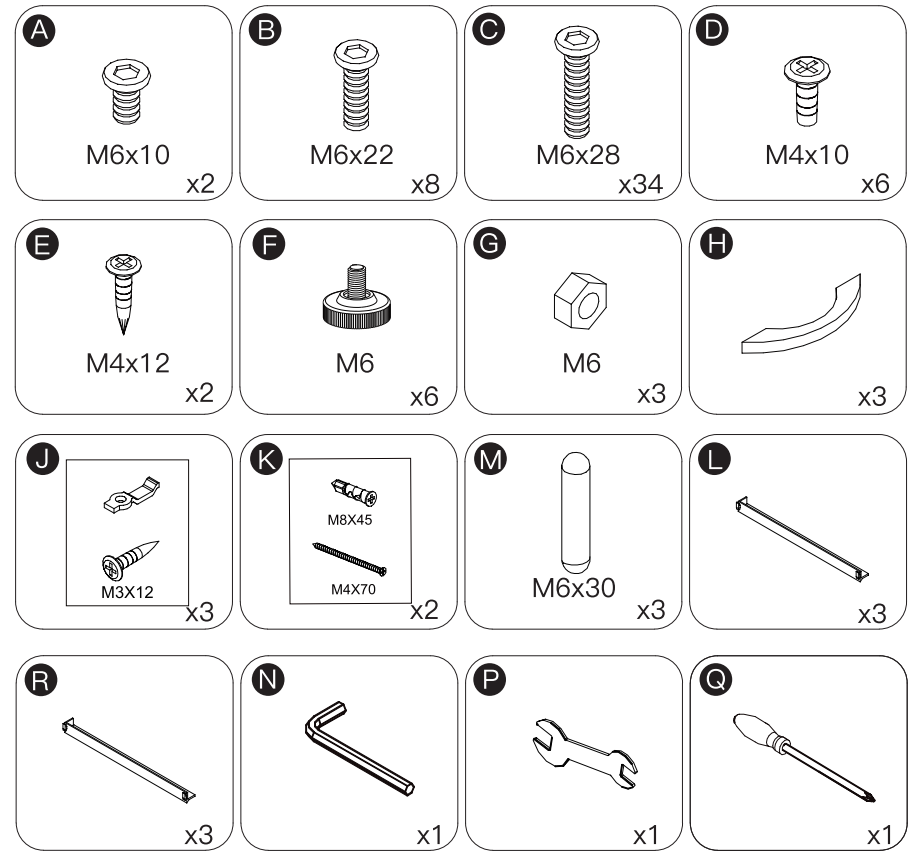
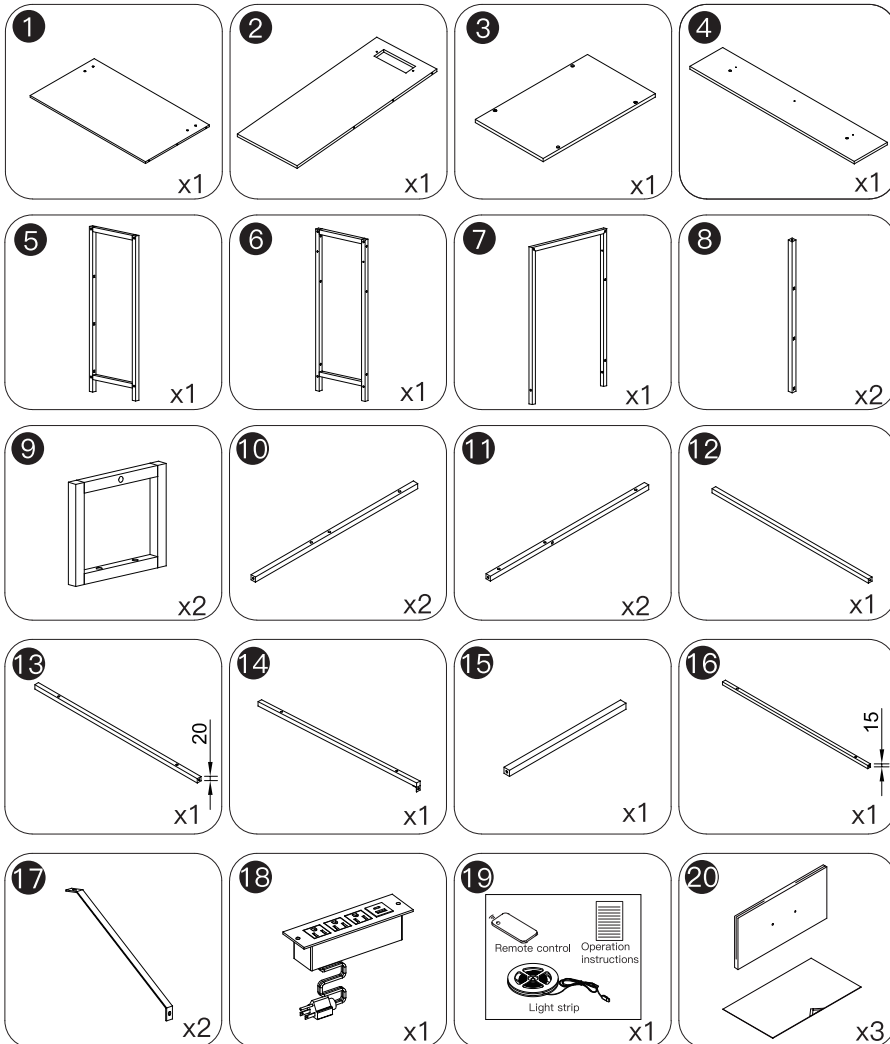


TYPE B

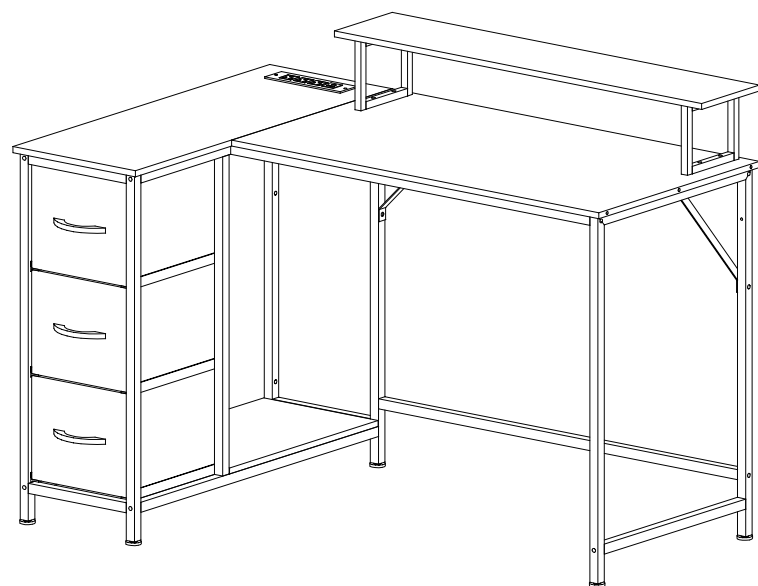
Please check all parts and accessories according to the parts list before assembling, make sure all contents are sufficient and in good condition.

If there is any parts missing or defective, please contact us immediately with purchase platform message to get replacement parts.

## PARTS:

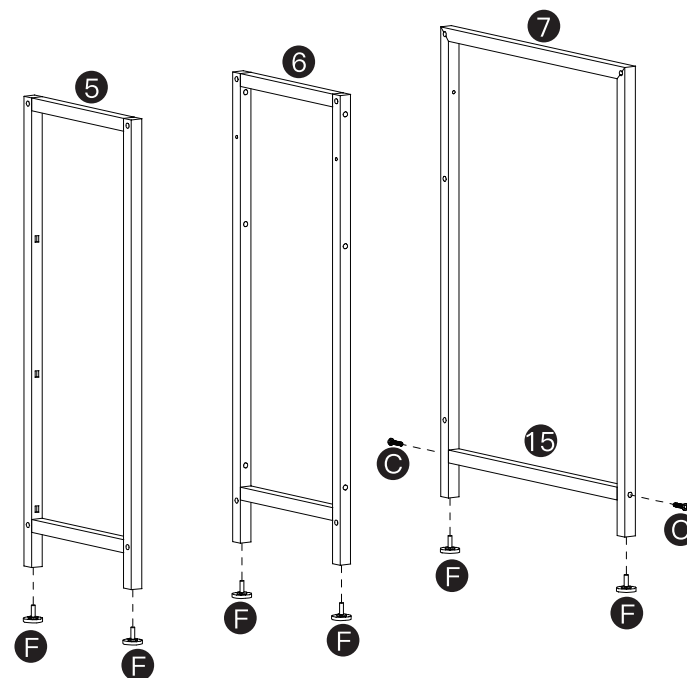
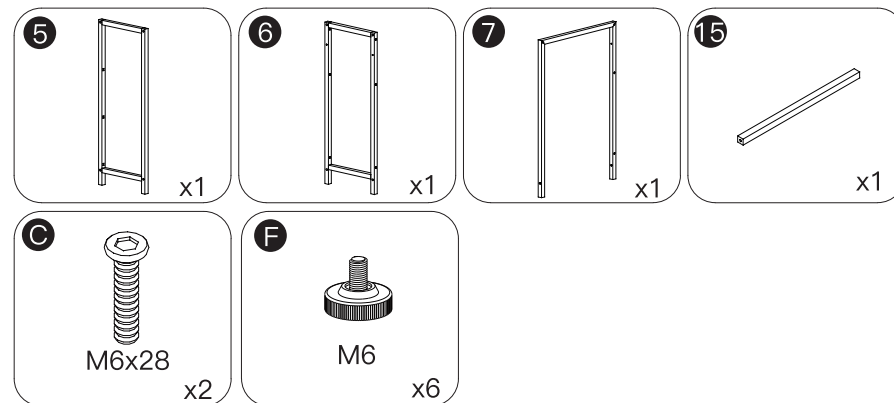


# TYPE-A INSTALLATION

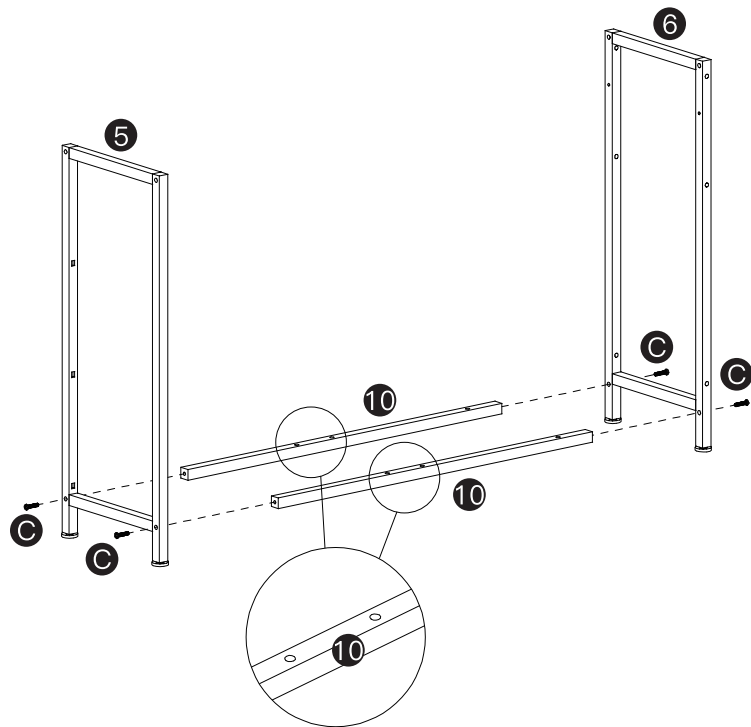
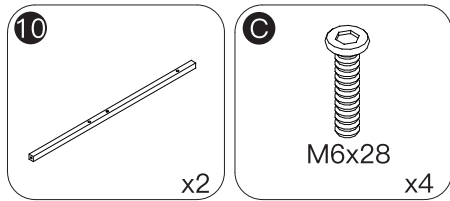


# HOW TO INSTALL

## STEP 1

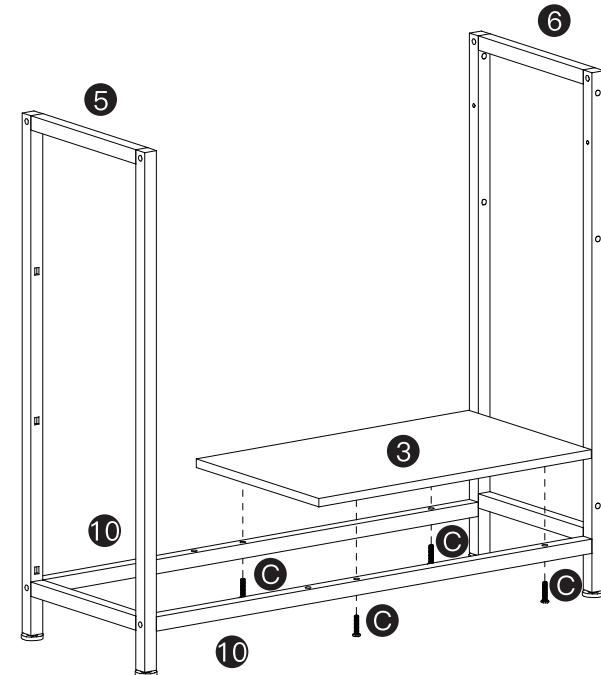
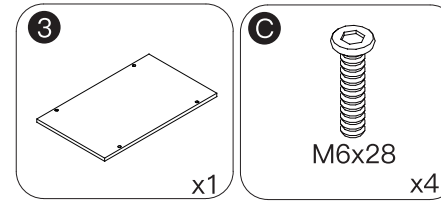


## STEP 2

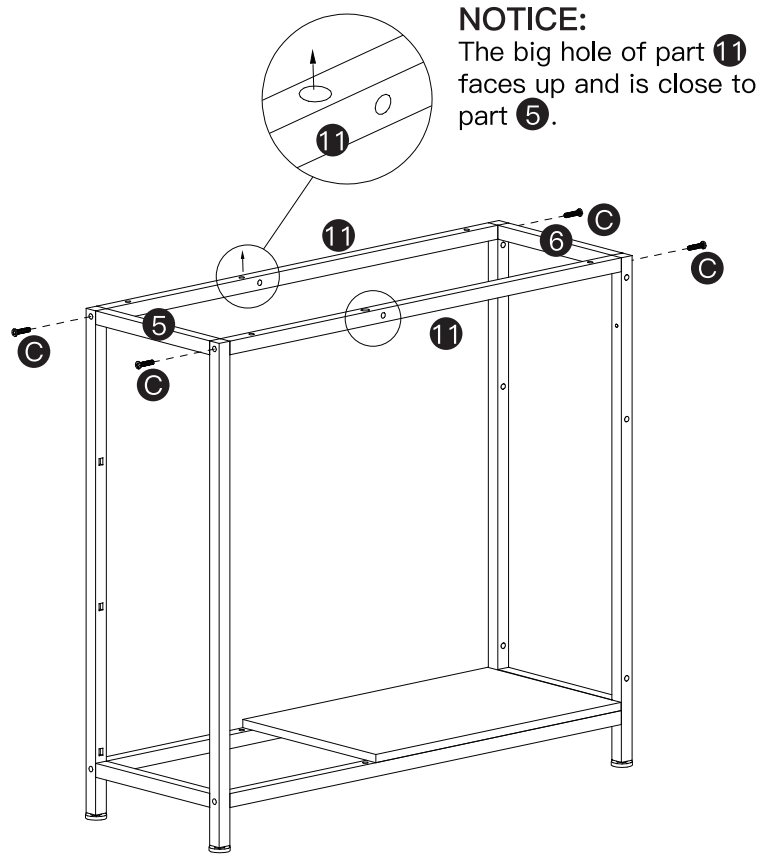
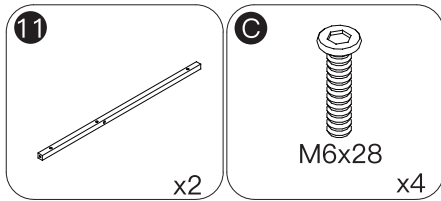


**NOTICE:**  
The two holes of part 10 are on the left.

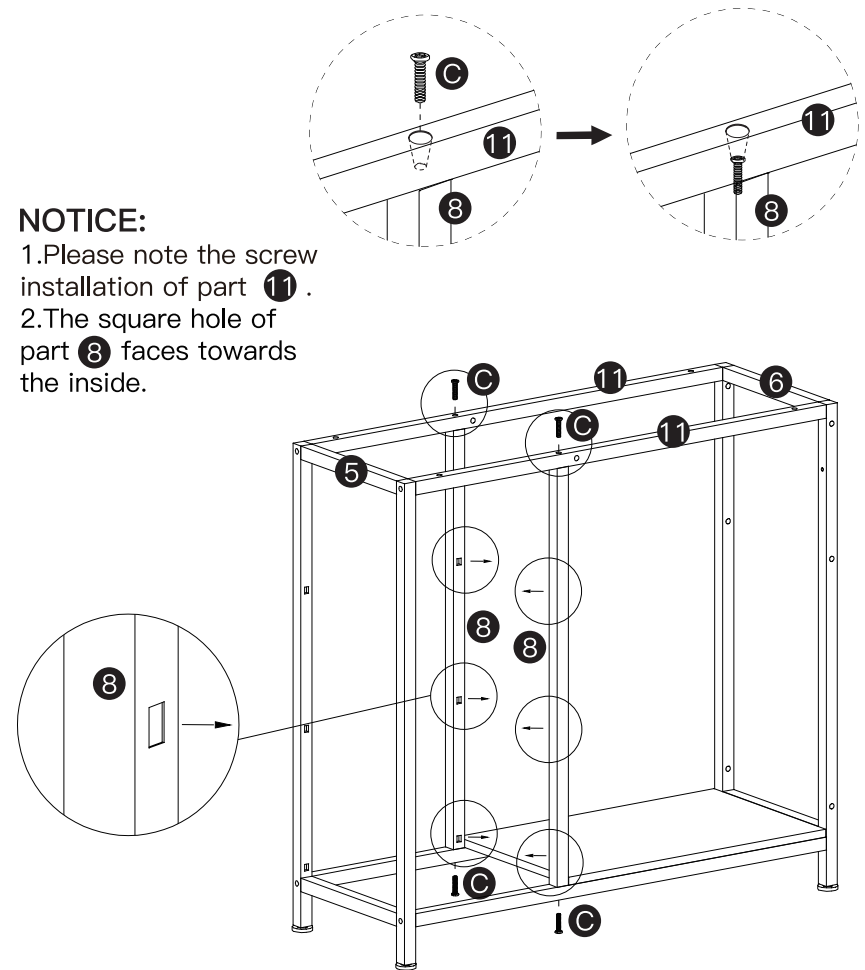
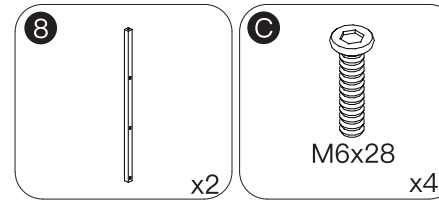
## STEP 3



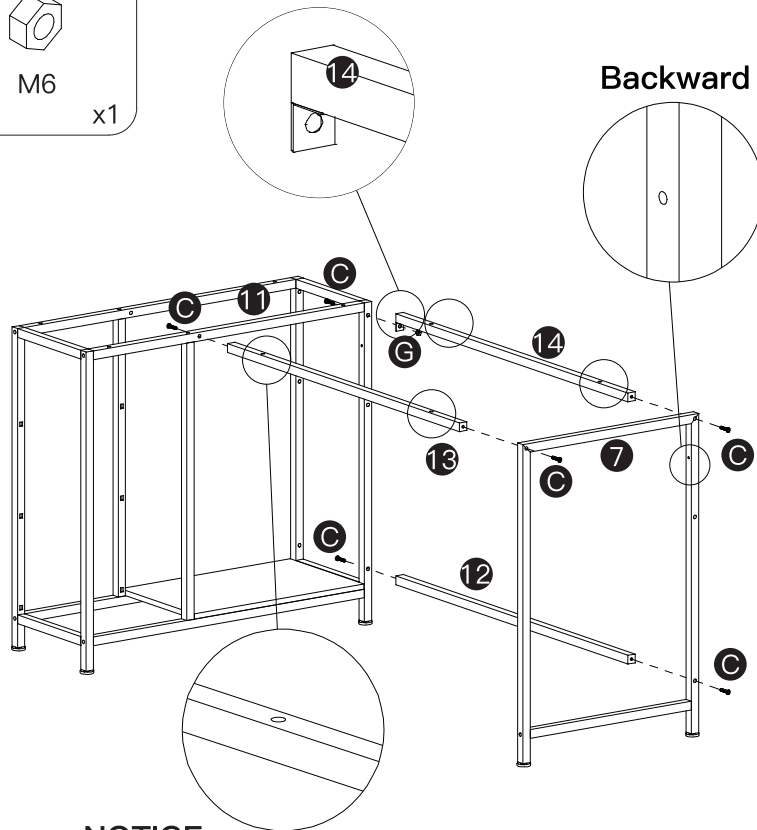
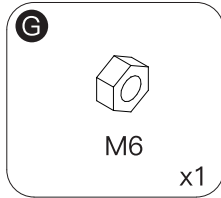
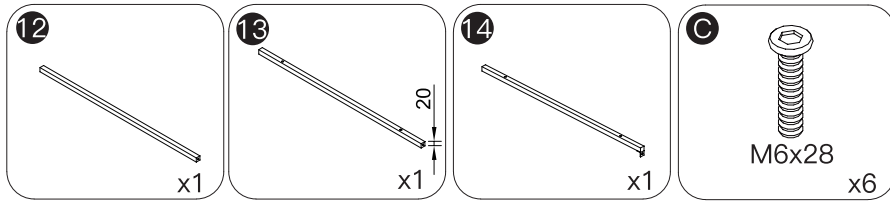
## STEP 4



## STEP 5

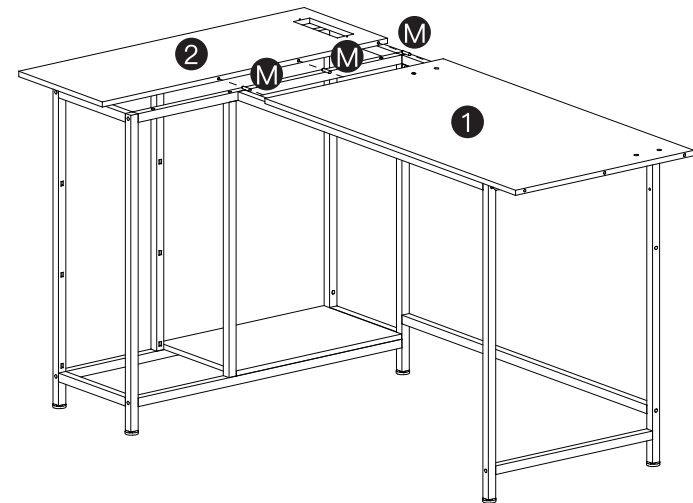
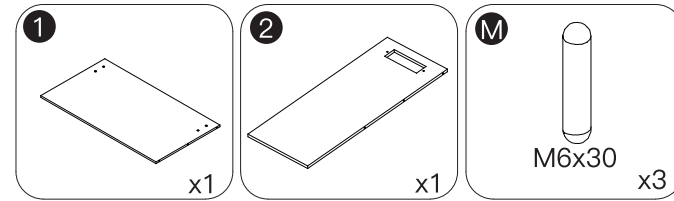


## STEP 6

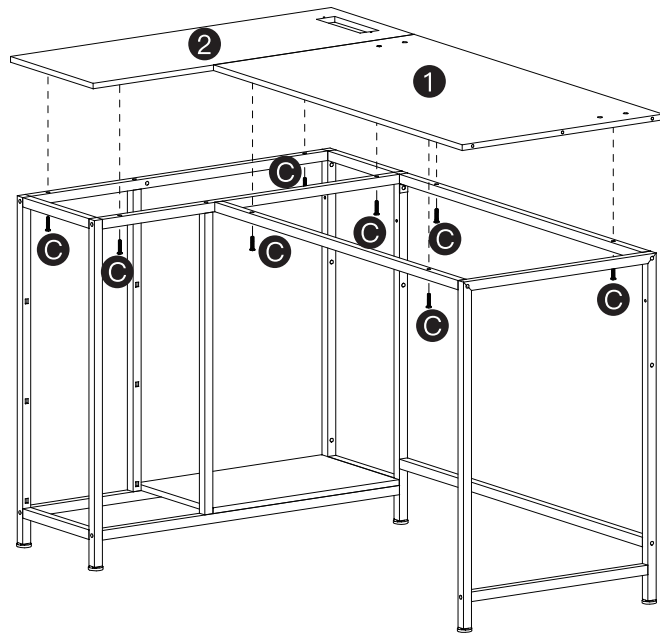
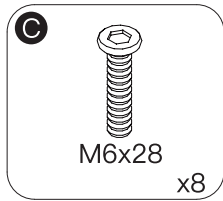


**NOTICE:**  
Please note that the holes of part 13  
and part 14 face up.

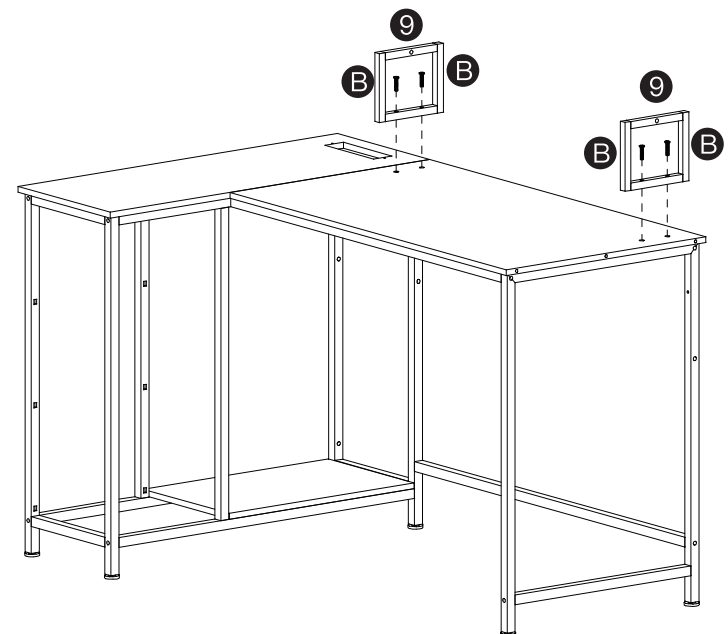
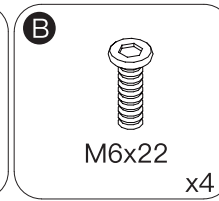
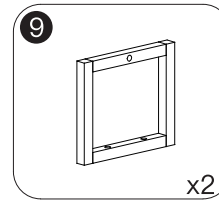
## STEP 7



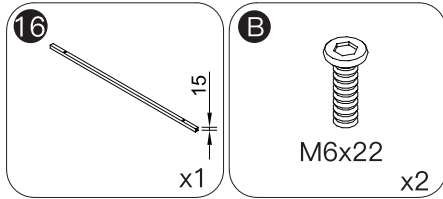
## STEP 8



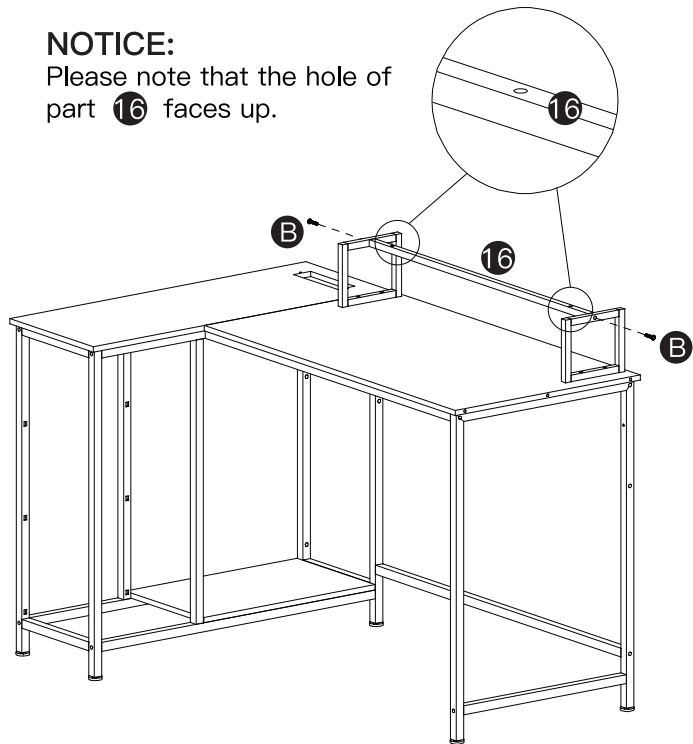
## STEP 9



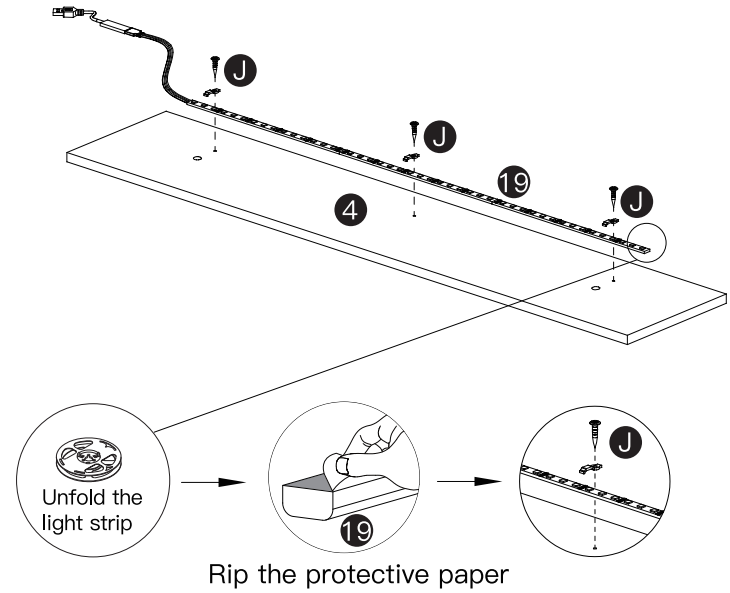
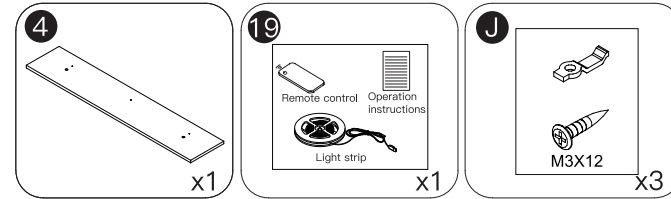
## STEP 10



**NOTICE:**  
Please note that the hole of part 16 faces up.



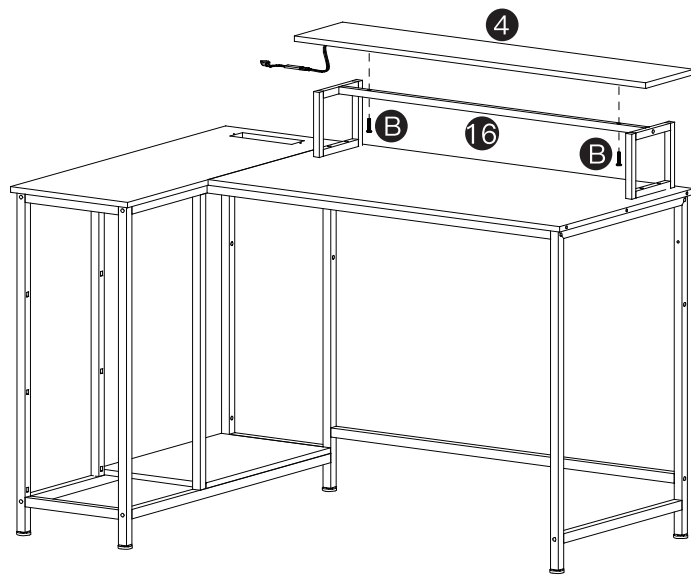
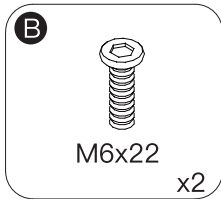
## STEP 11



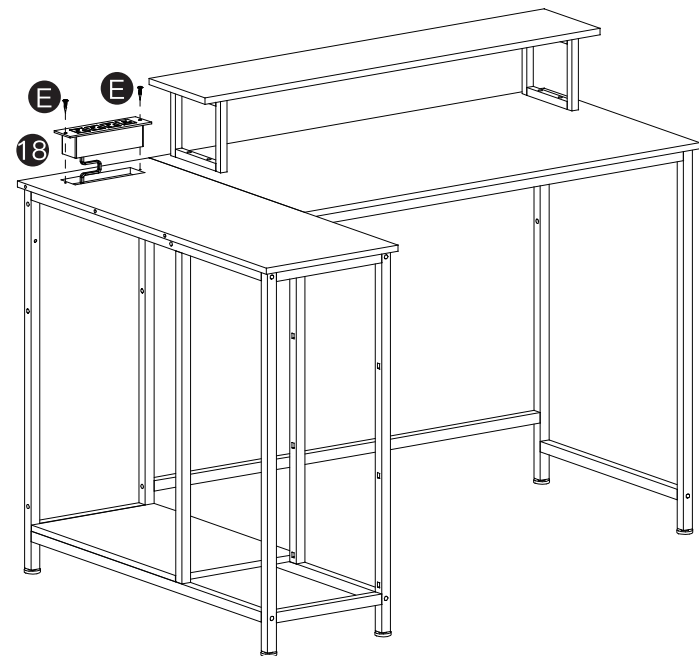
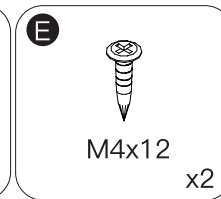
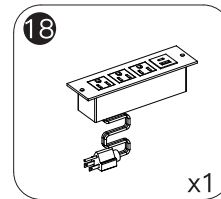
**NOTICE:**

Please be careful not to tear off the adhesive surface, when removing the double-sided tape.

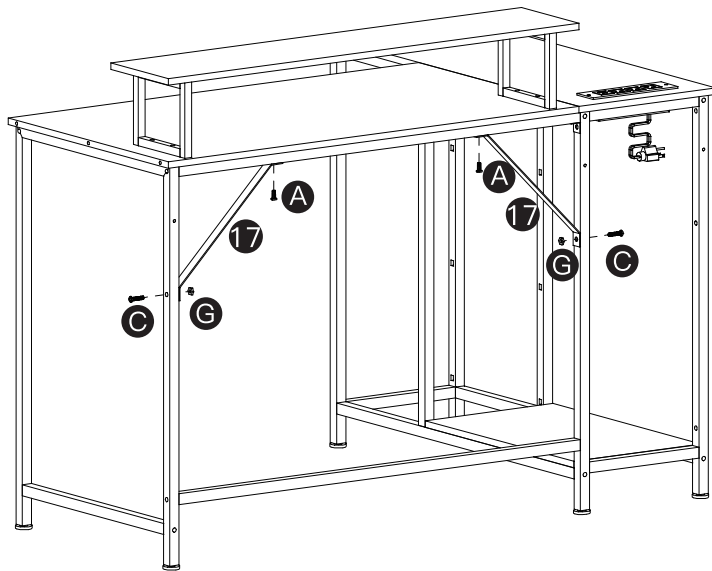
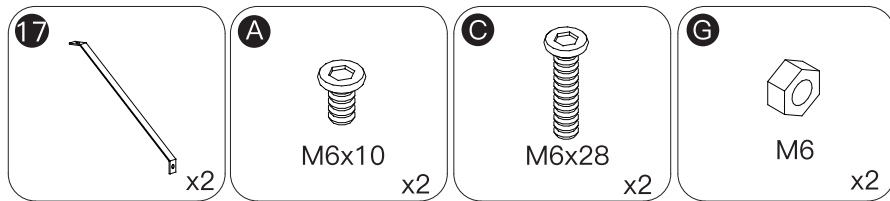
# STEP 12



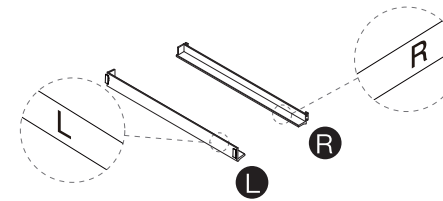
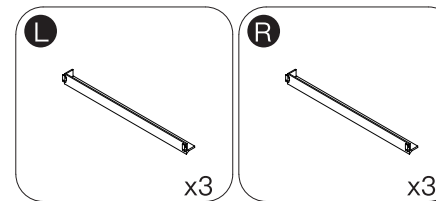
# STEP 13



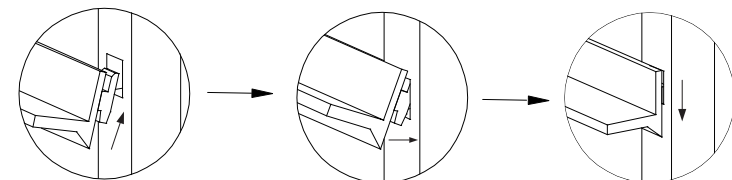
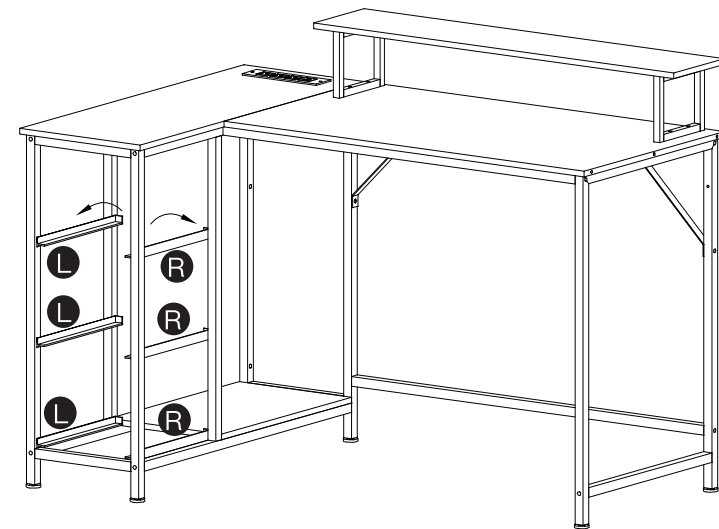
## STEP 14



## STEP 15



**NOTICE:**  
There's a corresponding **L** and **R** mark on each part located in a specified spot designed to distinguish them from each other easily.

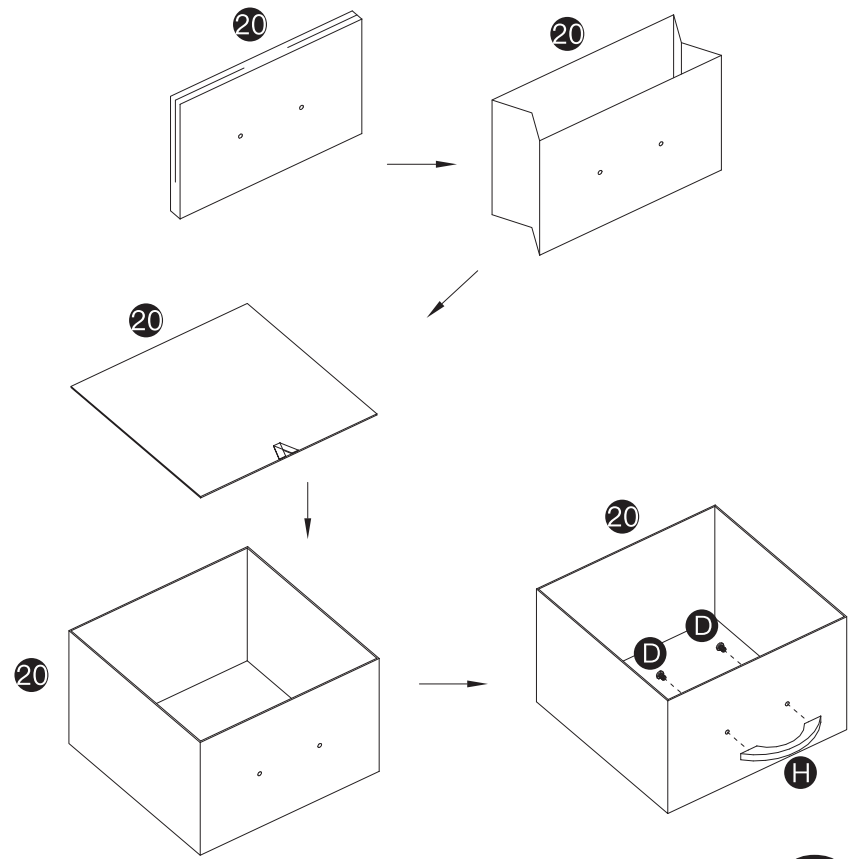
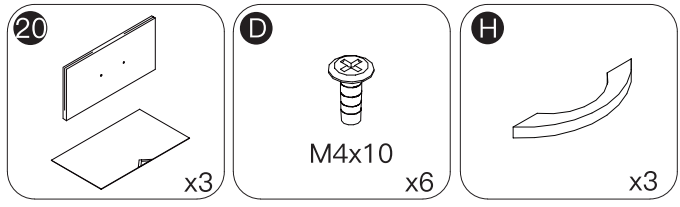


Insert the upper part into the square hole.

Then insert the rest part horizontally.

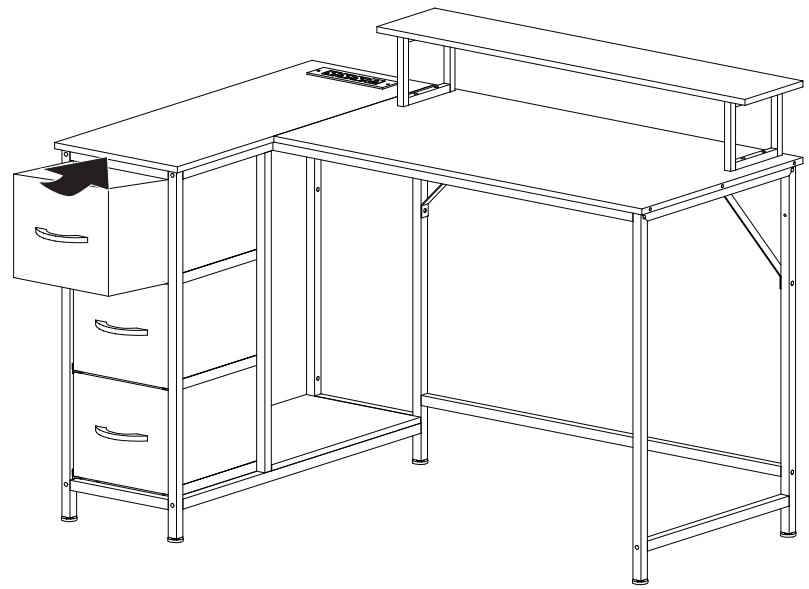
Press down the rail to ensure proper installation.

# STEP 16

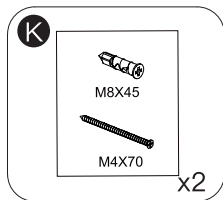


x3

# STEP 17



## STEP 18

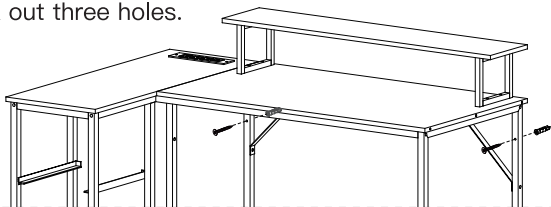


**NOTICE:**  
Electric drill and hammer are not included  
in our parts, please prepare them by yourself.

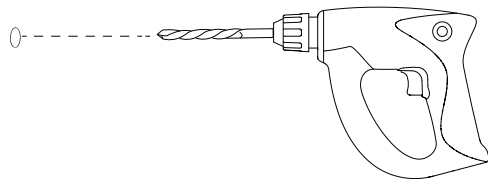
### WALL

Place the rack against the wall,  
locate and mark out three holes.

1



### WALL



2

### WALL

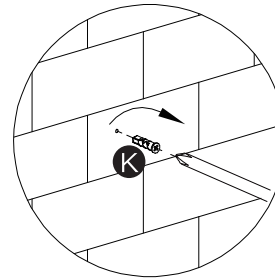


3

## STEP 19

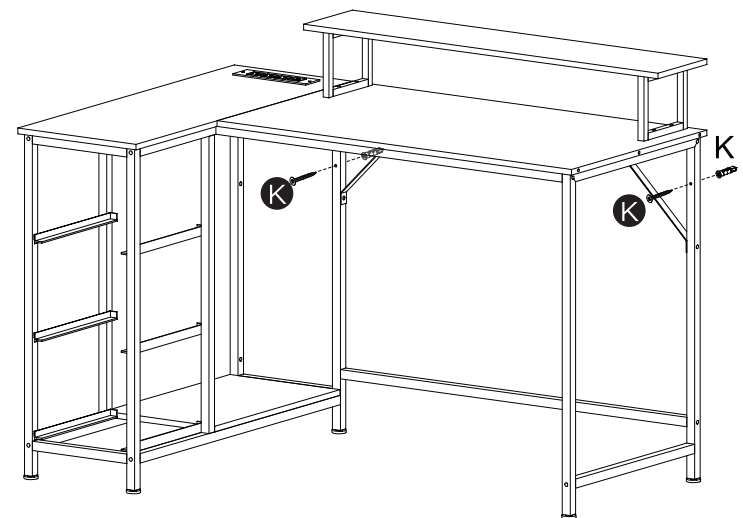
### WALL

4

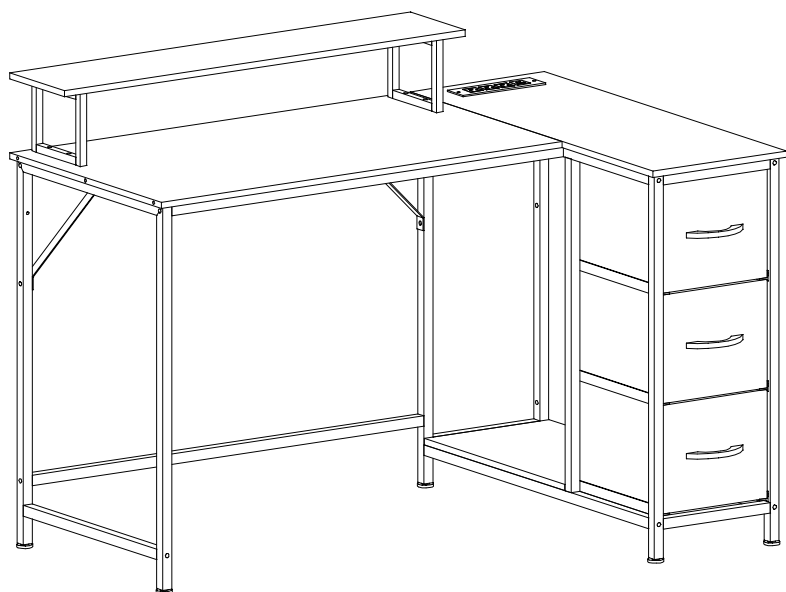


### NOTICE:

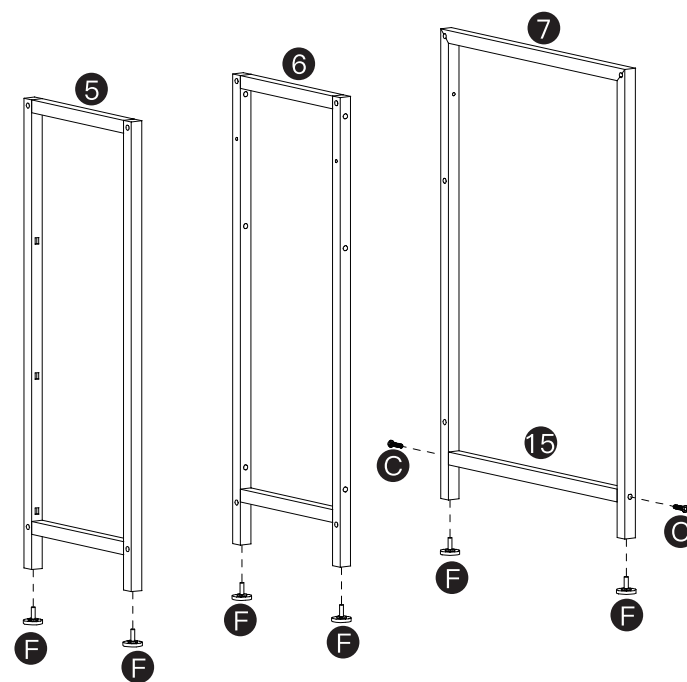
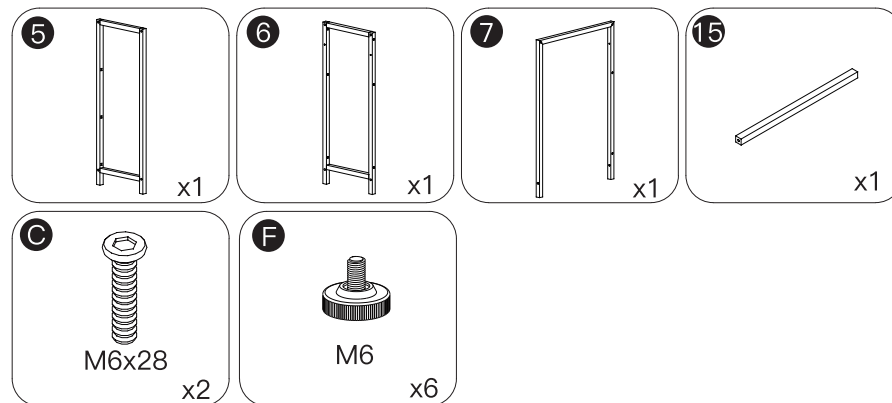
Please use a screwdriver to install  
part K.



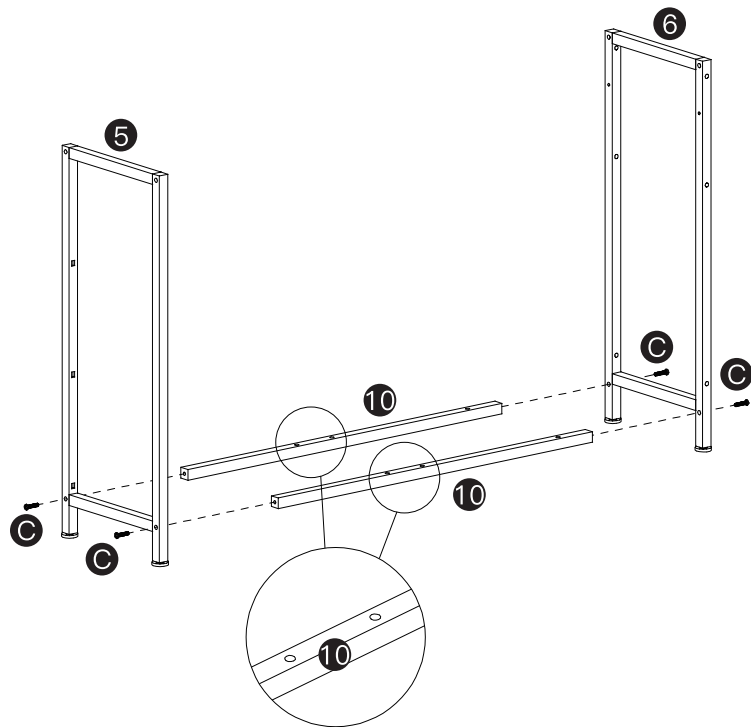
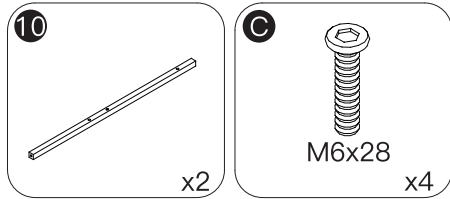
# TYPE-B INSTALLATION



## STEP 1

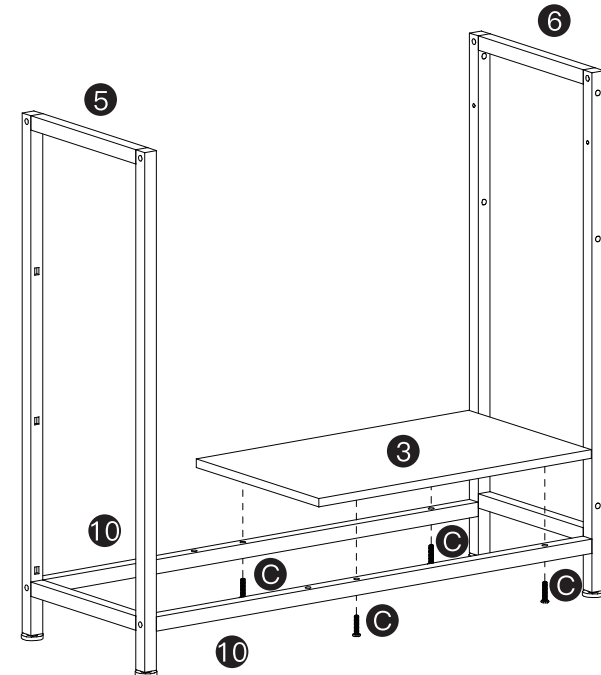
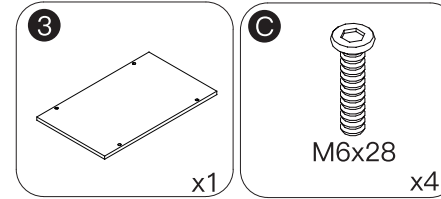


## STEP 2

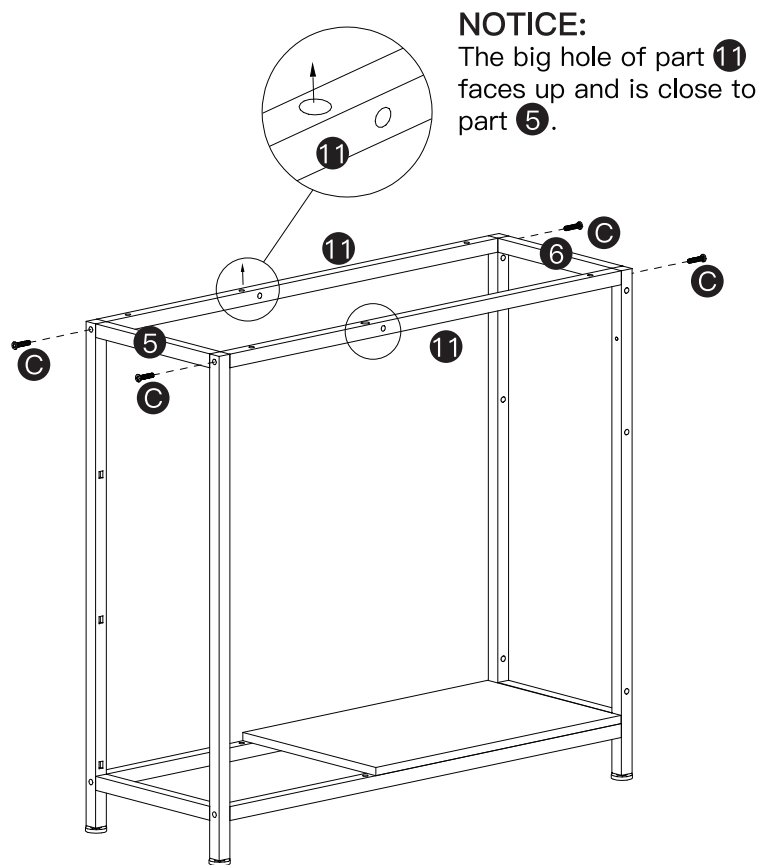
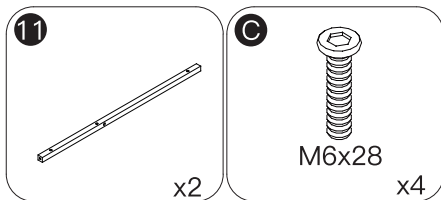


**NOTICE:**  
The two holes of part 10 are on the left.

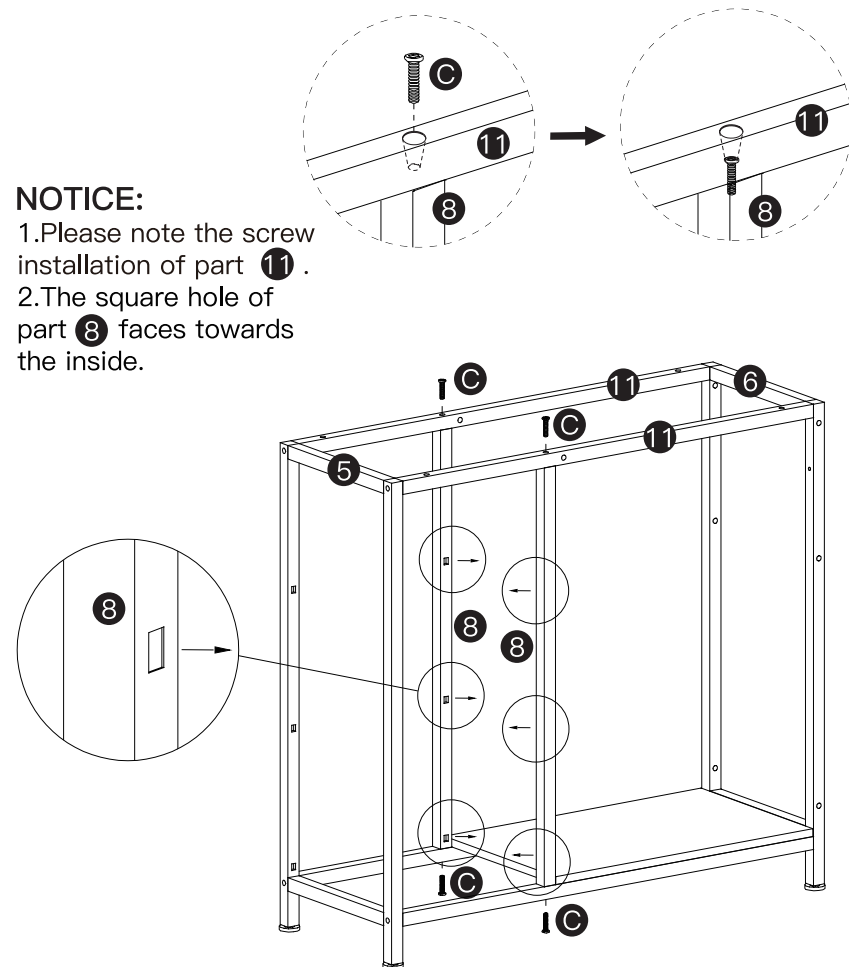
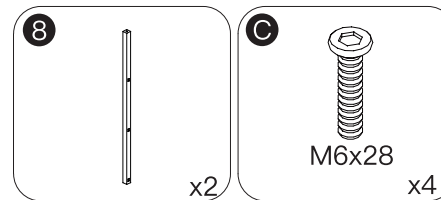
## STEP 3



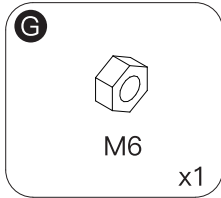
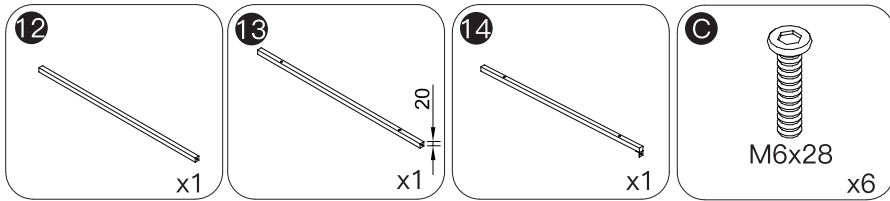
## STEP 4



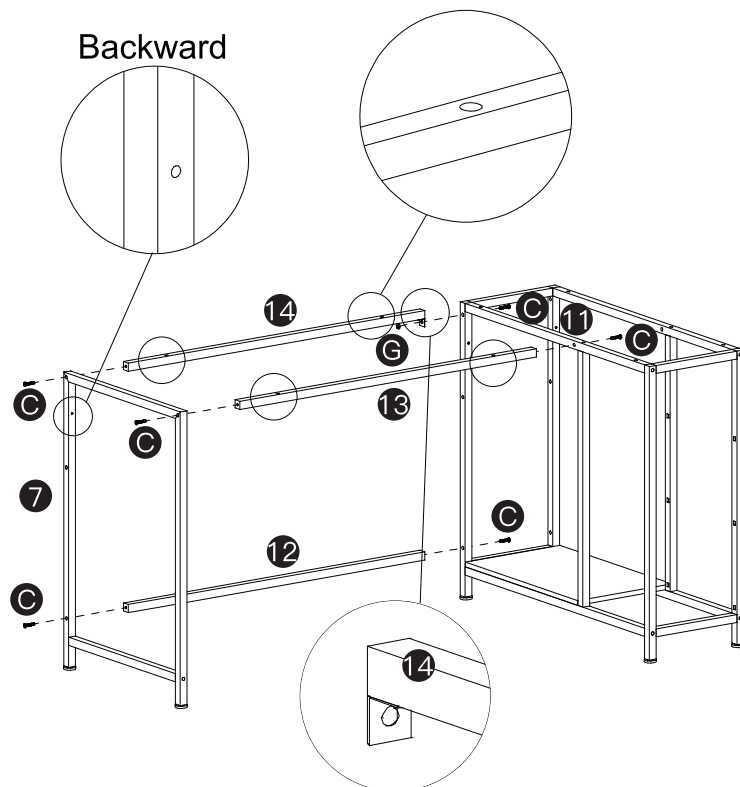
## STEP 5



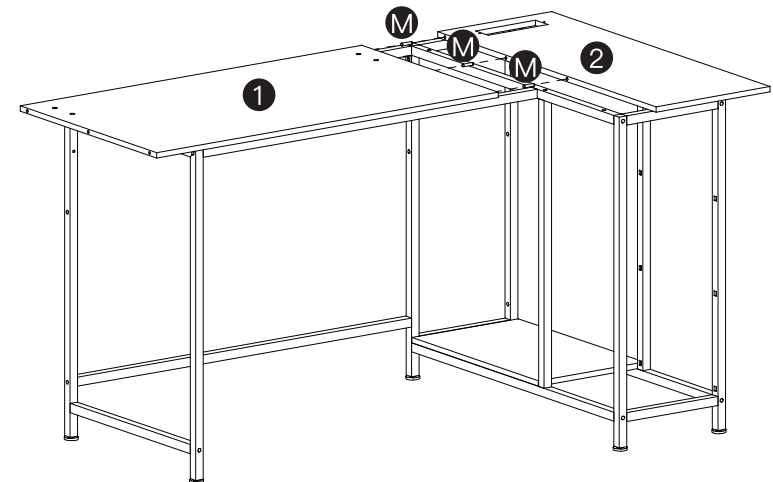
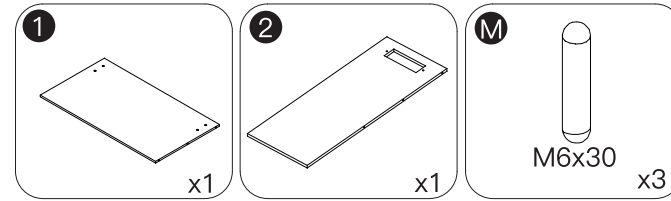
## STEP 6



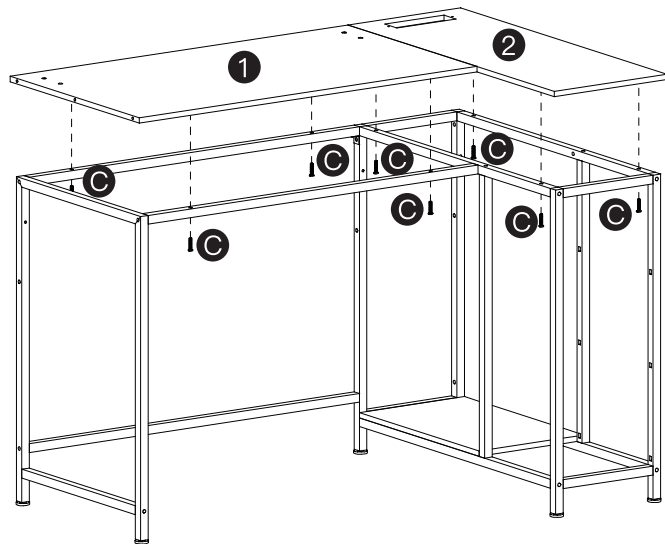
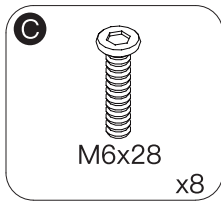
**NOTICE:**  
Please note that the holes of part 13 and part 14 face up.



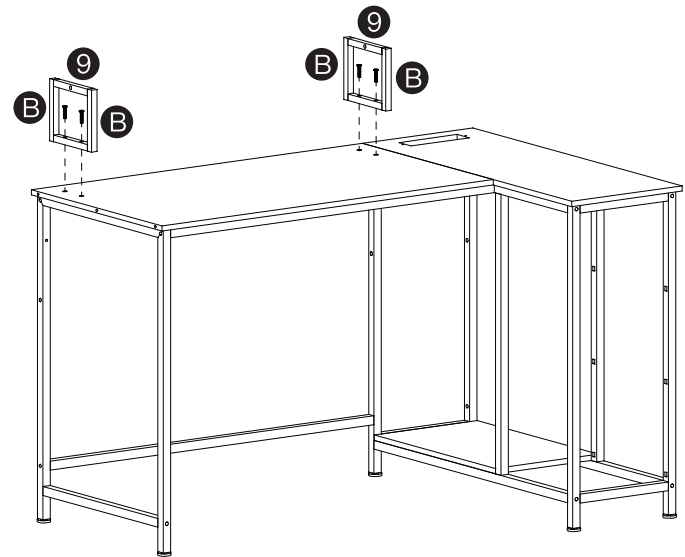
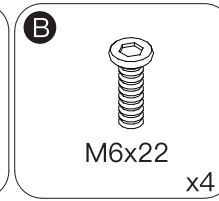
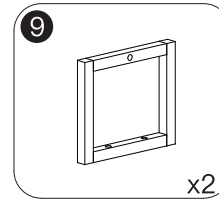
## STEP 7



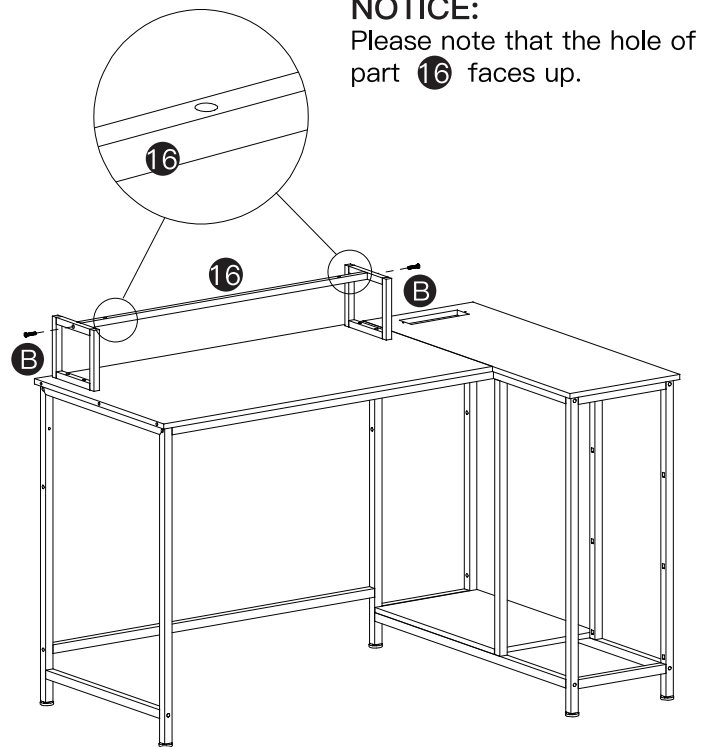
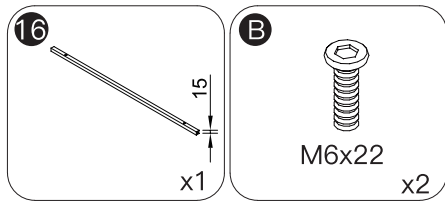
## STEP 8



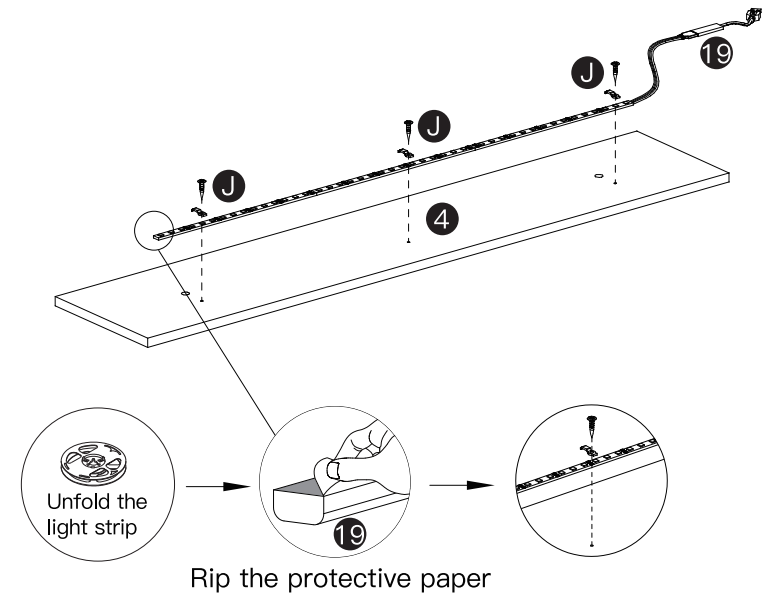
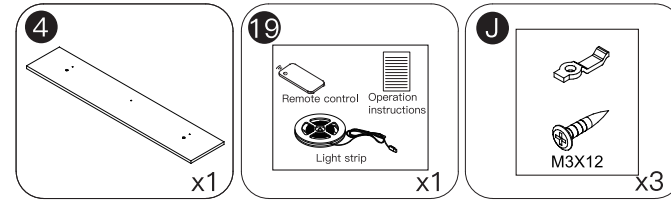
## STEP 9



## STEP 10



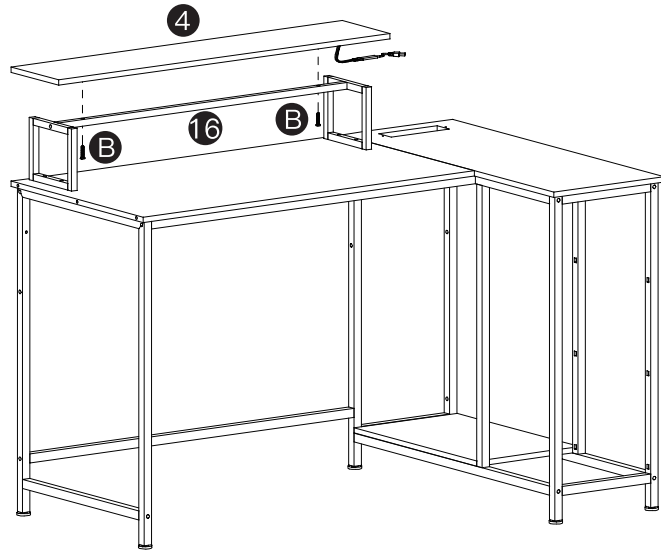
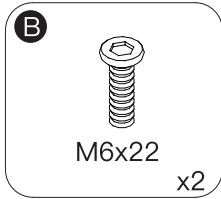
## STEP 11



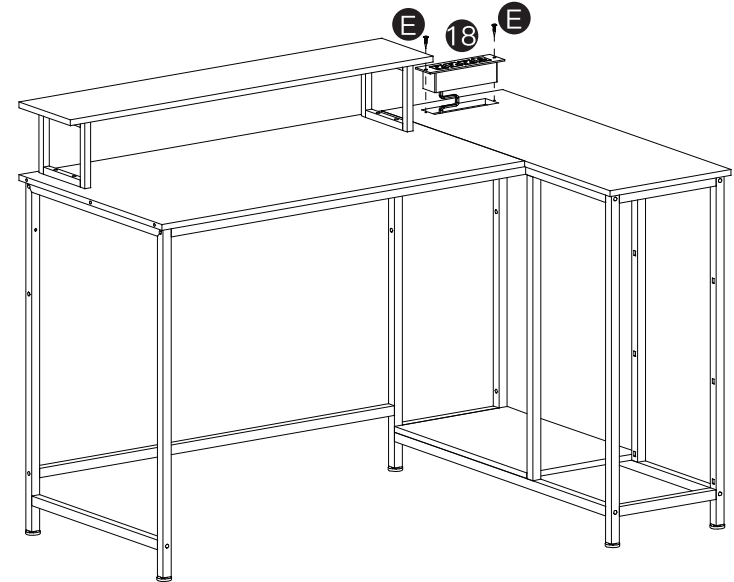
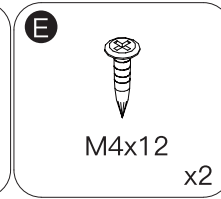
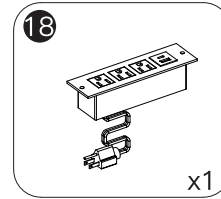
### NOTICE:

Please be careful not to tear off the adhesive surface, when removing the double-sided tape.

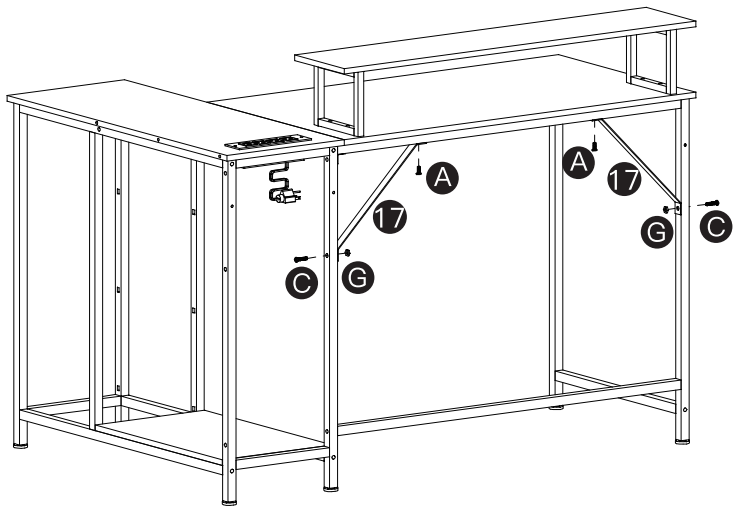
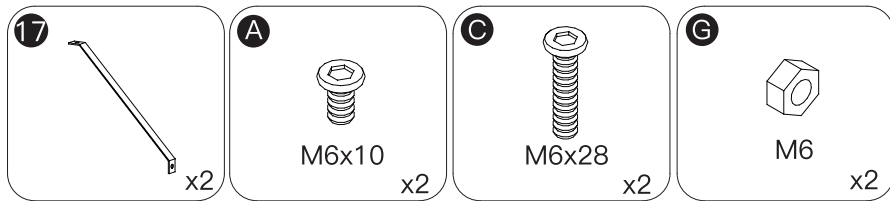
# STEP 12



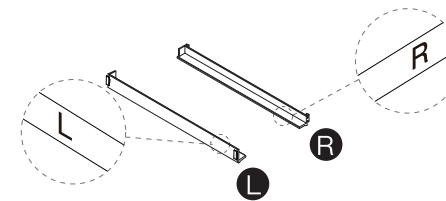
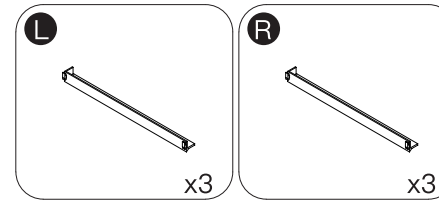
# STEP 13



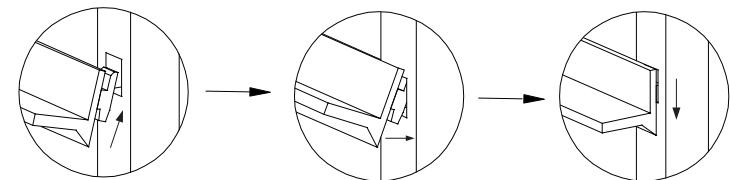
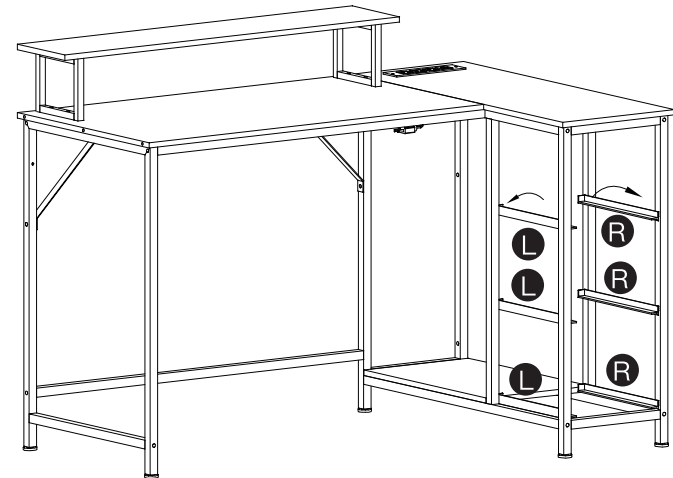
## STEP 14



## STEP 15



**NOTICE:** There's a corresponding **L** and **R** mark on each part located in a specified spot designed to distinguish them from each other easily.

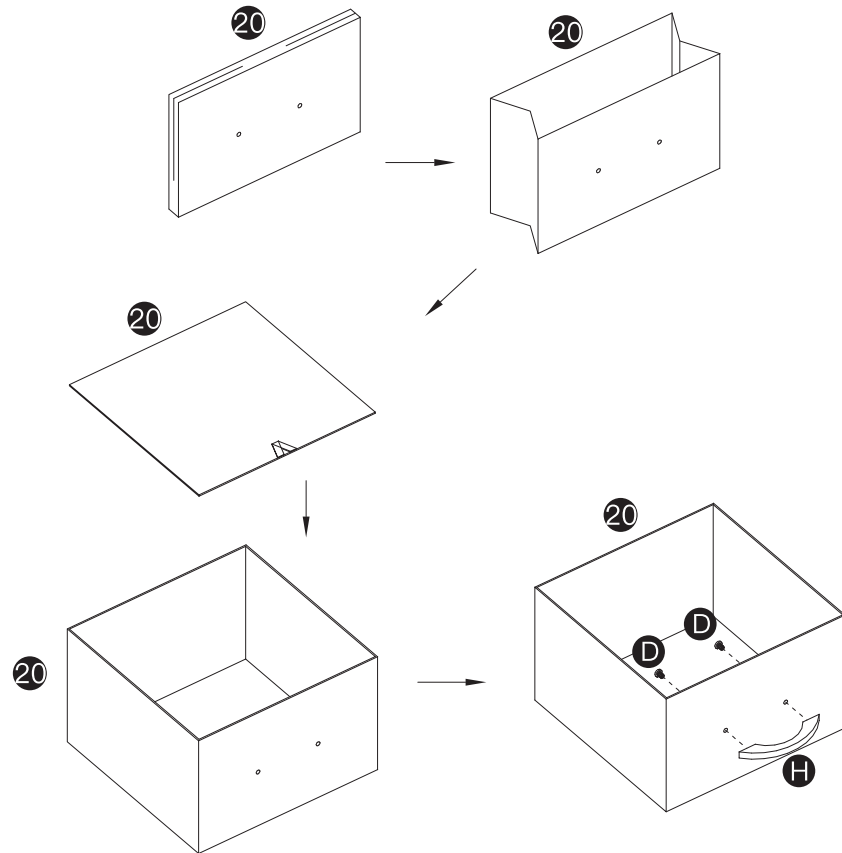
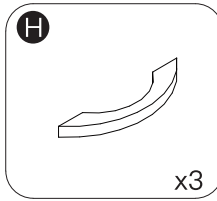
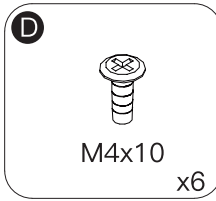
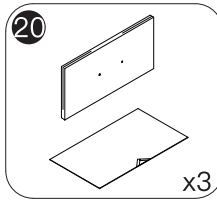


Insert the upper part into the square hole.

Then insert the rest part horizontally.

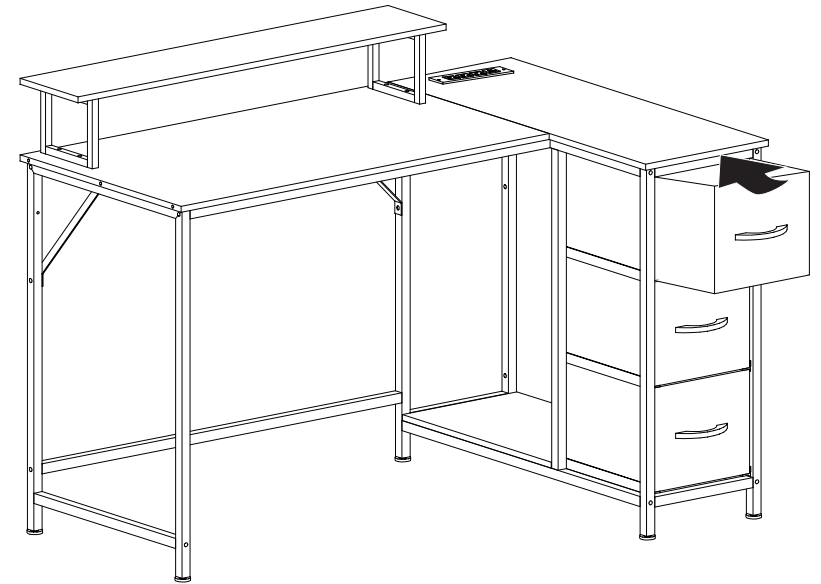
Press down the rail to ensure proper installation.

# STEP 16

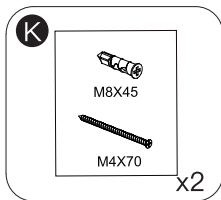


x3

# STEP 17



## STEP 18



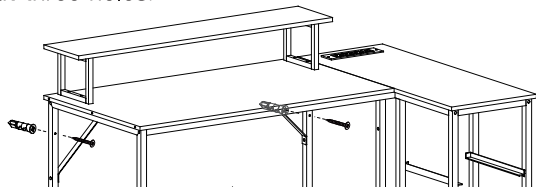
### NOTICE:

Electric drill and hammer are not included in our parts, please prepare them by yourself.

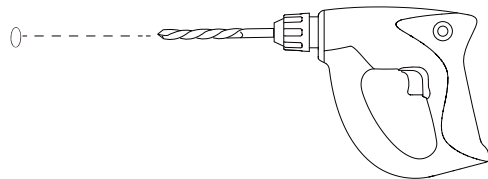
### WALL

Place the rack against the wall, locate and mark out three holes.

1



### WALL



2

### WALL

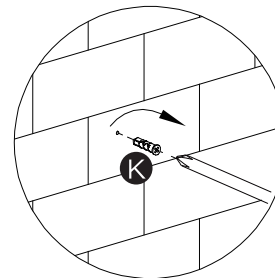


3

## STEP 19

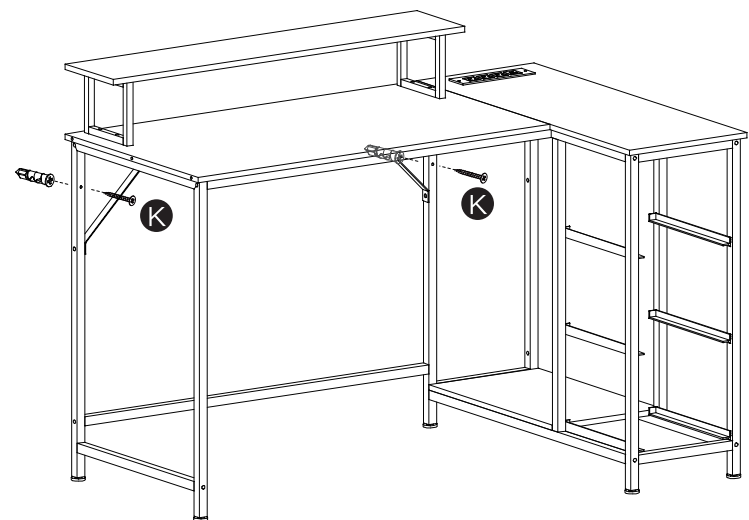
### WALL

4



### NOTICE:

Please use a screwdriver to install part K.



## **AFTERSALE SERVICE**

**Dear customer,**

Thank you so much for purchasing the product from us, we really appreciate your support.

We are aimed to provide the best shopping experience to our customers. We also want to build a mutually beneficial relationship with our customers, and step further to make our brand both reliable, responsible and recommendable.

We hope that our products could meet your needs and expectations, please consider us again if you need more products for your home and kitchen.

The package would be out of our control during shipping, please contact us through your purchasing channel directly if there is anything wrong with the box or contents. We are always here offering you our service.

We will reply your messages as soon as possible, please kindly wait for the response from our team.

Your comfort and contentment are of utmost importance.

Best Regards,  
Customer Care Specialist