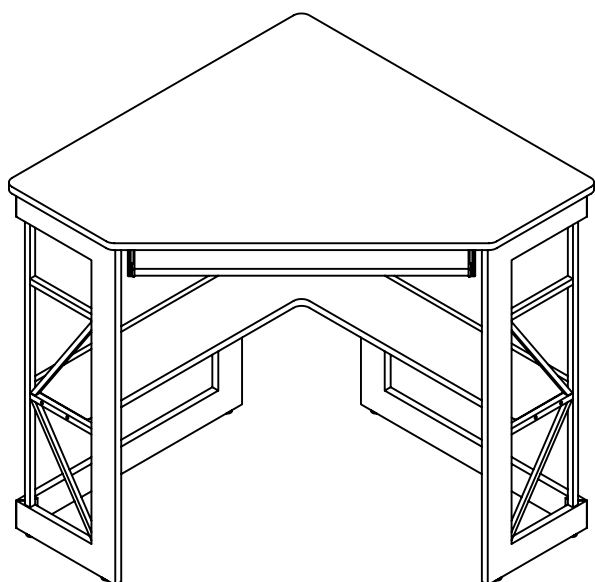


# Assembly Instructions

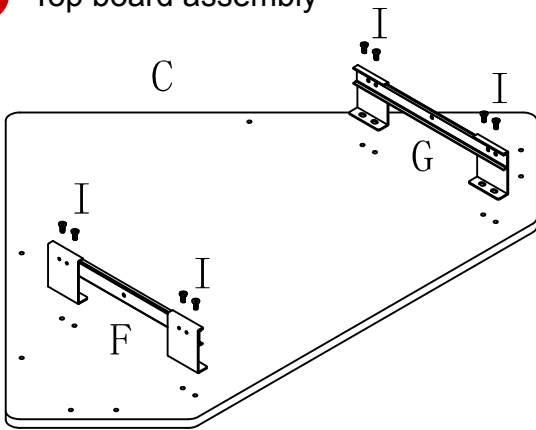
## Tips!

Check all the components & screws before assembly. **Do not install in case part is missing, contact us to get.**

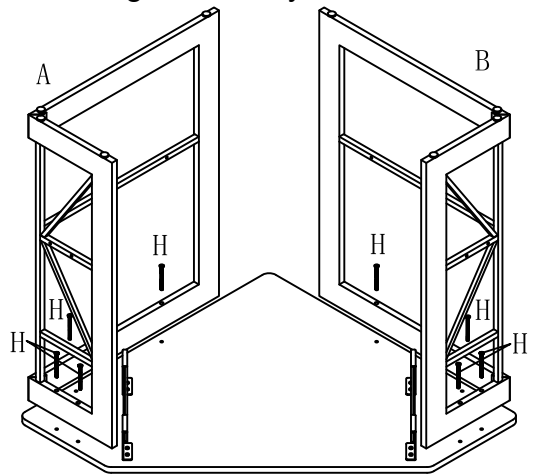


<b>A</b>		1	<b>B</b>		1
<b>C</b>		1	<b>D</b>		1
<b>E</b>		1	<b>F</b>		1
<b>G</b>		1			
<b>H</b>		8	<b>I</b>		8
<b>J</b>		8	<b>K</b>		1
<b>L</b>		1			

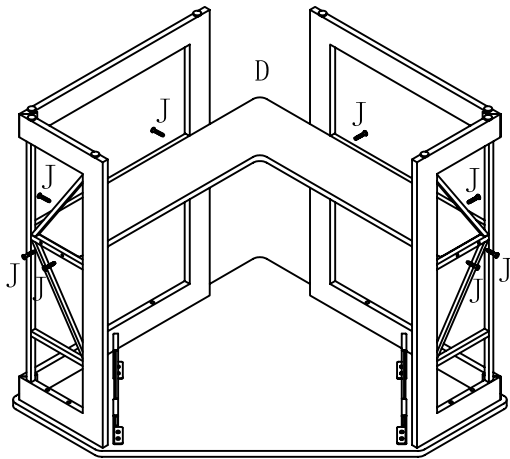
**1** Top board assembly



**2** Desk legs assembly



**3** Shelf assembly



**4** Keyboard tray assembly

