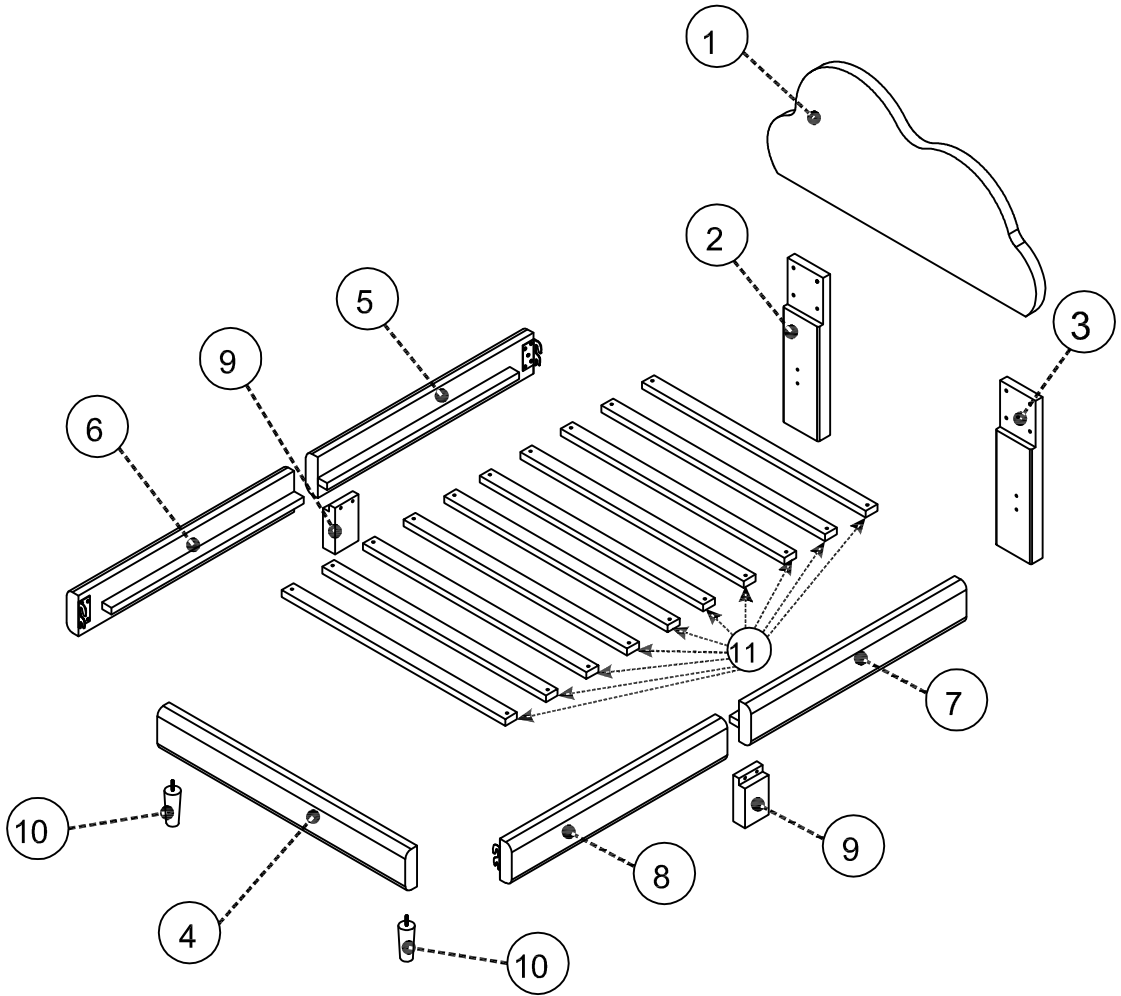


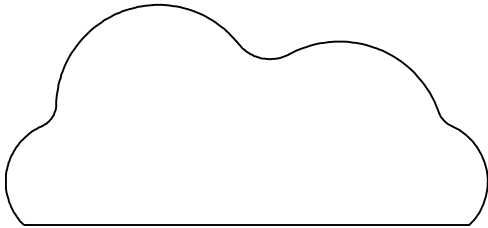
ASSEMBLY INSTRUCTIONS



PARTS

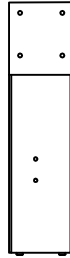
check that you've received
all parts listed below

1



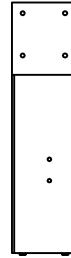
1 pc

2



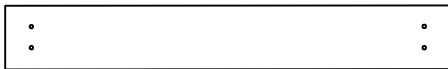
1 pc

3



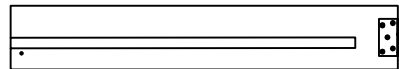
1 pc

4



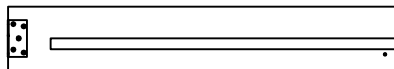
1 pc

5



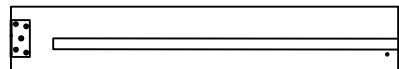
1 pc

6



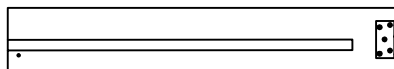
1 pc

7



1 pc

8



1 pc

9



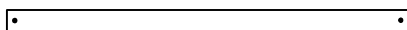
(2 pcs)

10



(2 pcs)

11



(10 pcs)

HARDWARE



HARDWARE

check that you've received
all parts listed below

Hardware List

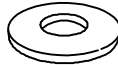
(A)



$\varnothing \frac{5}{16}'' \times 38 \text{ mm}$

12 pcs

(B)



20 pcs

(C)



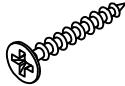
20 pcs

(D)



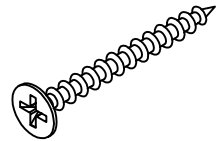
1 pc

(E)



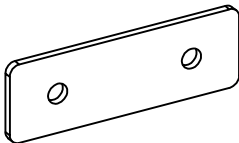
4 pcs

(F)



20 pcs

(G)



2 pcs

(H)

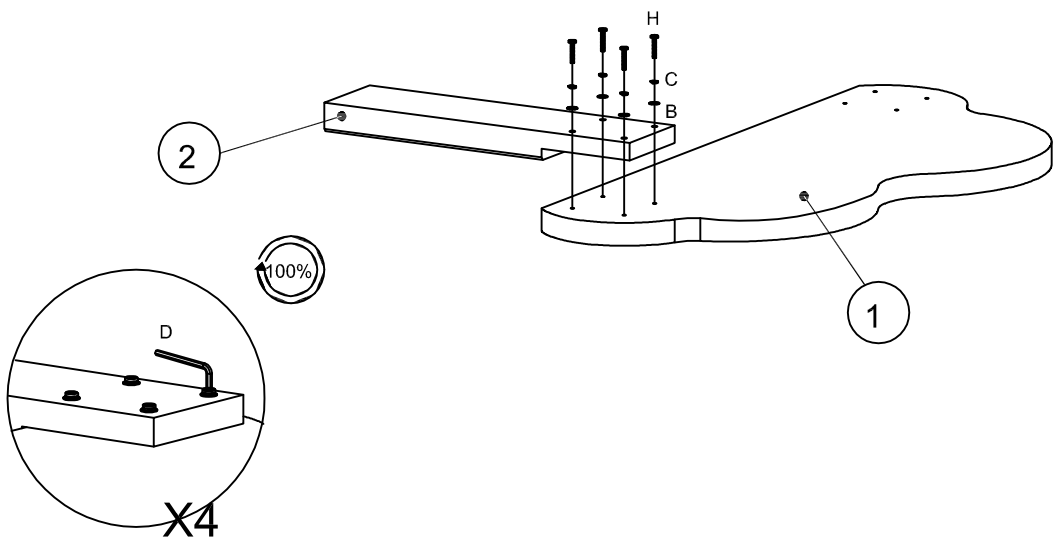


$\varnothing \frac{5}{16}'' \times 55 \text{ mm}$

8 pcs

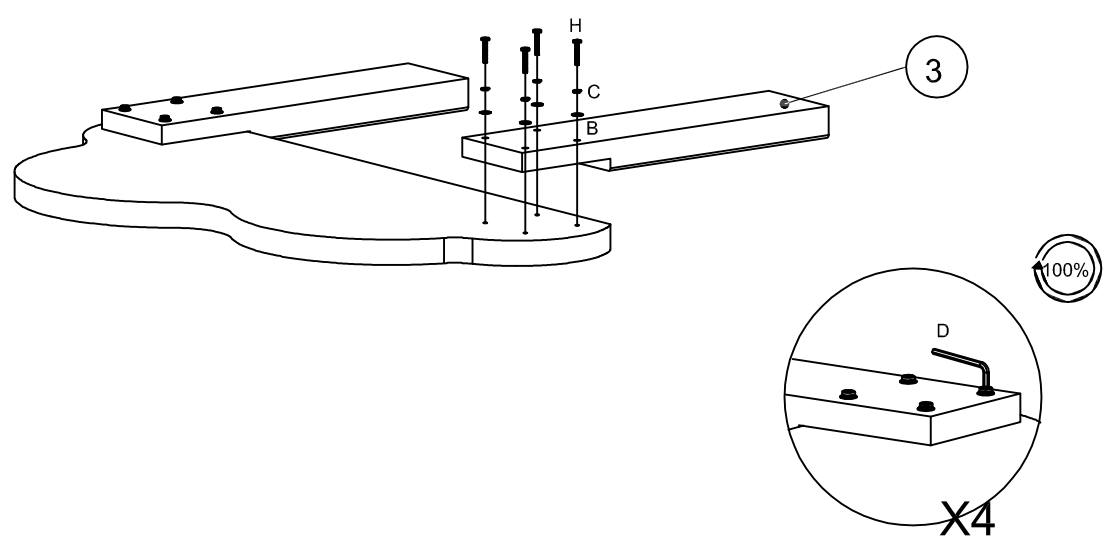
STEP 1

H x 4	B x 4	C x 4	D x 1	
-------	-------	-------	-------	--


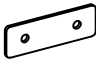


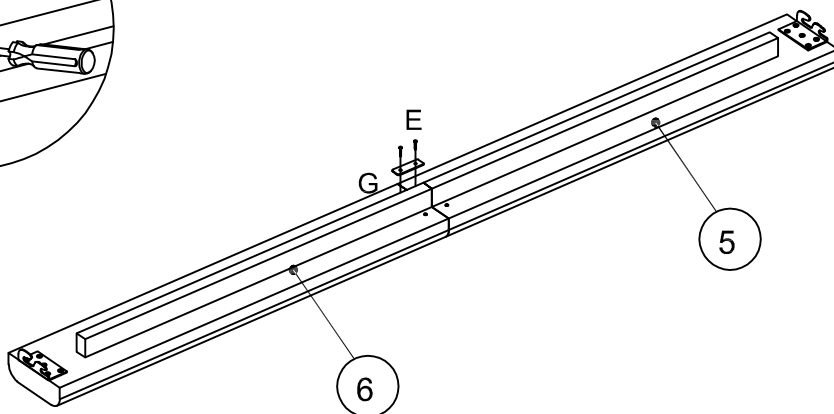
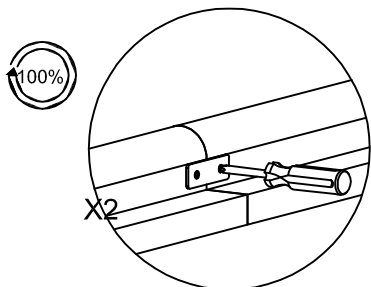
STEP 2

H x 4	B x 4	C x 4	D x 1	
-------	-------	-------	-------	--







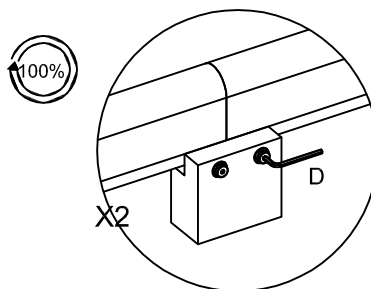
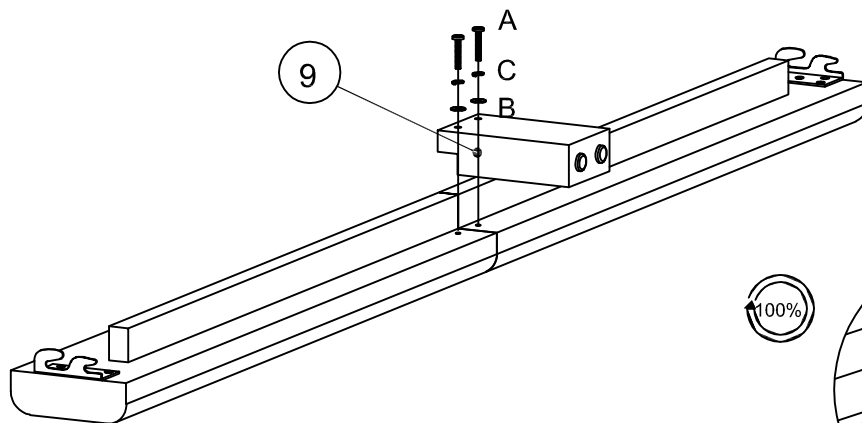
STEP 3

E x 2 	G x 1 			
--	--	--	--	--


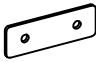


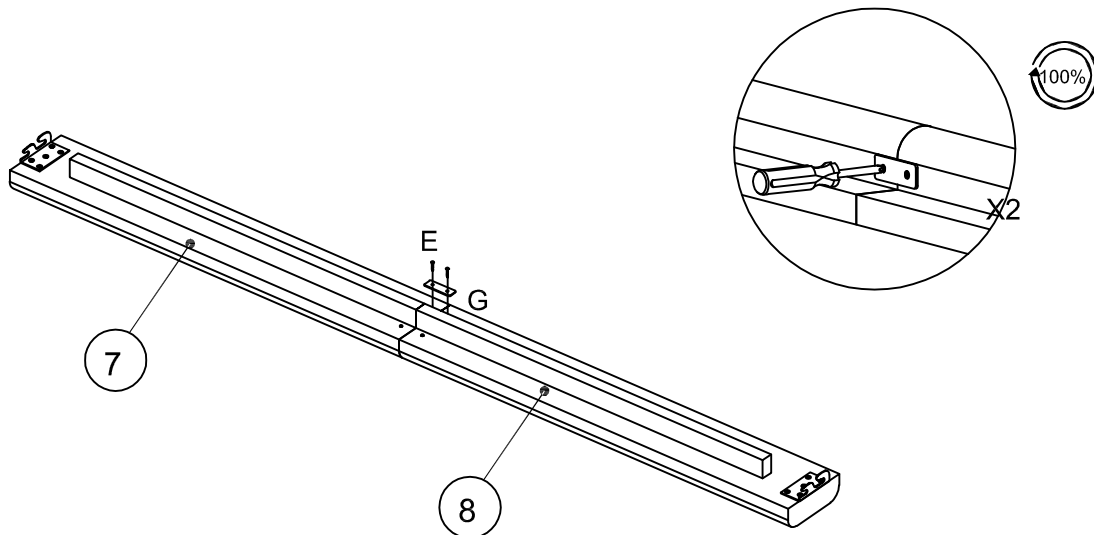
STEP 4

A x 2 	B x 2 	C x 2 	D x 1 	
--	--	--	---	--







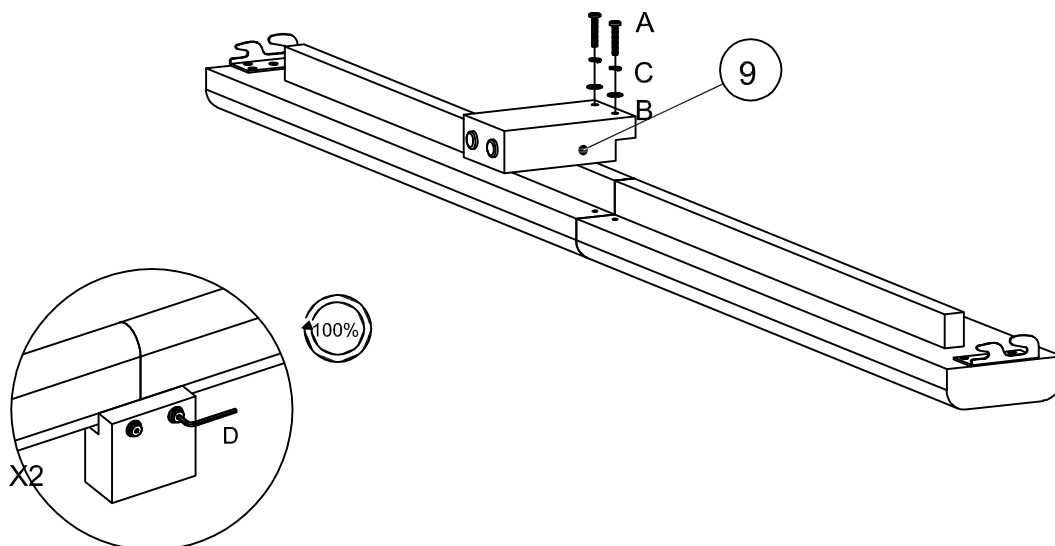
STEP 5

E x 2 	G x 1 			
--	--	--	--	--

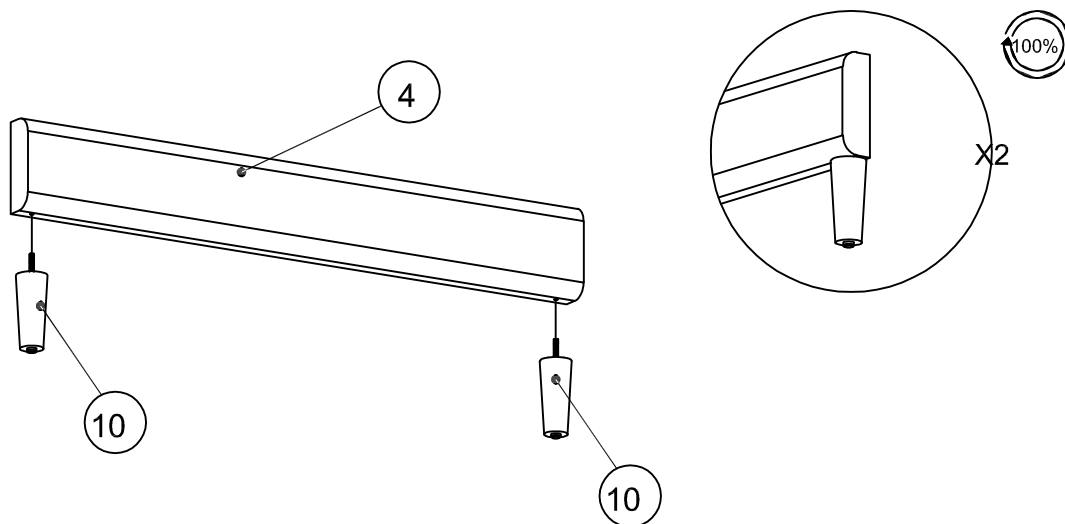


STEP 6

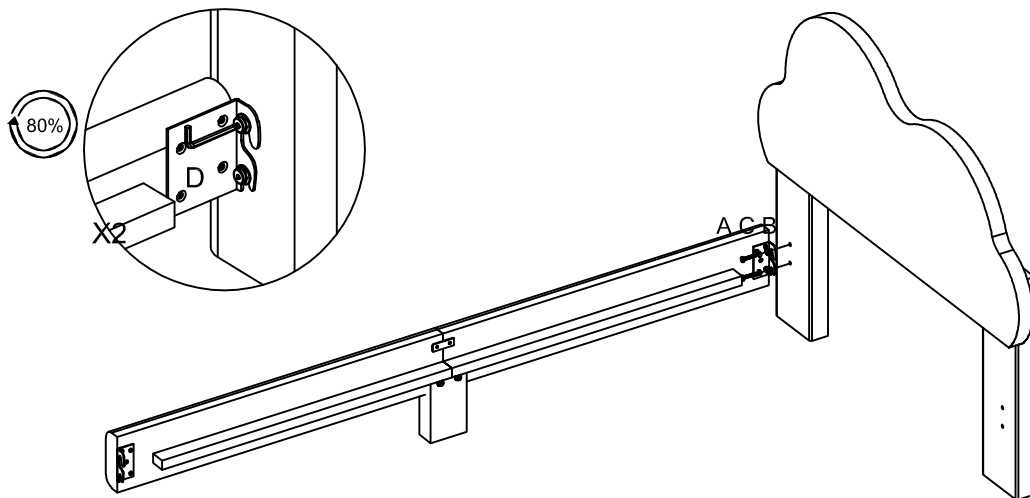
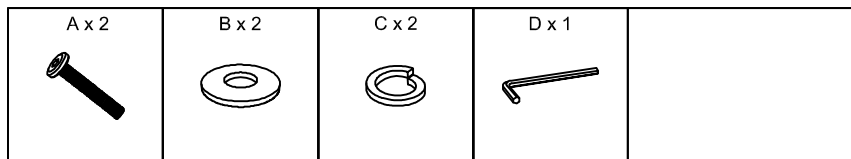
A x 2 	B x 2 	C x 2 	D x 1 	
--	--	--	---	--



STEP 7

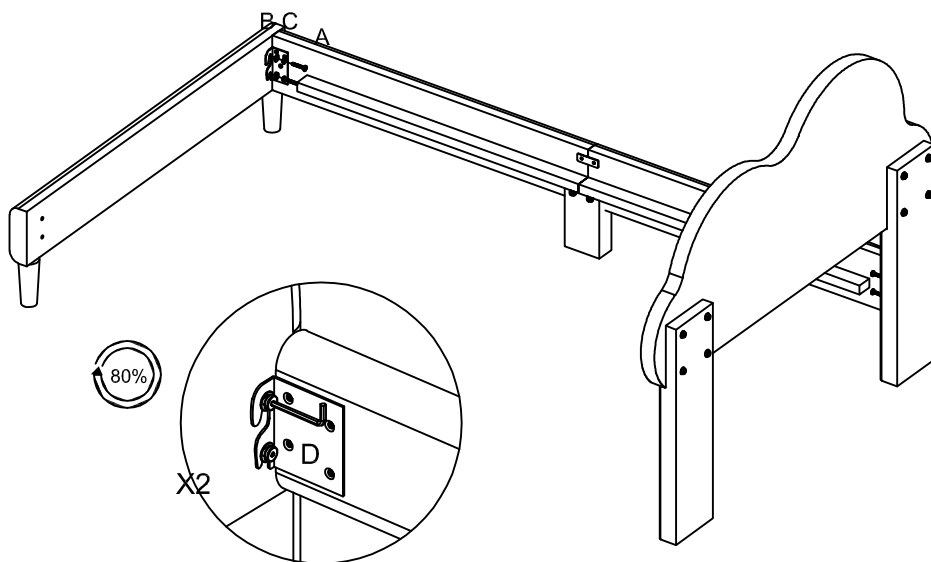


STEP 8



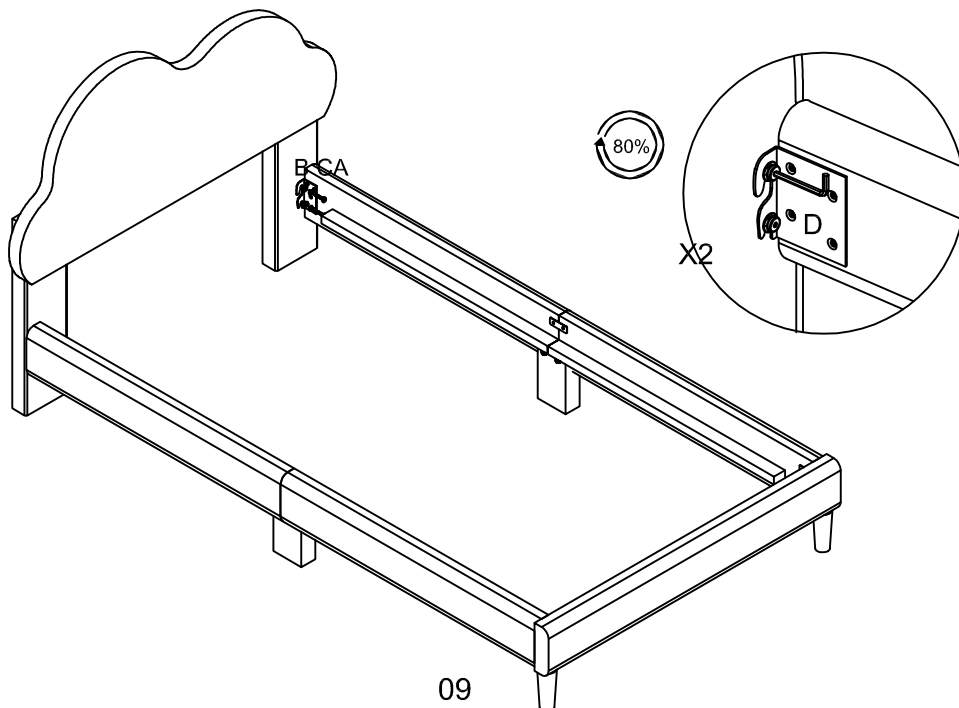
STEP 9

A x 2	B x 2	C x 2	D x 1	
-------	-------	-------	-------	--







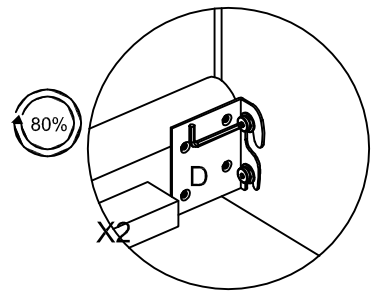
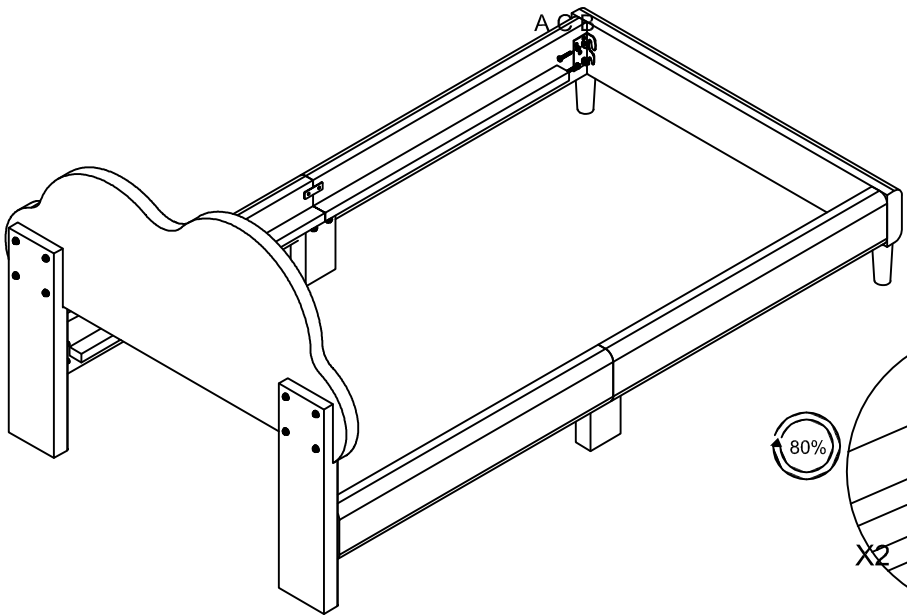
STEP 10

A x 2	B x 2	C x 2	D x 1	
-------	-------	-------	-------	--




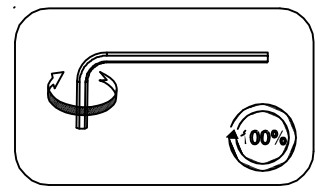
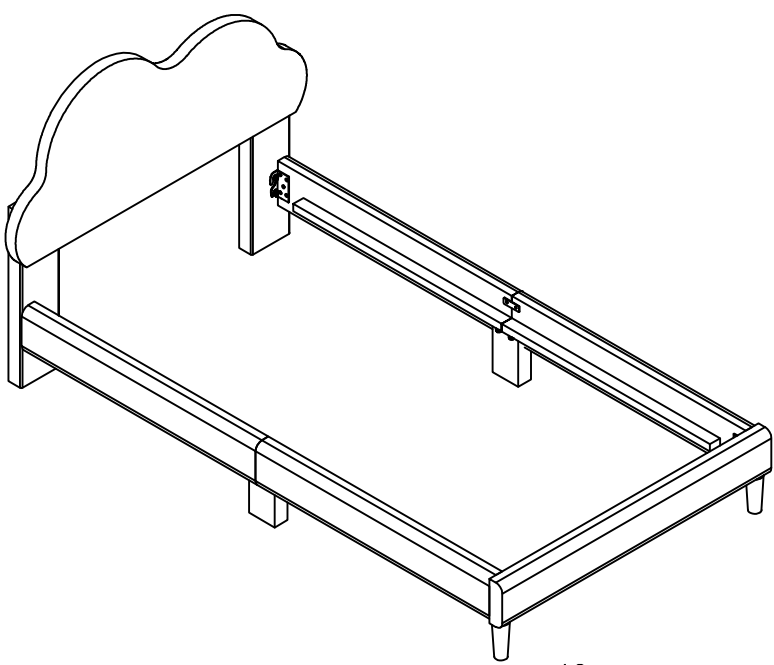
STEP 11

A x 2 	B x 2 	C x 2 	D x 1 	
--	--	--	---	--



STEP 12

D x 1 
--



STEP 13

F x 20

