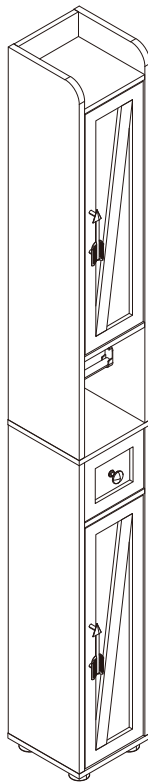


Installation & Assembly



Tips!

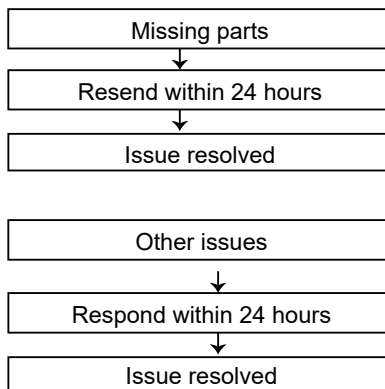
Check all the components & screws before assembly. **Do not install in case part is missing, contact us to get.**

Return Policy

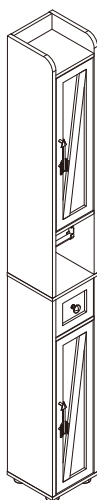
We believe you will absolutely love your new item. But if for some reason you want to return, please contact us directly before you decide to return your product. Our customer service organization can answer most concerns and assist you with any questions you may have about your new item.

The item must be returned within 30 days of delivery for a full refund. The item must be returned in good condition, in original box, with all original proof of purchase, parts and accessories.

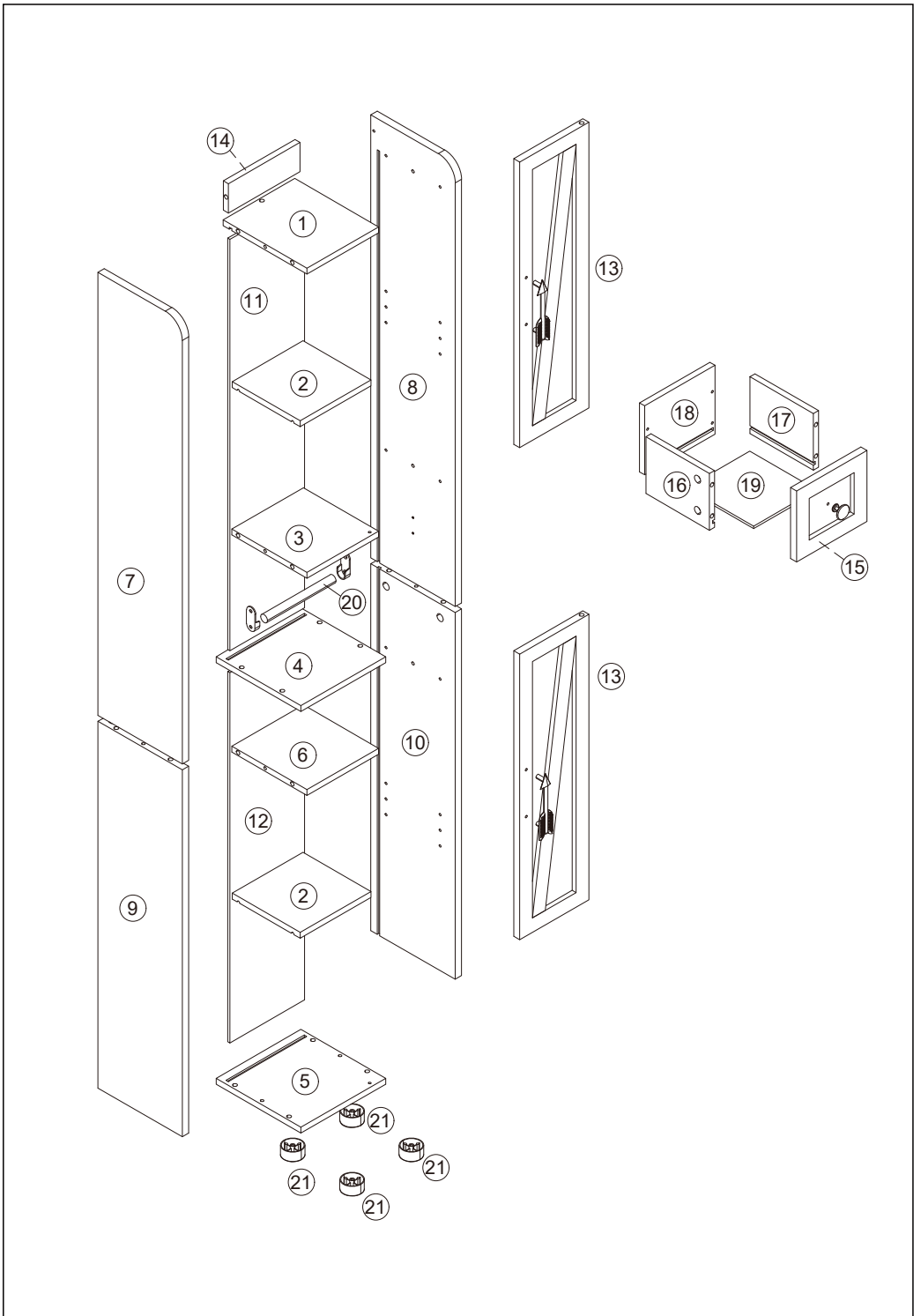
Trouble shooting:



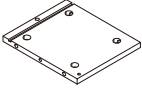
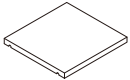
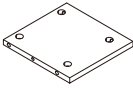
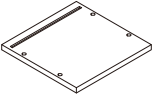
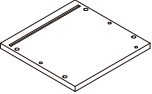
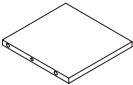
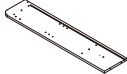
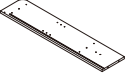

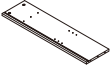
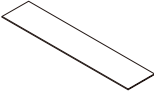


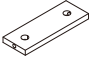
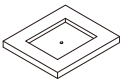
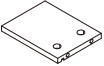
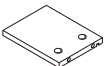
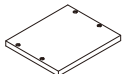
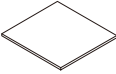
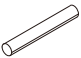

We control manufacturing and distribution ourselves, ensure the quality.















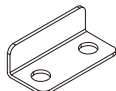

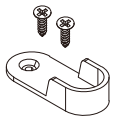



Item Description: Bathroom Cabinet

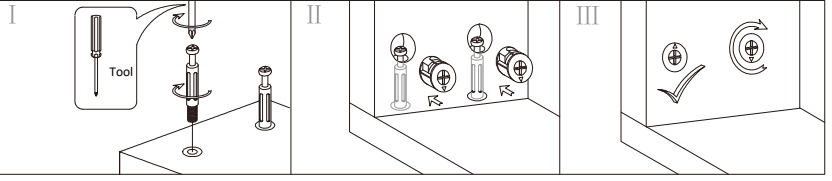


Components / Bauteile / Composants / Componenti / Componentes /

1	 169x198x12mm	1	2	 167x156x12mm	2	3	 169x177.5x12mm	1	4	 200x200x12mm	1
5	 200x200x12mm	1	6	 169x177.5x12mm	1	7	 906x199x15mm	1	8	 906x199x15mm	1
9	 750x199x15mm	1	10	 750x199x15mm	1	11	 841x176x5mm	1	12	 757x176x5mm	1
13	 584x163x14mm	2	14	 169x60x12mm	1	15	 166x145x14mm	1	16	 150x116x12mm	1
17	 150x116x12mm	1	18	 166x141x12mm	1	19	 149x158x5mm	1	20	 φ13x160mm	1
21	 Ø20	4									

<p>A</p>  <p>Ø6x35mm 22pcs</p>	<p>B</p>  <p>Ø15x10mm 22pcs</p>	<p>C</p>  <p>Ø6x30mm 10pcs</p>	<p>D</p>  <p>Ø4*35mm 9pcs</p>	<p>E</p>  <p>Ø3.5x14mm 10pcs</p>
<p>F</p>  <p>Ø4x35mm 4pcs</p>	<p>G</p>  <p>Ø3.5x25mm 4pcs</p>	<p>H</p>  <p>2pcs</p>	<p>I</p>  <p>2pcs</p>	<p>J</p>  <p>2pcs</p>
<p>K</p>  <p>12pcs</p>	<p>L</p>  <p>2pcs</p>	<p>M</p>  <p>1pc</p>	<p>N</p>  <p>M4x8mm 1pc</p>	<p>O</p>  <p>M4x18mm 4pcs</p>
<p>P</p>  <p>4pcs</p>	<p>Q</p>  <p>1pc</p>	<p>R</p>  <p>2pcs</p>	<p>S</p>  <p>Ø5x16 8pcs</p>	<p>T</p>  <p>2pcs</p>
<p>U</p>  <p>M4 1pc</p>				

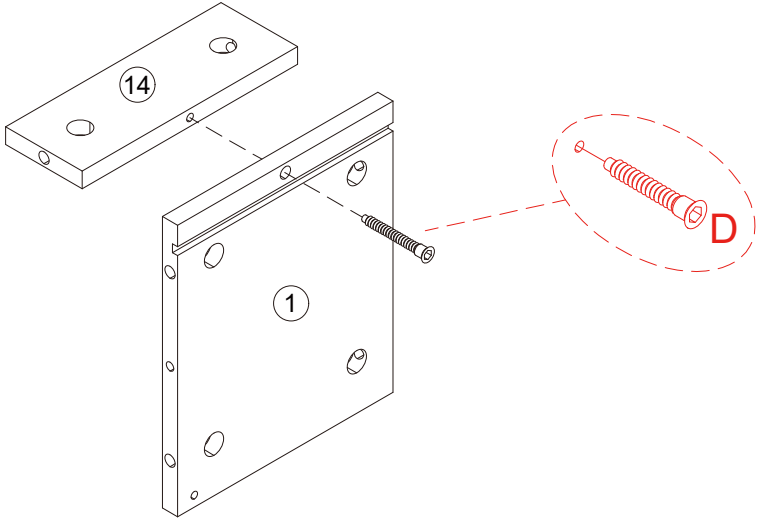
"A&B" Hardware
Assembly example



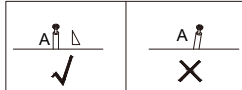
1



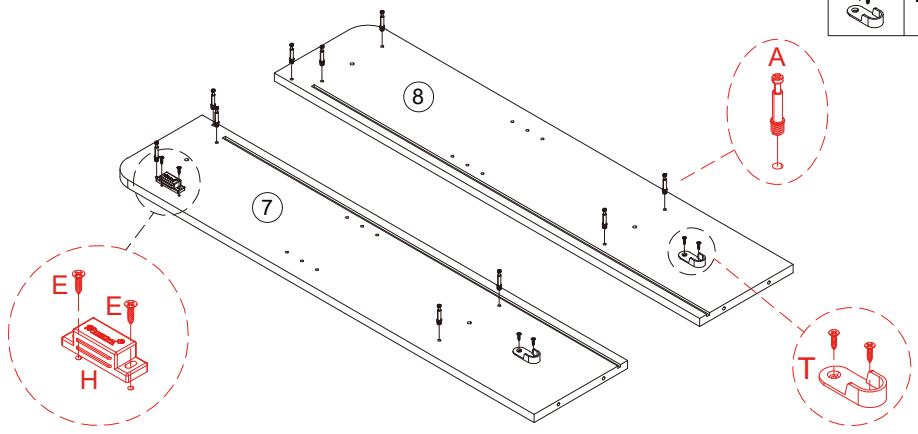
Dx1



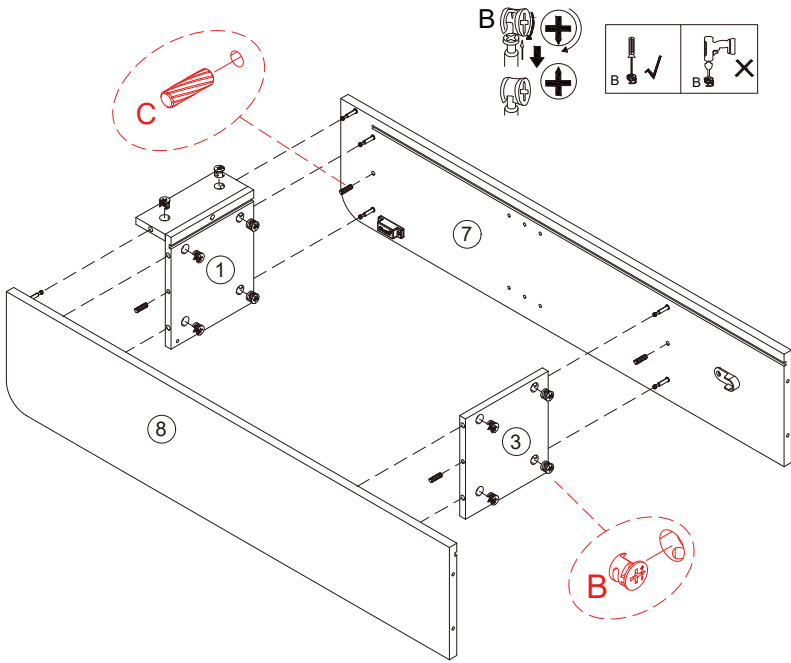
2



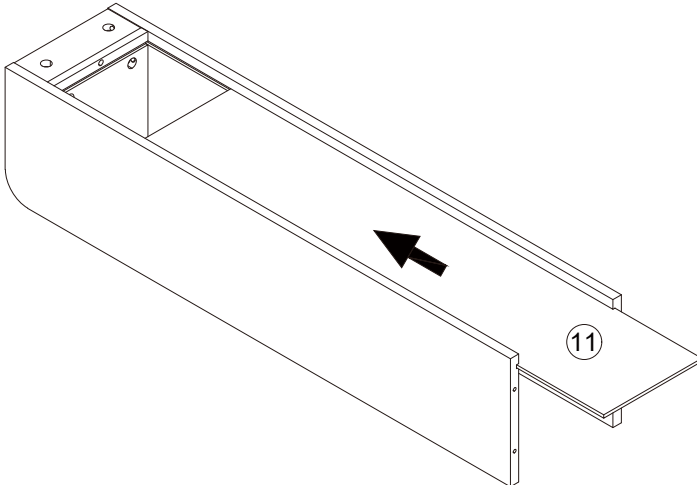
	Ax10
	Ex2
	Hx1
	Tx2



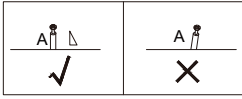
3



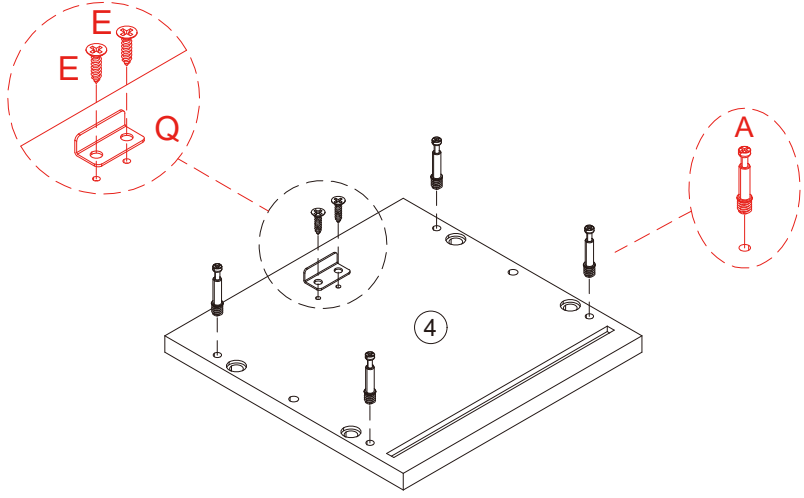
4



5

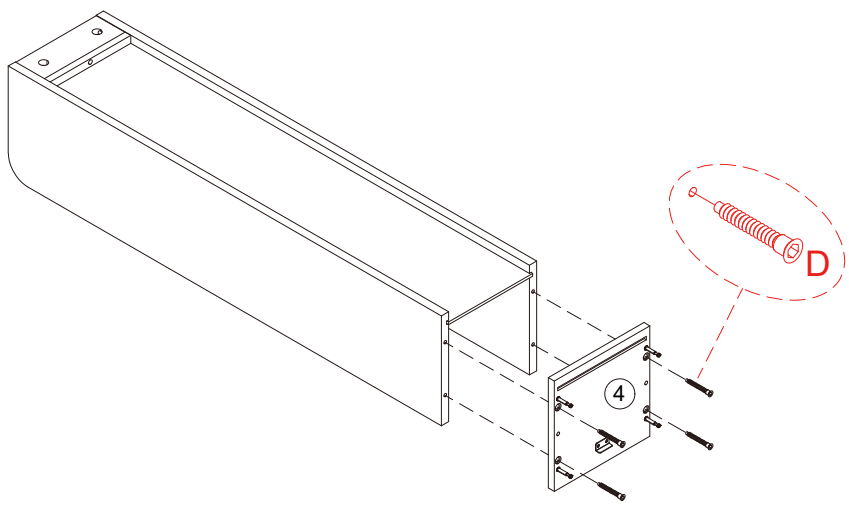


	Ax4
	Ex2
	Qx1

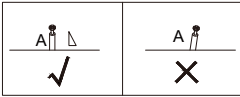





6

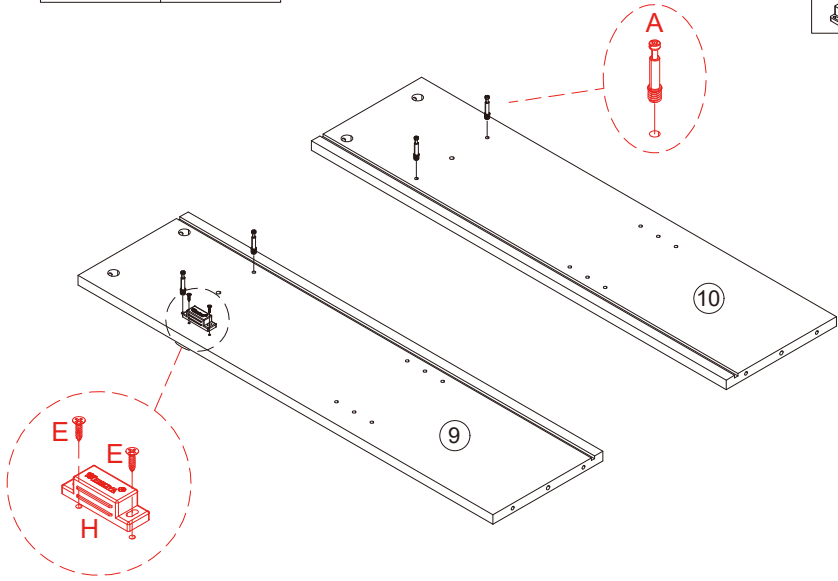
	Dx4
--	-----



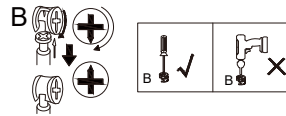
7





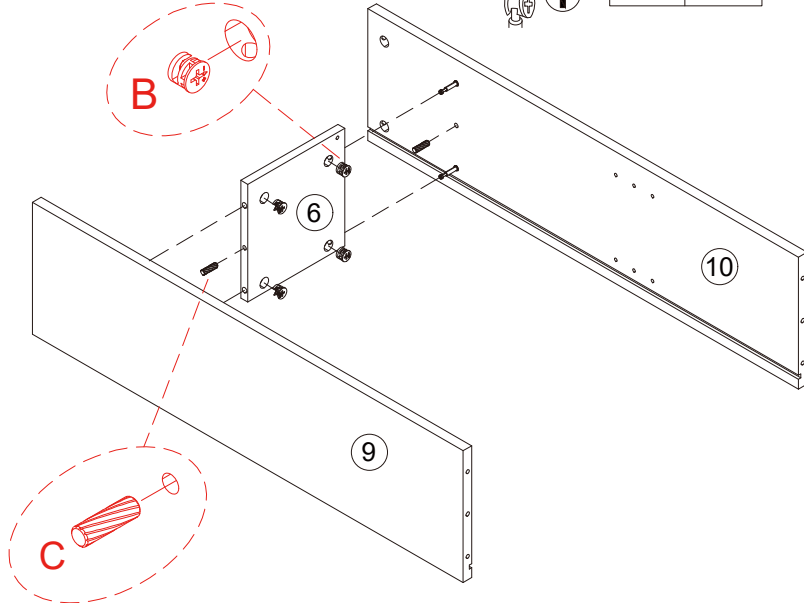
	Ax4
	Ex2
	Hx1




8




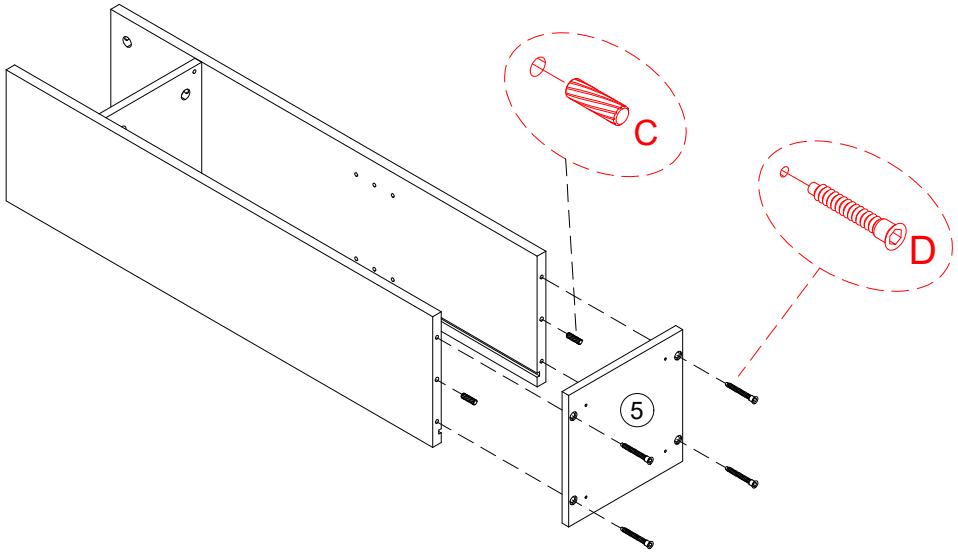
	Bx4
	Cx2



9

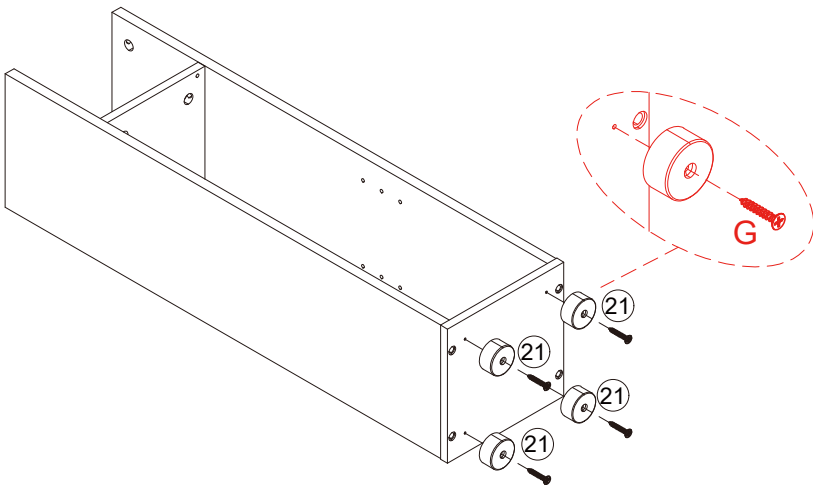
 Dx4

 Cx2

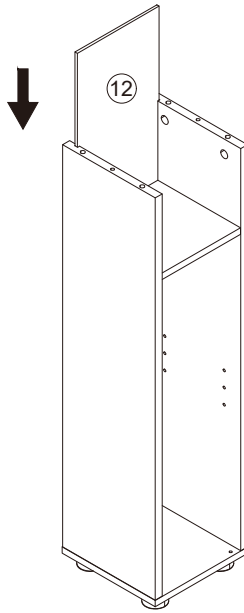


10



 Gx4

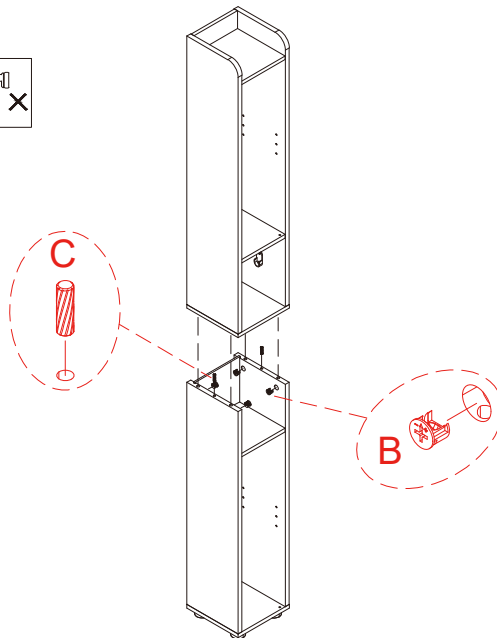
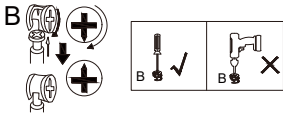


11

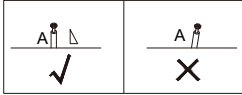





12

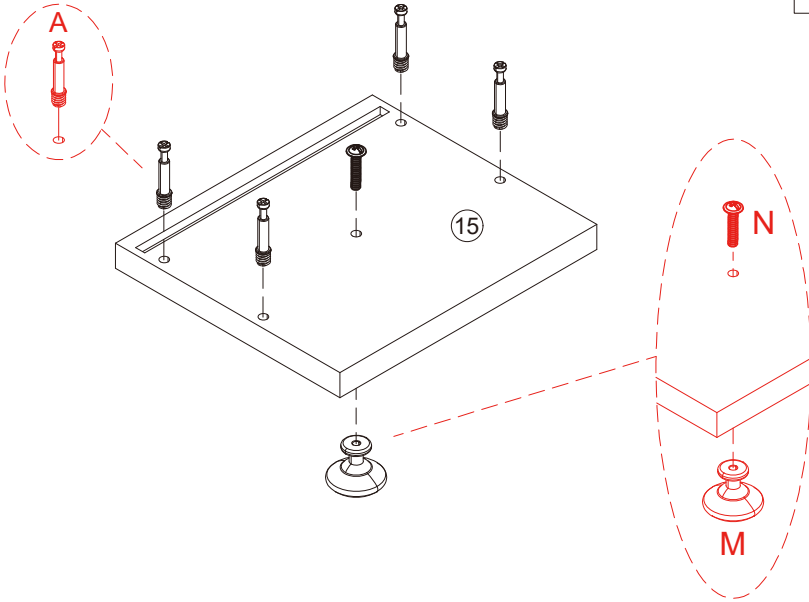
	Bx4
	Cx2



13

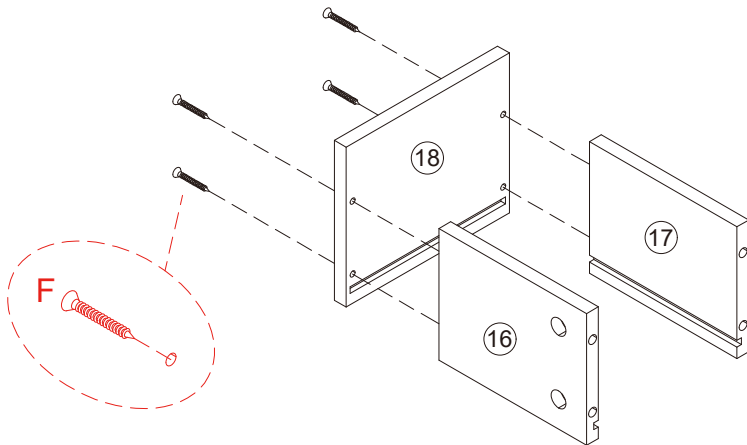


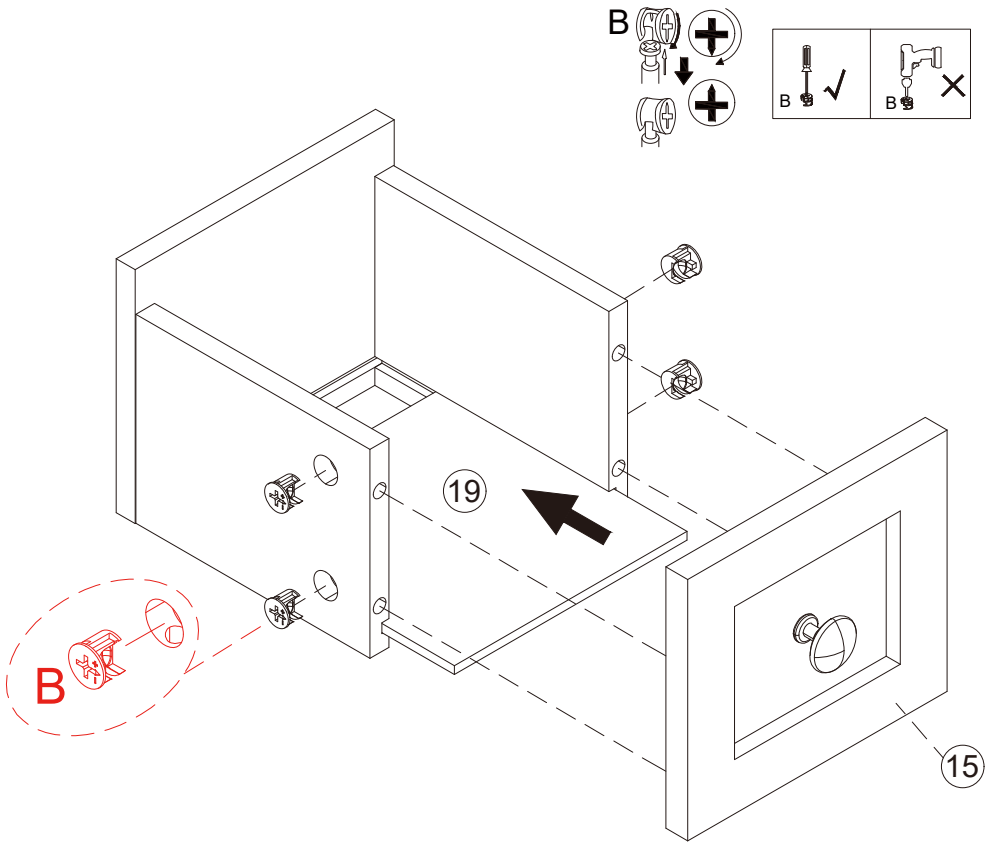
	Ax4
	Mx1
	Nx1

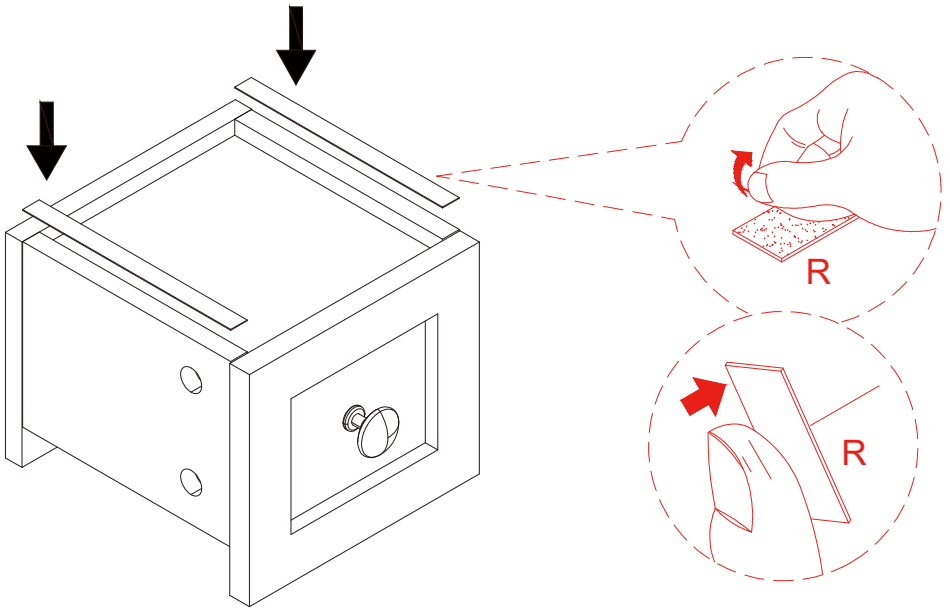


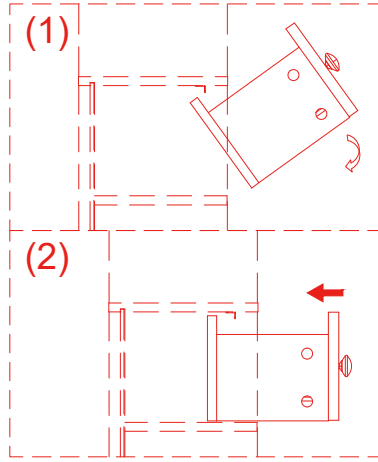
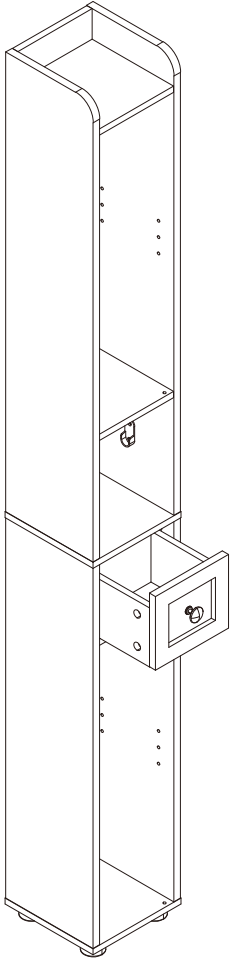
14

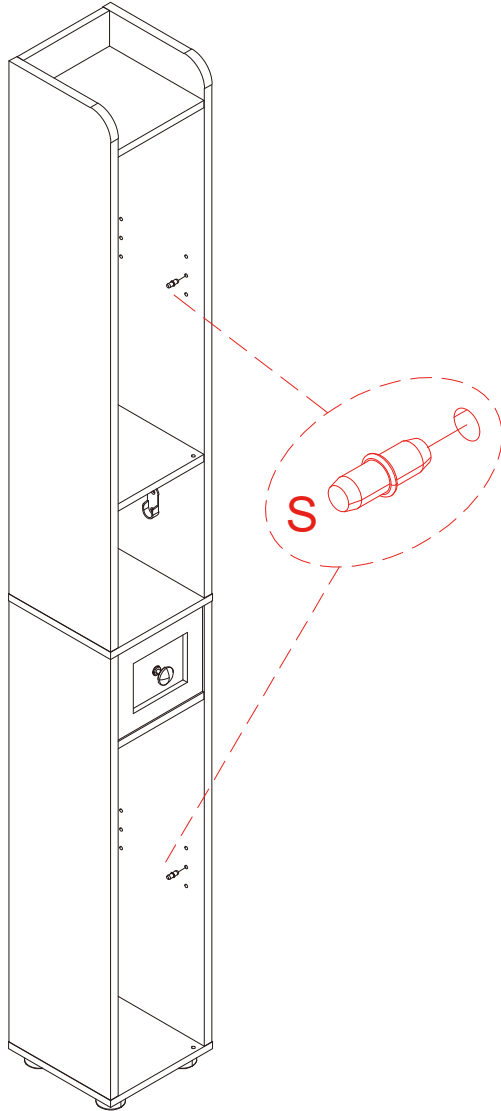
	Fx4
------------------------------------------------------------------------------------	-----

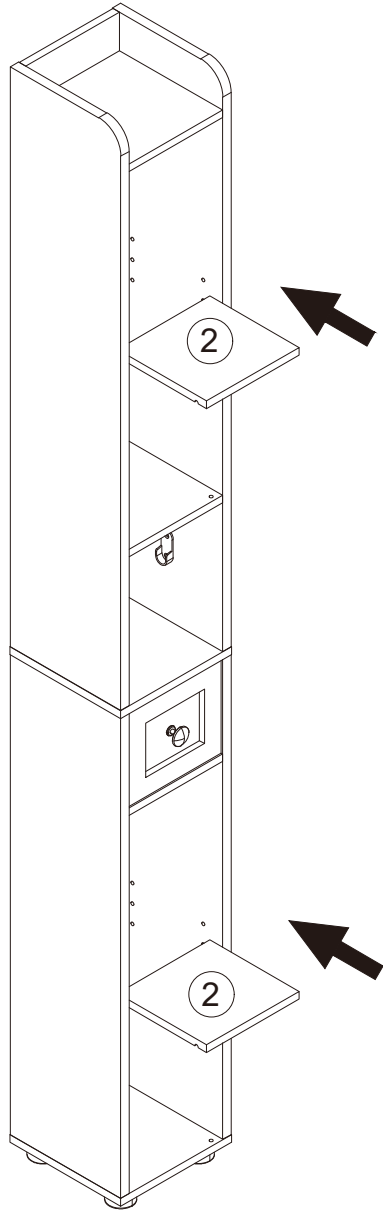










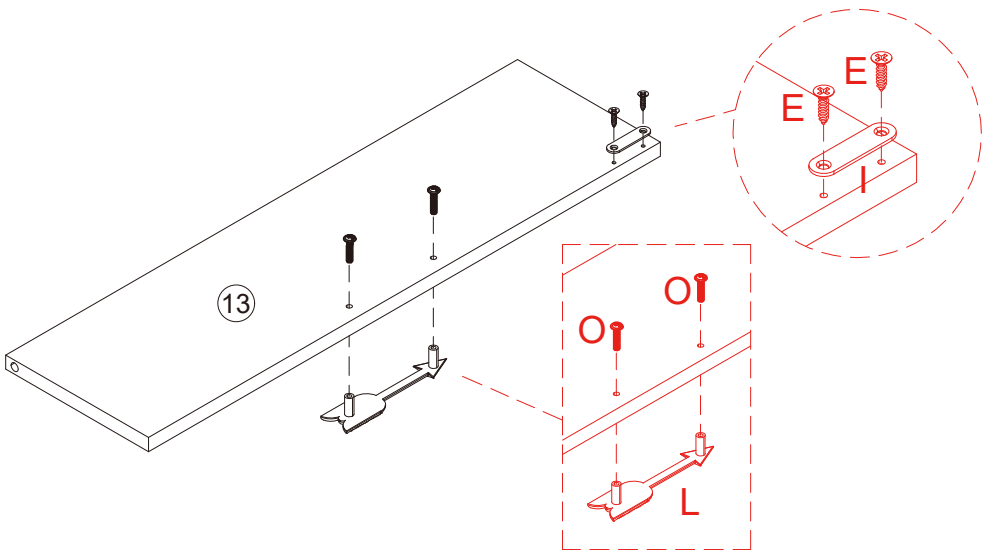






	Ex4
	Ix2
	Lx2
	Ox4

x2





x2

