

## INSTALLATION GUIDE

### *Nine Pendant*

---

Thoughtful lighting, responsibly designed in London.

Thank you for making the switch to Tala.  
Discover the full Tala family at [us.tala.co.uk](https://us.tala.co.uk)

---

### BEFORE STARTING

We recommend the installation of our Canopy and Pendants is performed by a qualified electrician. Please read the instructions thoroughly before commencing work and keep them for future reference. Please take extreme care when carrying out these instructions.

### IMPORTANT

This light fitting must be connected to the earth supply. If your lighting circuit does not have an earth, ask a qualified electrician to provide an earth facility. This light fitting is suitable for indoor use only. This fitting operates on 120V mains voltage. For a list of recommended dimmers to pair with this light fitting, please visit our website.

### WARNING

You must switch off electricity supply at the mains during installation and maintenance. We strongly recommend that you withdraw the fuse or switch off the circuit breaker whilst work is in progress. Do not only turn off the wall switch. All fittings must be installed in accordance with current NFPA 70, National Electrical Code (NEC).

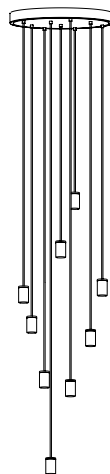
### RECOMMENDED EQUIPMENT

- Small flat head screwdriver
- Wire strippers
- Insulation tape

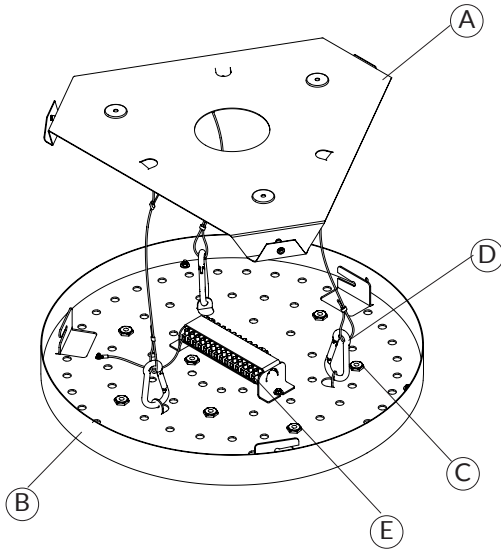
Further equipment may be required for fixing to your ceiling.

---

SKU - CP-WHT-LRG-OP-01-US  
SKU - CP-WHT-LRG-WP-01-US  
SKU - CP-WHT-LRG-BP-01-US  
SKU - CP-BLK-LRG-GP-01-US



# NINE PENDANT - PROVIDED COMPONENTS



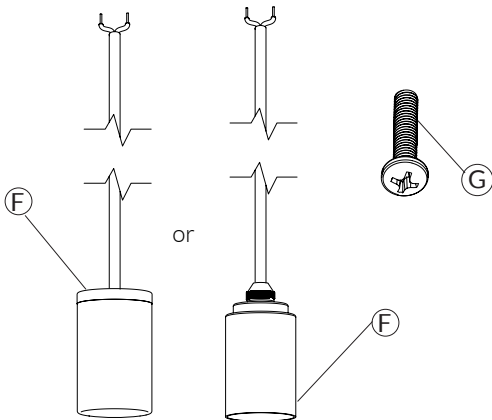
(A) x1 Ceiling Bracket

(B) x1 Ceiling Plate

(C) x9 Cord Grips

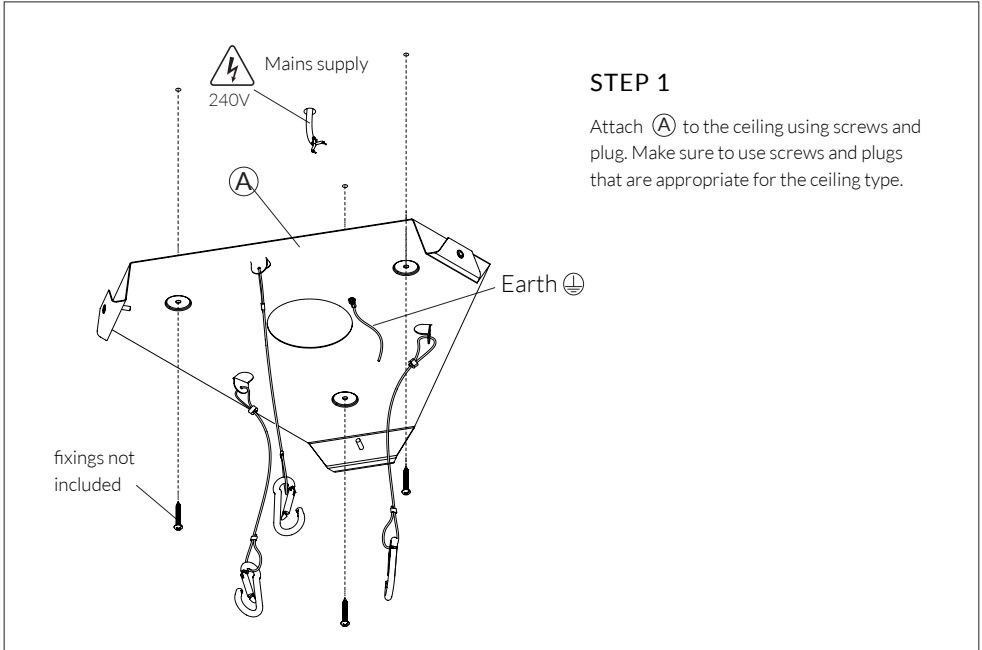
(D) x3 Safety Teathers and Clips

(E) x1 Junction Box



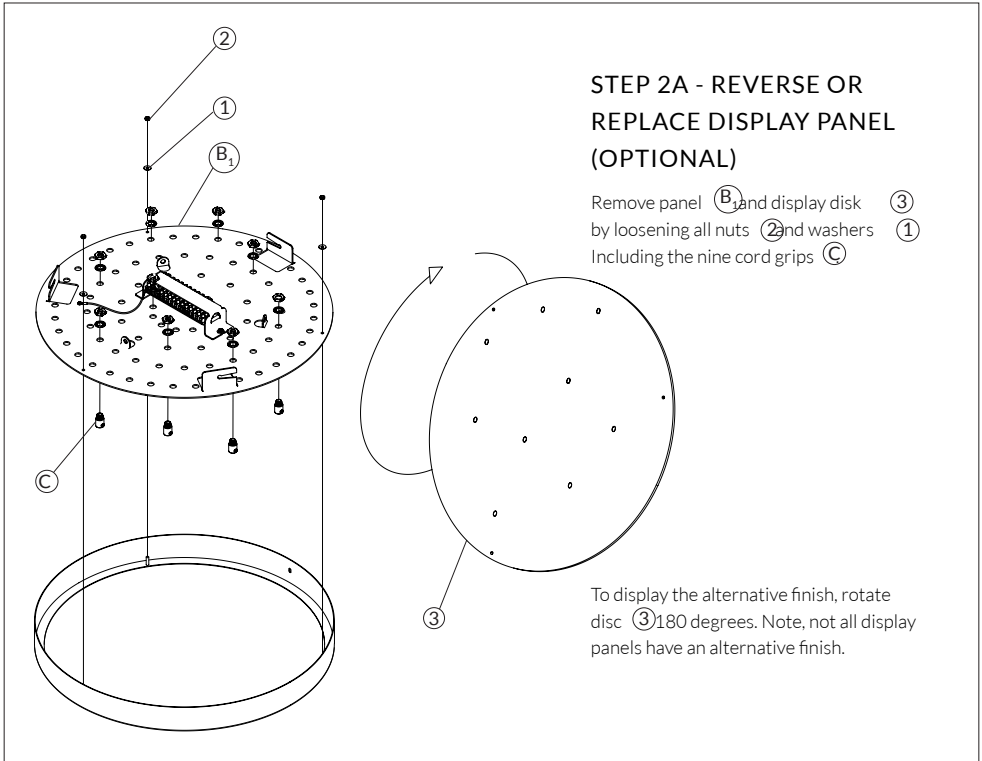
(F) x9 Tala Pendants  
*Oak, Walnut,  
Brass or Graphite*

(G) x1 M4 20MM bolt



### STEP 1

Attach (A) to the ceiling using screws and plug. Make sure to use screws and plugs that are appropriate for the ceiling type.



### STEP 2A - REVERSE OR REPLACE DISPLAY PANEL (OPTIONAL)

Remove panel (B<sub>1</sub>) and display disk (3) by loosening all nuts (2) and washers (1) including the nine cord grips (C)

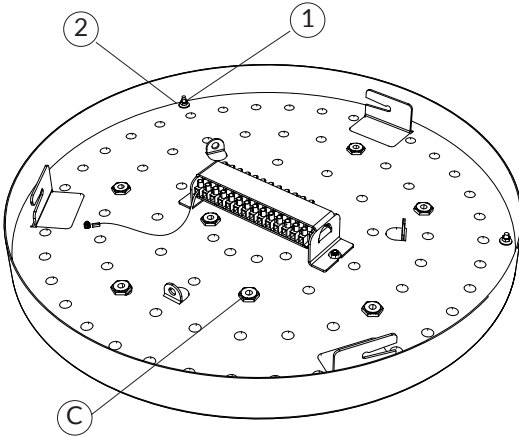
To display the alternative finish, rotate disc (3) 180 degrees. Note, not all display panels have an alternative finish.

## STEP 2B

Re-assemble the plate in the same order and fasten it securely with nuts and washers ②

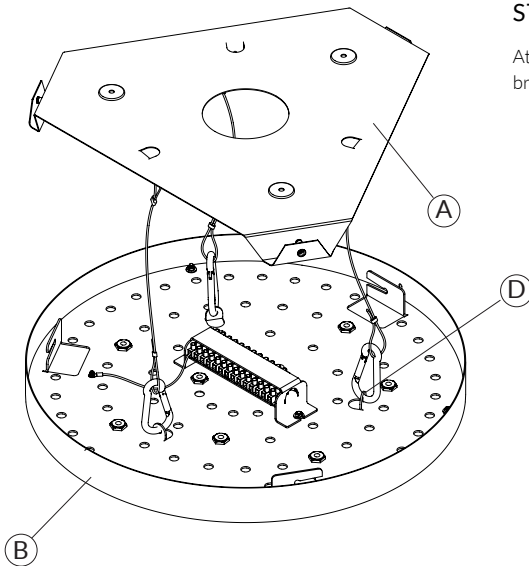
Replace the Cord grips ③ and secure with the nuts and washers.

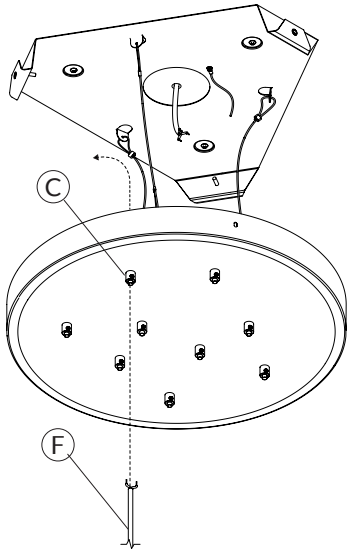
Tighten all firmly with a spanner/wrench



## STEP 3

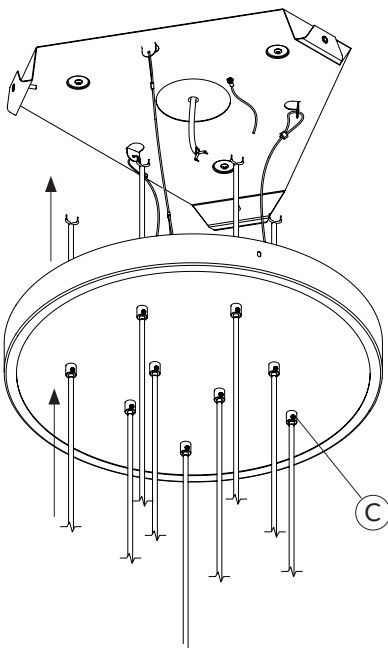
Attach ceiling plate ④ to ceiling bracket ⑤ using safety tether clips ⑥





#### STEP 4

Thread all nine pendant cables **F** through ceiling plate cord grips **C**.



#### STEP 5

Pull cables through to your desired length. See end of this guide for our recommended lengths and distance between bulbs.

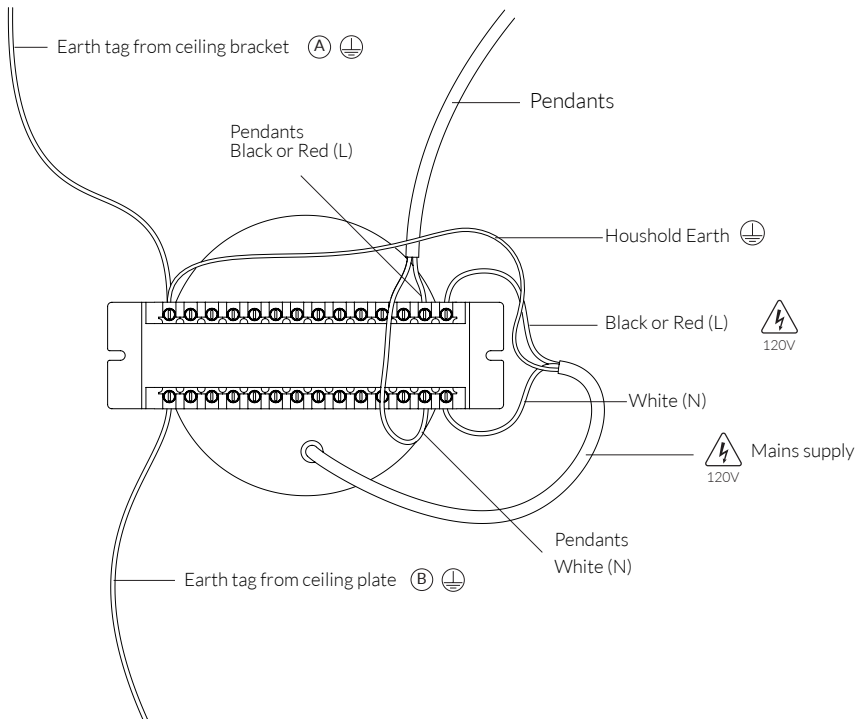
Using a flat head screwdriver, tighten set screws **C** to secure them.

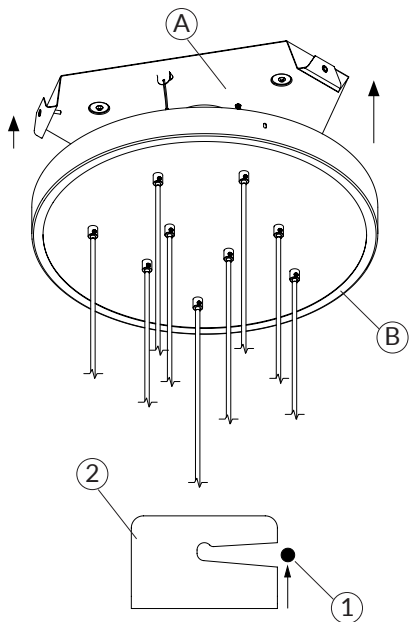
#### STEP 6

Cut off excess cable and strip wires to expose the copper core. Maintain all double insulation.

## STEP 7

Connect the pendants, plate and mains wiring as shown.

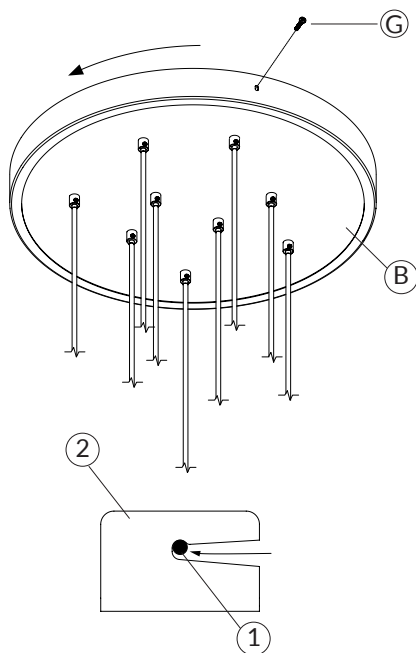




## STEP 8

Lift (B) to sit flush with (A)

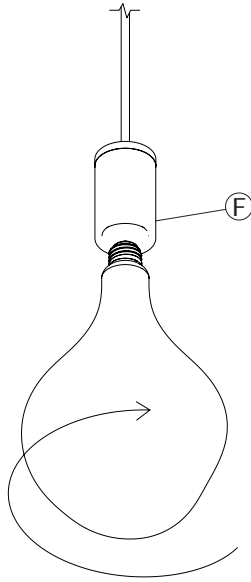
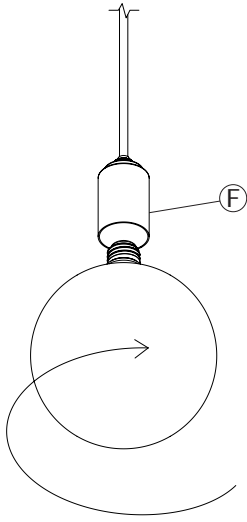
Make sure the pins (1) are located at the opening of the bayonet fitting (2)



## STEP 9

Rotate plate (B) anti-clockwise until the pin is locked into the (1) bayonet mechanism (2)

Secure plate (B) in place using bolt (G)



## STEP 10

Insert bulbs into pendants (F)  
and screw clockwise

## PENDANTS DISPLAY GUIDE

### MINIMUM CORD LENGTH (A)

For all bulbs shortest recommended cord length  
is **14 in**

### DISTANCE BETWEEN PENDANTS (B)

Recommended minimum distance  
between pendant, dependant on  
bulb style, are as follows:

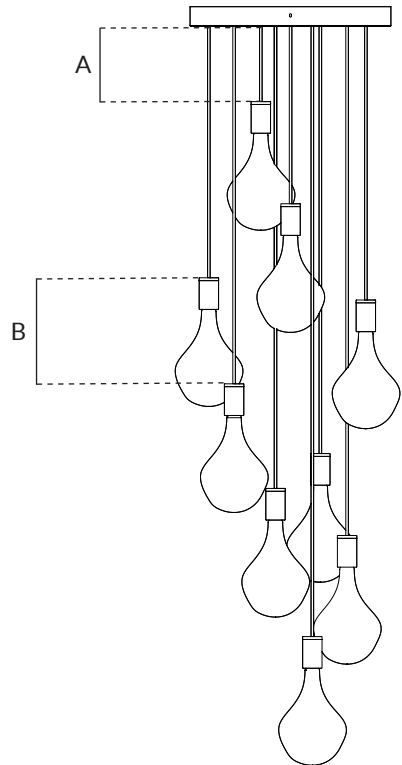
Voronoi I - **6 in**

Voronoi II - **8 in**

Voronoi III - **14 in**

Basalt - **4 in**

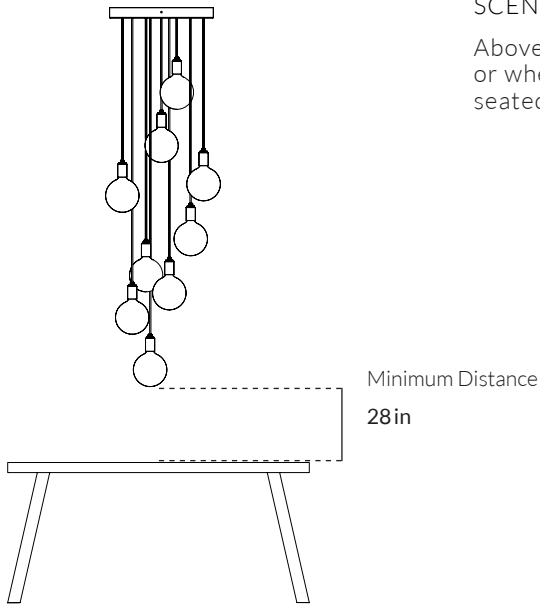
All other bulbs - **4 in**



## PENDANTS - RECOMMENDED CABLE LENGTHS

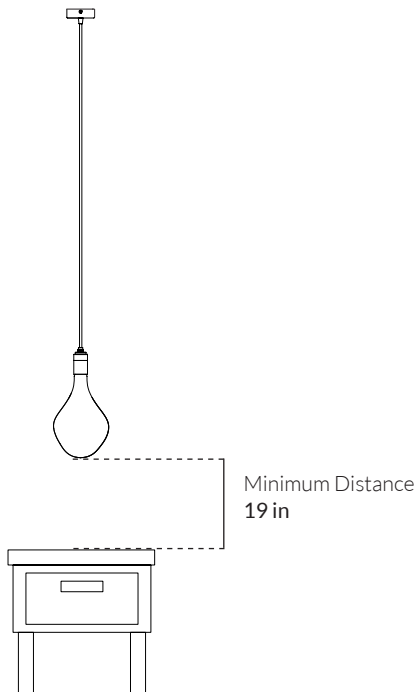
### SCENARIO 1

Above a coffee or dining table, or where height is required for seated tasks



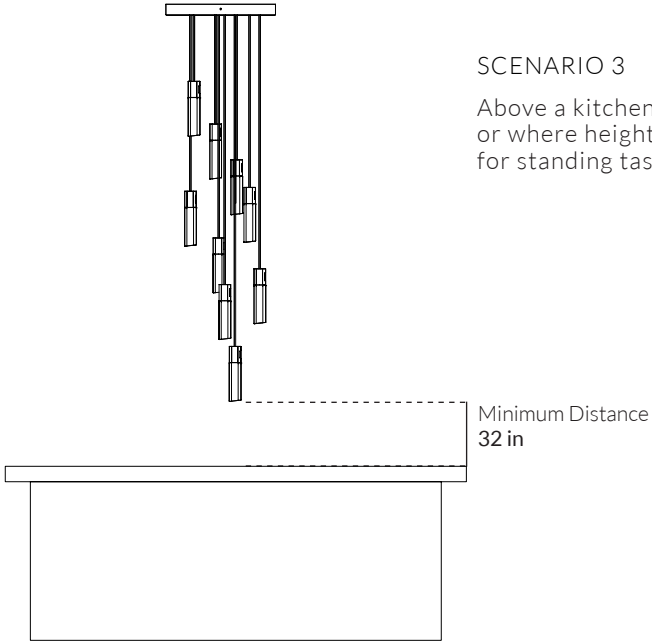
### SCENARIO 2

Above side tables, or where height is required for storage



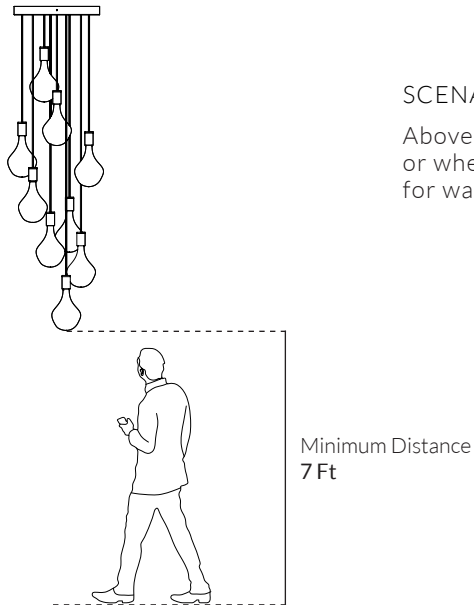
### SCENARIO 3

Above a kitchen island or bar,  
or where height is required  
for standing tasks



### SCENARIO 4

Above a stairwell or walkway,  
or where height is required  
for walking underneath



---

## CARE AND CLEANING

We recommend cleaning with a soft dry cloth. Do not use abrasive materials as these will damage the finish of the product. Do not expose any part of the bulb or pendant to water or moisture.

## WARRANTY AND AFTER-CARE

This product is covered by a three year warranty. Within this time, we will replace any parts that show functional defects or malfunctions.

Please report any signs of fault or damage to our Customer Service team, along with supporting visual evidence, by emailing: [customerservice@tala.co.uk](mailto:customerservice@tala.co.uk).

---

### Join the Community

[hello@tala.co.uk](mailto:hello@tala.co.uk) | Instagram: @tala | Facebook: talaHQ | Pinterest: TalaLED | Tag: lighttoliveby  
Tala North America, Inc. P.O. Box 89, 1051 Port Washington Blvd. Port Washington, NY 11050