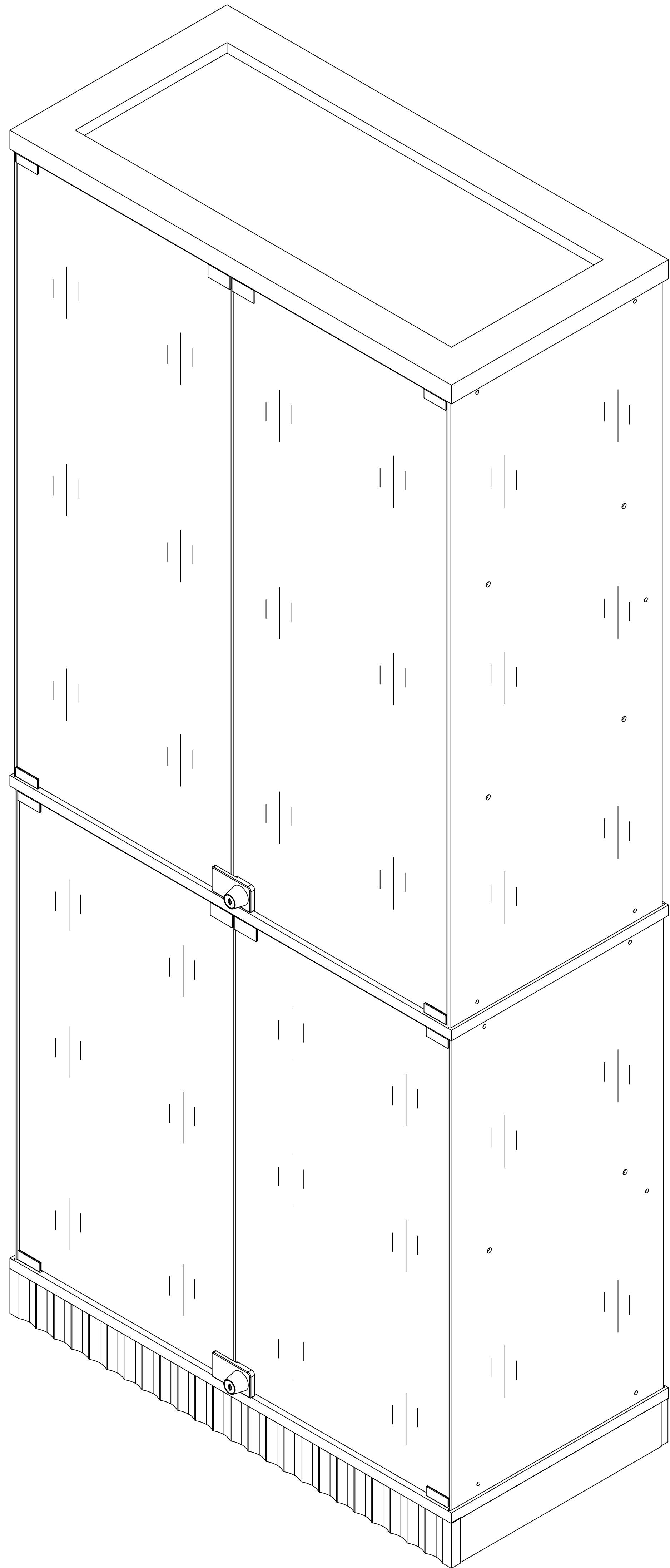
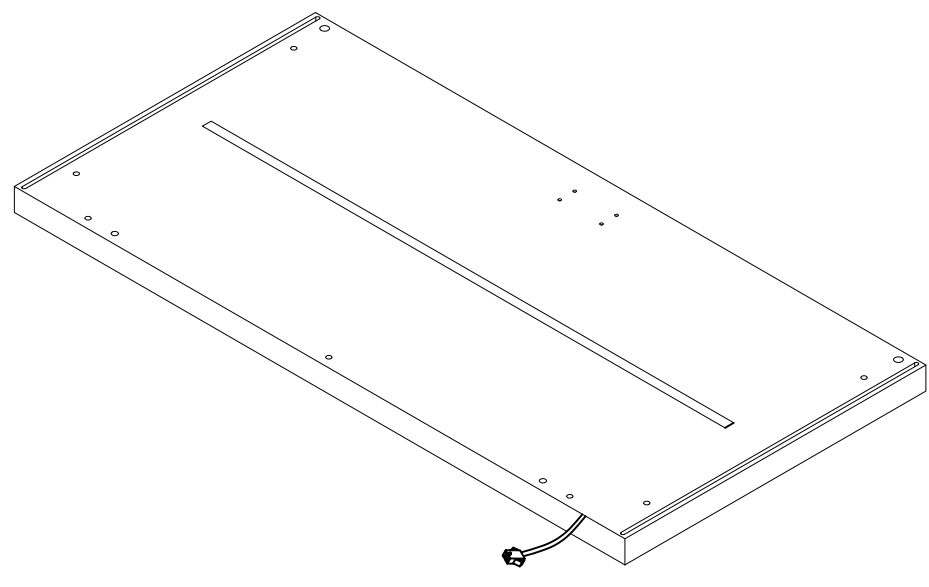
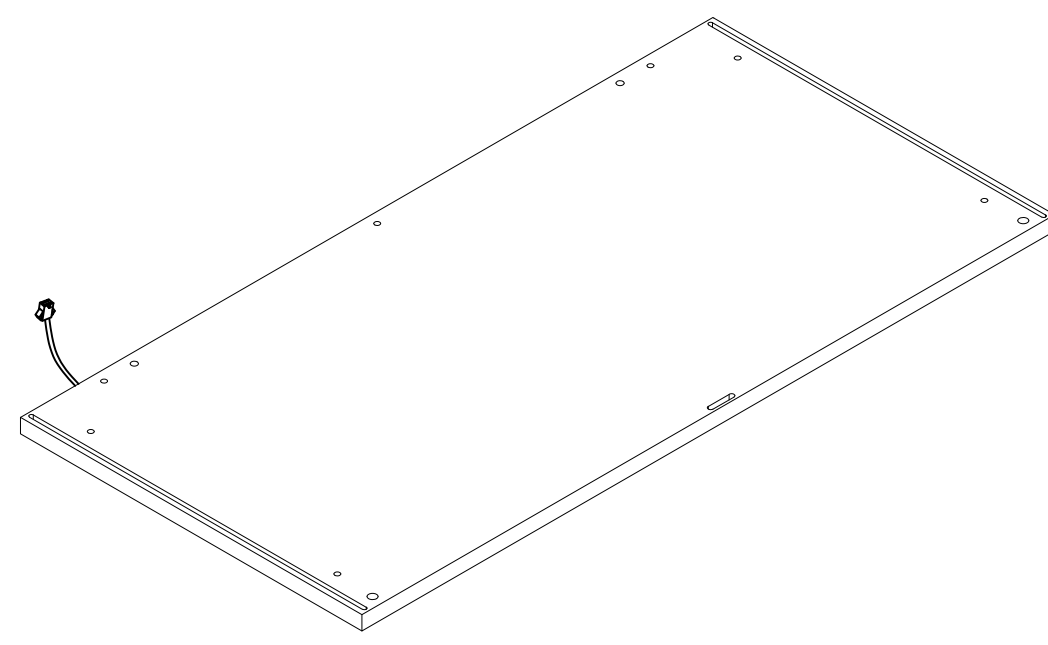


# Product Installation Instructions

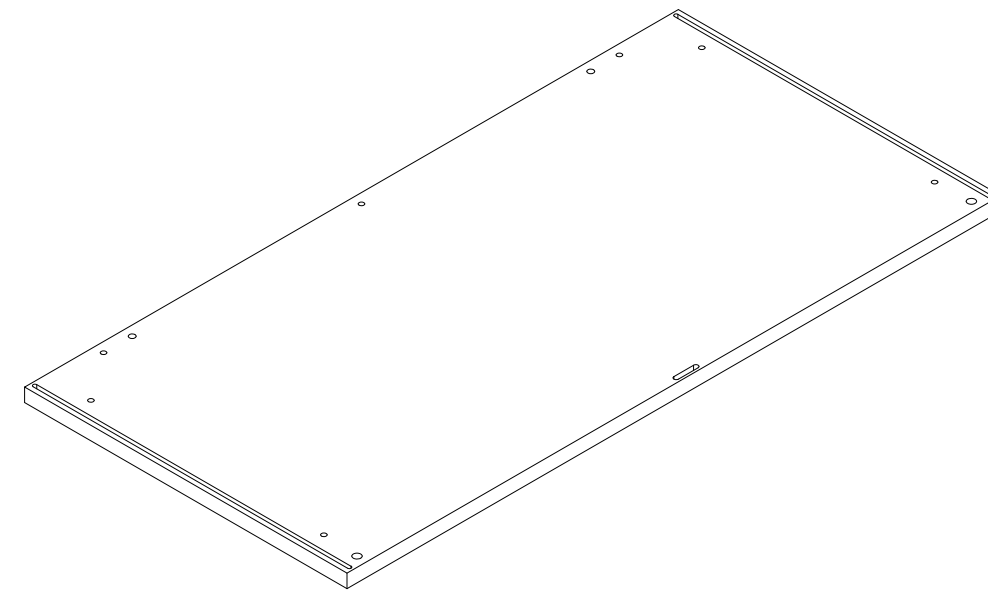




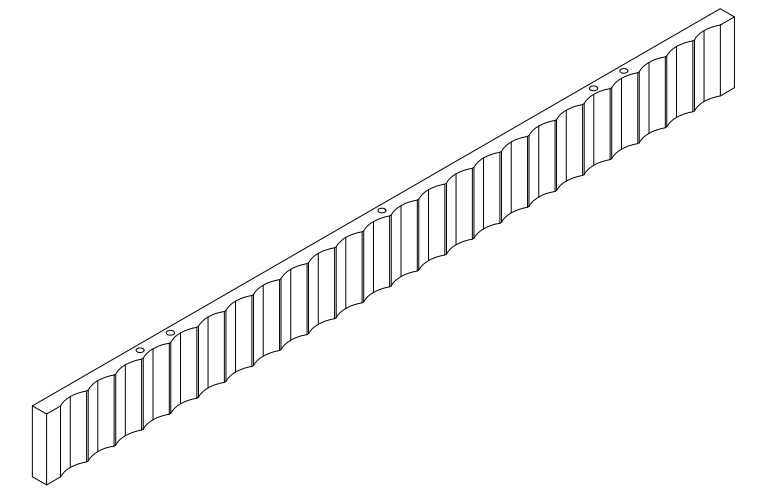
1x1



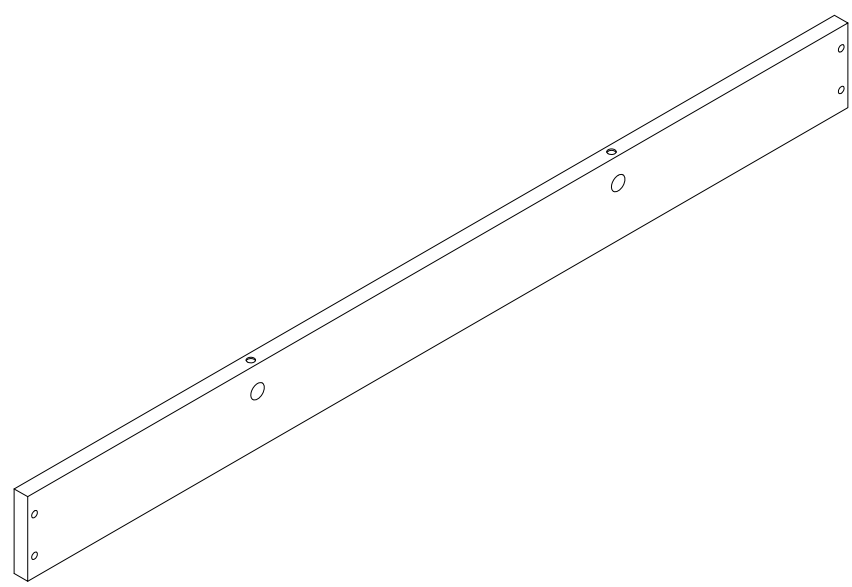
2x1



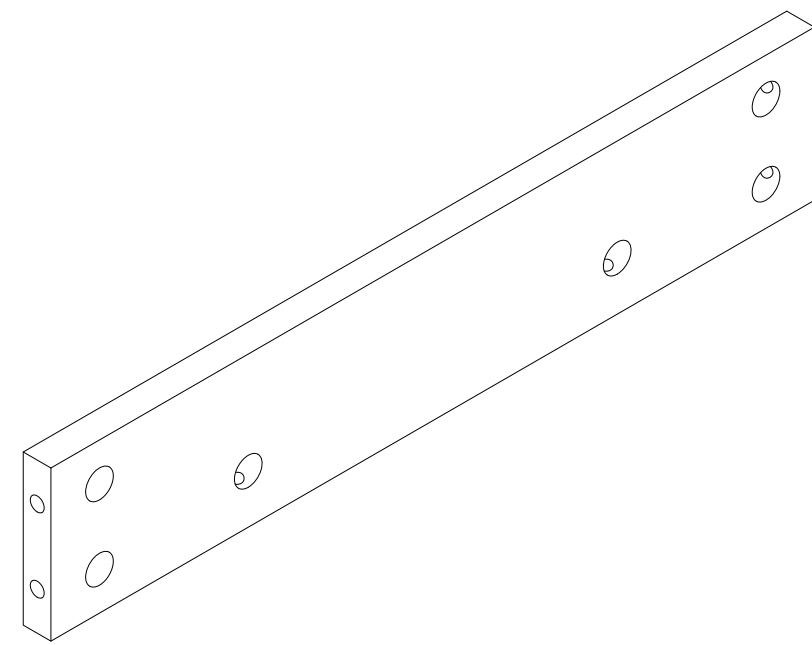
3x1



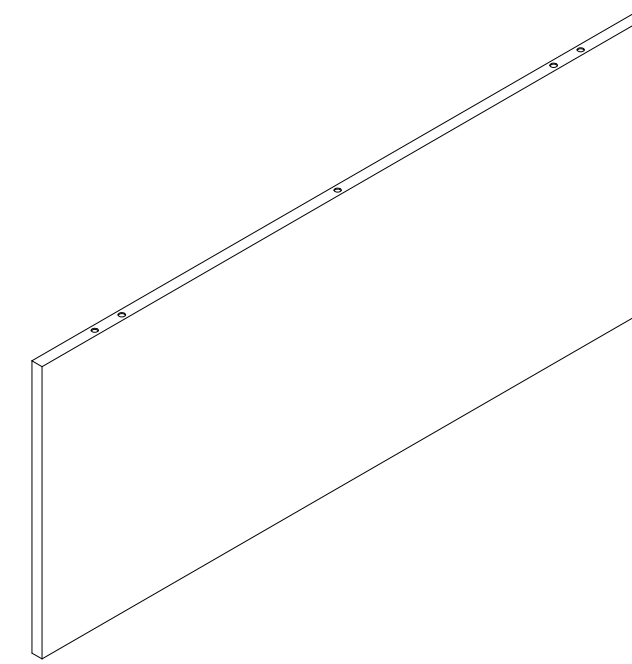
4x1



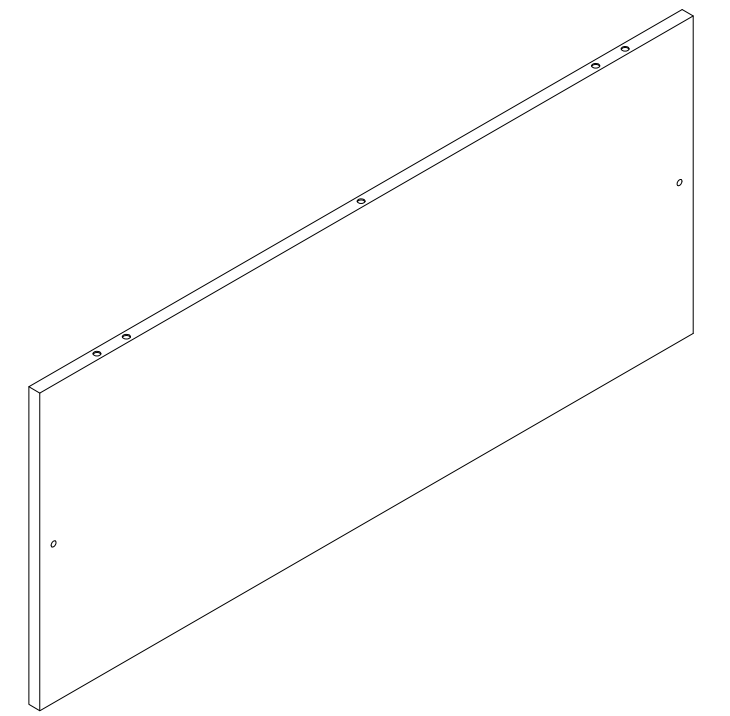
5x1



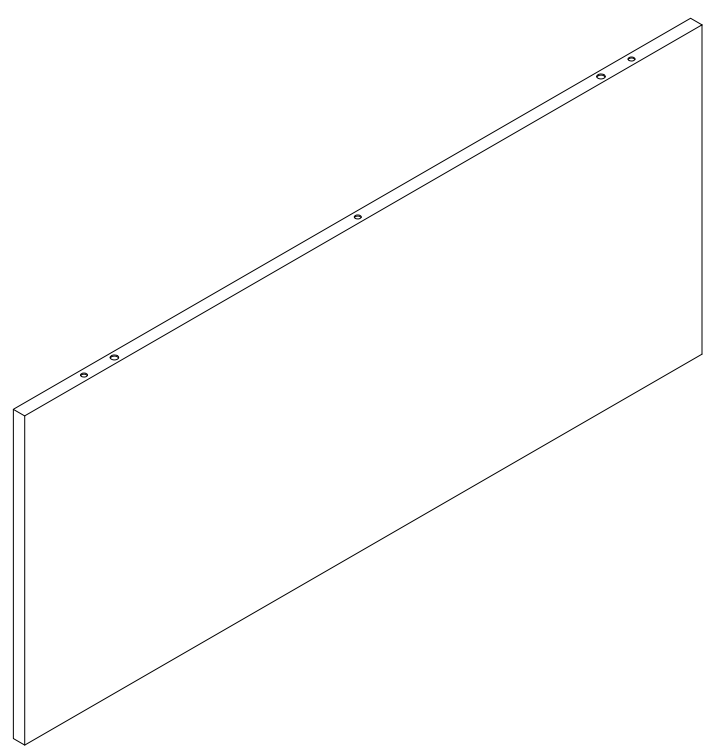
6x2



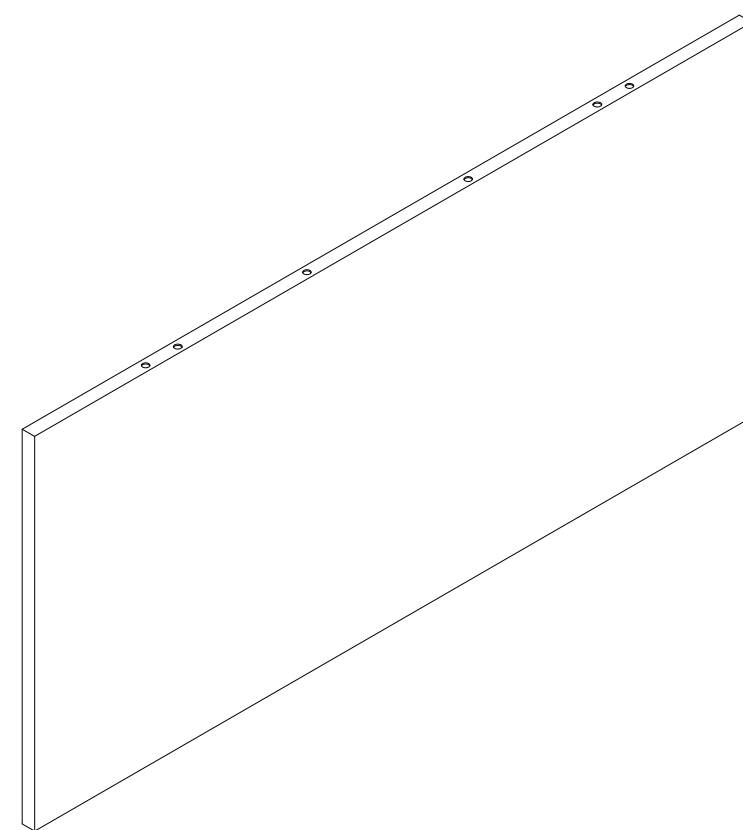
7x1



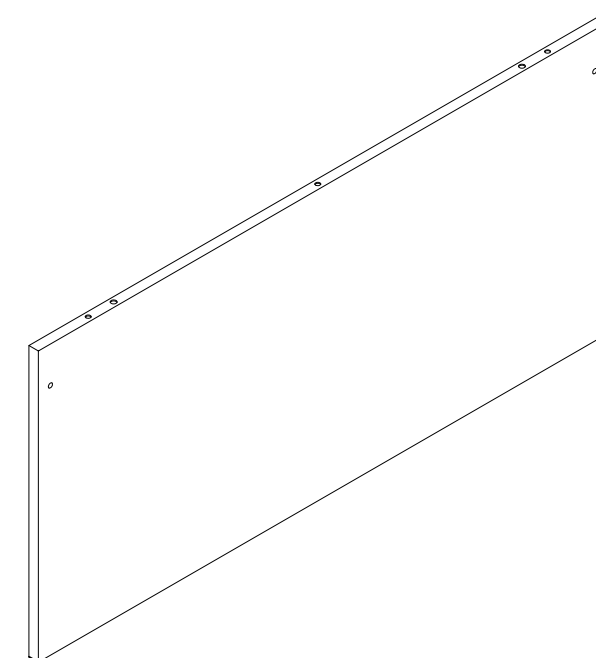
8x1



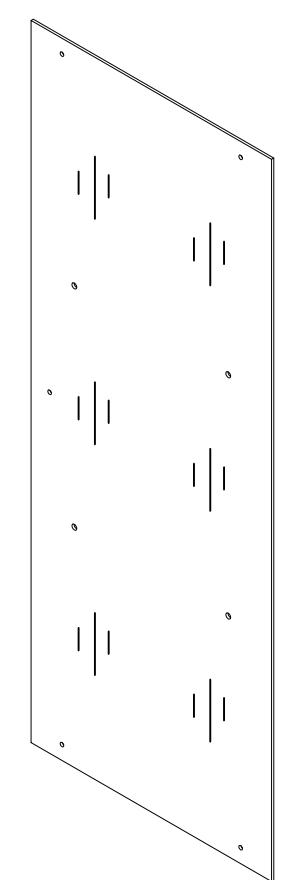
9x1



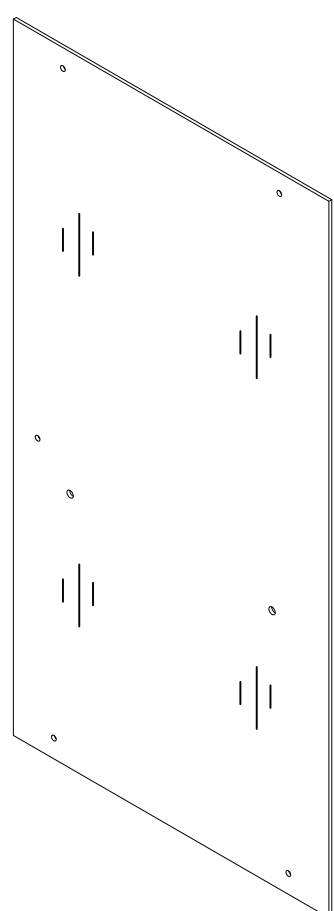
10x1



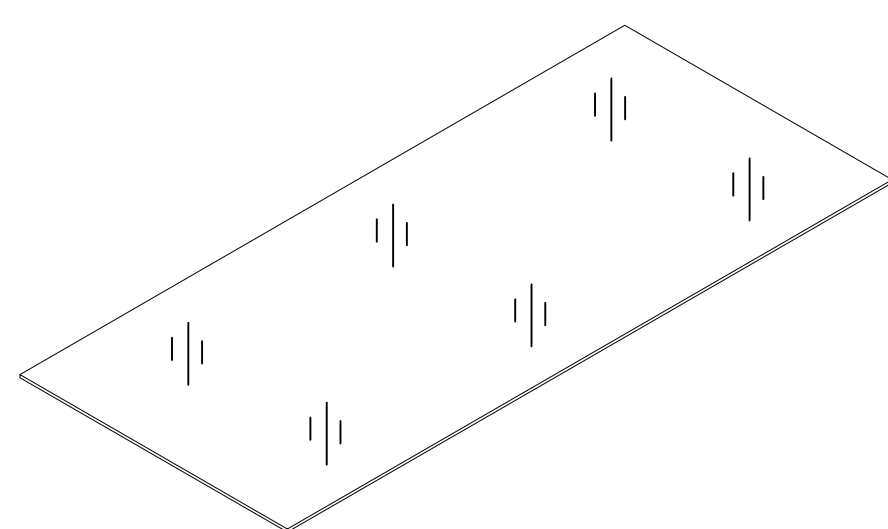
11x1



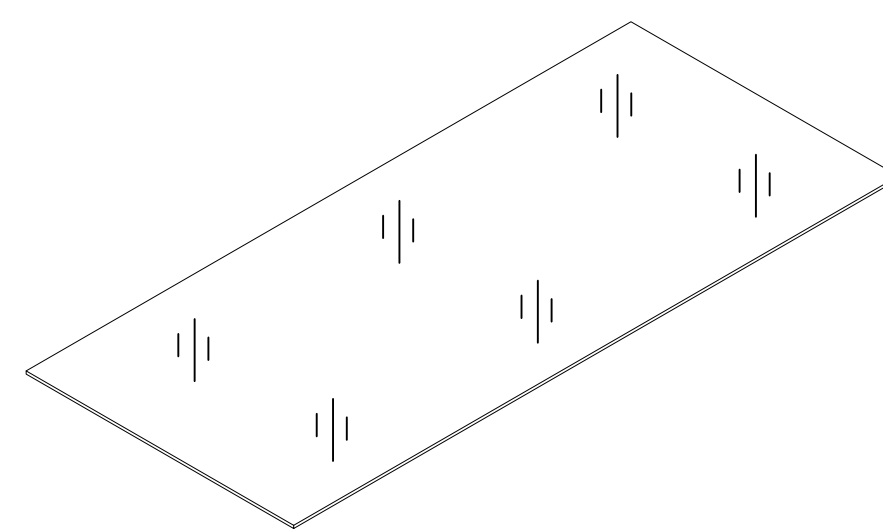
12x2



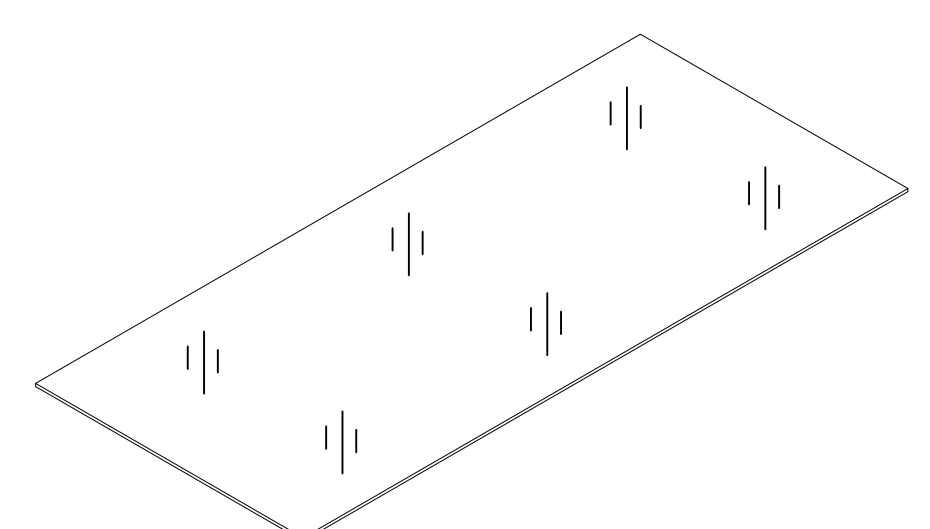
13x2



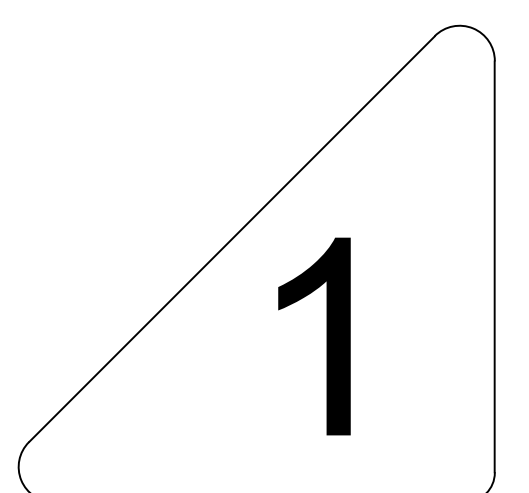
14x2



15x2

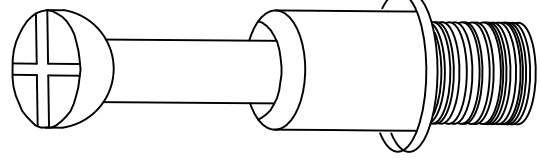
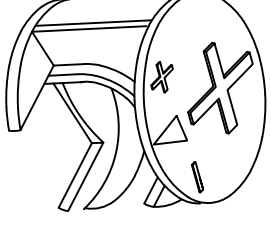
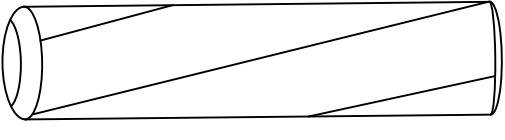

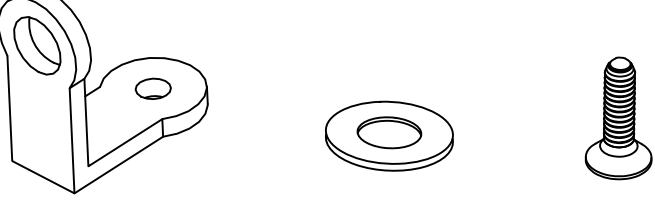
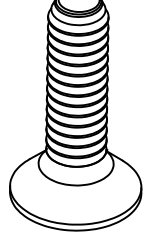
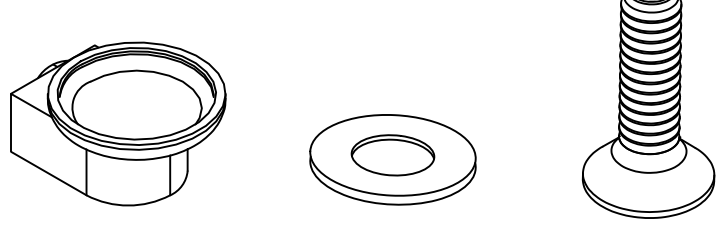
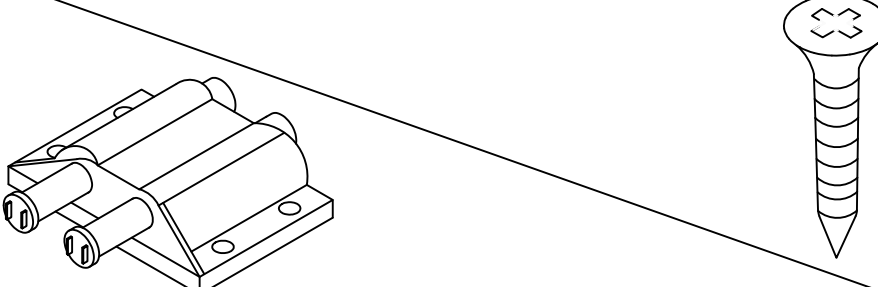
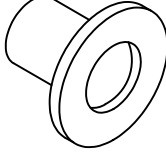
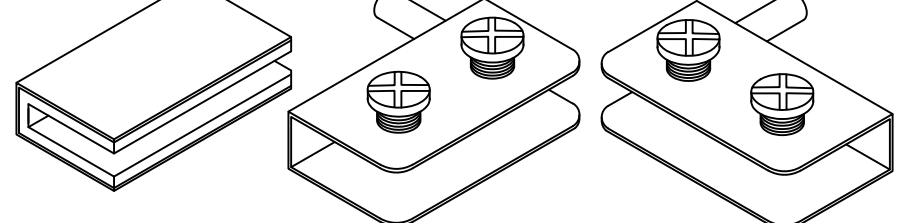
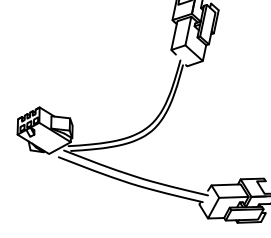
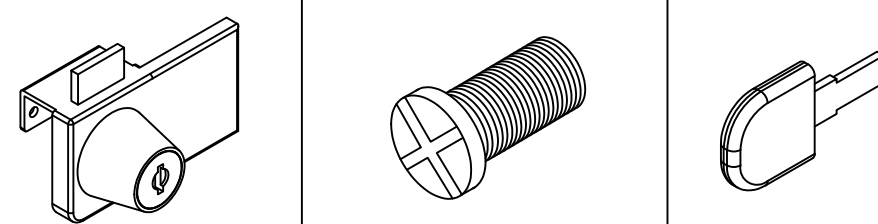
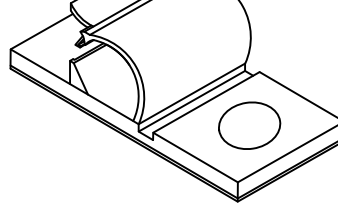
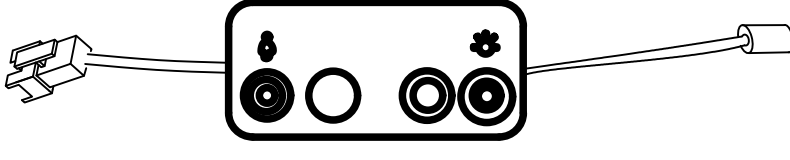
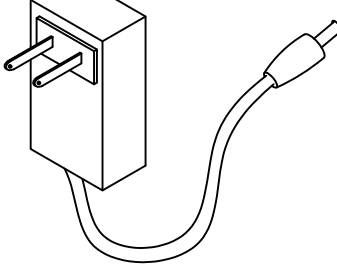
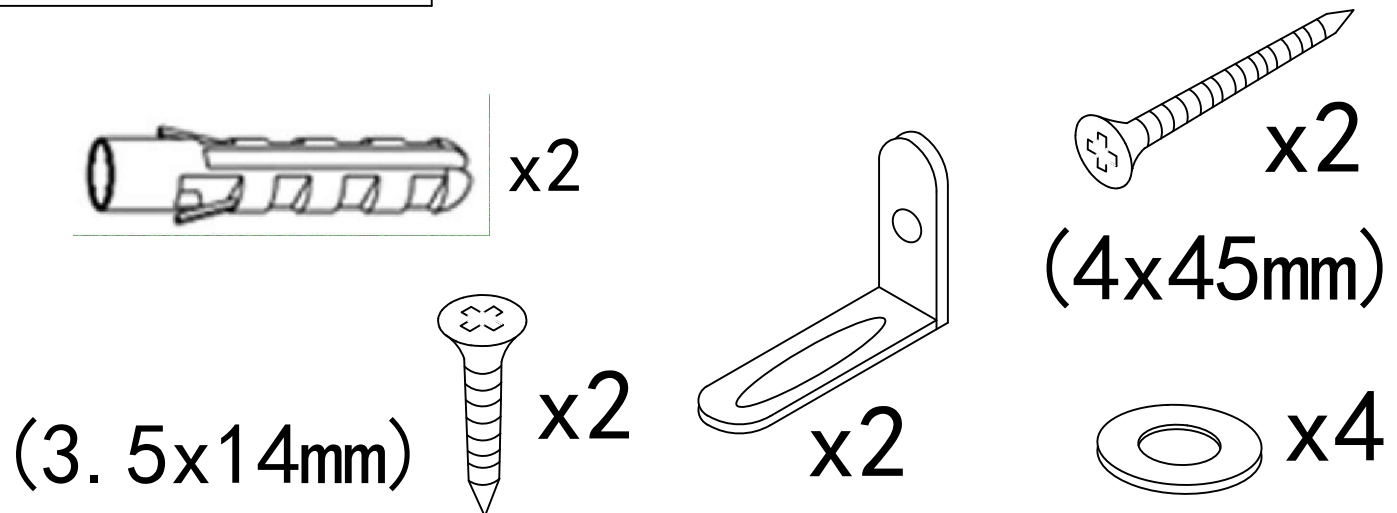
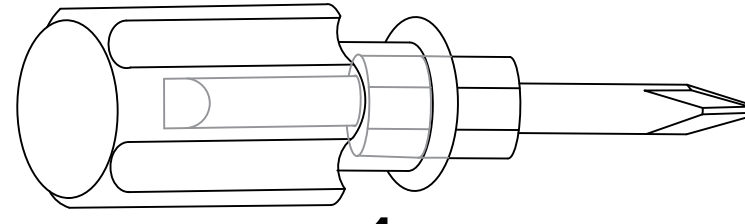
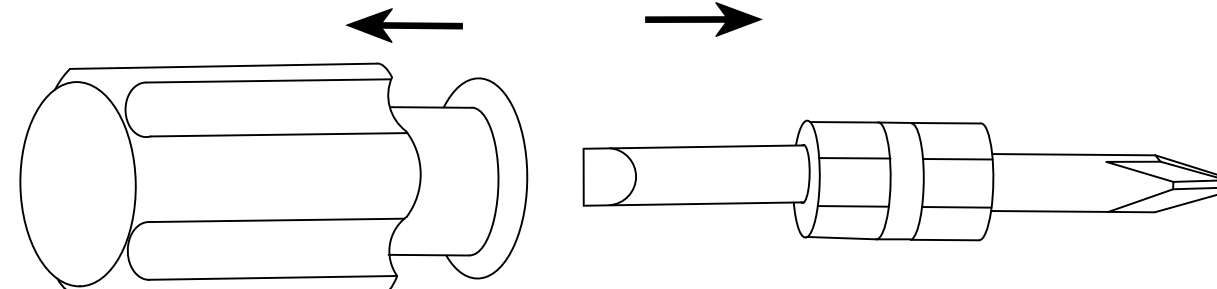
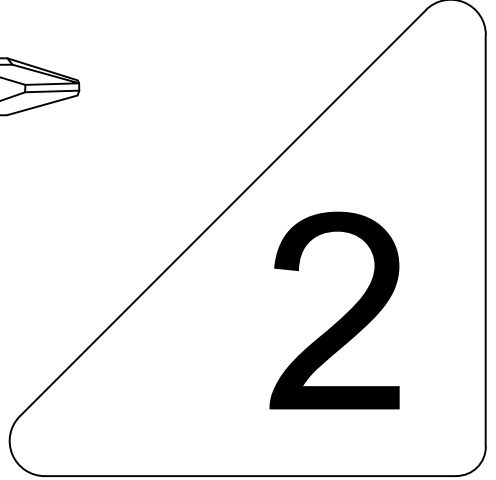


16x3

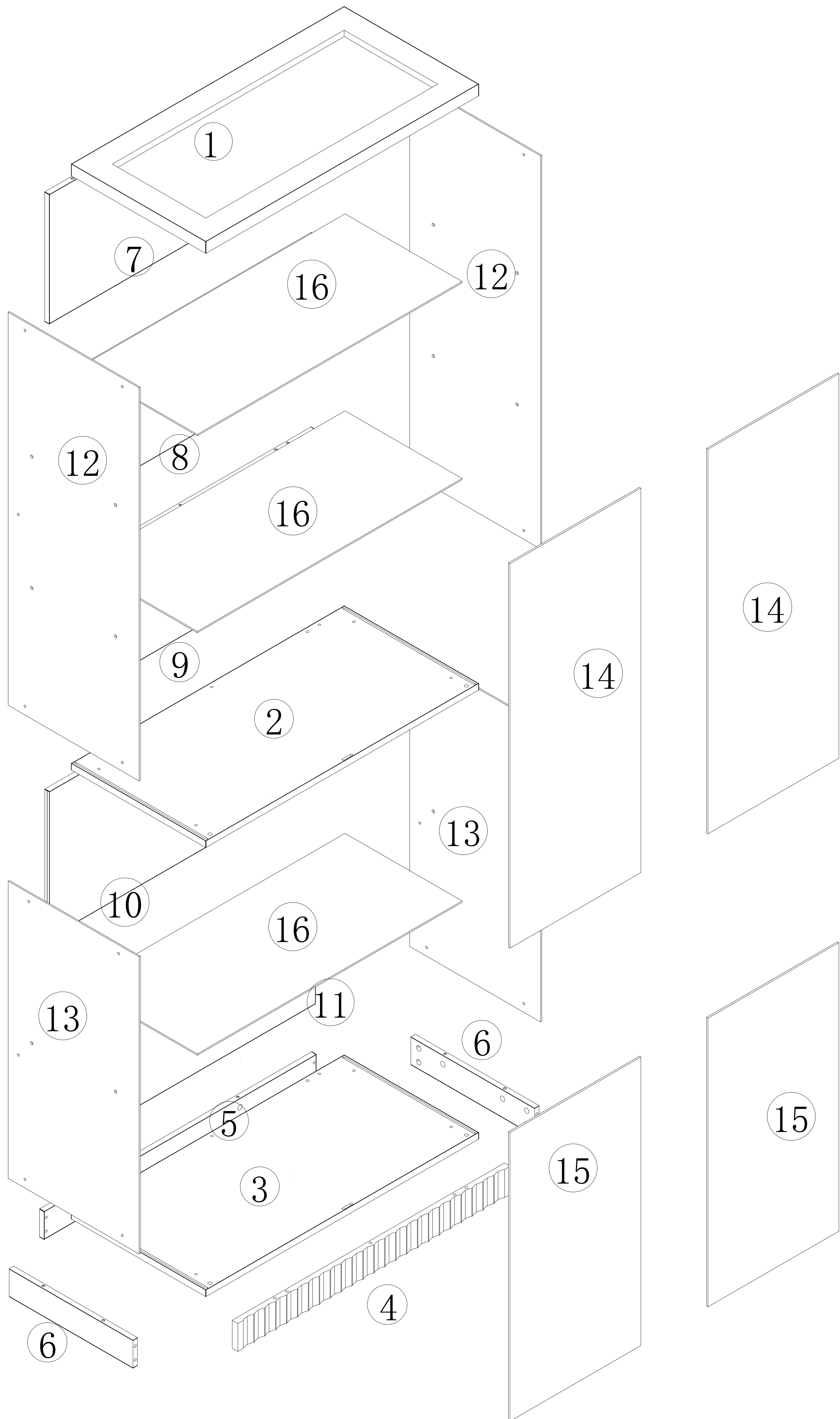


1

# Accessories list

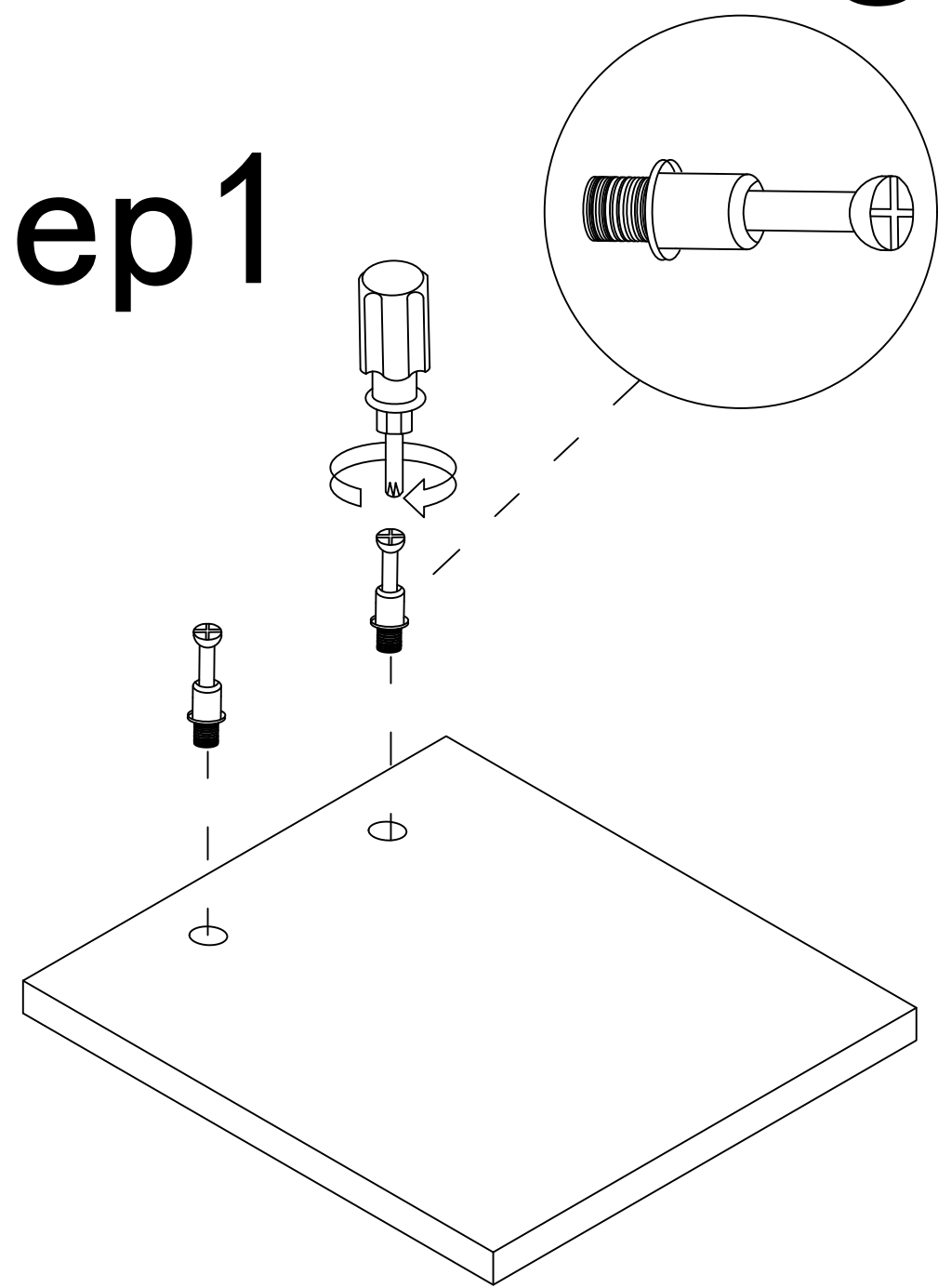
|   |   |  |   |  |                        |
|---|---|--|---|--|------------------------|
| <p><b>A</b></p>   |    | <p>Two in one screw<br/>(6x28mm)</p>   | <p>39pcs<br/>+4pcs</p>  |  |                        |
| <p><b>B</b></p>   |    | <p>Two in one nut<br/>(10x12mm)</p>  | <p>39pcs<br/>+4pcs</p>  |  |                        |
| <p><b>C</b></p>   |    | <p>Wood chipping<br/>(6x30mm)</p>  | <p>16pcs<br/>+4pcs</p>  |  |                        |
| <p><b>D</b></p>   |    | <p>Non-slip pads</p>   | <p>8pcs<br/>+4pcs</p>   |  |                        |
| <p><b>E</b></p>   |    | <p>Corner Bracket &amp; Screw<br/>(4x12mm)</p>   | <p>20pcs</p>  | <p>40pcs<br/>+2pcs</p>   | <p>20pcs<br/>+2pcs</p> |
| <p><b>F</b></p>   |   | <p>Screw<br/>(4x12mm)</p>  | <p>20pcs<br/>+2pcs</p>  |  |                        |
| <p><b>G</b></p>   |  | <p>Laminate Support Nail<br/>Screw<br/>(6x18mm)</p>  | <p>12pcs<br/>+1pcs</p>  |  |                        |
| <p><b>H</b></p>   |  | <p>Rebound device &amp; Screw<br/>(3x16mm)</p>   | <p>2pcs</p>   | <p>8pcs<br/>+2pcs</p>  |                        |
| <p><b>H</b></p>   |  | <p>Rubber ring</p>   | <p>8pcs</p>   |  |                        |
| <p><b>H</b></p>   |  | <p>Iron sheet &amp; Hinge</p>  | <p>4pcs</p>   |  |                        |
| <p><b>I</b></p>   |  | <p>Forked line</p>   | <p>1pcs</p>   |  |                        |
| <p><b>J</b></p>   |  | <p>Double door glass lock<br/>Key</p>  | <p>2pcs</p>   | <p>4pcs</p>  | <p>1pcs<br/>+1pcs</p>  |
| <p><b>K</b></p>   |  | <p>Wire clamp</p>  | <p>2pcs<br/>+1pcs</p>   |  |                        |
| <p><b>L</b></p>   |  | <p>LED Strip Controlle</p>   | <p>1pcs</p>   |  |                        |
|    |   | <p>AC/DC Adapter (12V=2.0A)</p>  | <p>1pcs</p>   |  |                        |
| <p><b>M</b></p>   | <p>Anti Fall Hardware</p>   | <p>Double-head screwdriver, use as required</p>  |   |  |                        |
|  <p>(3.5x14mm) x2</p> <p>x2</p> <p>x2</p> <p>x2</p> <p>x4</p> |   |  <p>1pcs</p> |  |  <p>2</p> |                        |

# Product structure decomposition

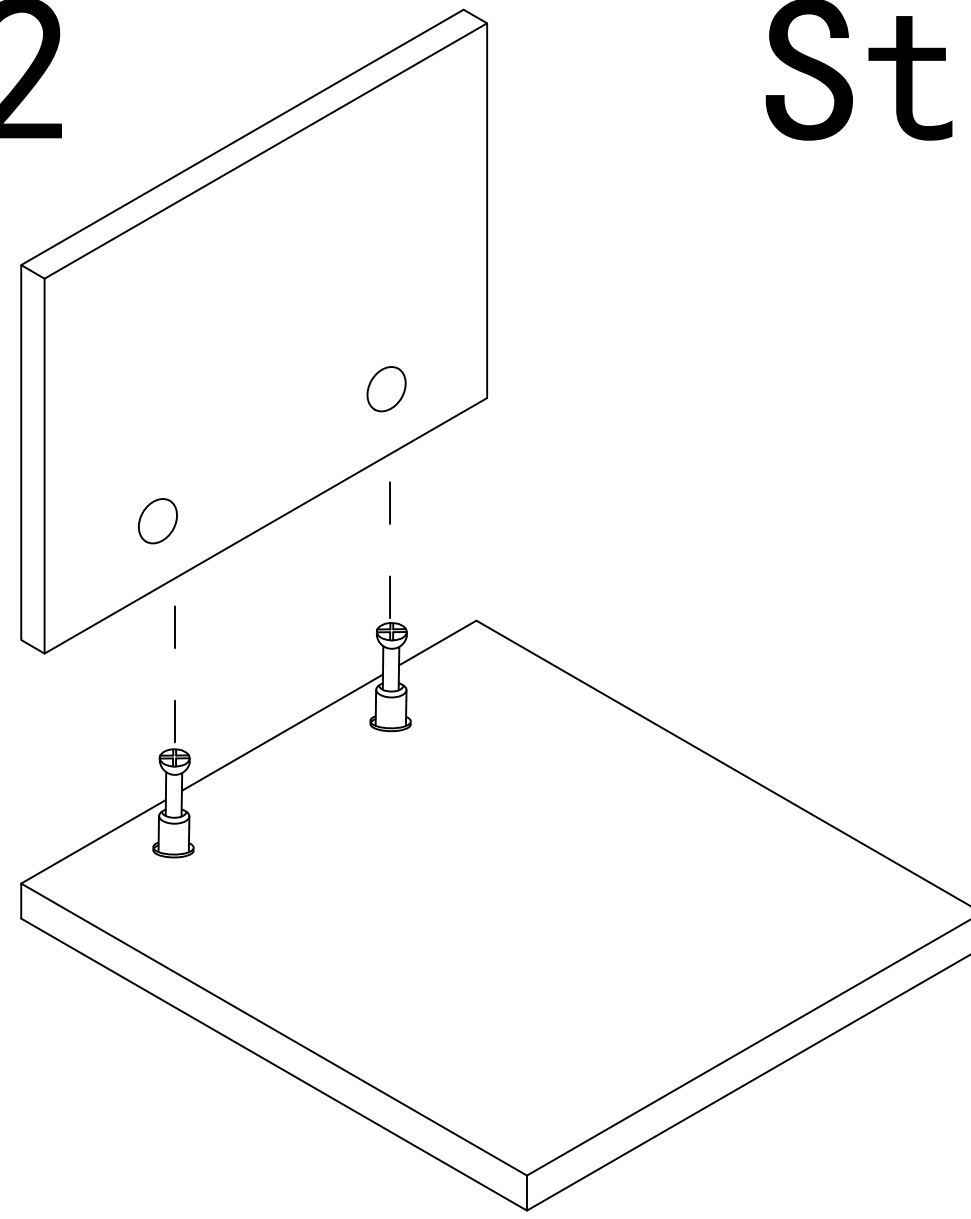


# Use parts A and B

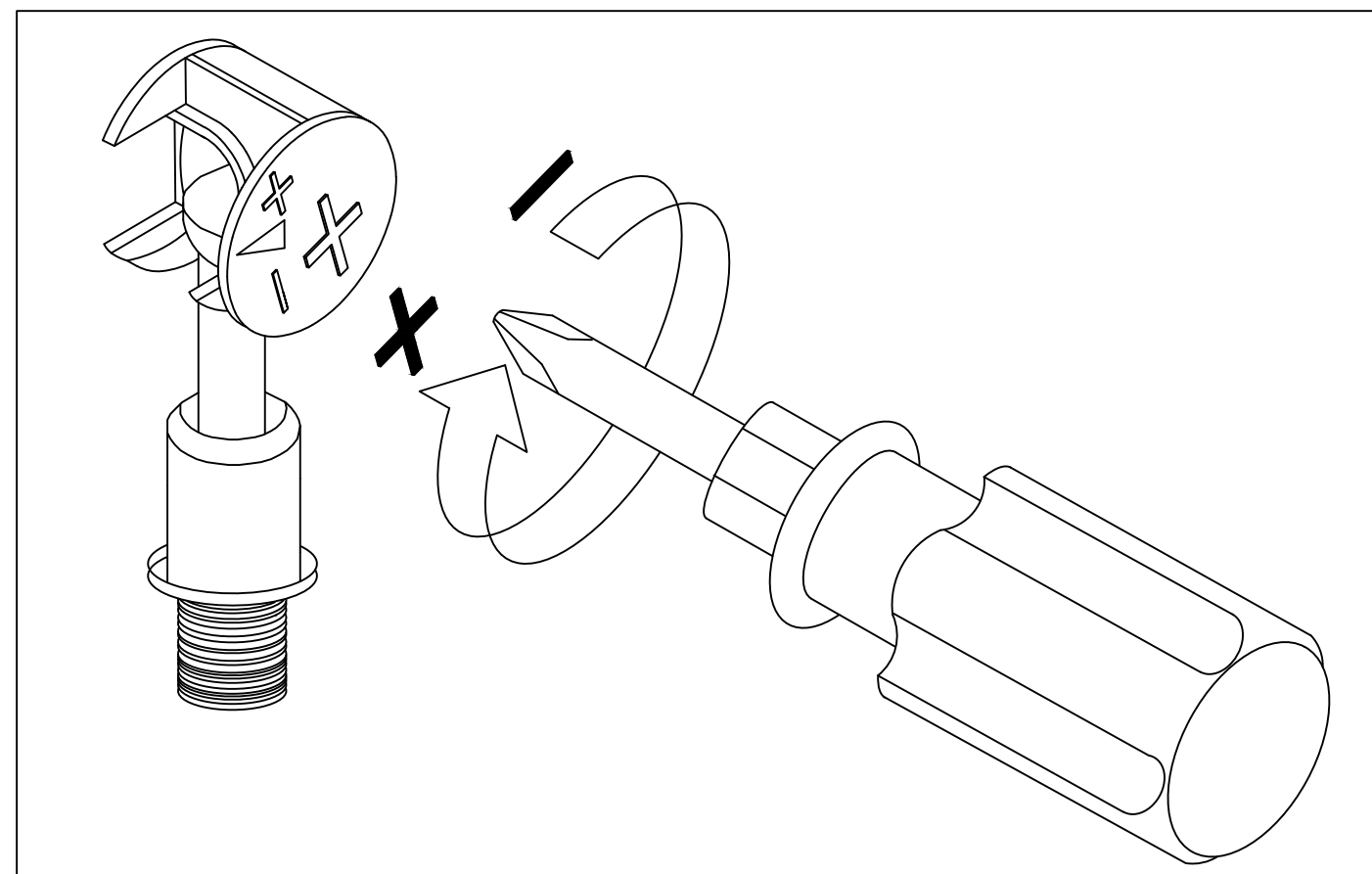
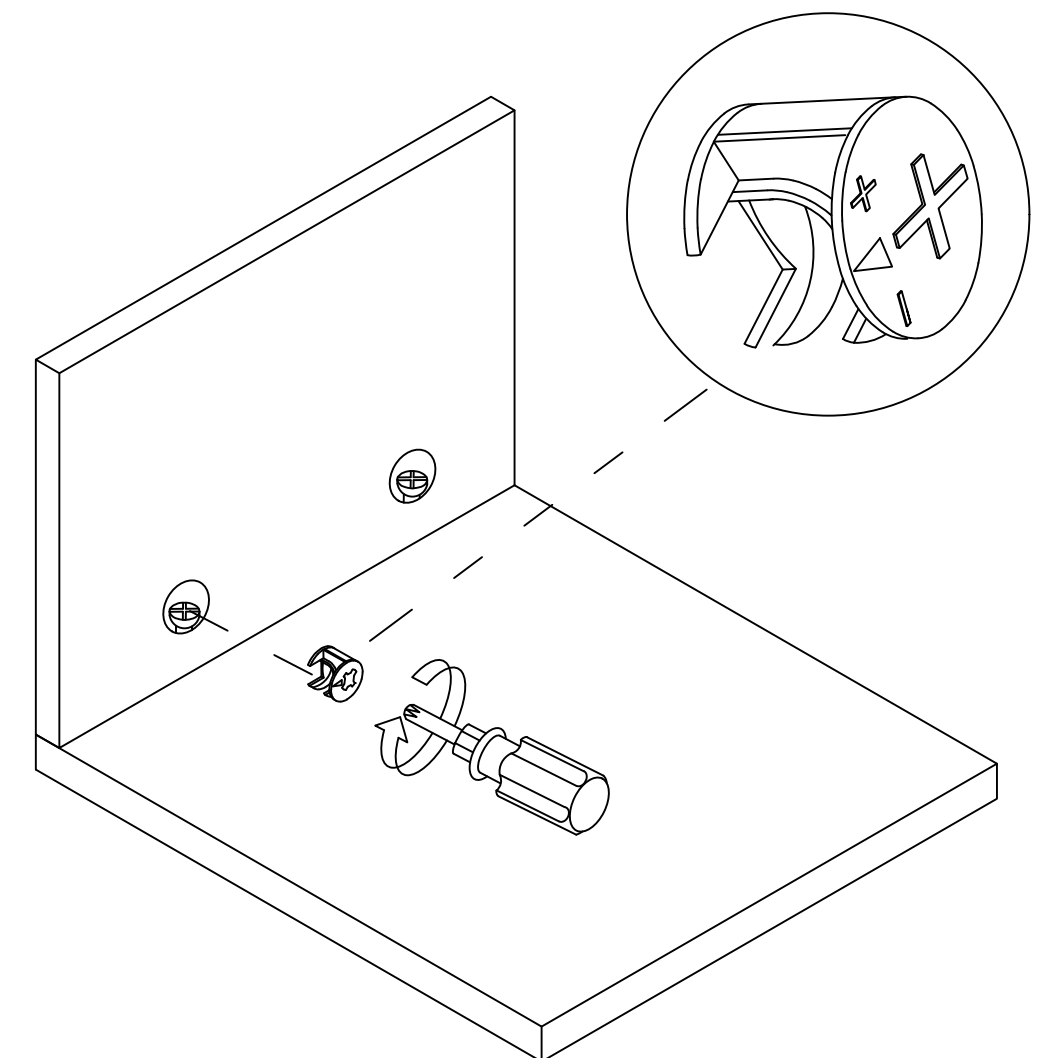
Step 1



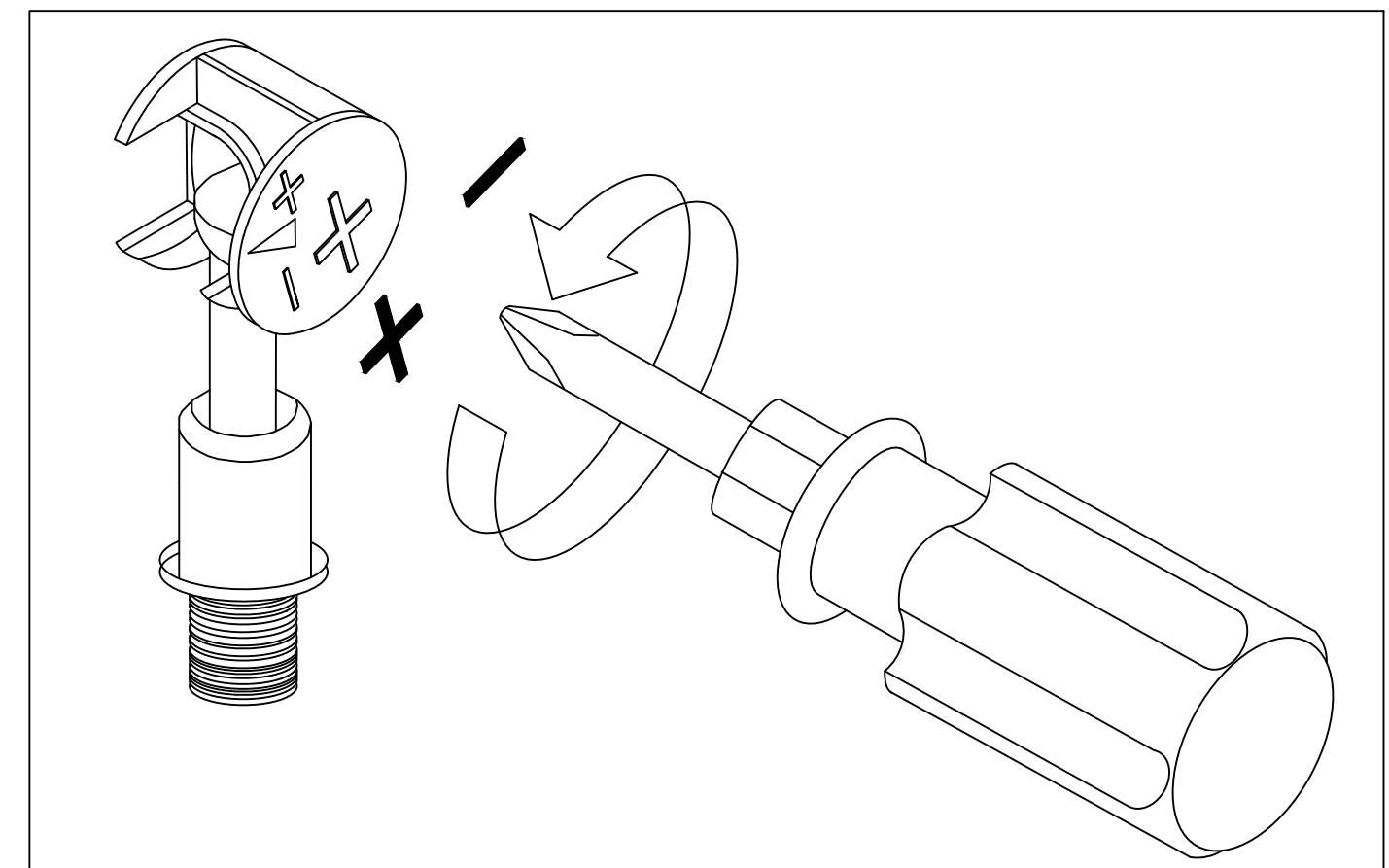
Step 2



Step 3

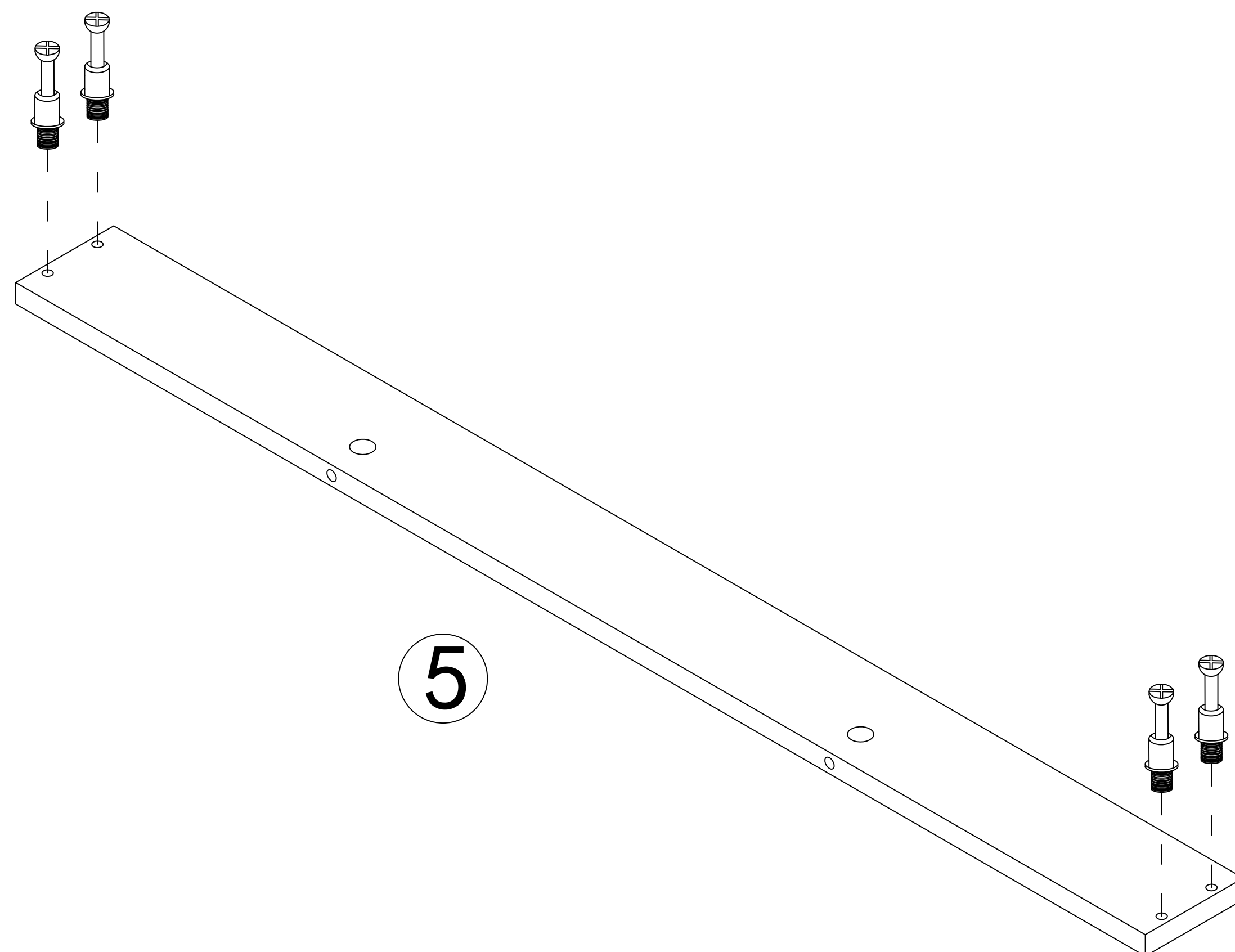
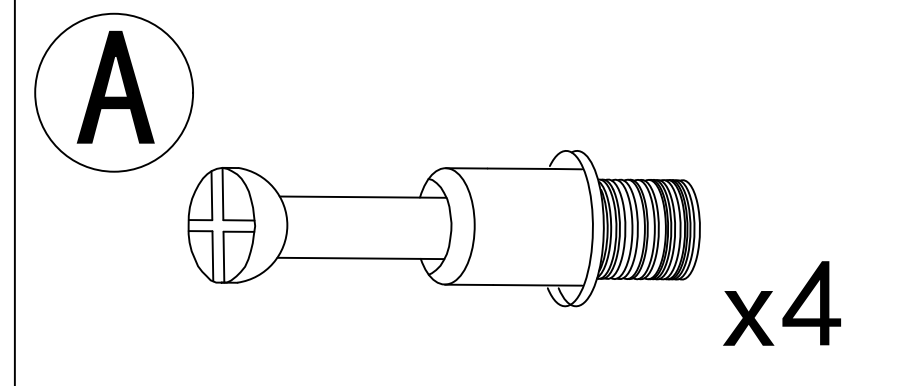


Use a screwdriver to lock in the direction of the "+" sign



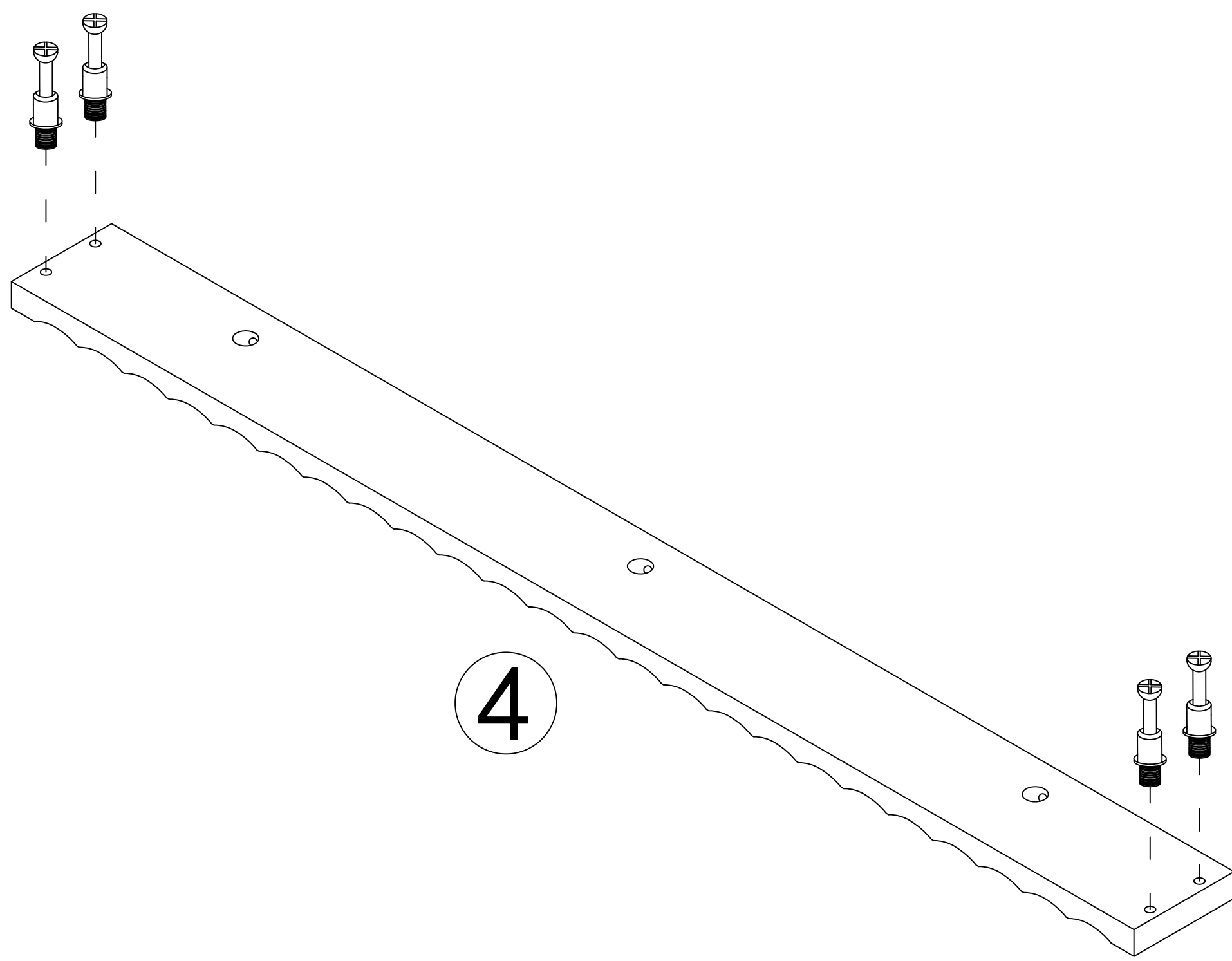
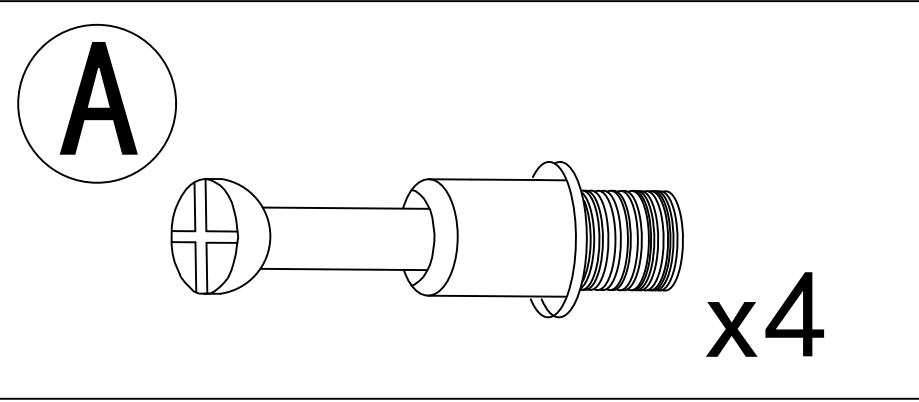
Disassemble along the direction of "-" sign

Step 1

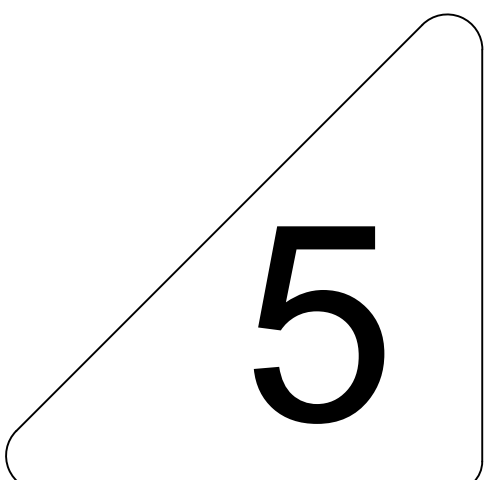
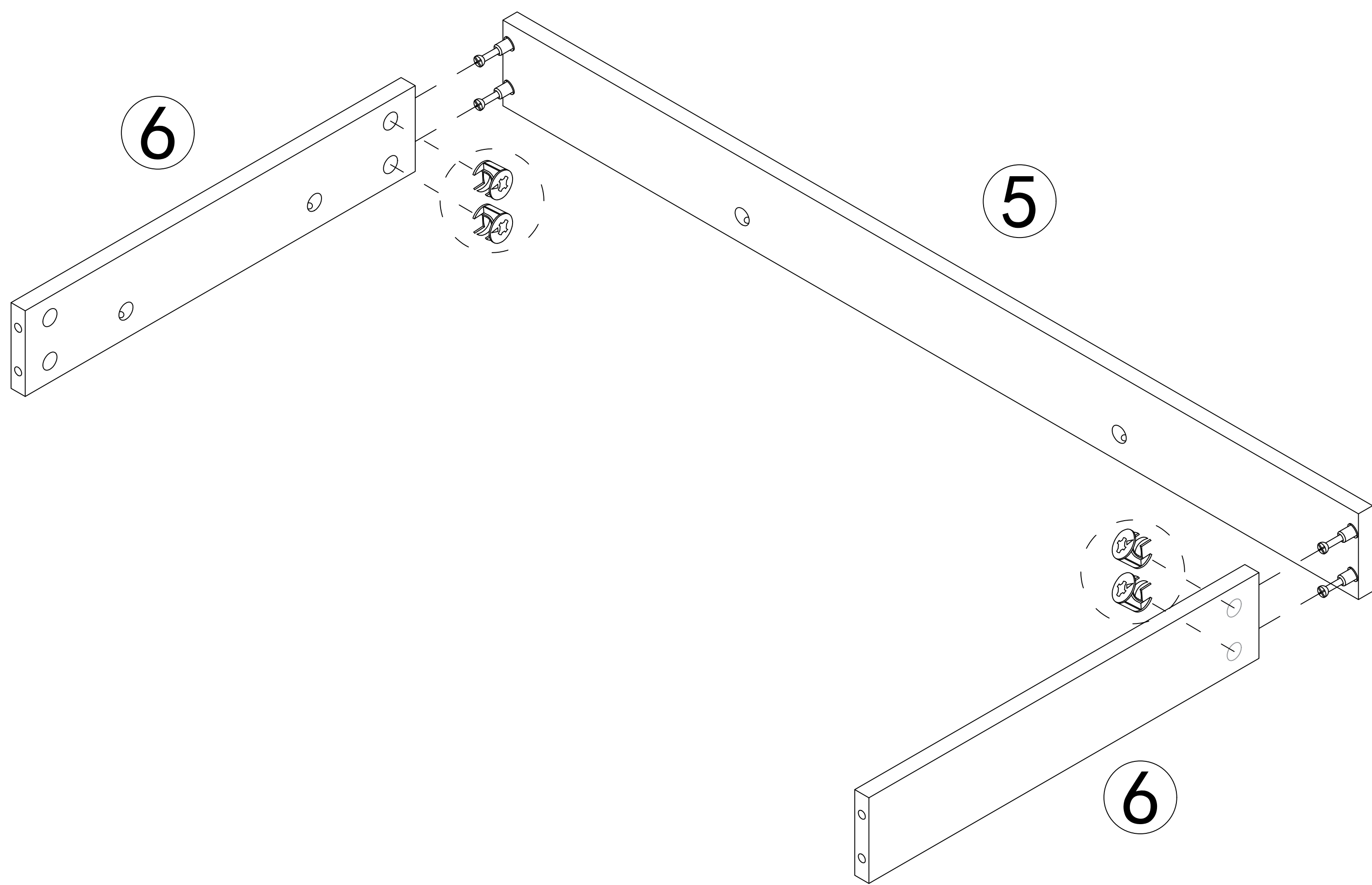
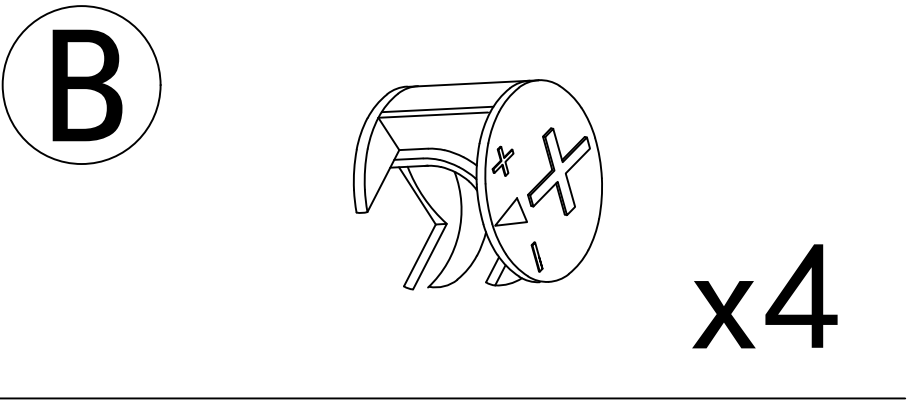


4

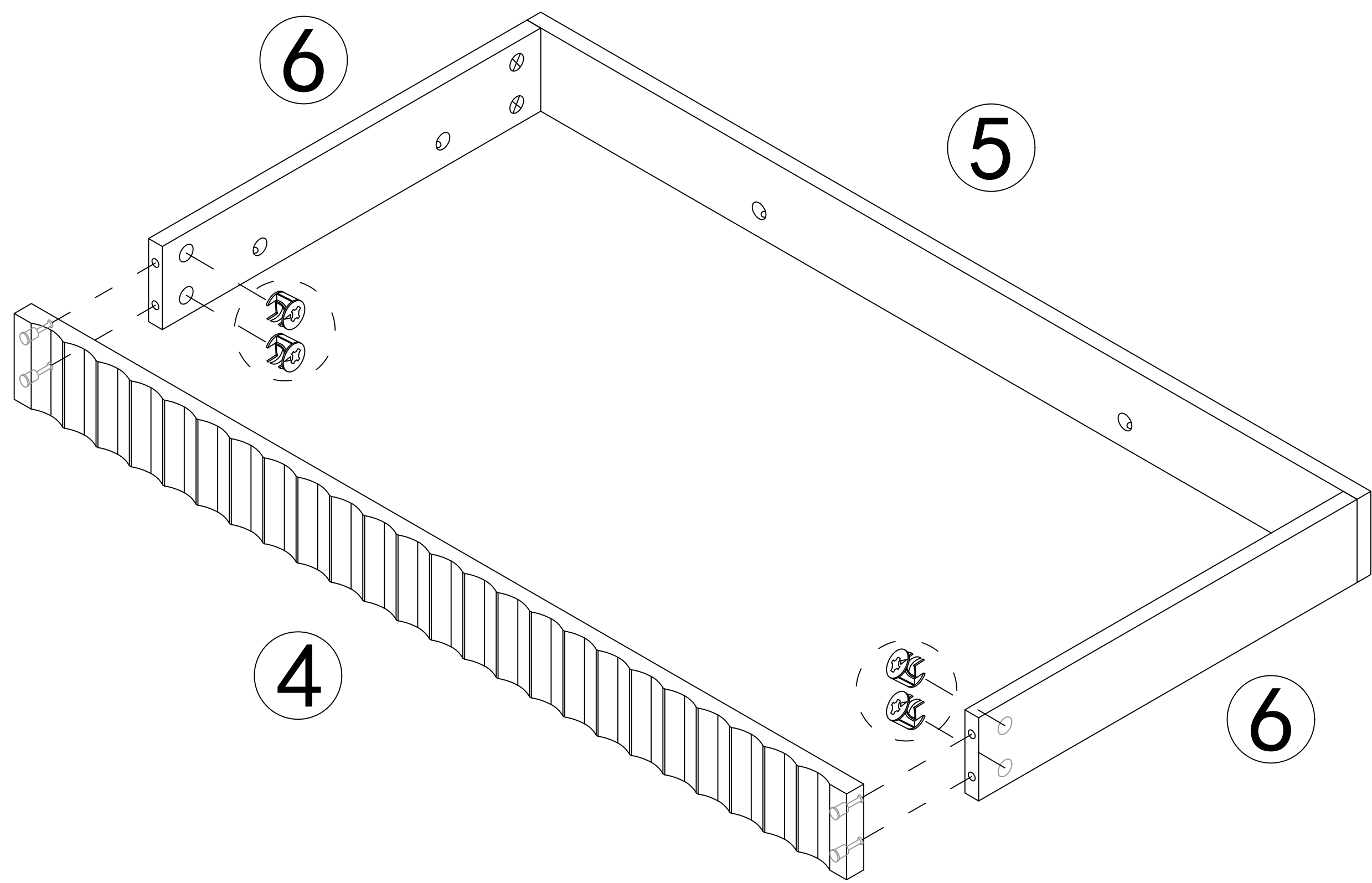
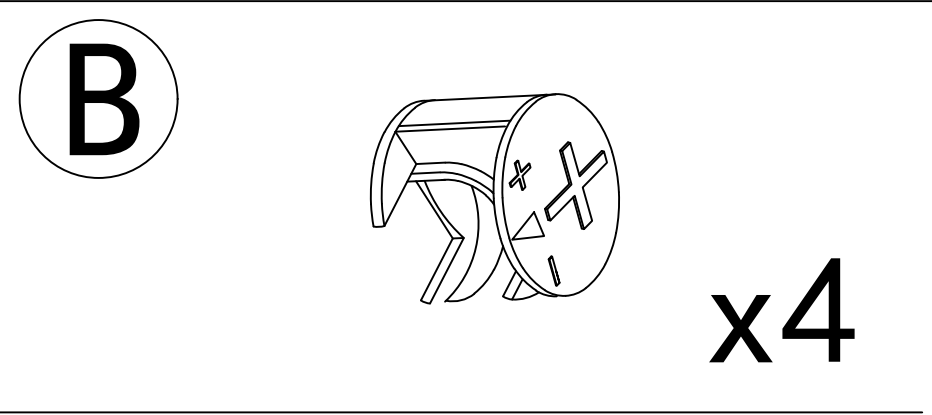
Step 2



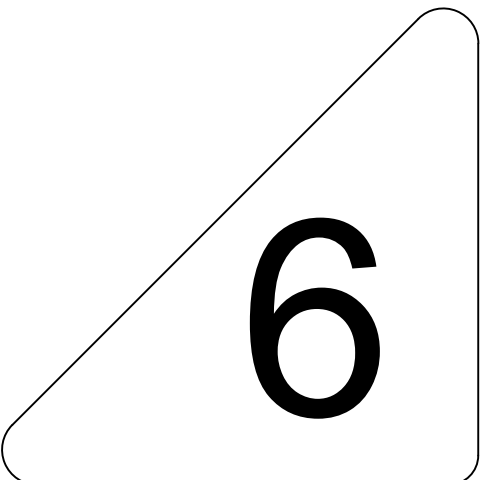
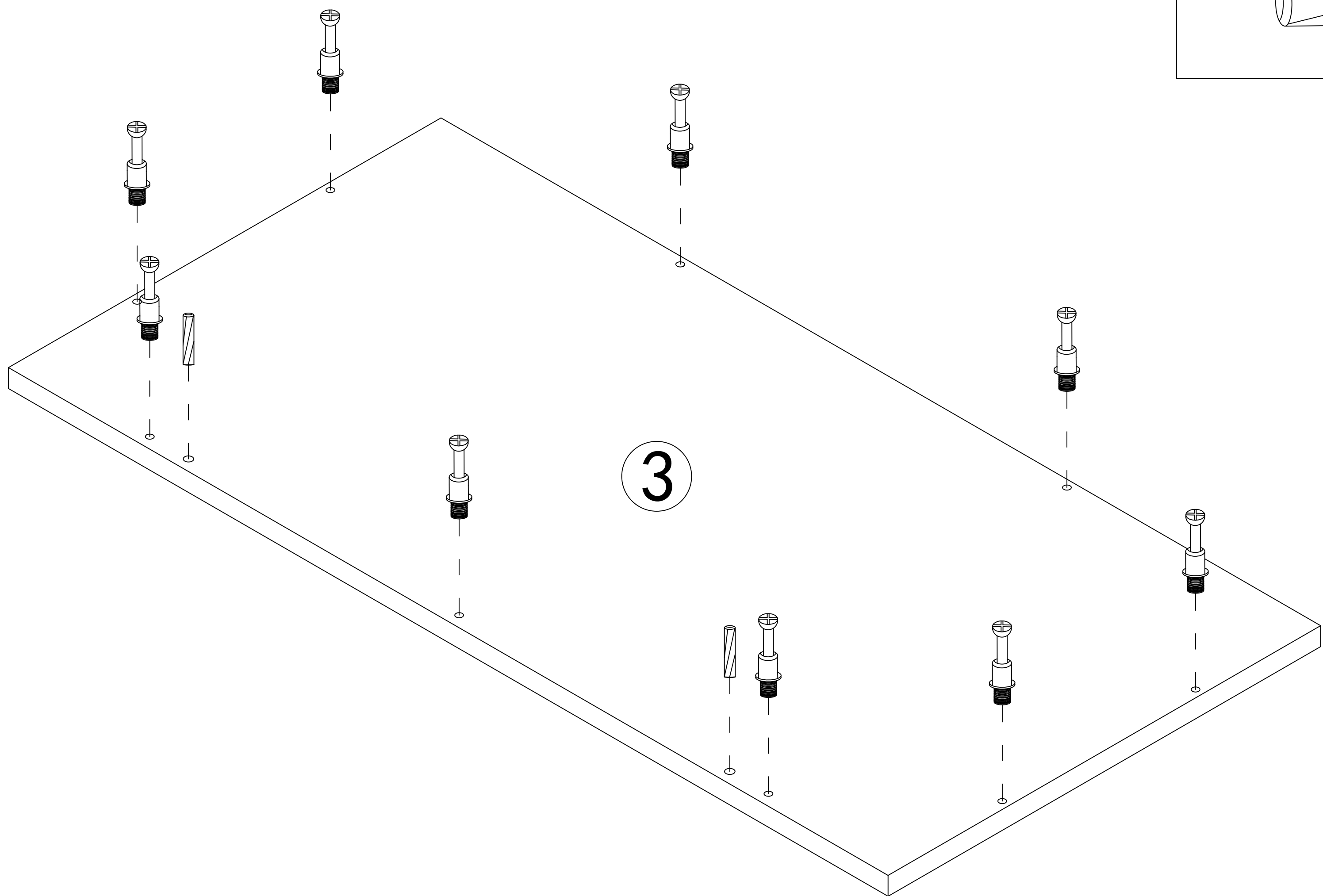
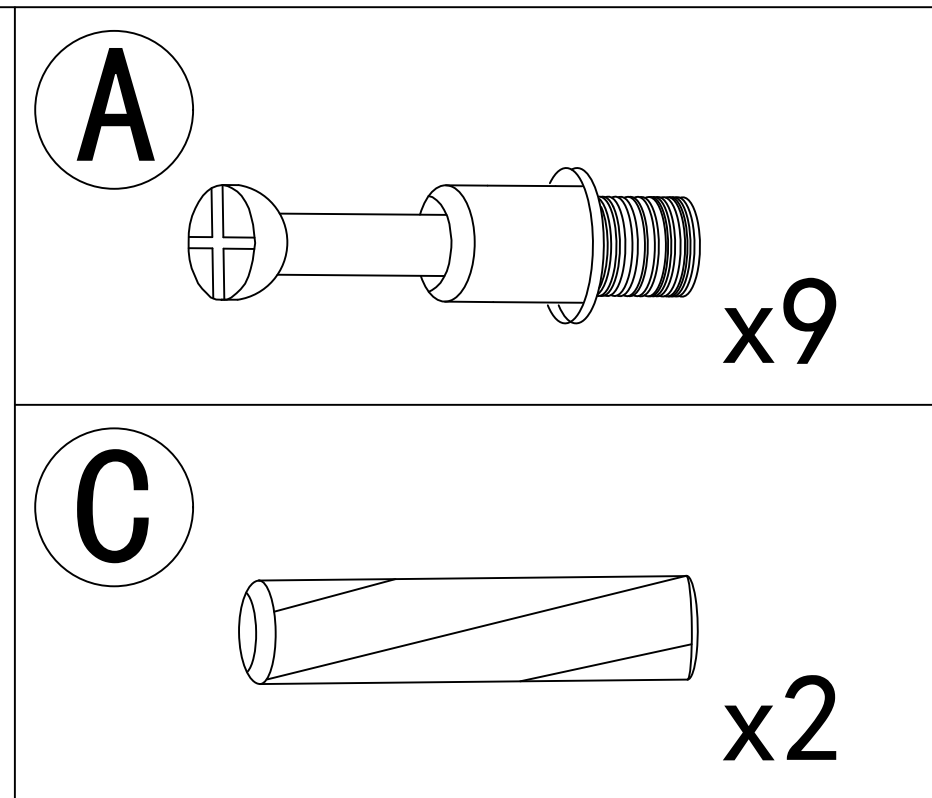
Step 3



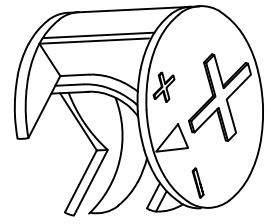
Step 4

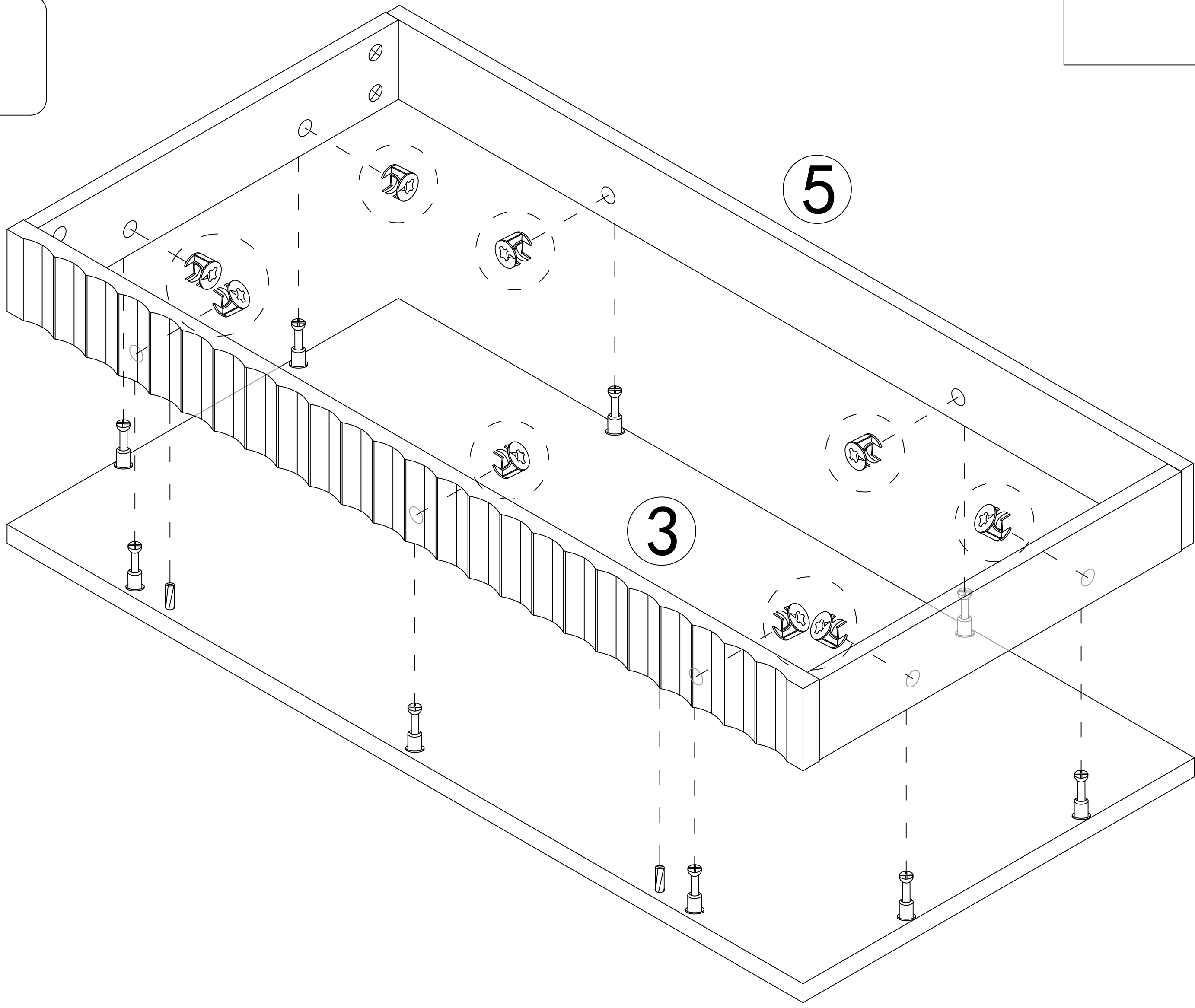


Step 5

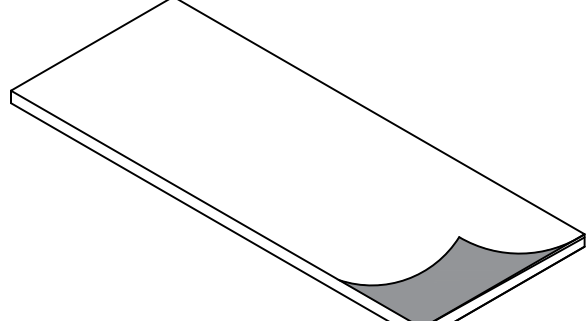


# Step 6

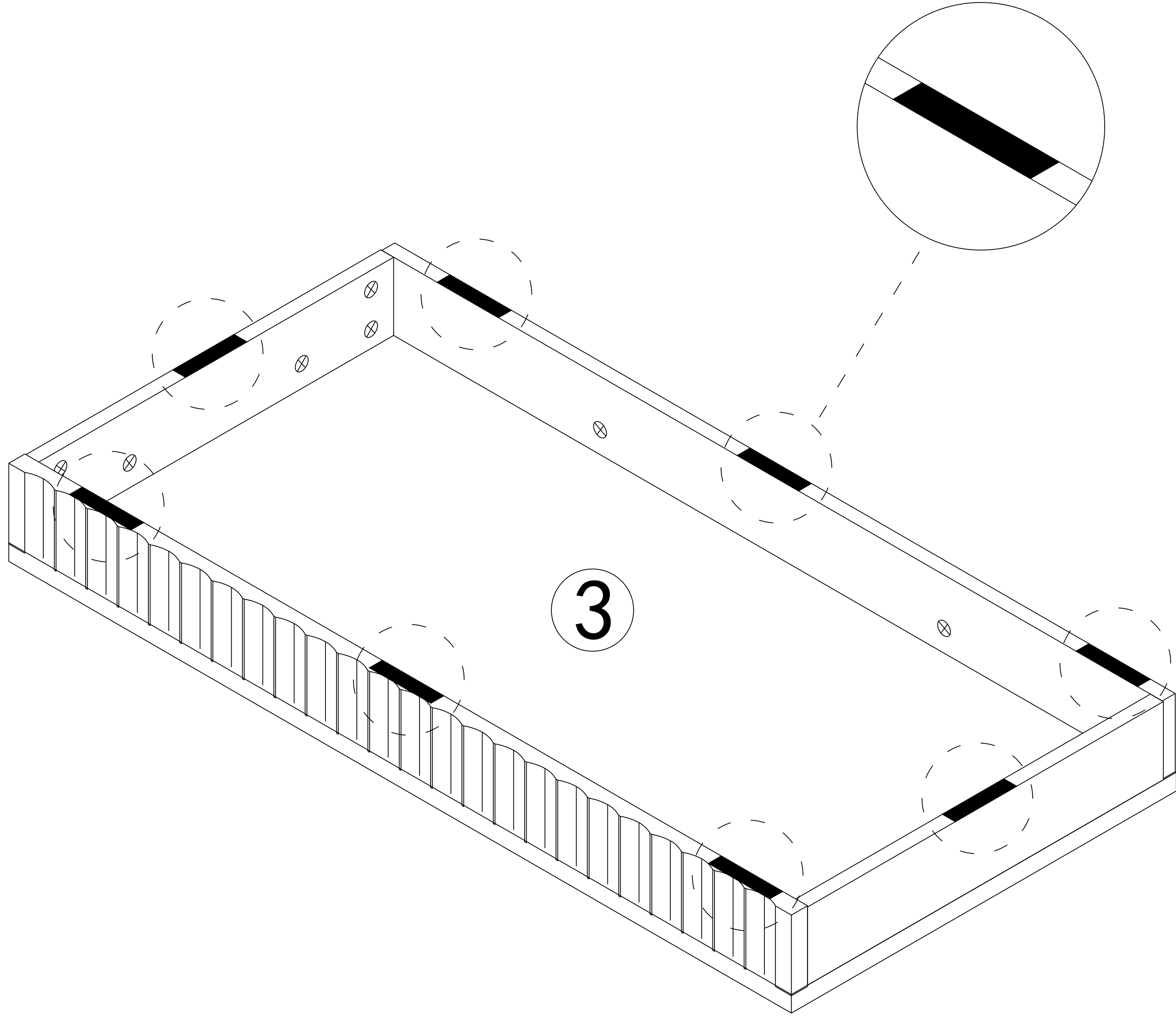
**B**  x9



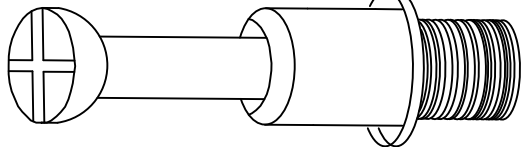

# Step 7

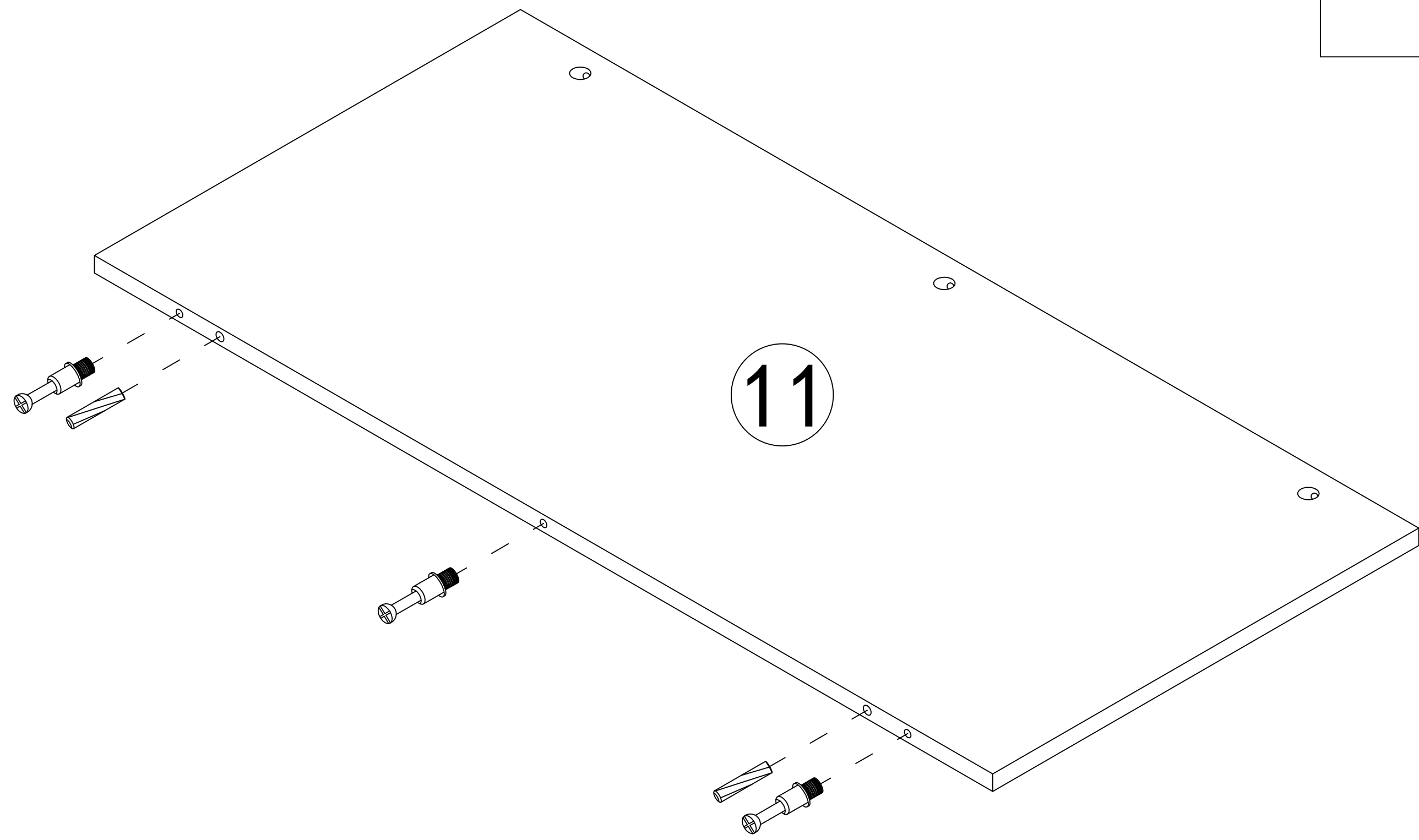
**D**  x8

Tear off release paper and stick the black foot pad on the board

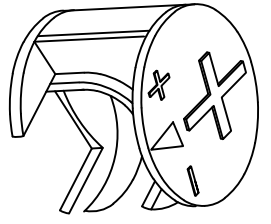


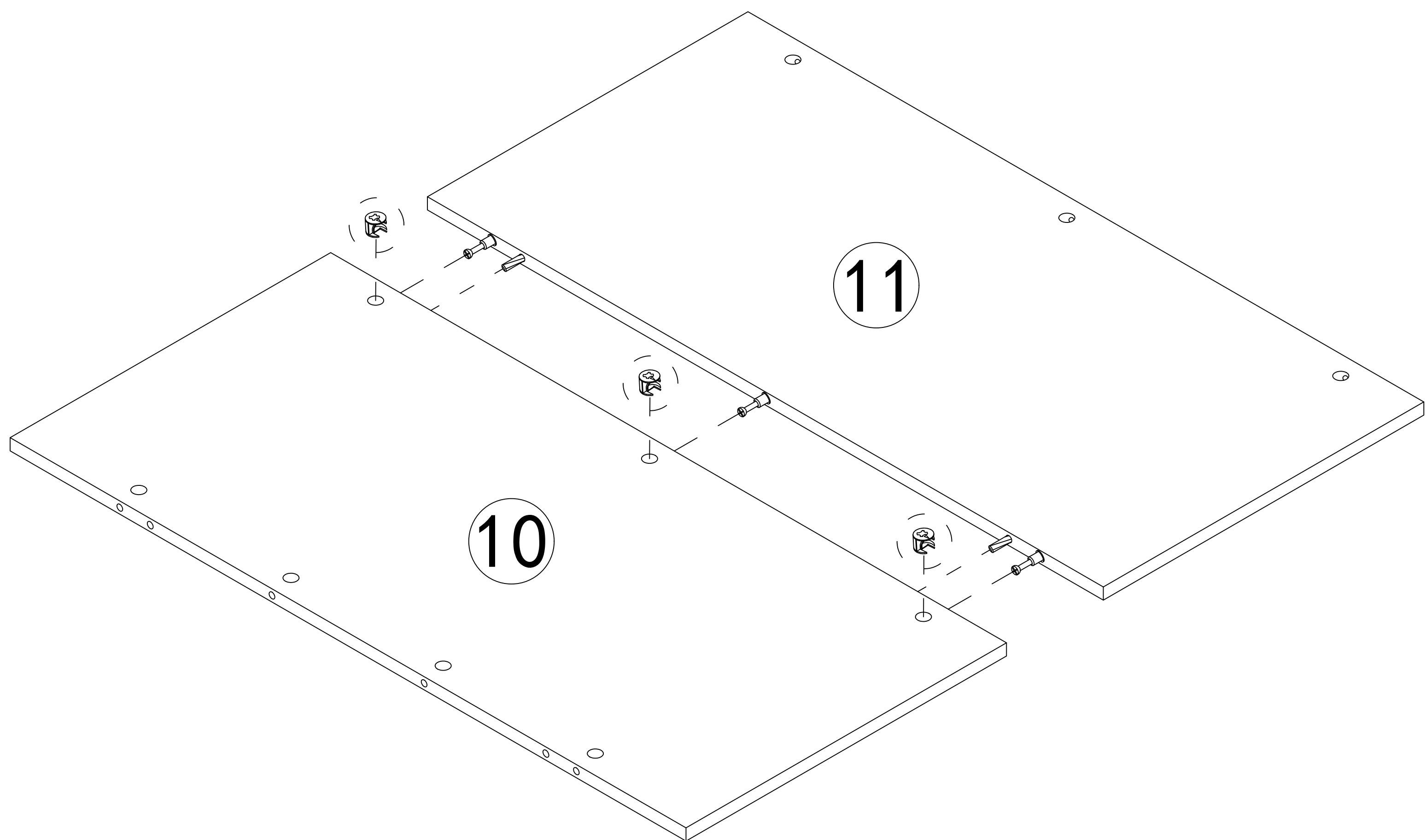
Step 8

- A  x3
- C  x2

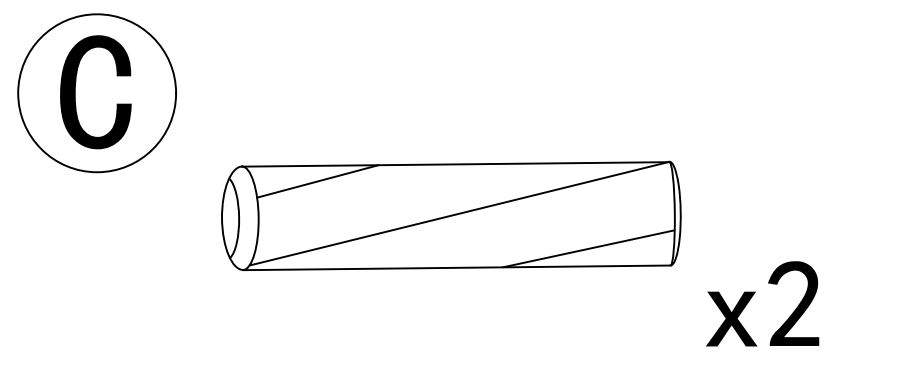
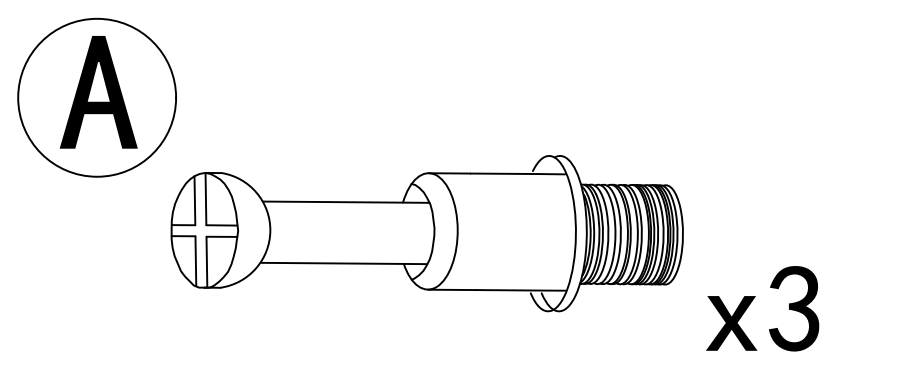
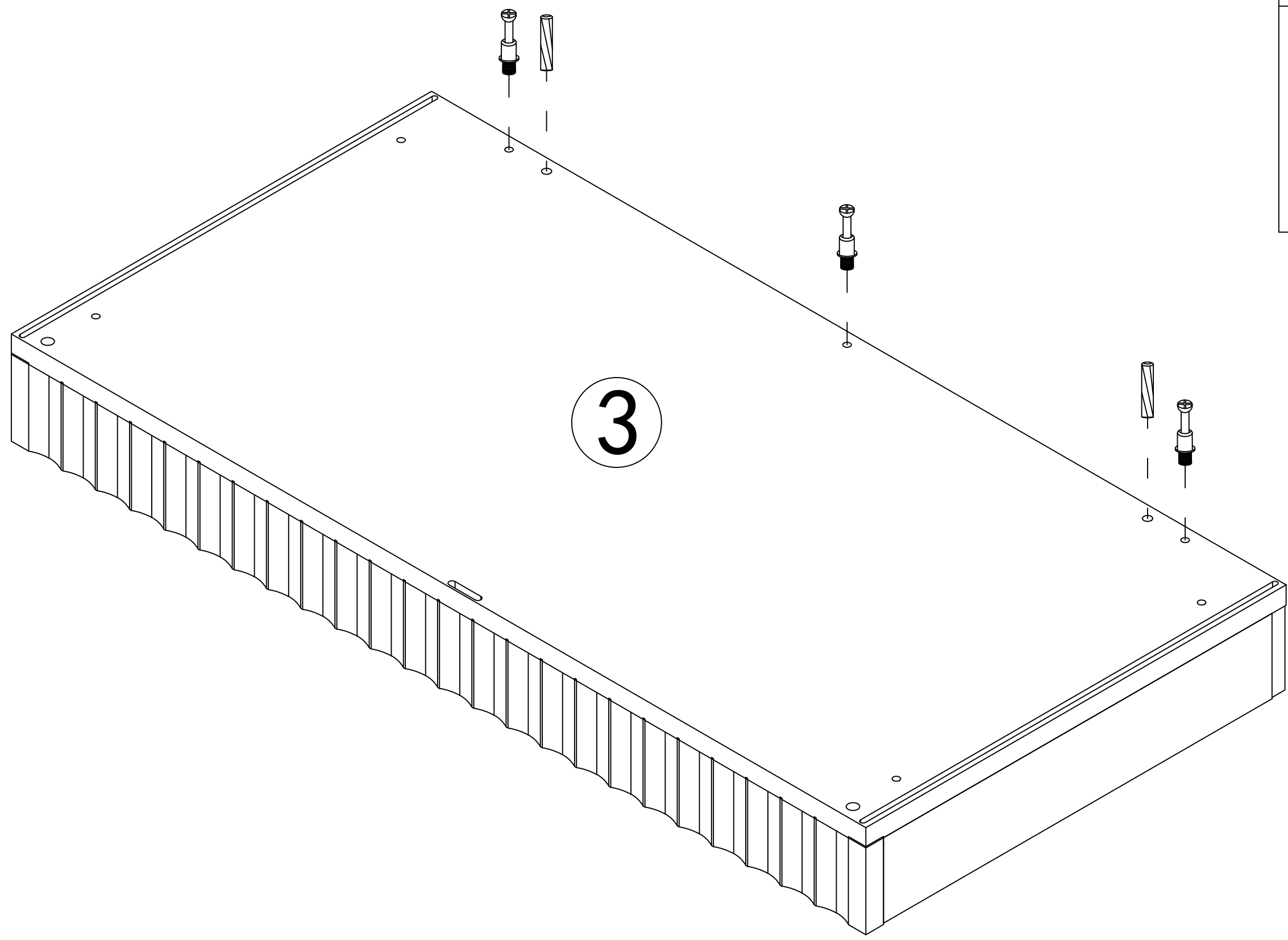


Step 9

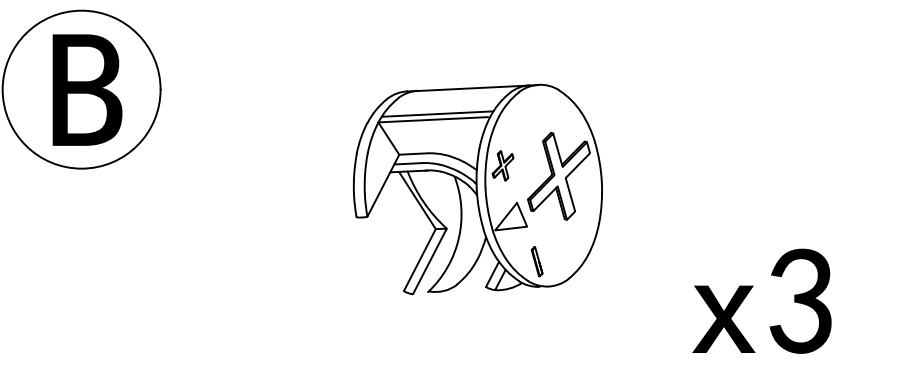
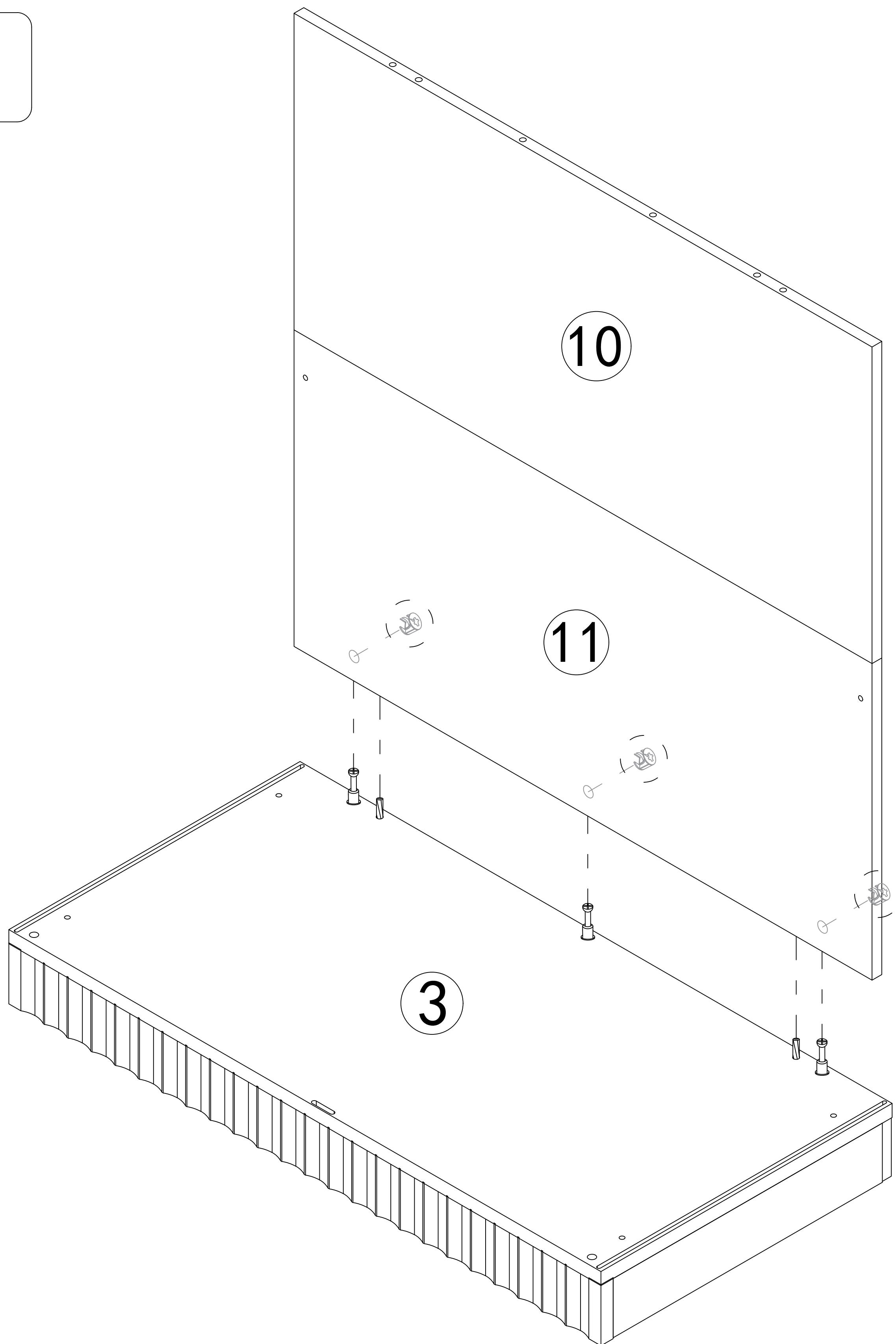
- B  x3



Step 10



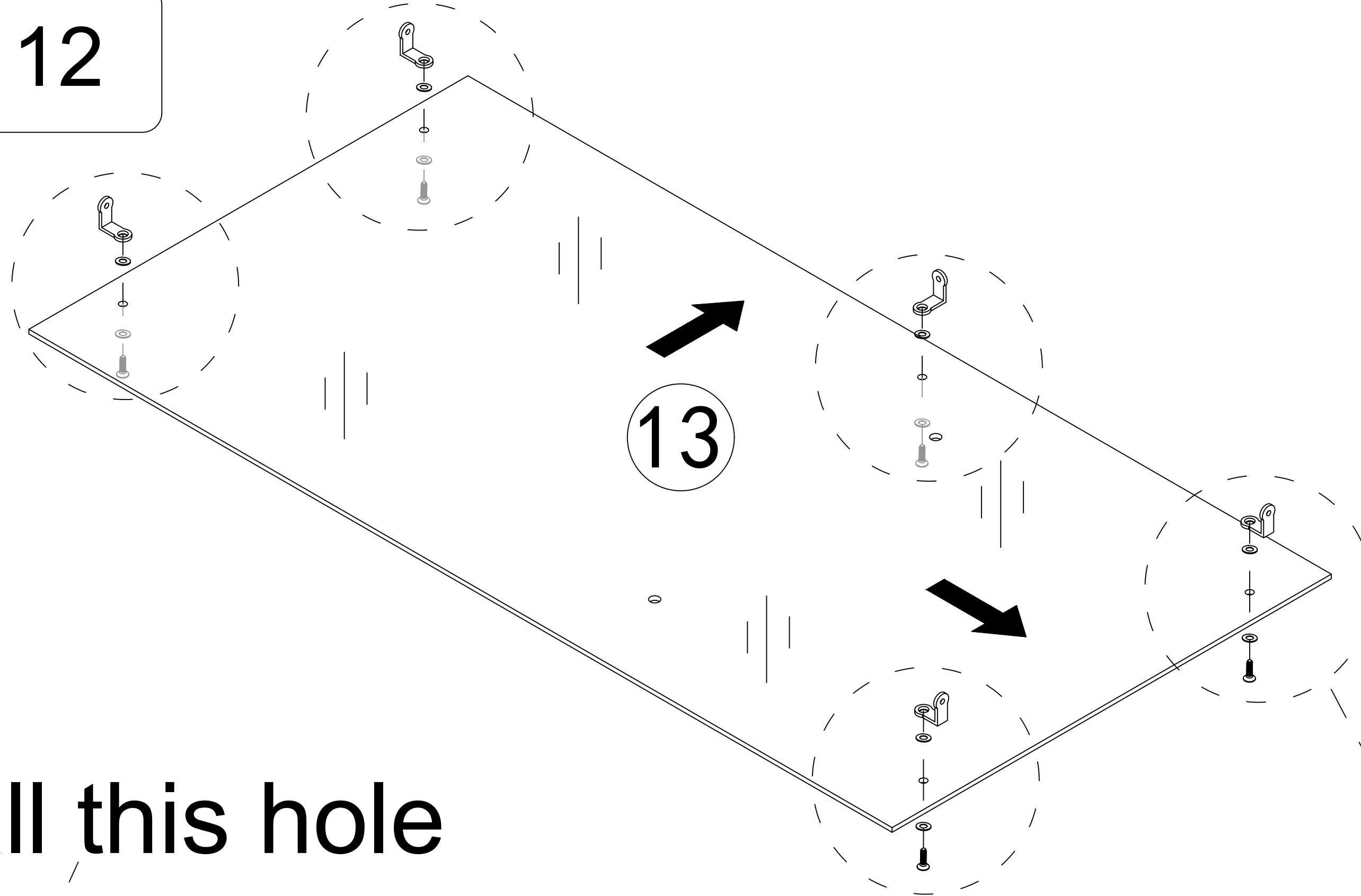
Step 11



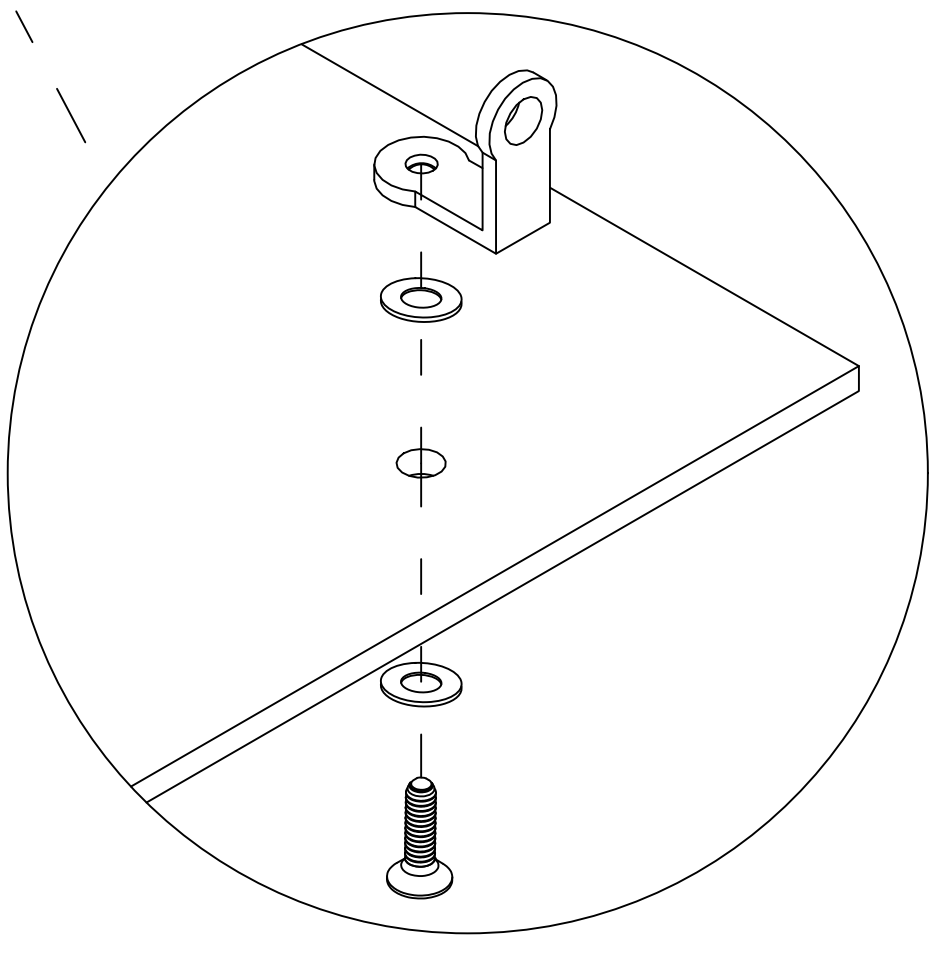
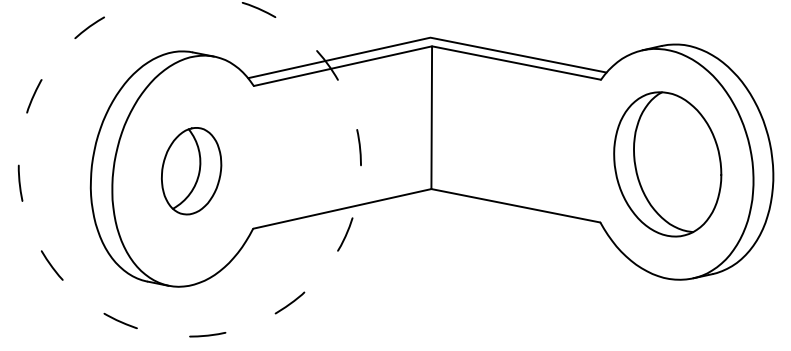
Step 12

Ⓔ

x5    x10    x5



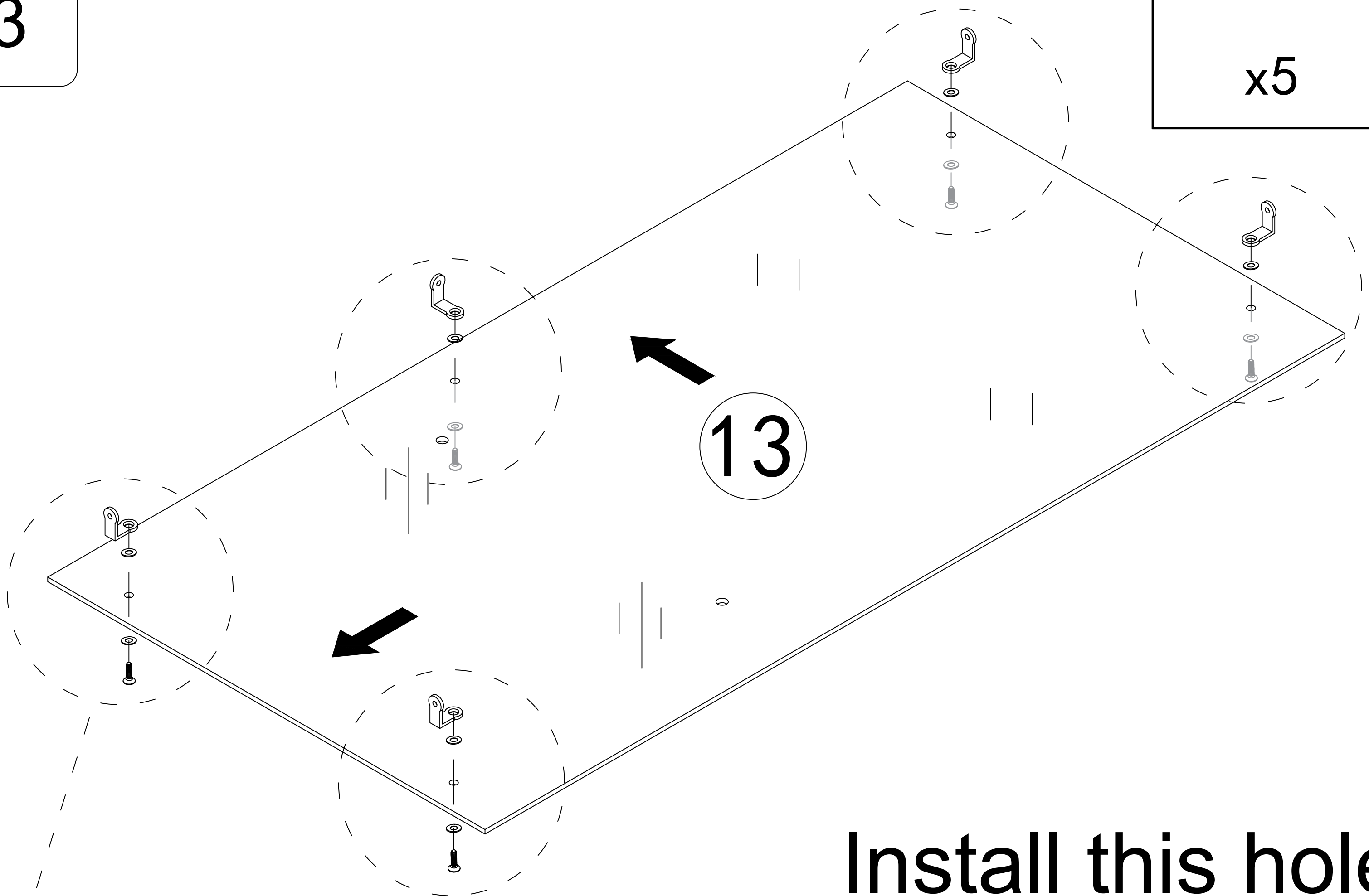
Install this hole



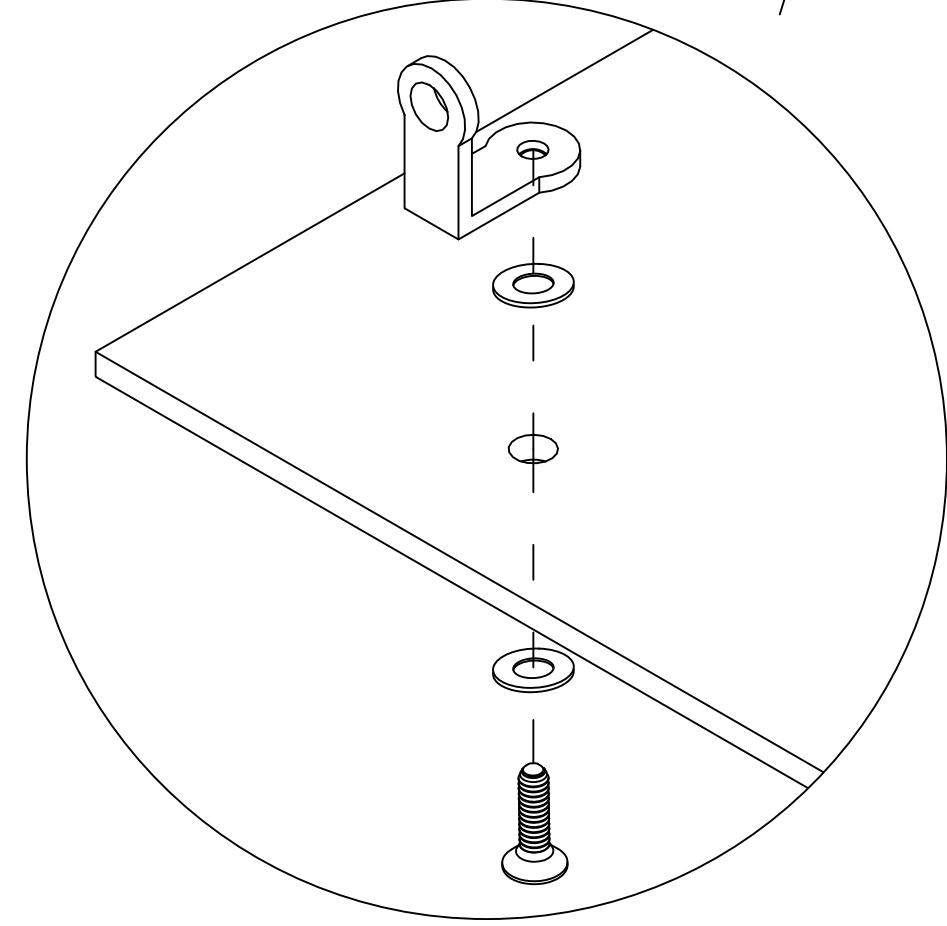
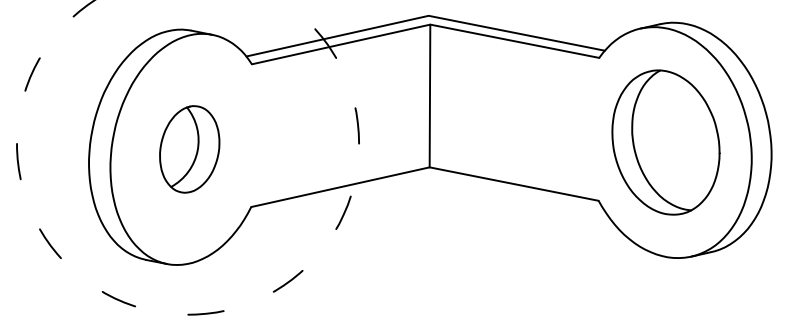
Step 13

Ⓔ

x5    x10    x5

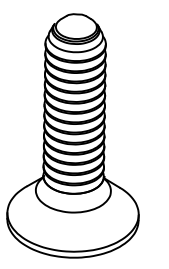


Install this hole

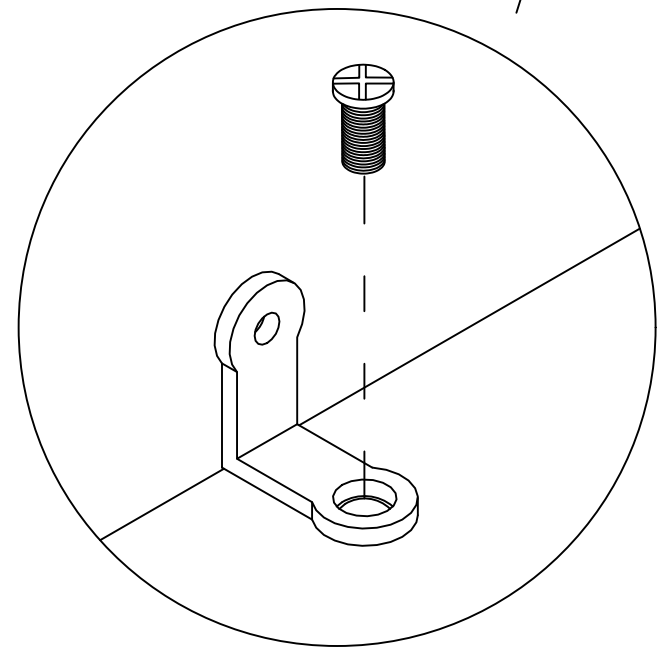
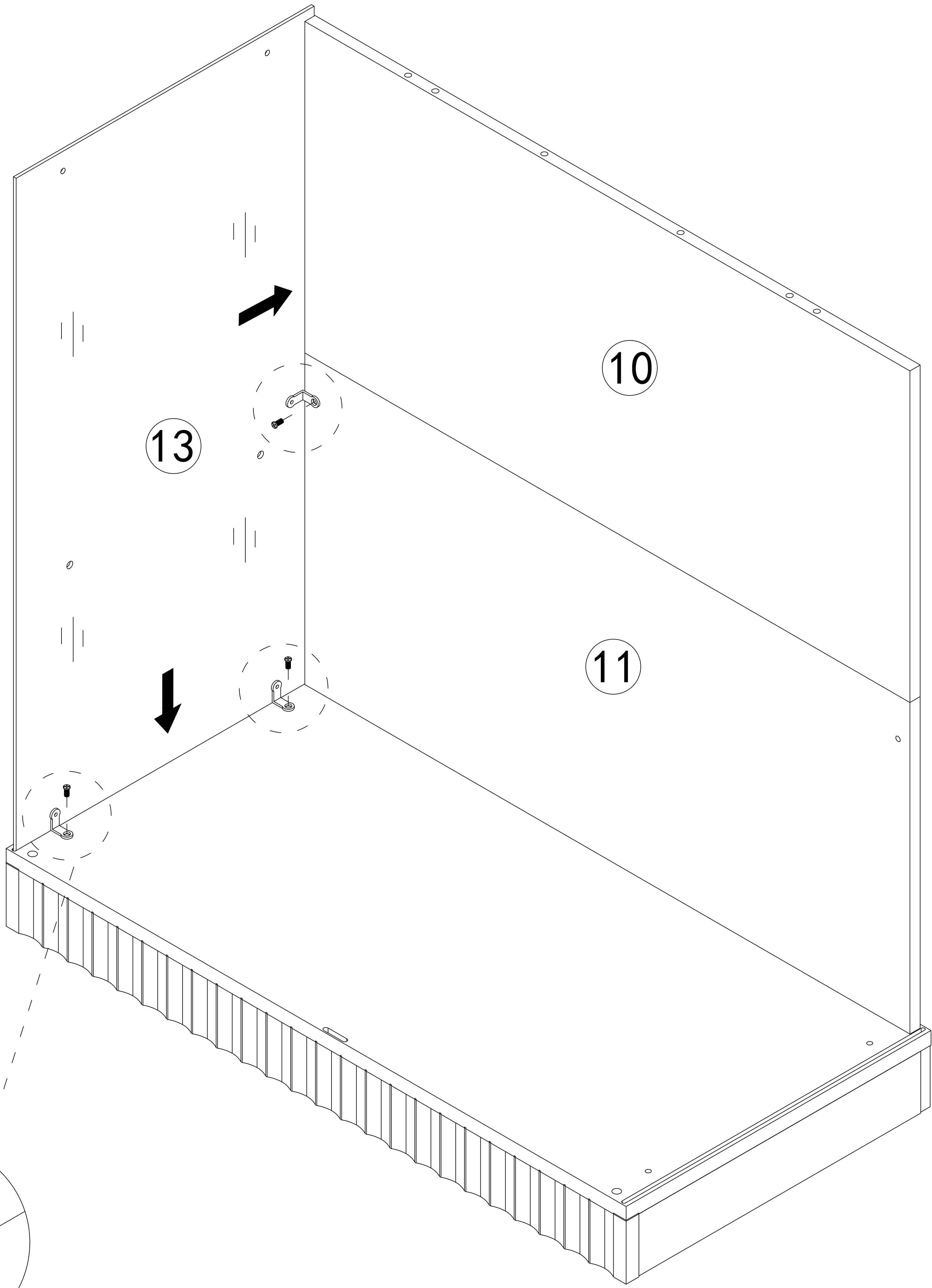


Step 14

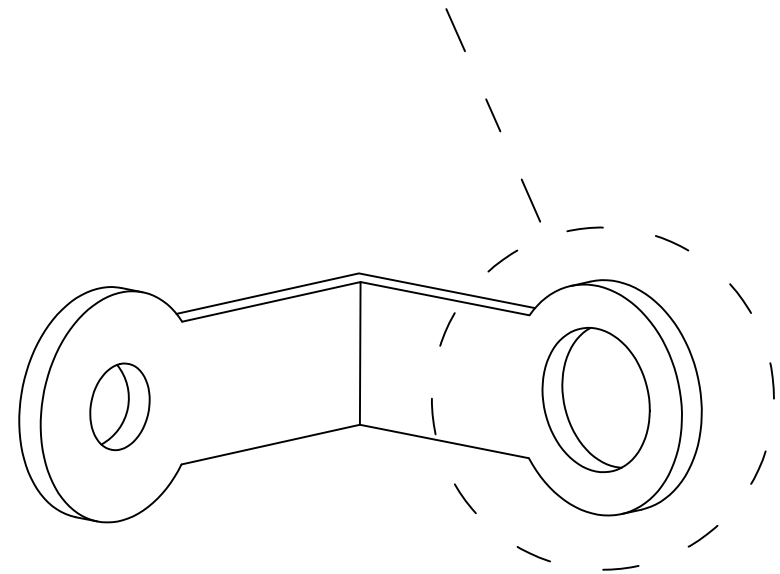
F



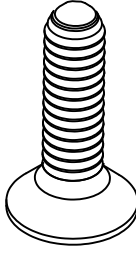
x3

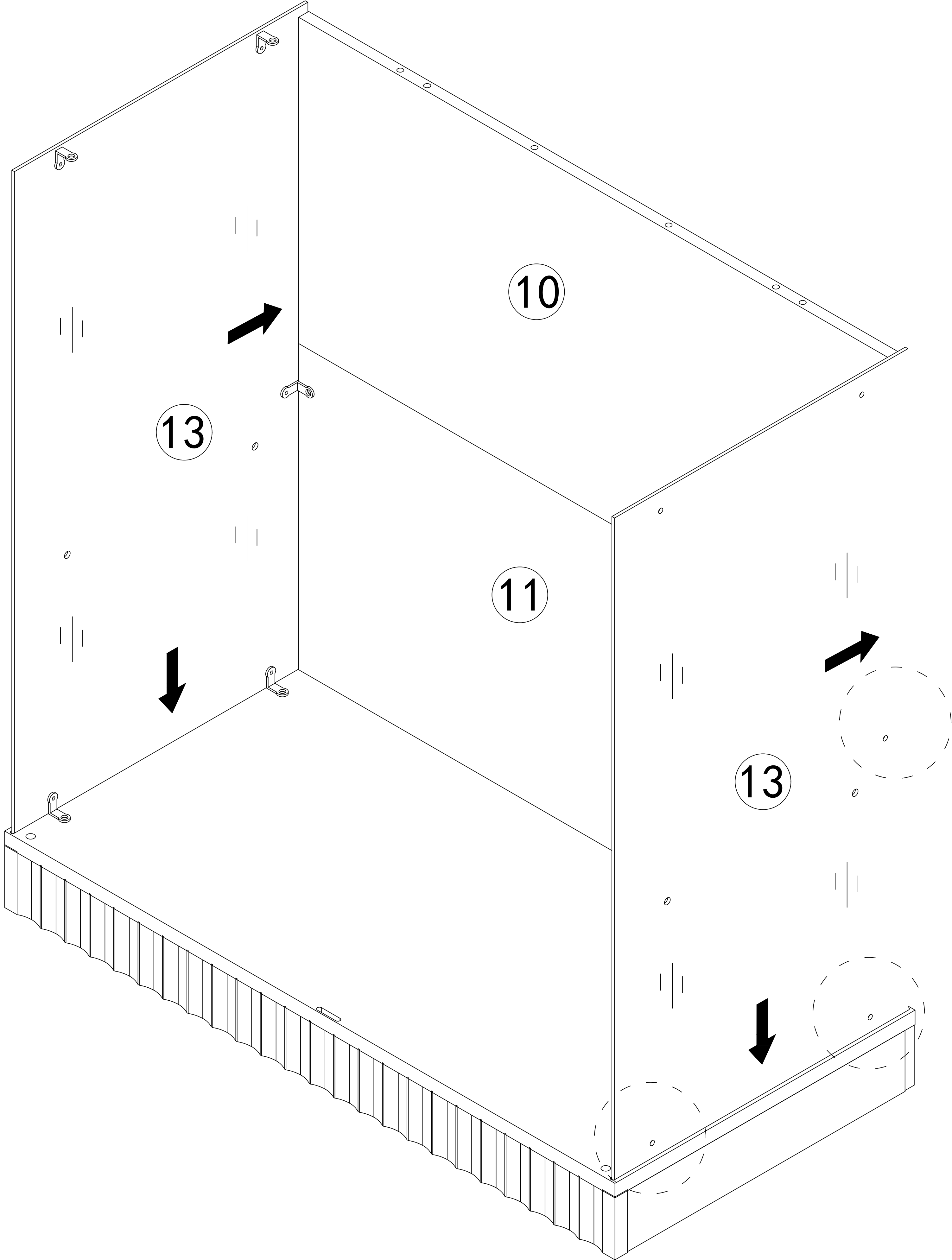


Install this hole



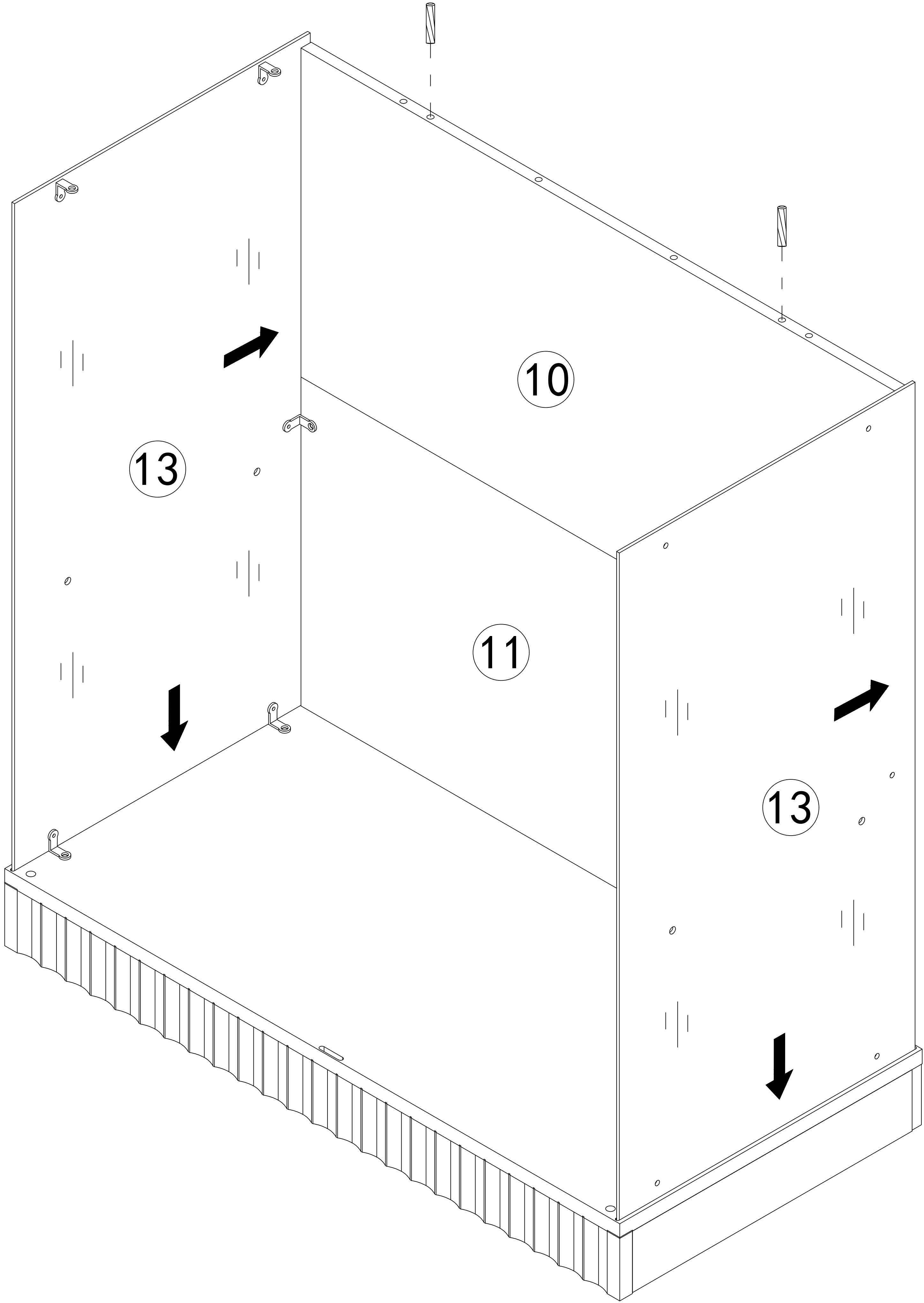
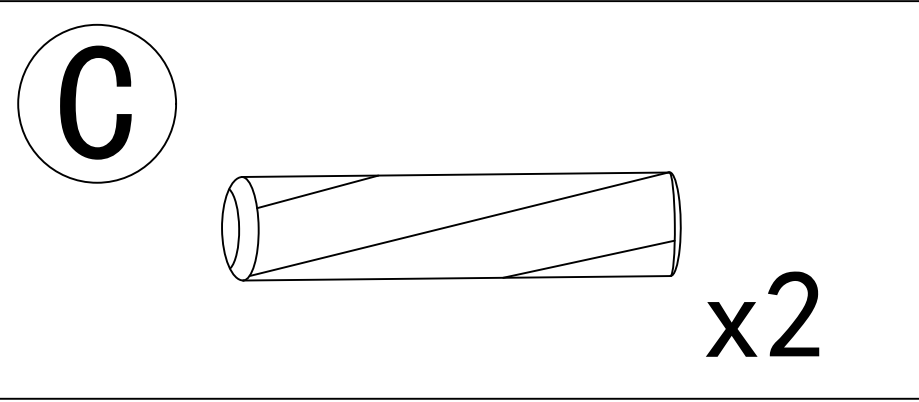
Step 15

ⓕ   
x3

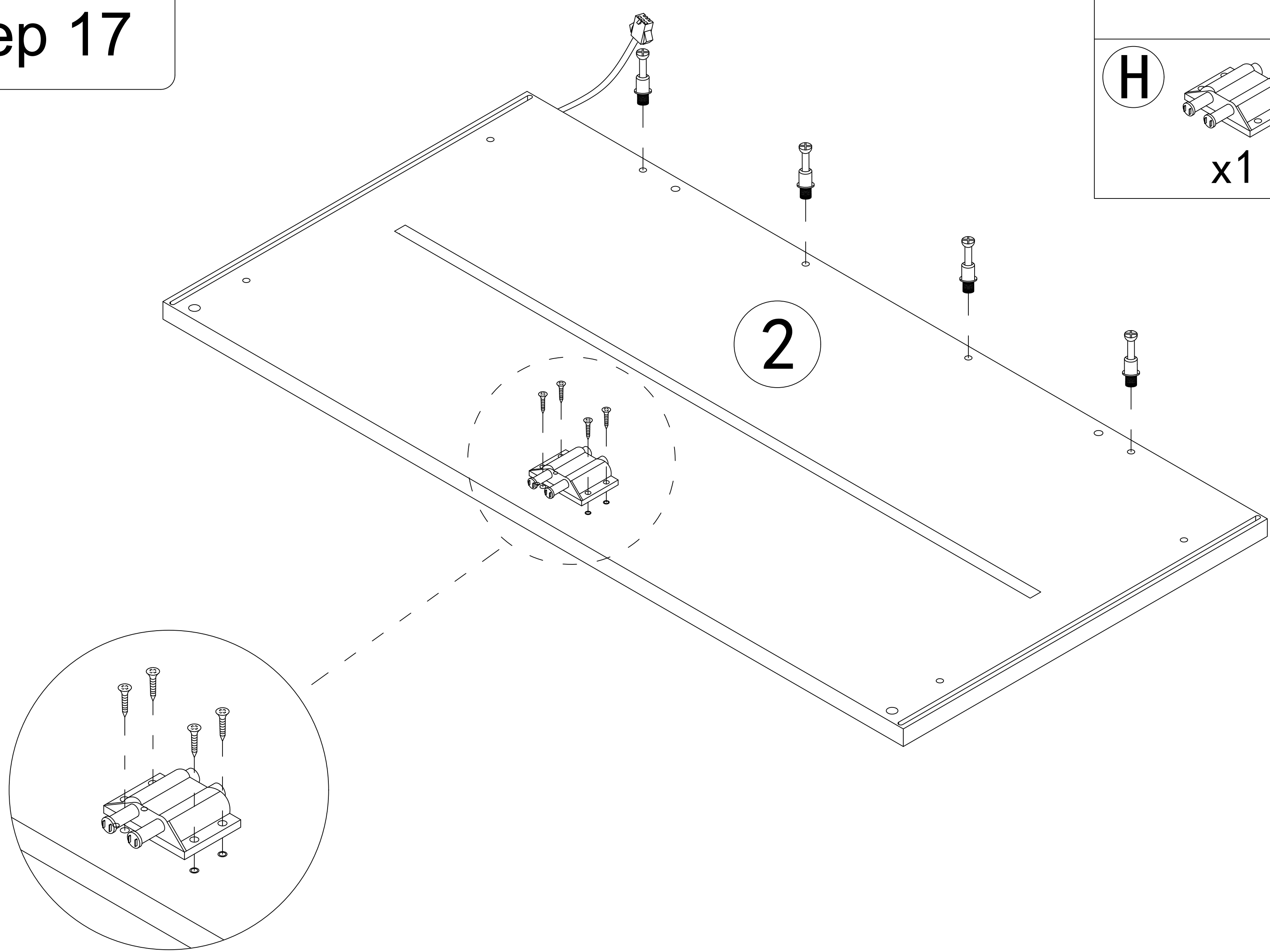


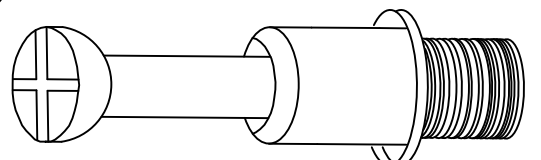
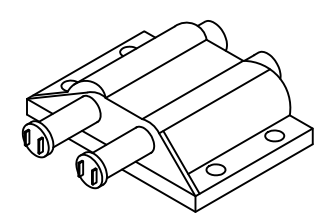
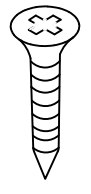
Repeat the above glass side plate installation steps.

Step 16

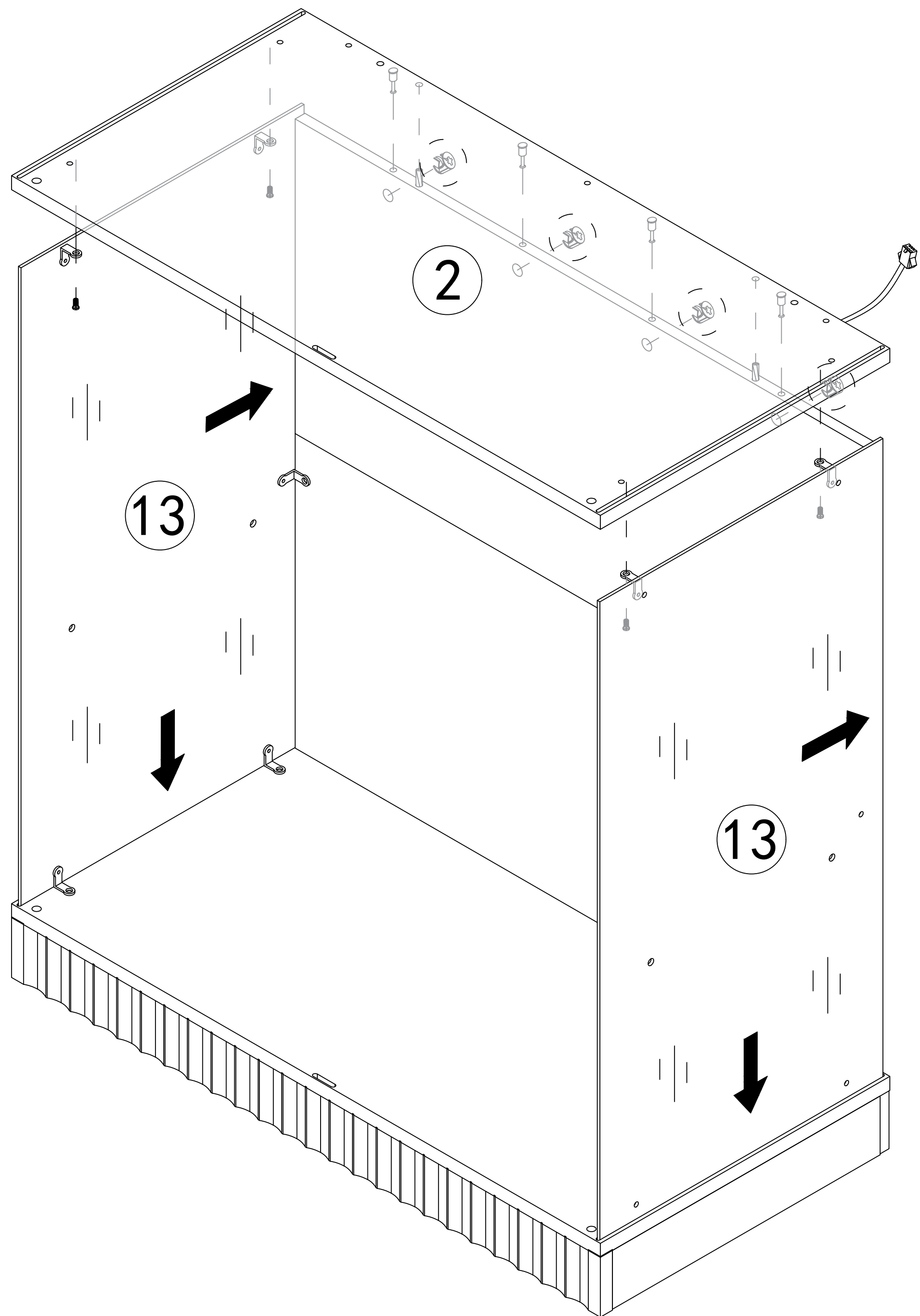


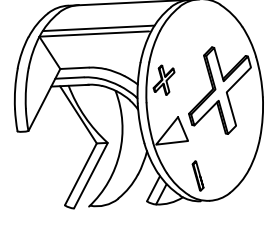
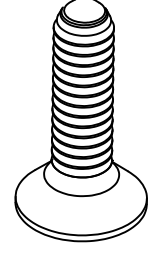
Step 17



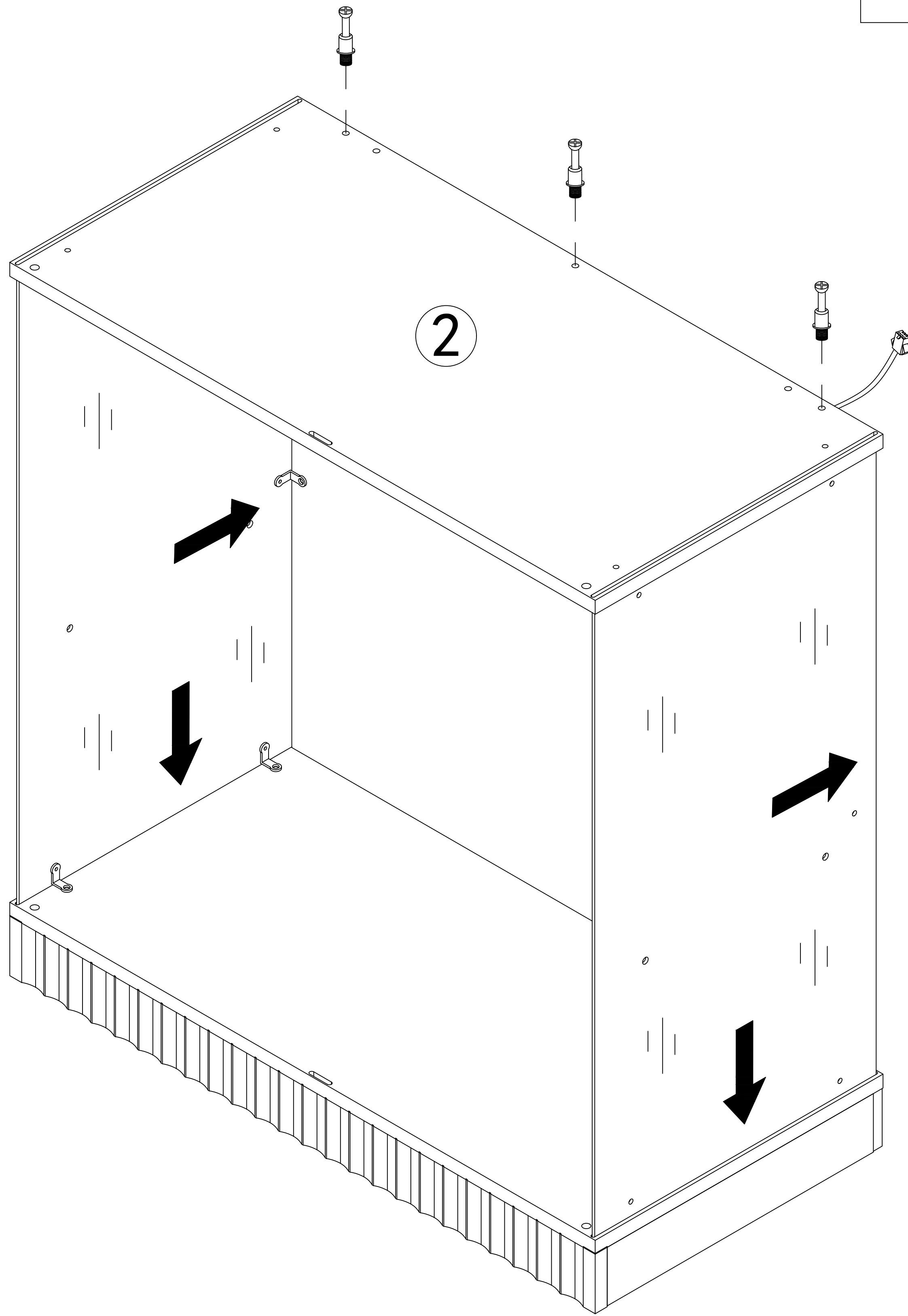
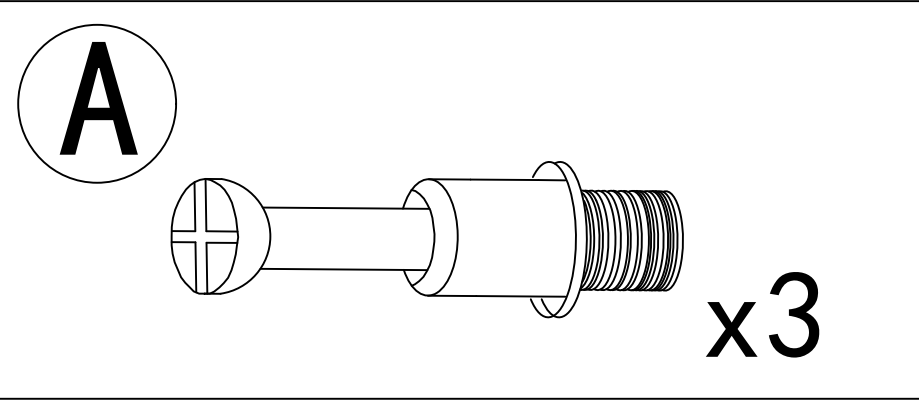
- A**  x4
- H**  x1  x4

Step 18

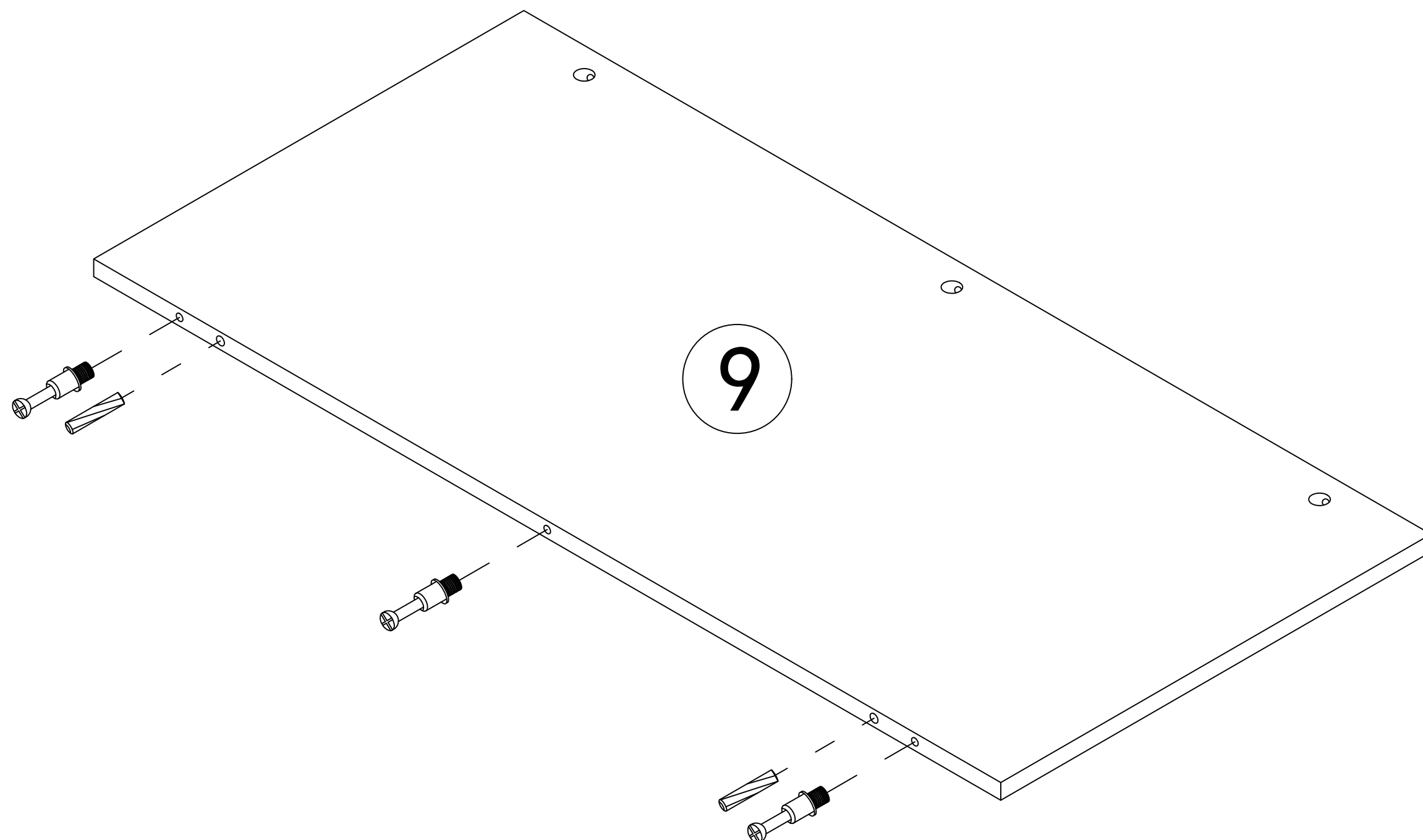
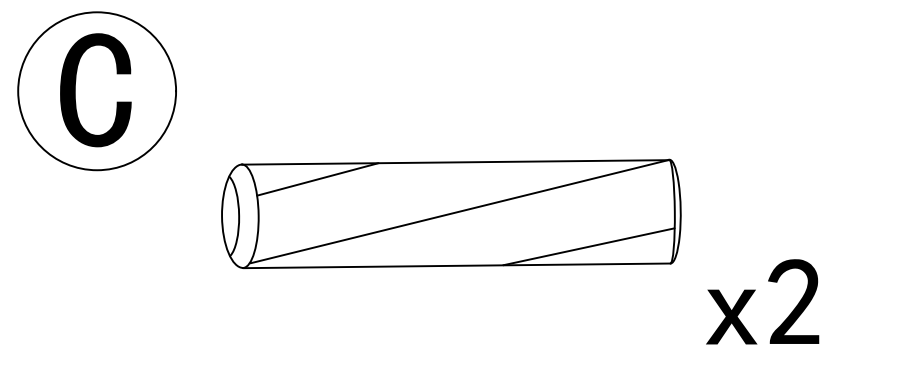
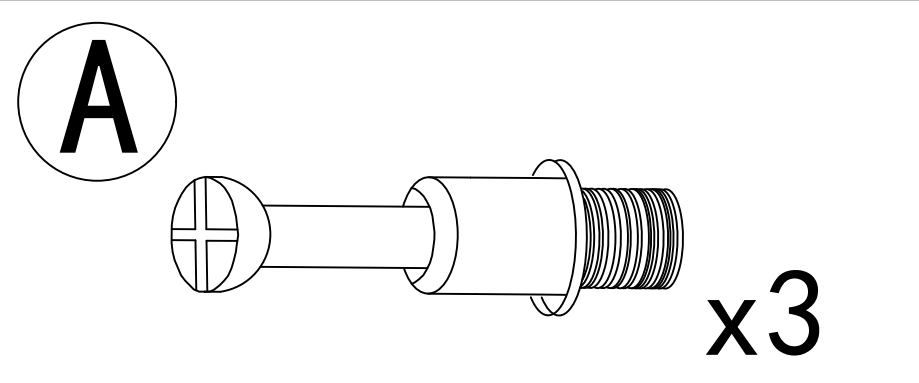


- B**  x4
- F**  x4

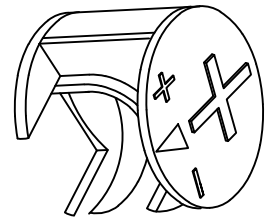
Step 19

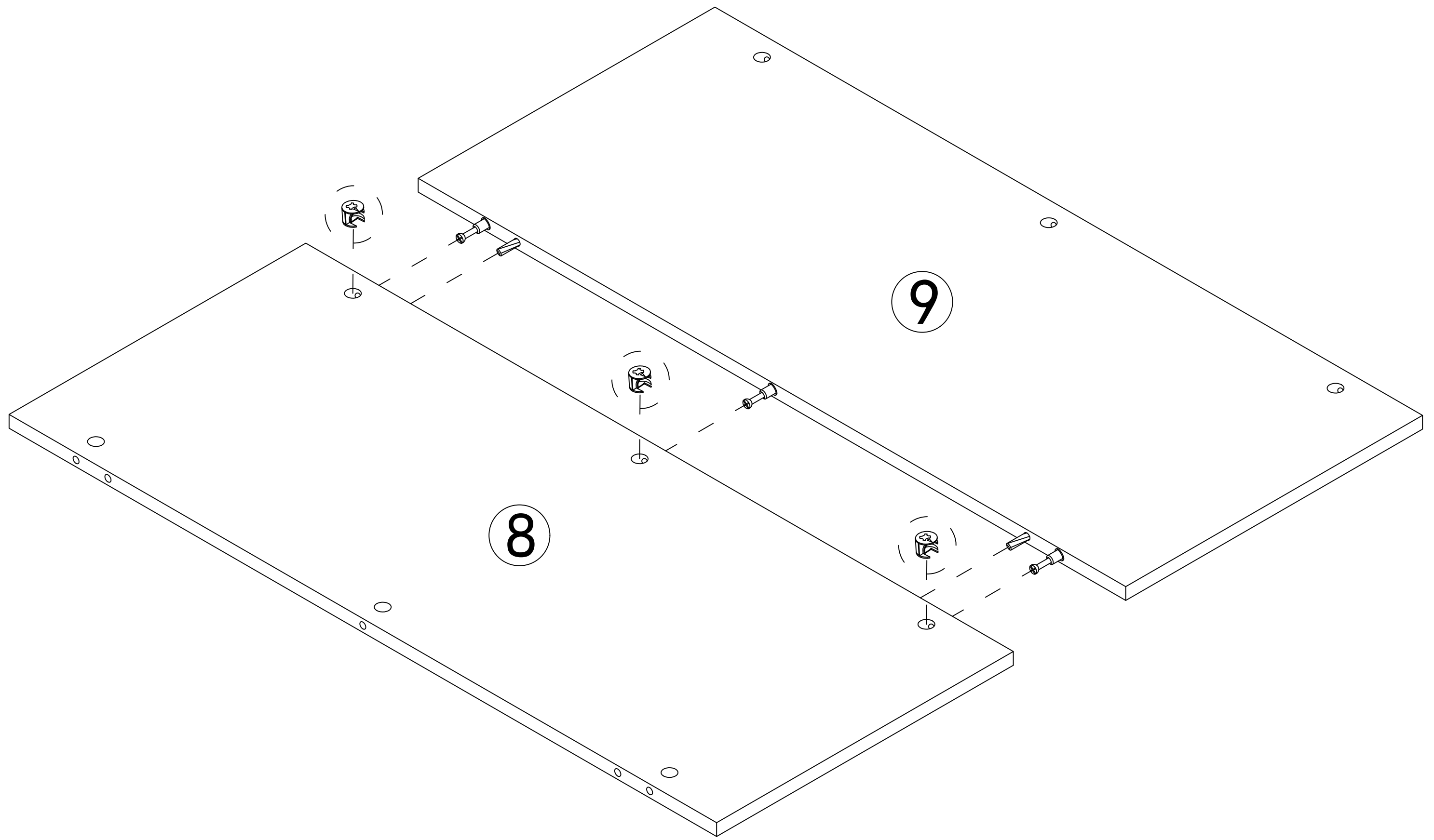


Step 20

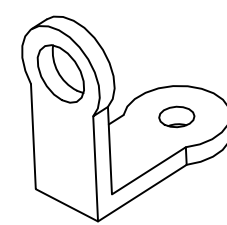

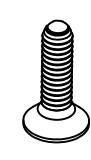


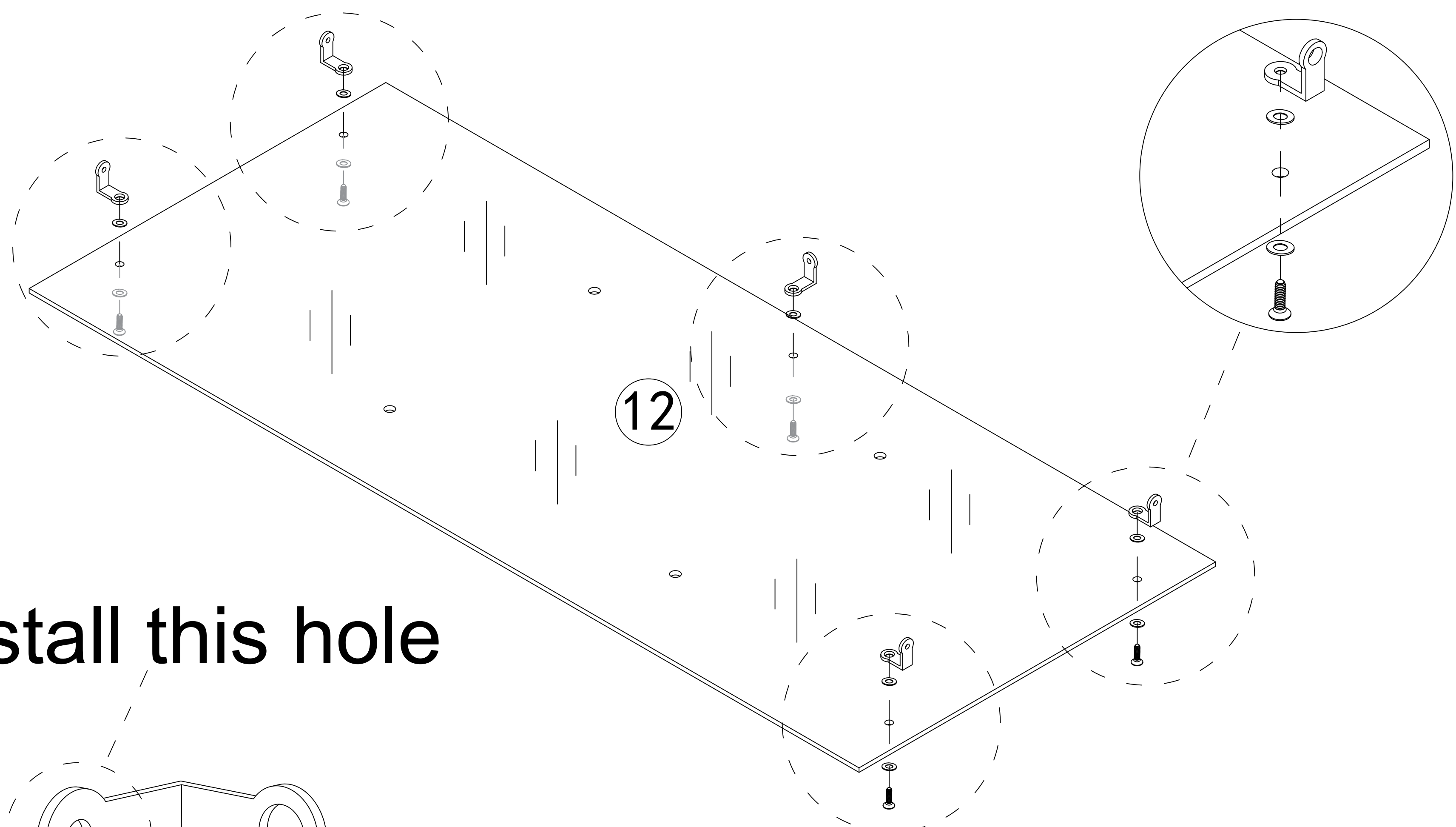
Step 21

**B**  x3

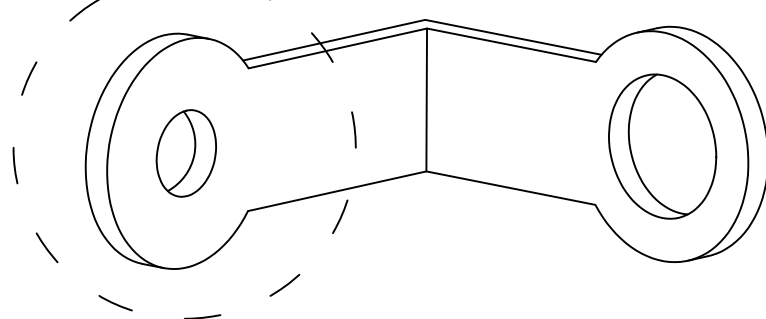


Step 22

**E**  x5  x10  x5

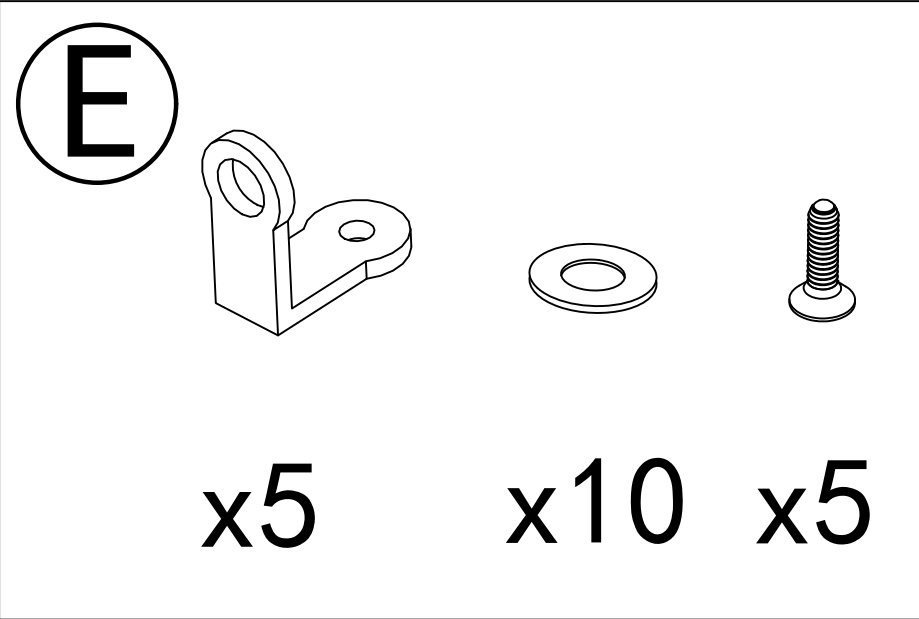


Install this hole

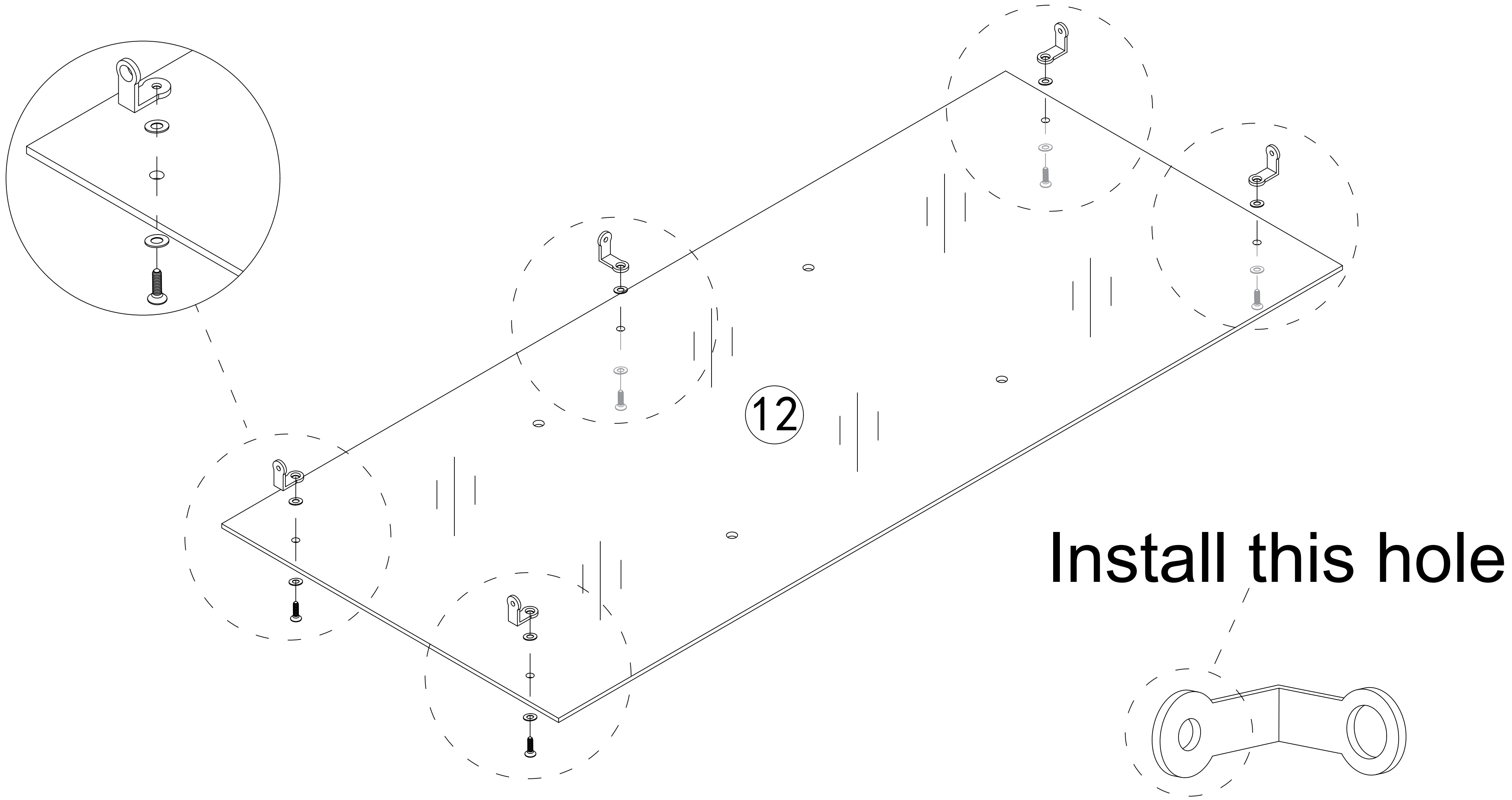


# Step 23

**E**

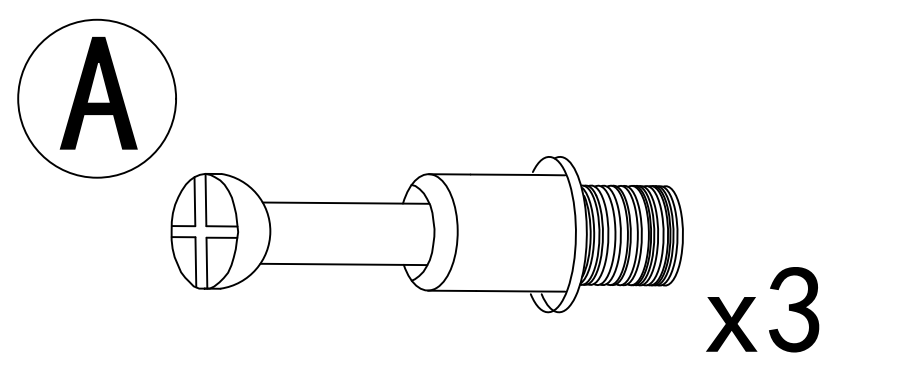


x5    x10    x5

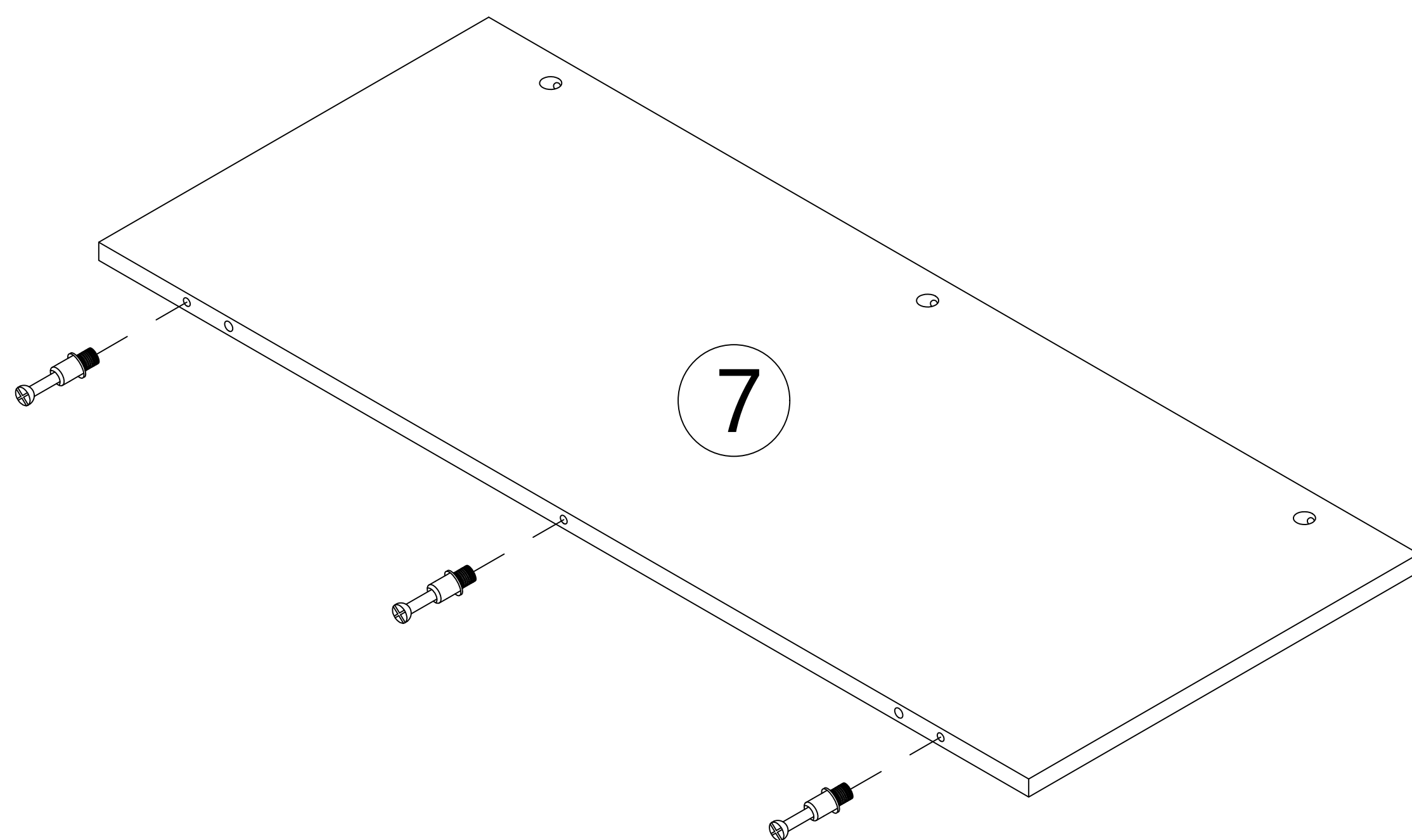


# Step 24

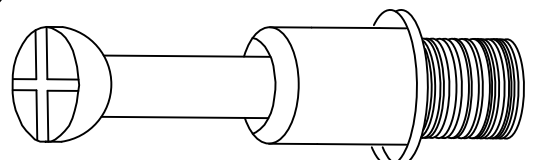
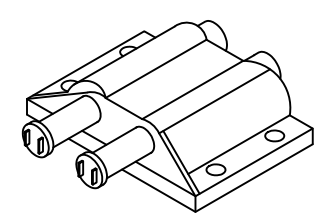
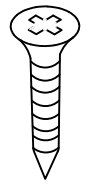
**A**

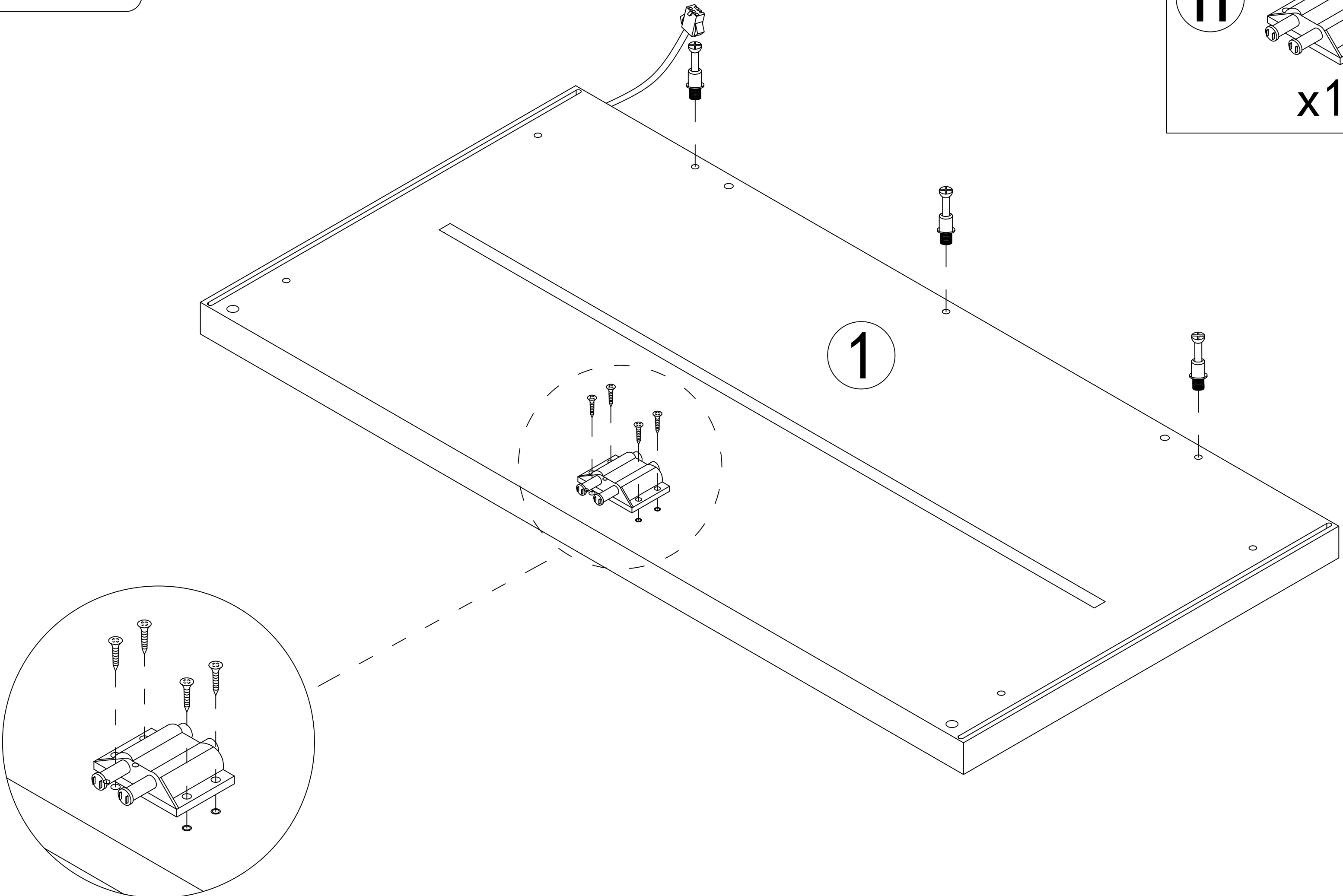


x3




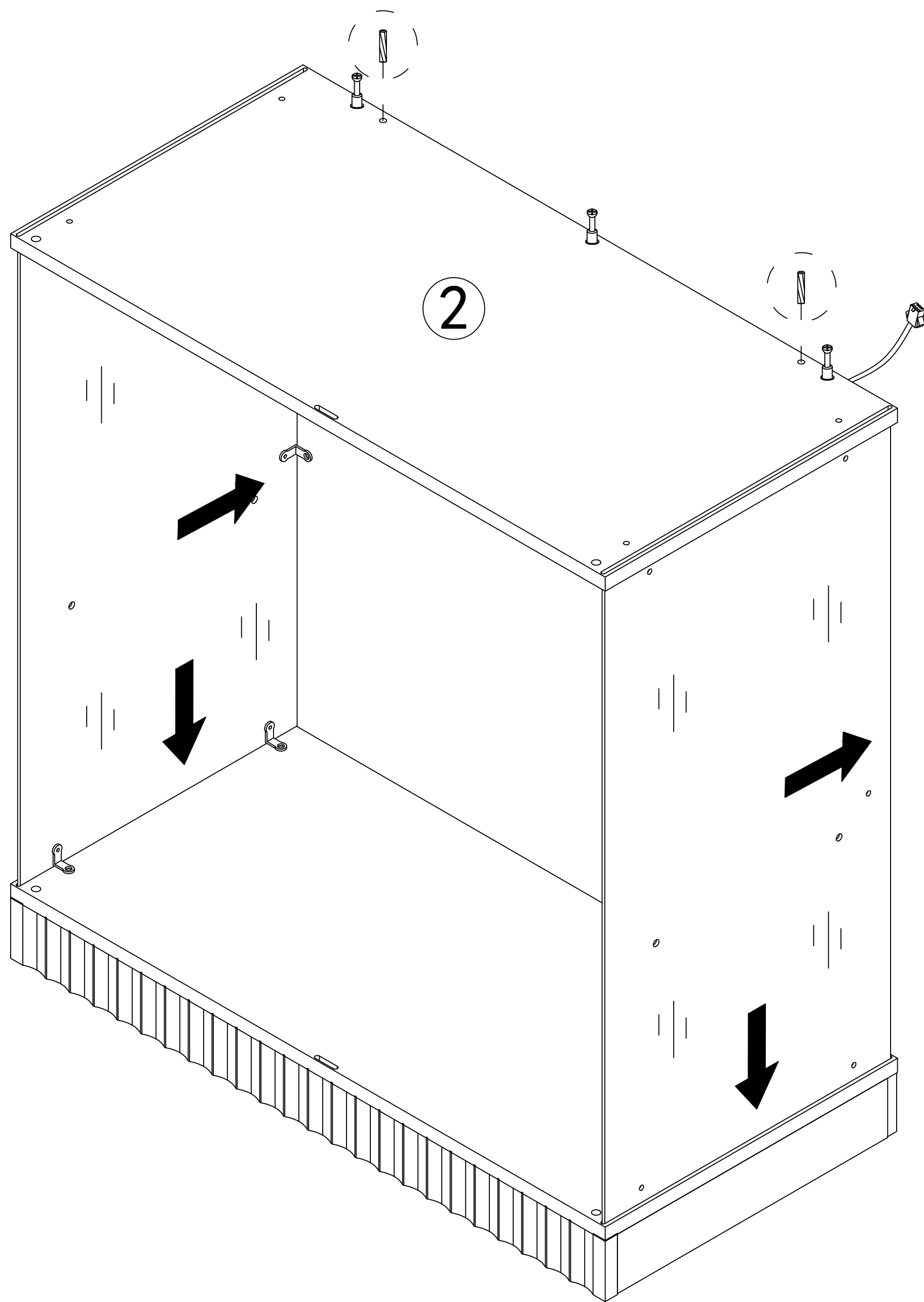
# Step 25

- A**  x3
- H**  x1  x4



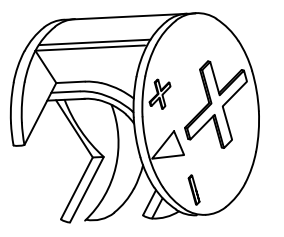
# Step 26

- C**  x2

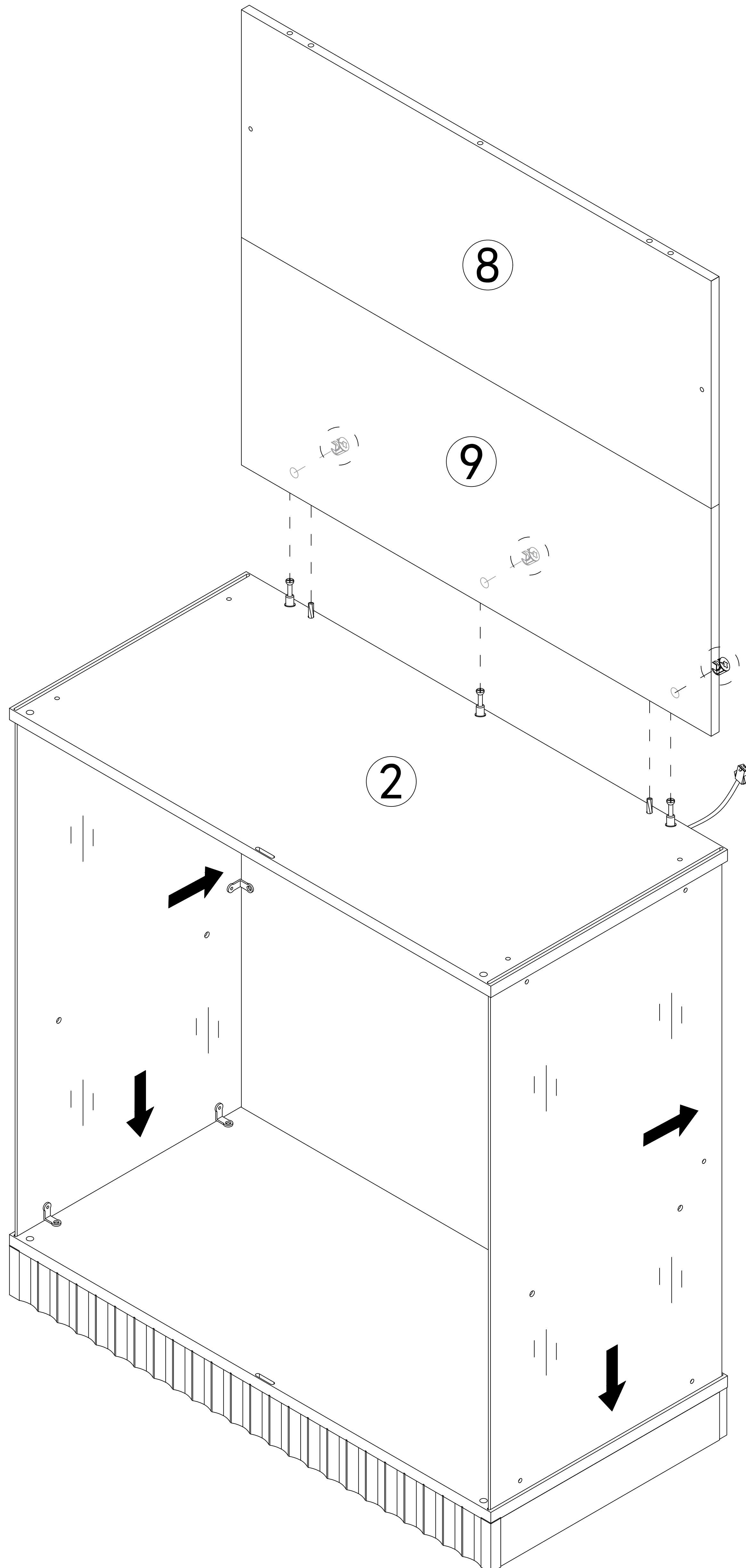


Step 27

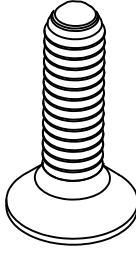
B

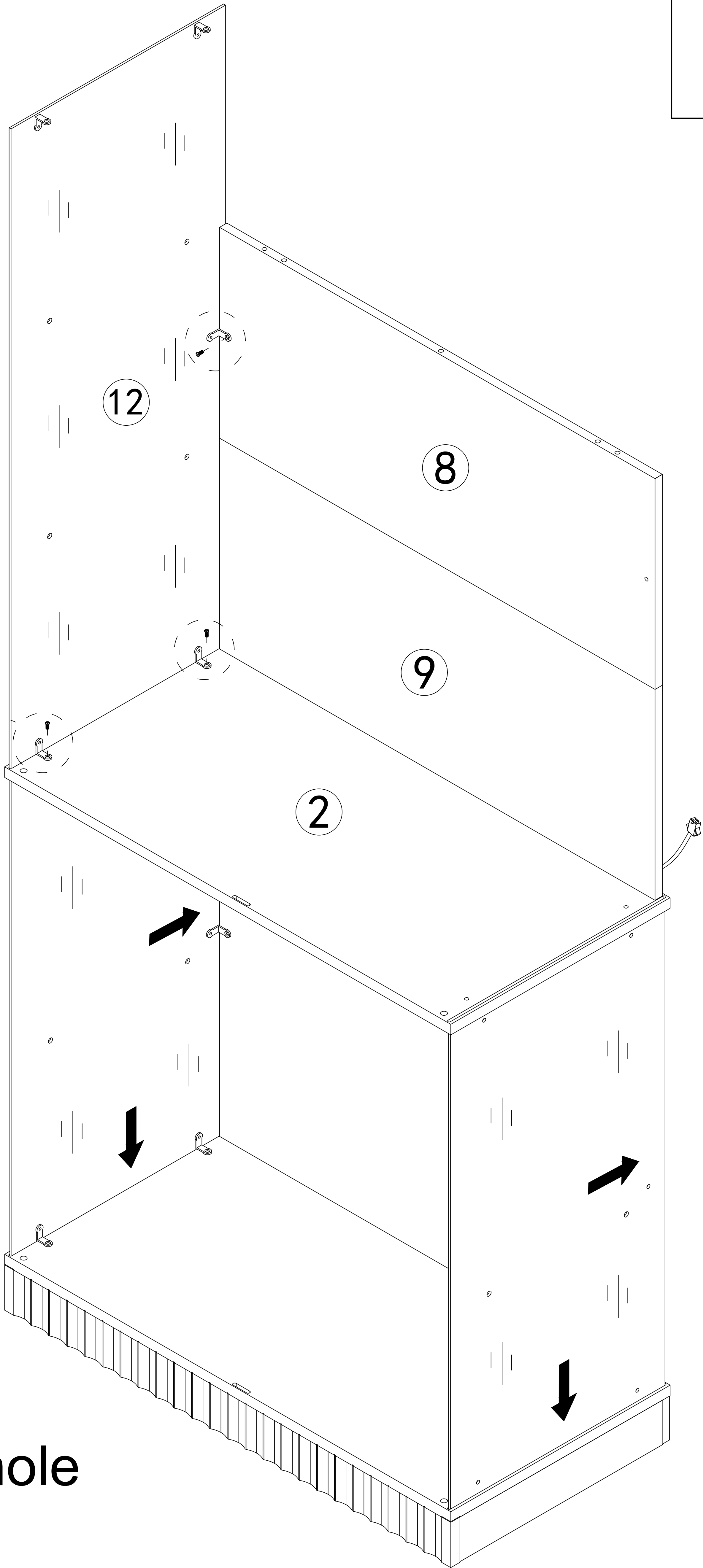
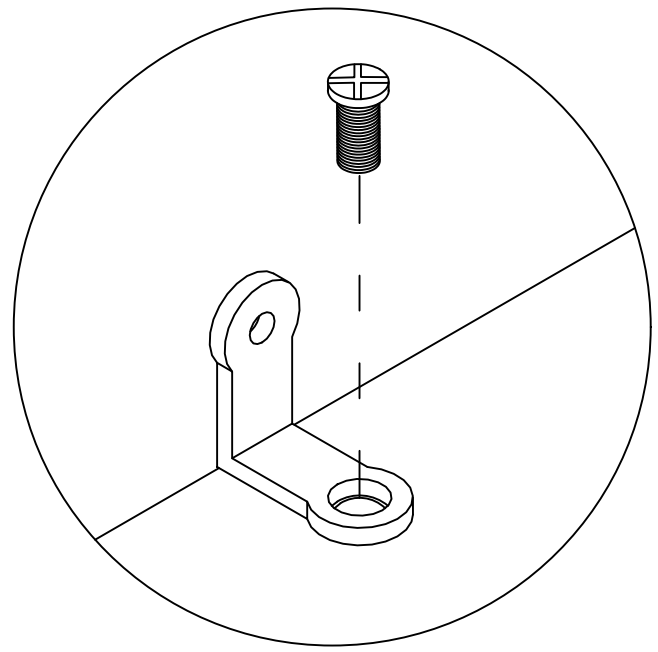


x3

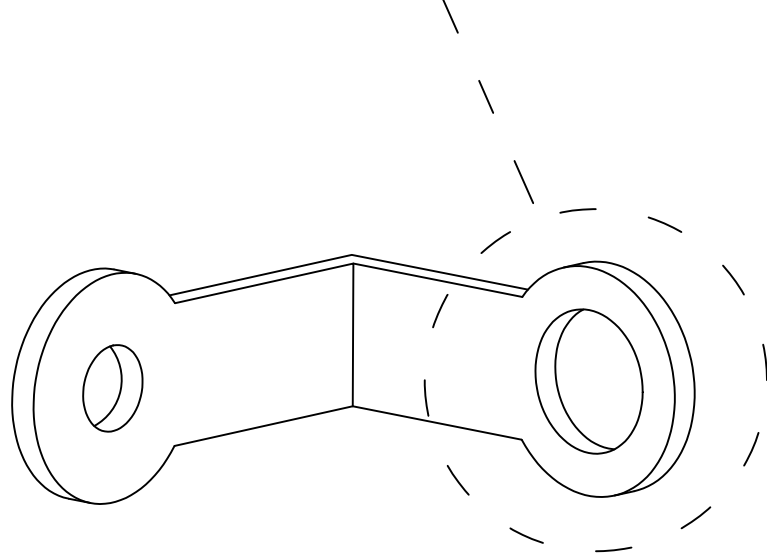


Step 28

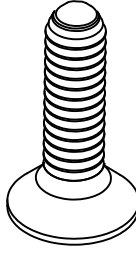
F   
x3

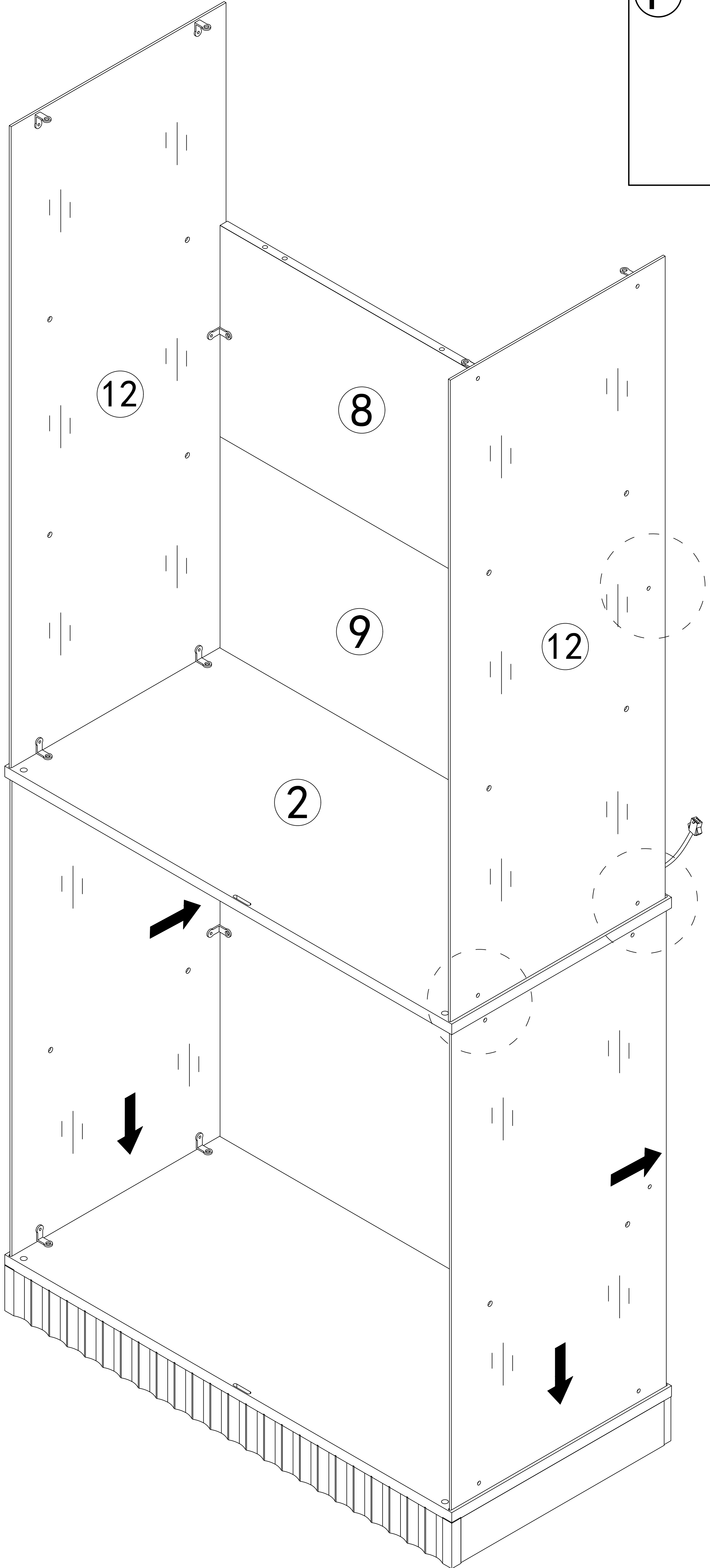


Install this hole



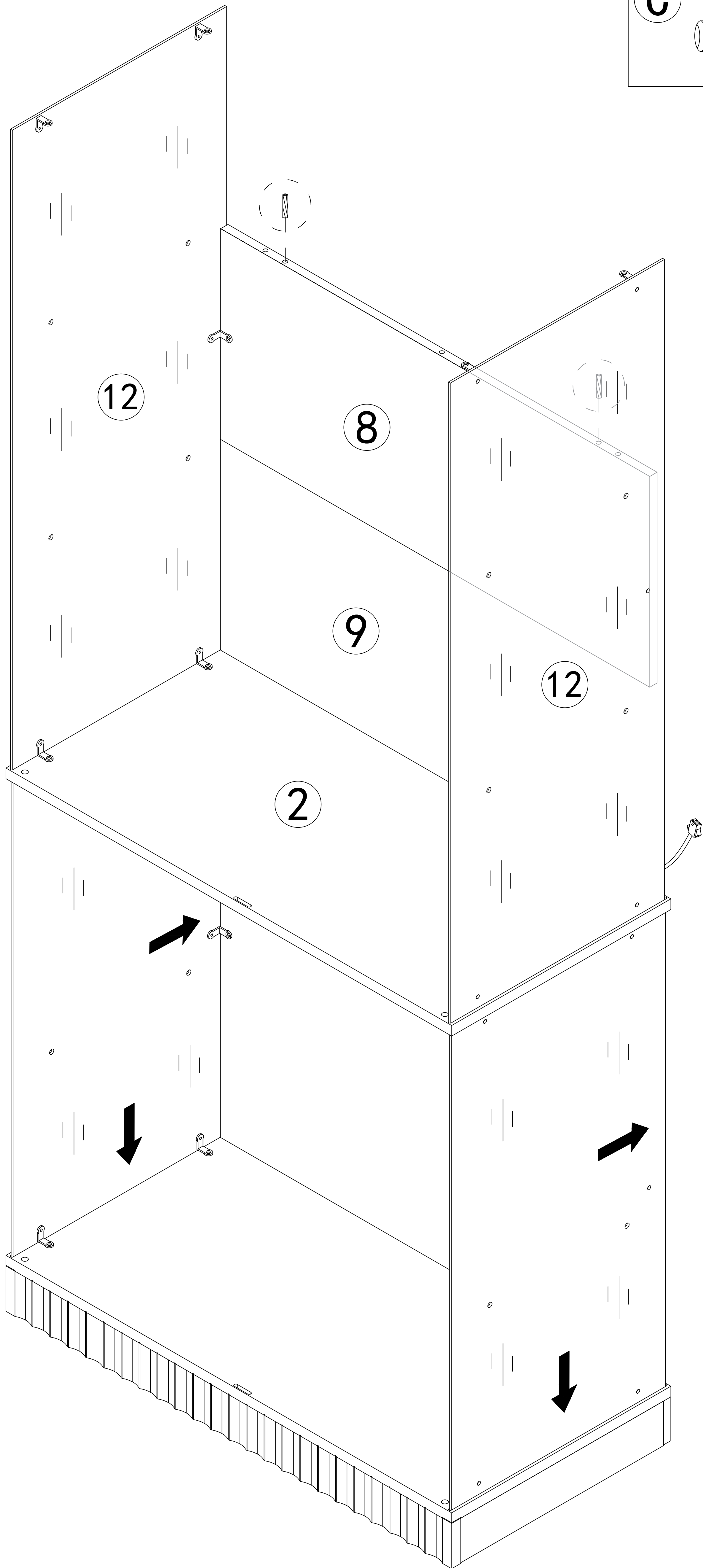
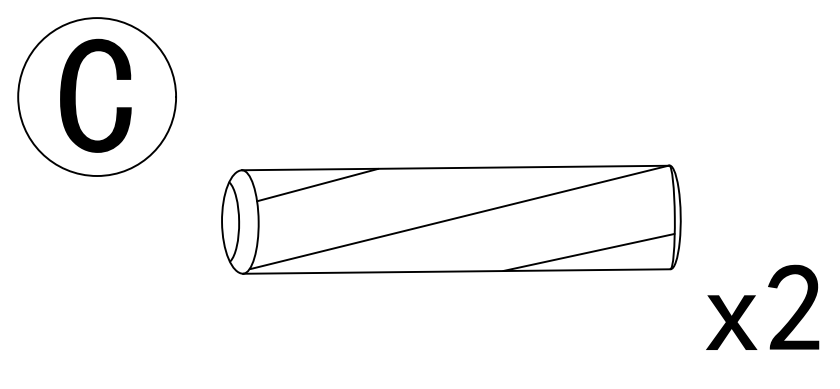
Step 29

F   
x3



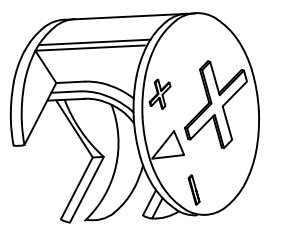
Repeat the above glass side plate installation steps.

Step 30

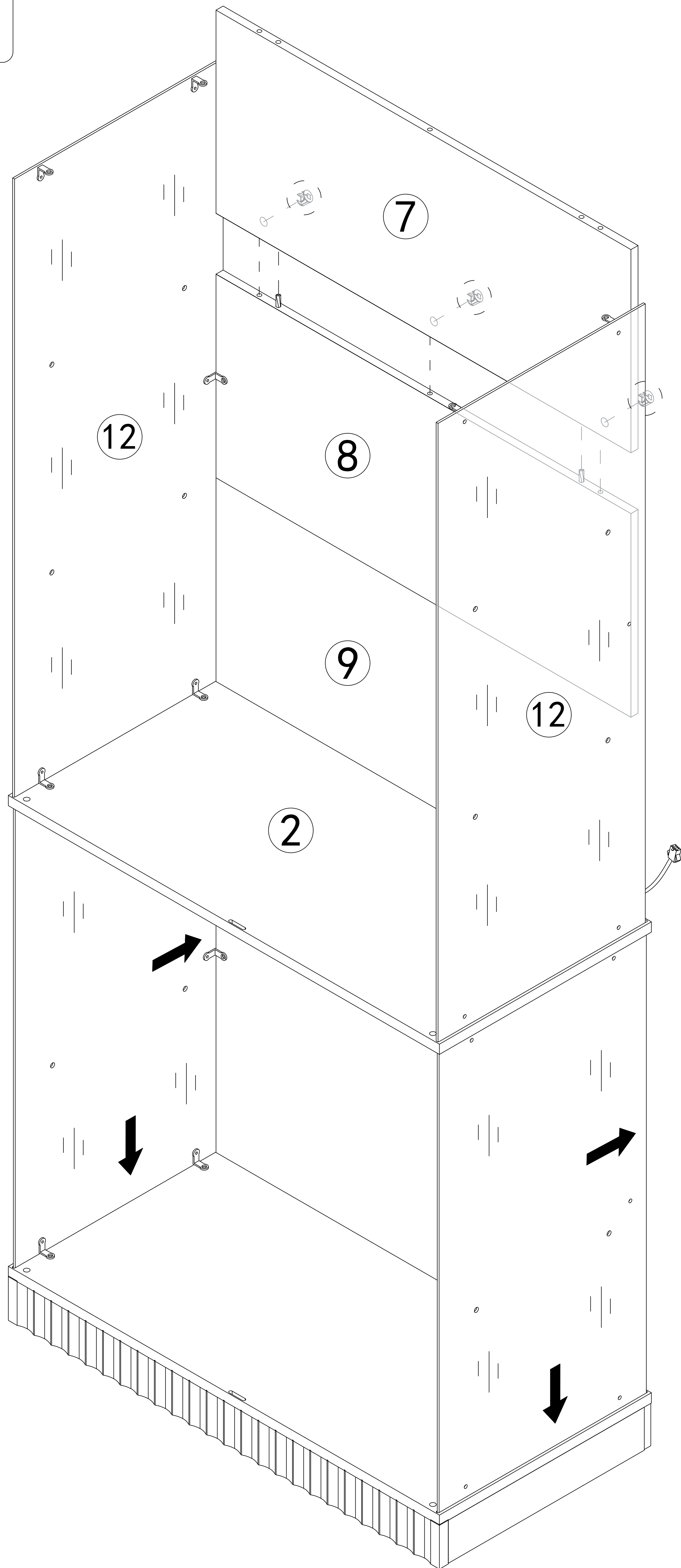


Step 31

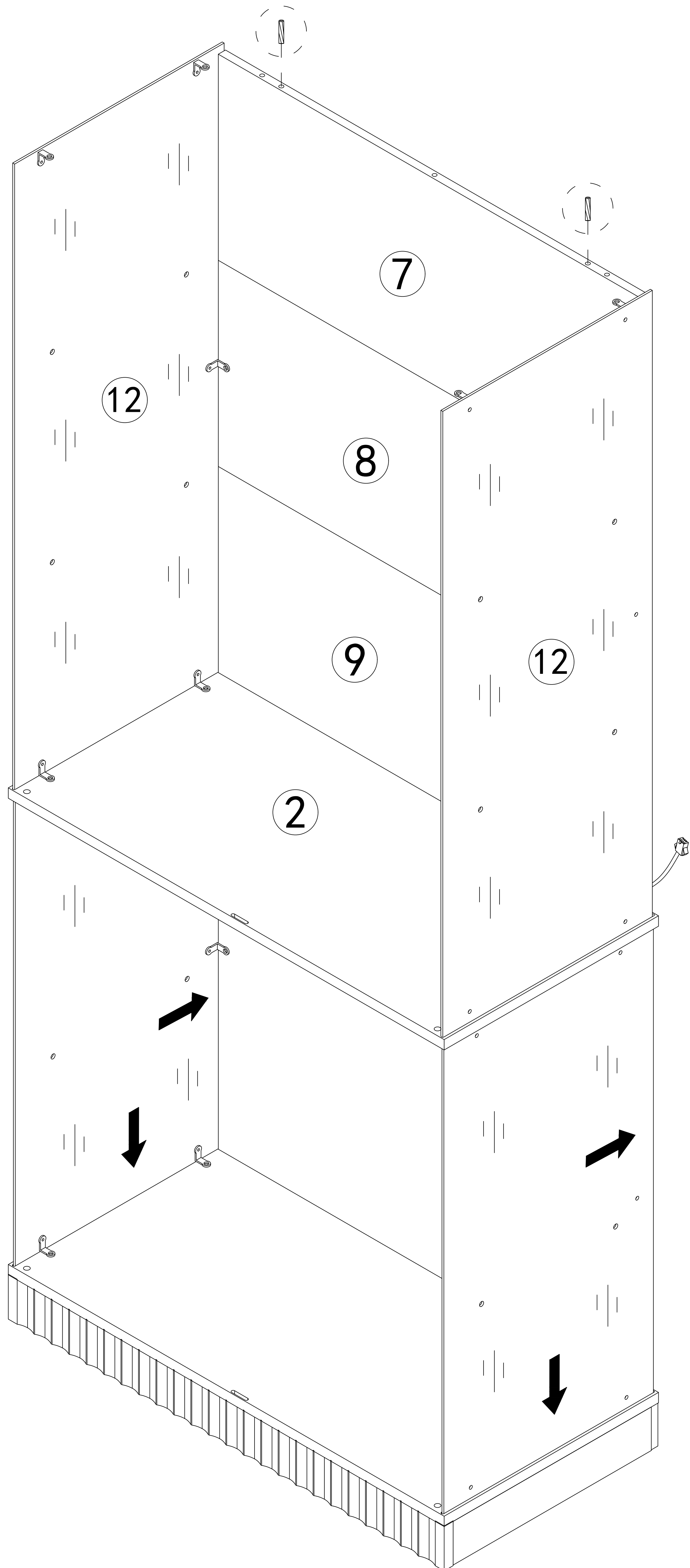
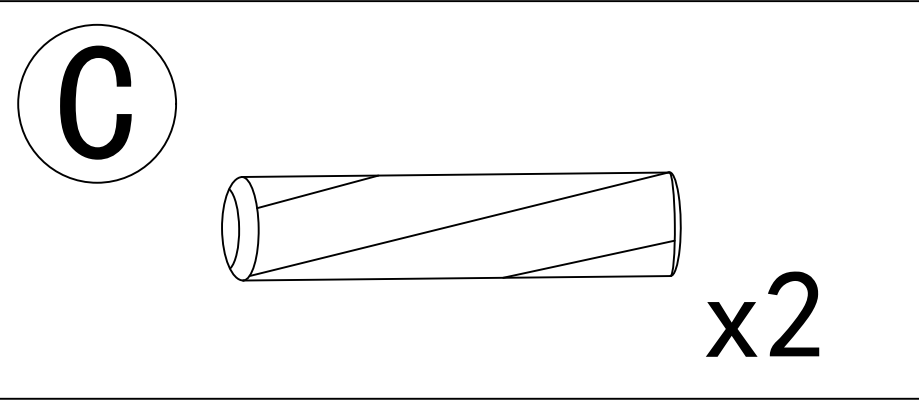
B



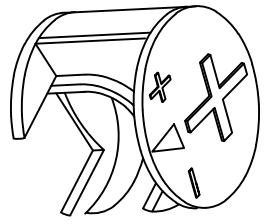
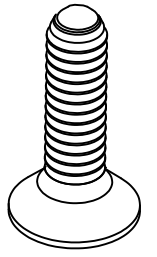
x3

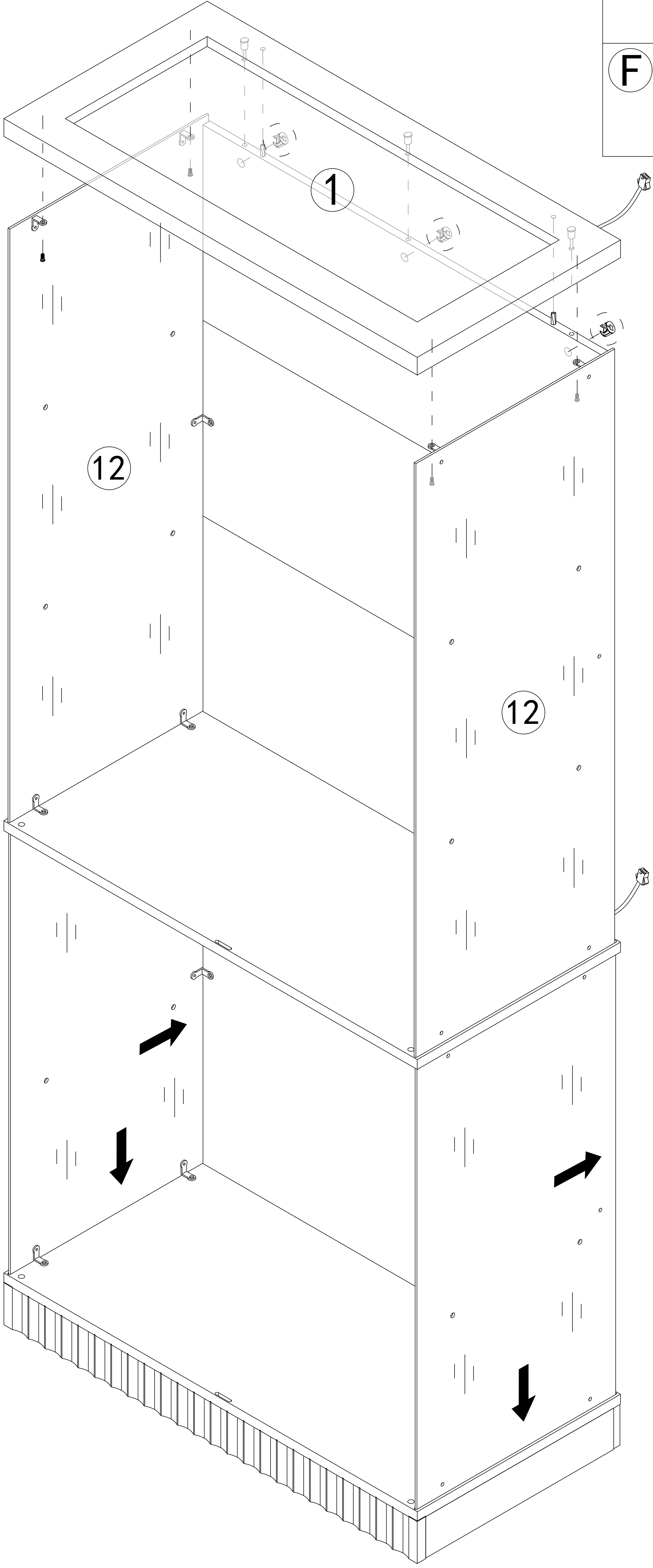


# Step 32

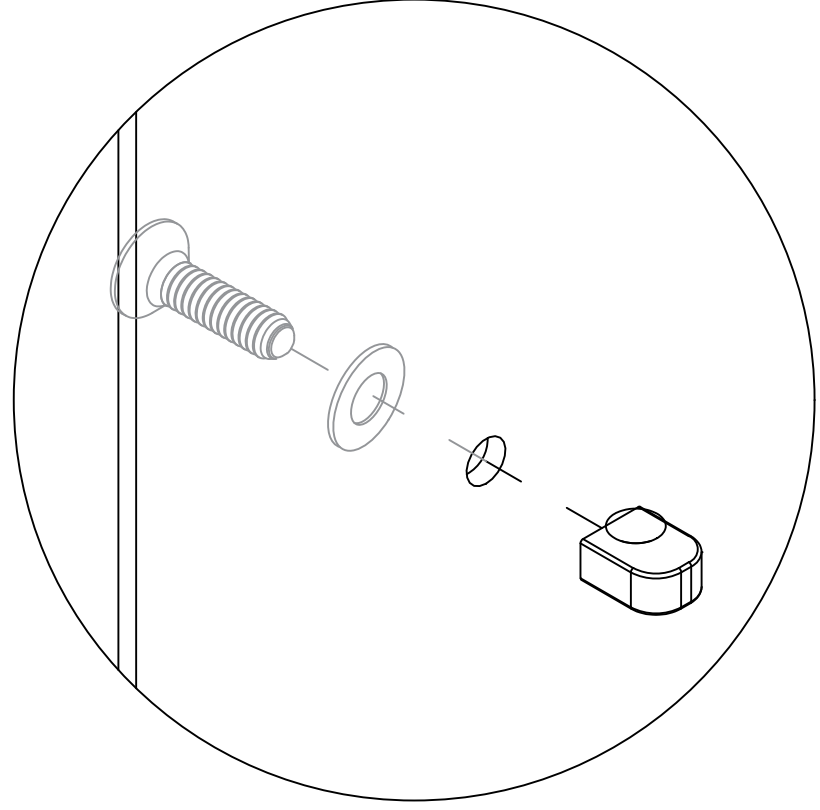
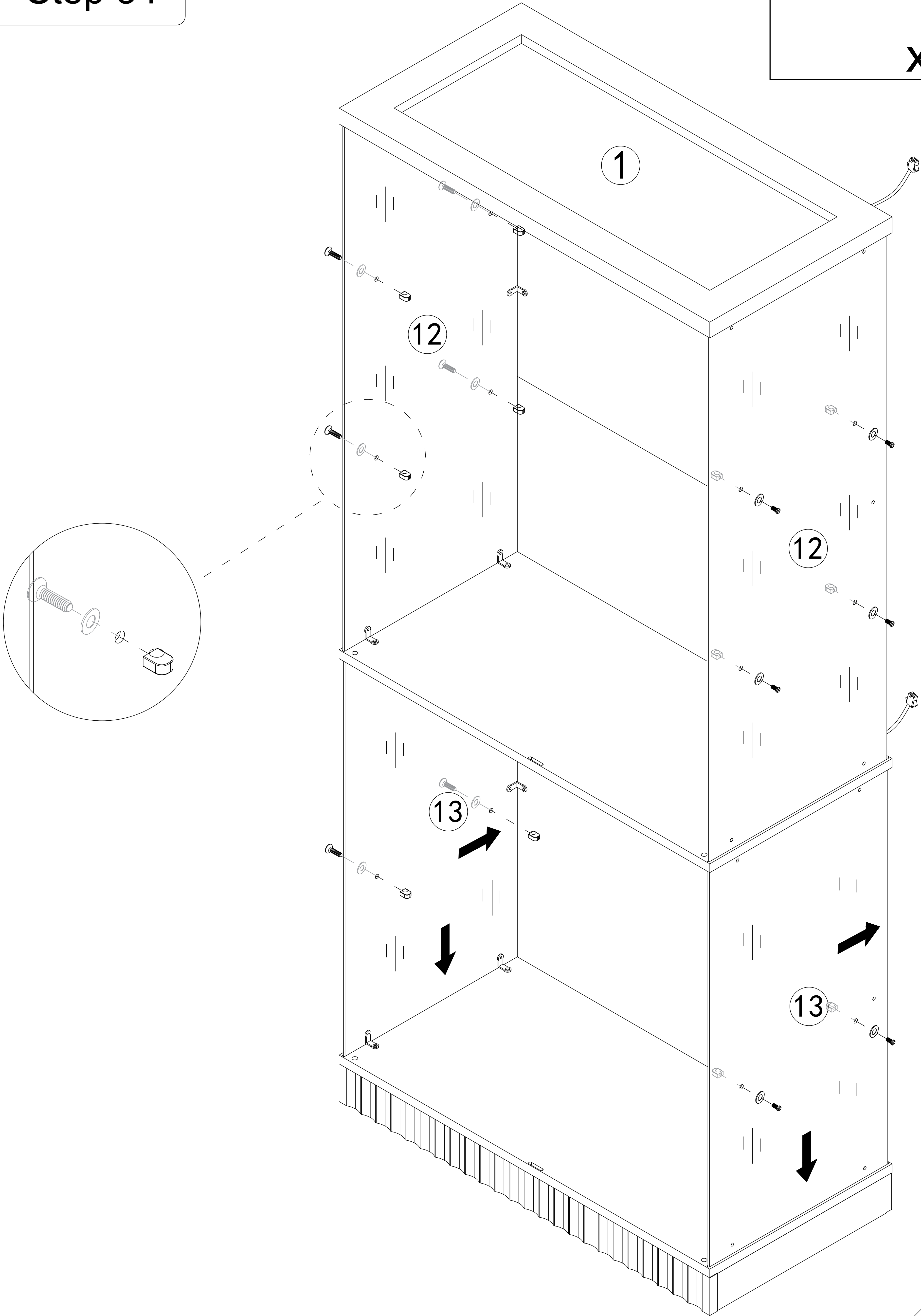
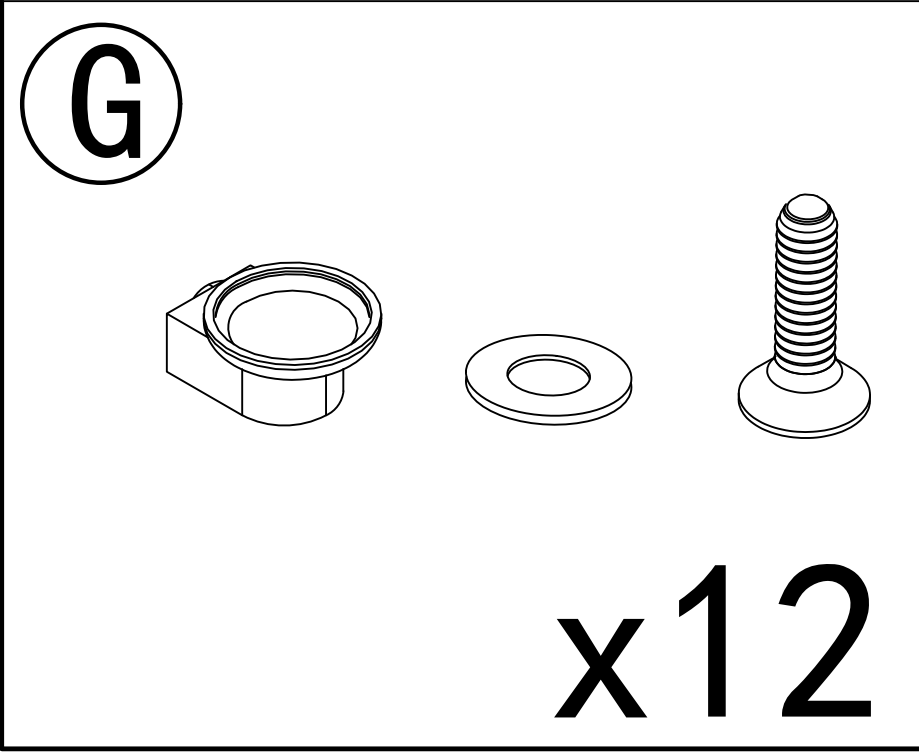


Step 33

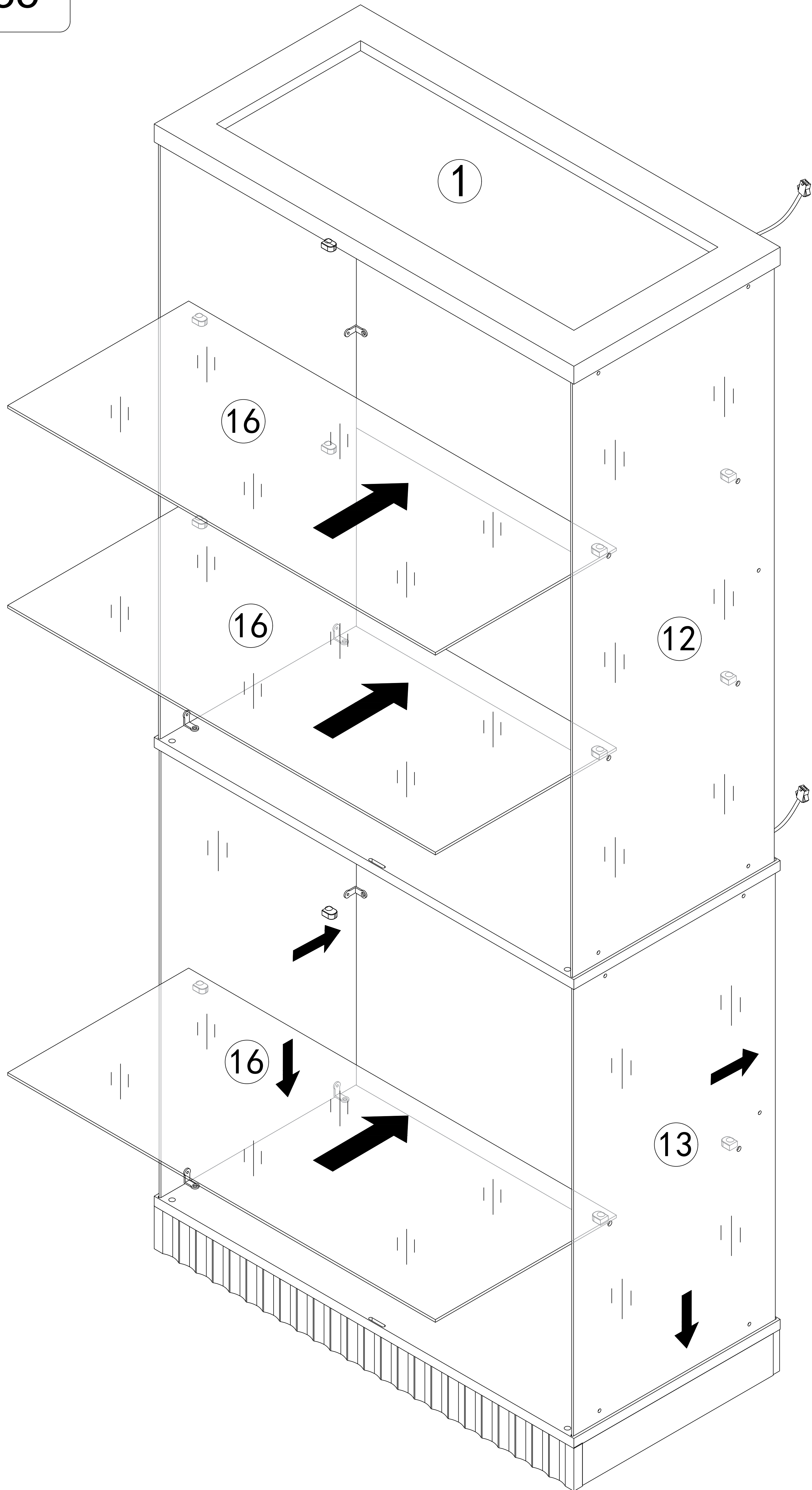
- B**  x3
- F**  x4



Step 34

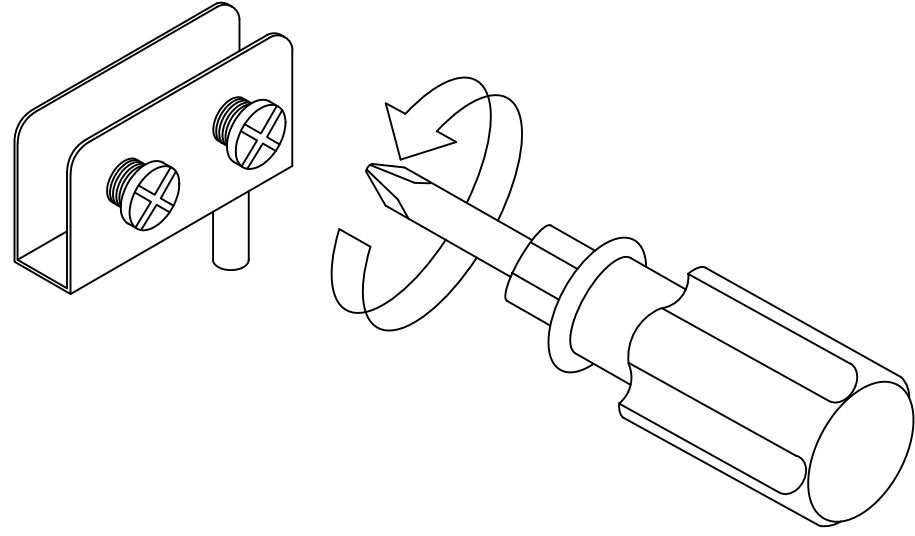


Step 35

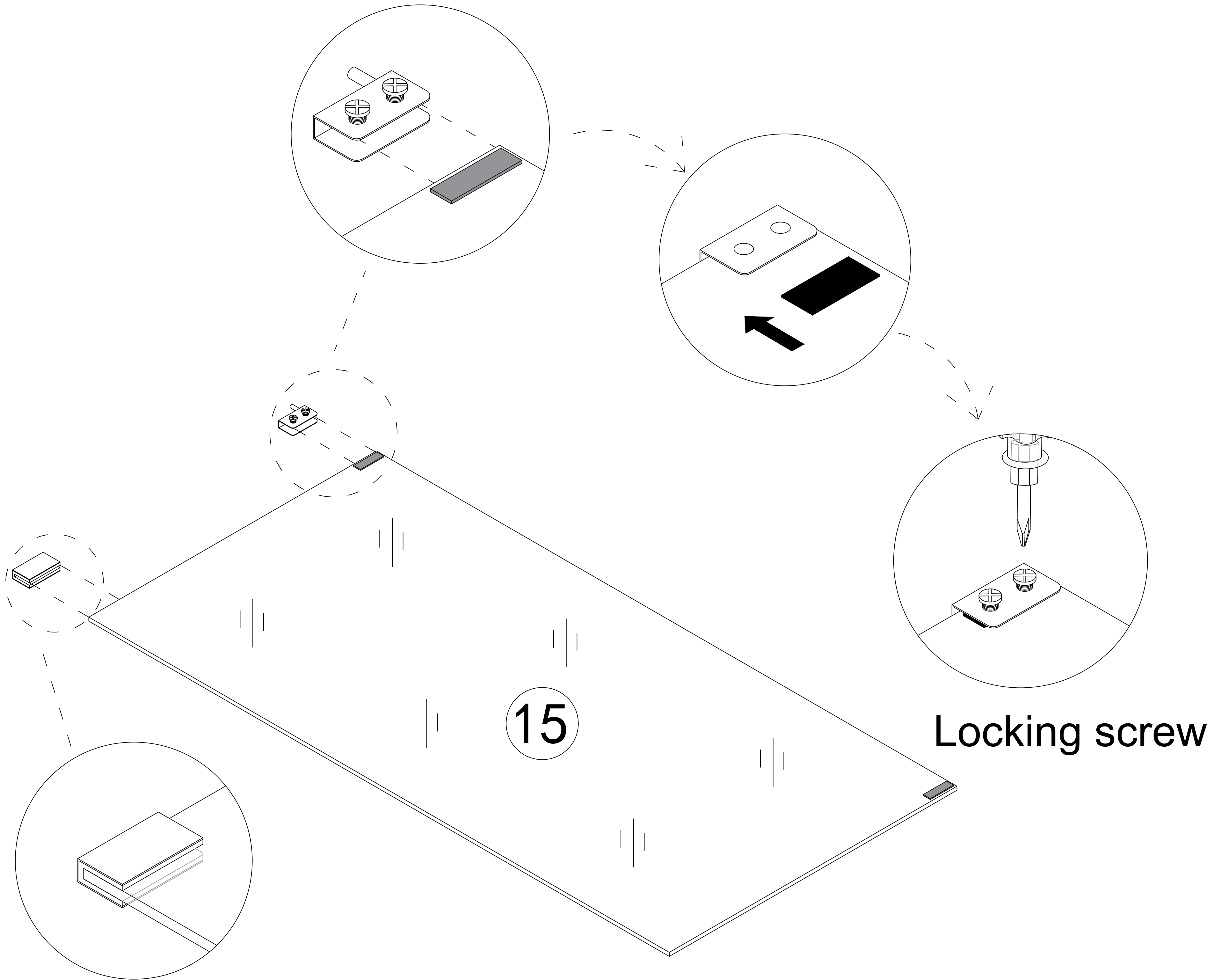
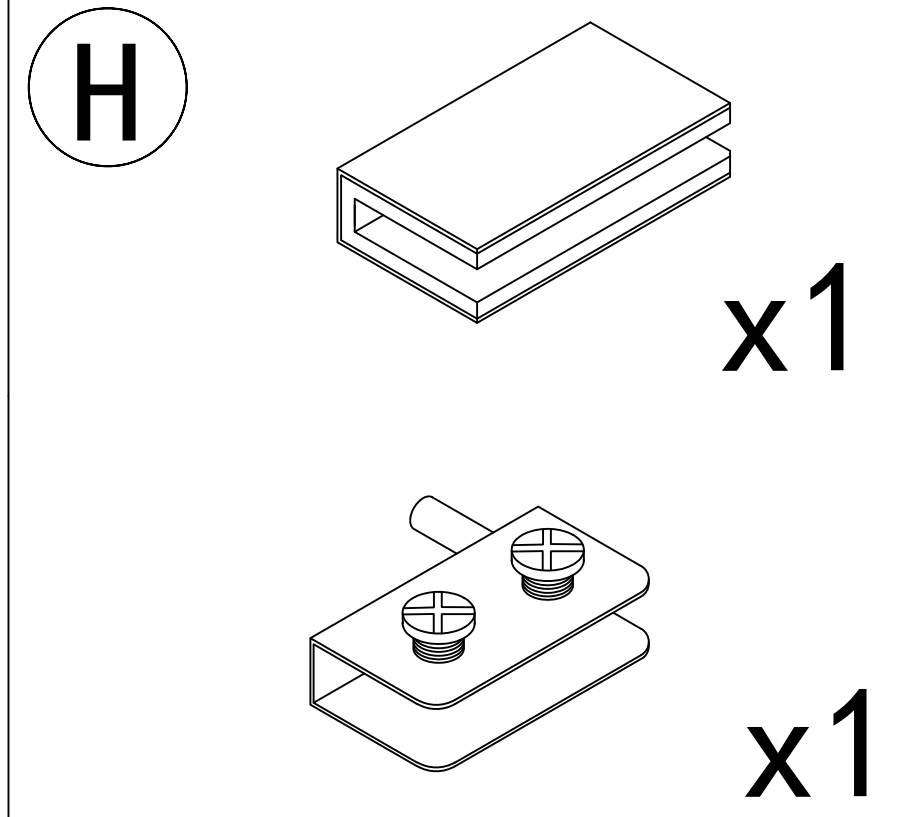
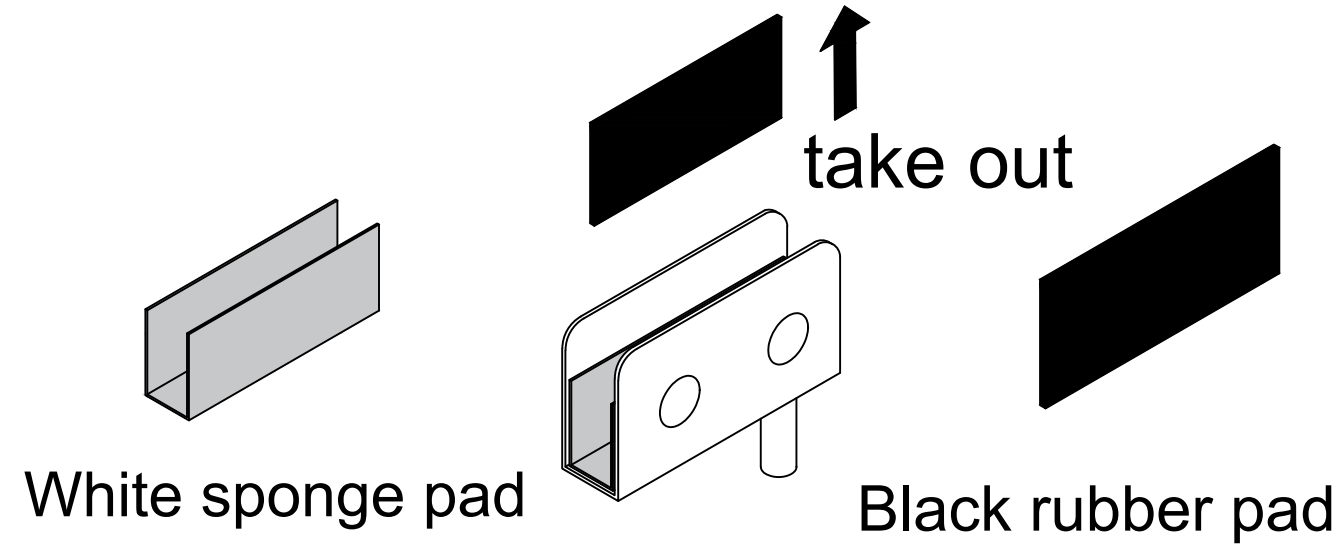


# Step 36

First, completely unscrew the screws on the parts



Then take out the black rubber pad from the inside of the part, and the white sponge remains unchanged inside the part.

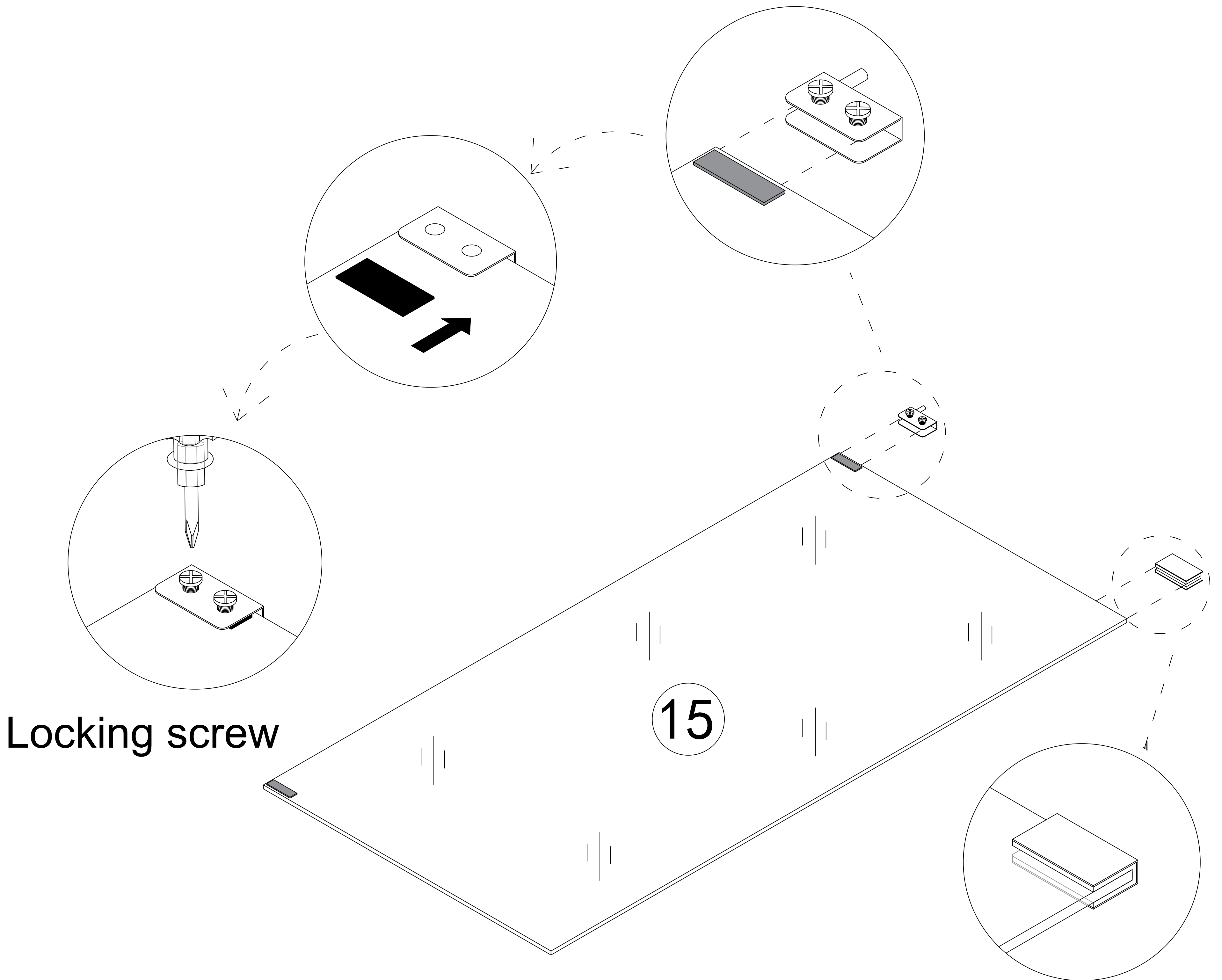
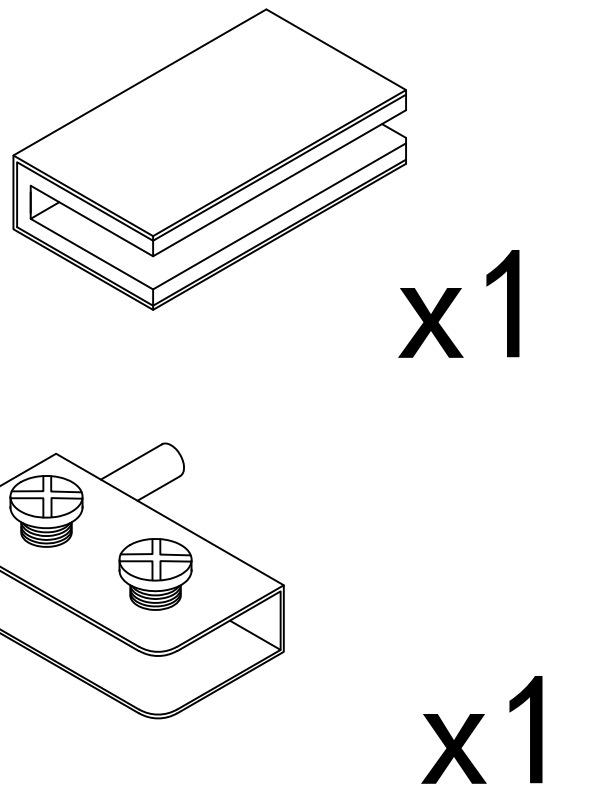


Pay attention to the direction of the door hinge, rotate the screws to compress the black gasket, and do not place it in the opposite direction

Place the black gasket on the side where the screws are installed

# Step 37

H

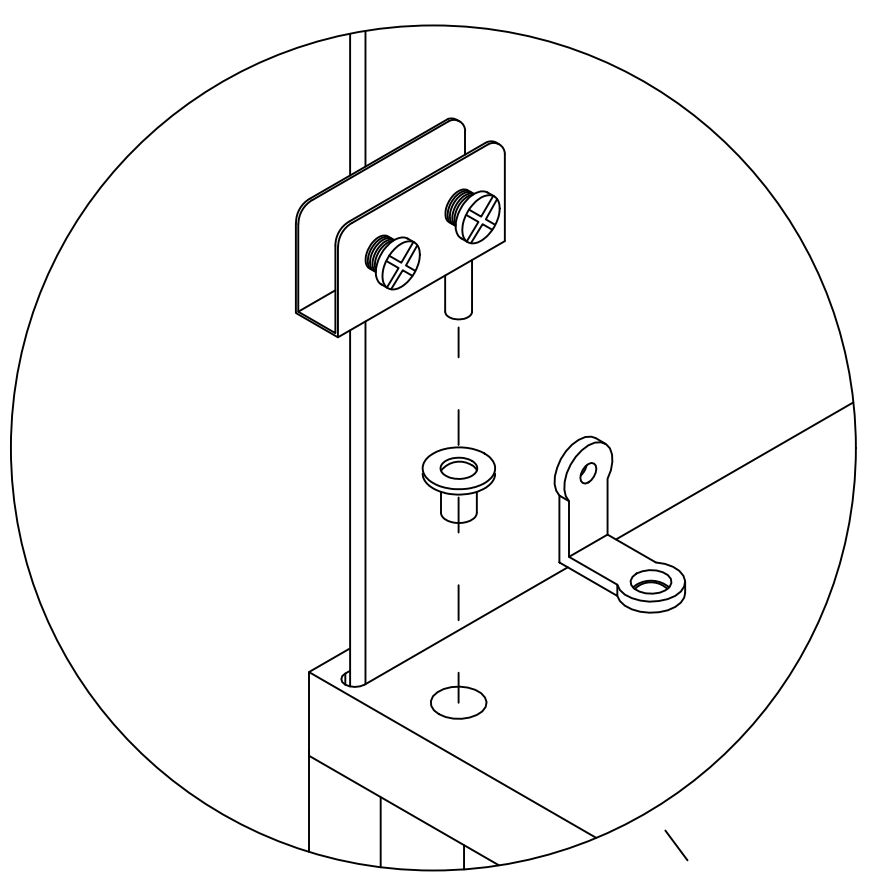
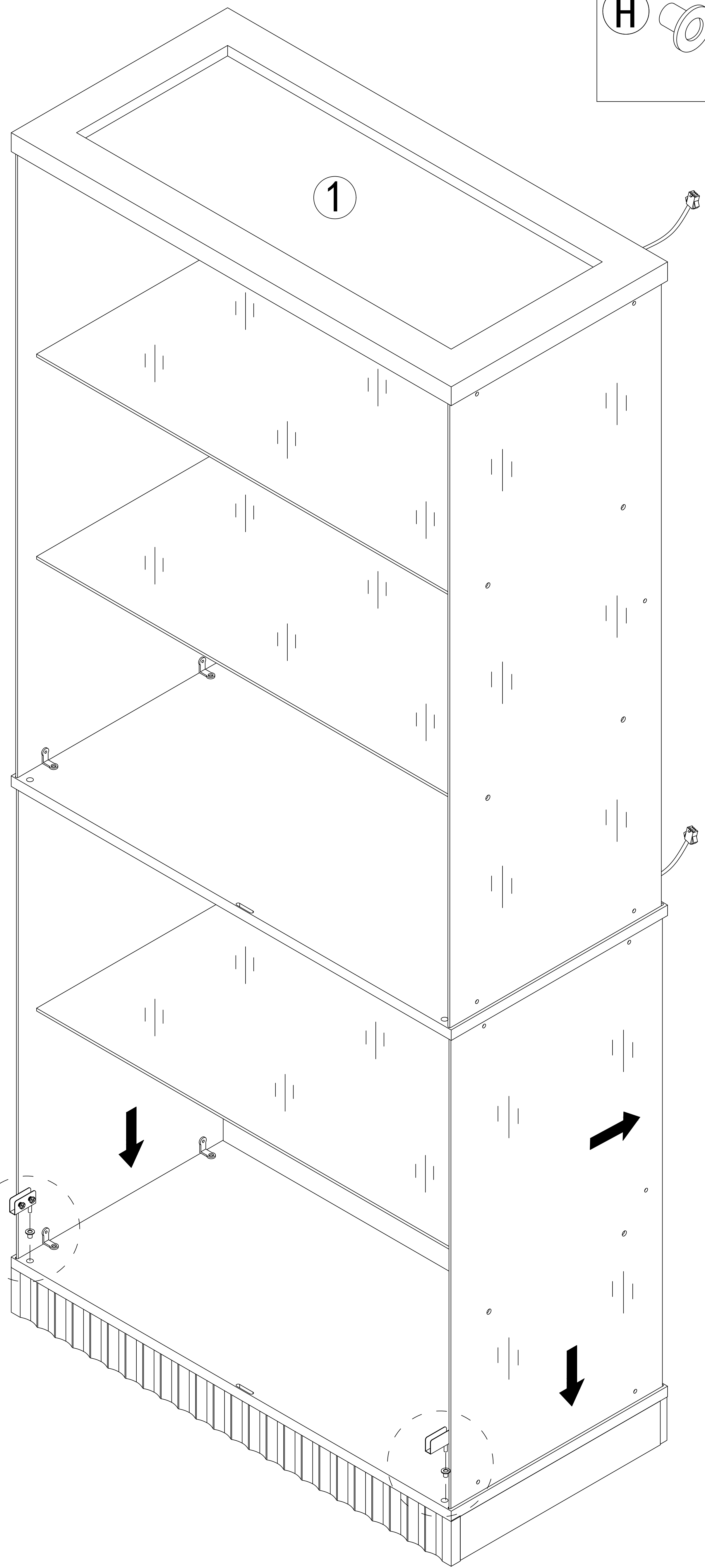
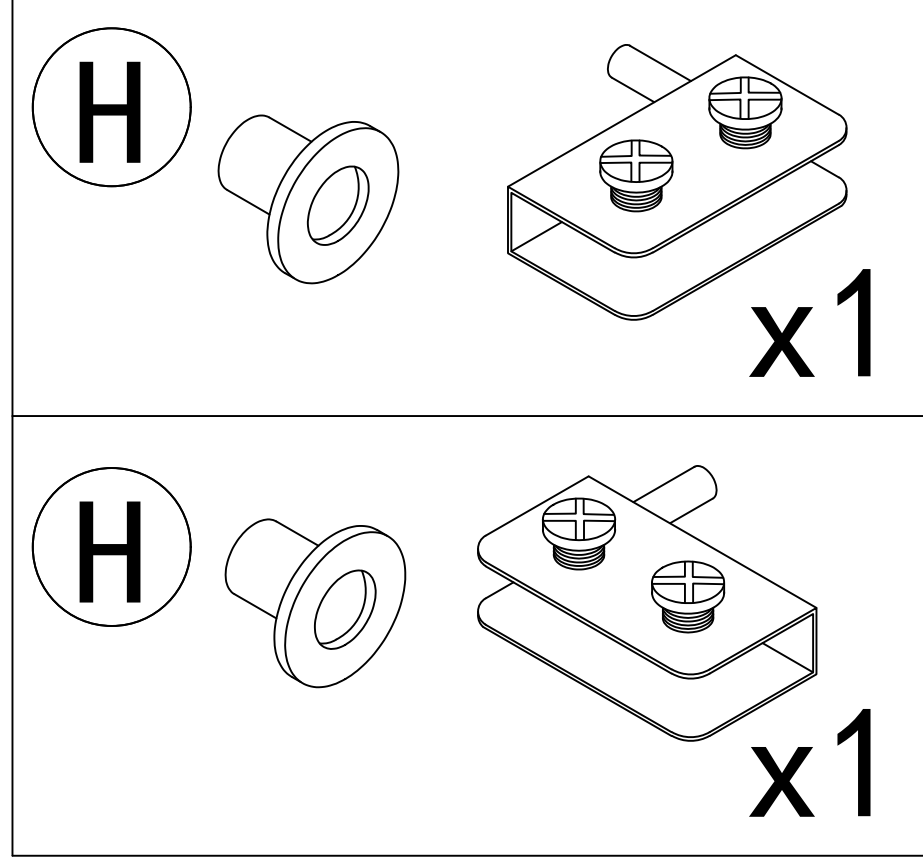


Locking screw

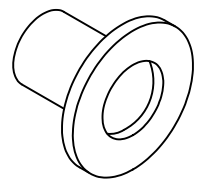
Pay attention to the direction of the door hinge, rotate the screws to compress the black gasket, and do not place it in the opposite direction

Place the black gasket on the side where the screws are installed

Step 38



H

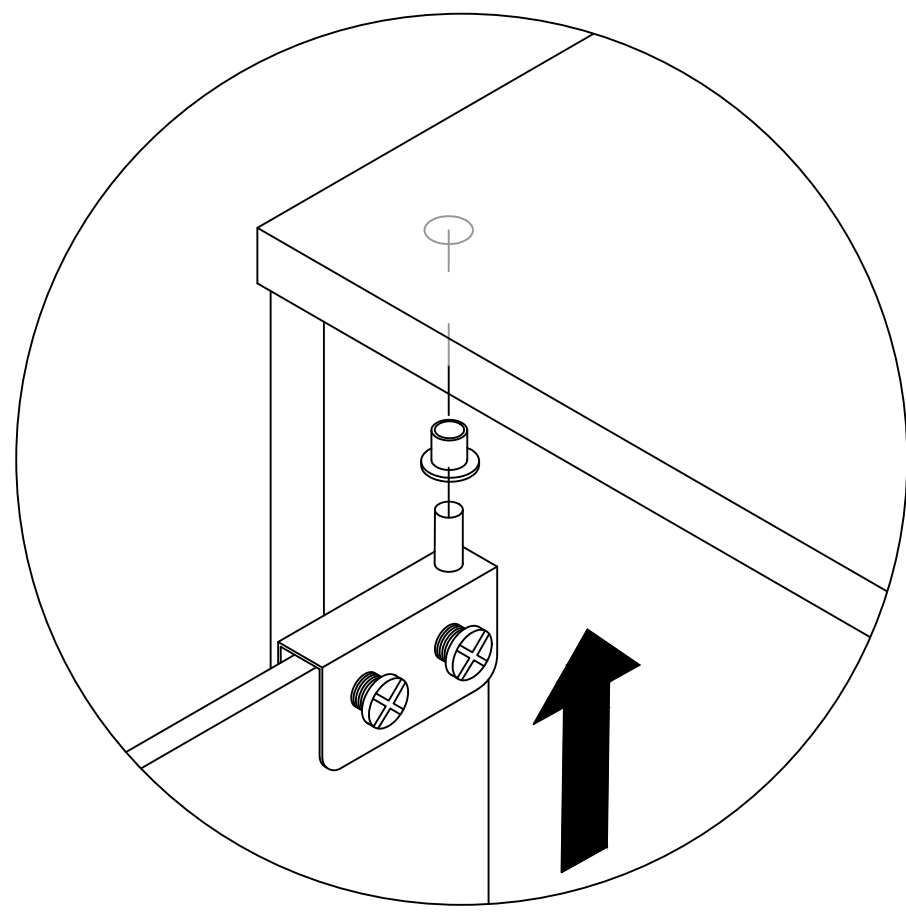


x2

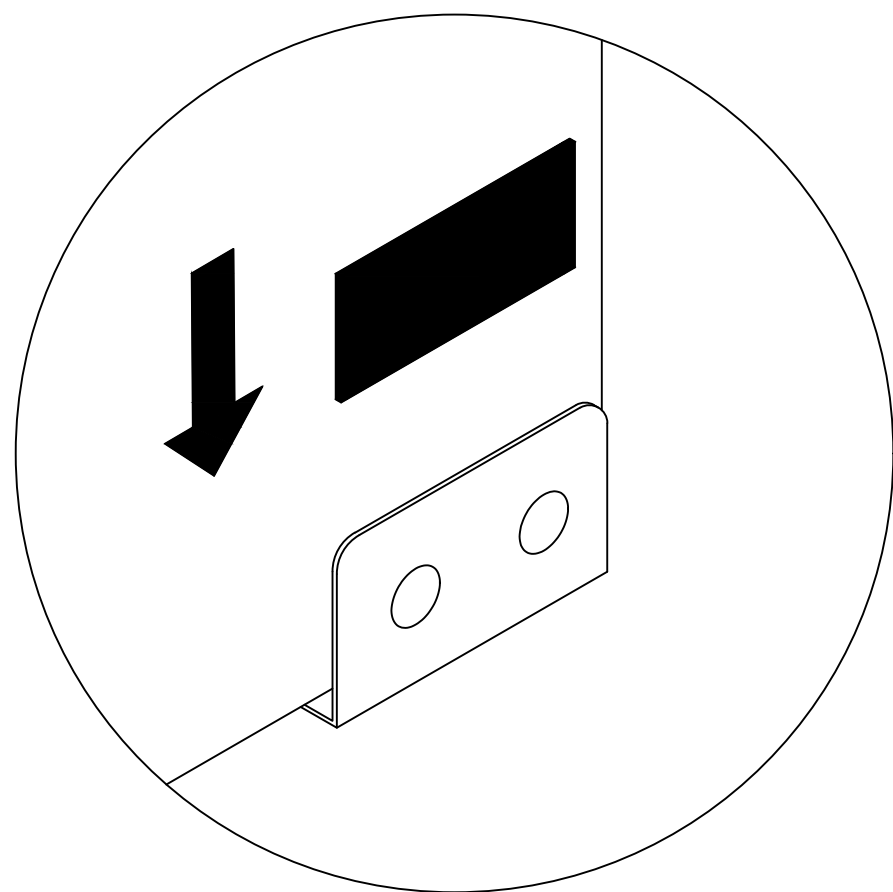
# Step 39

Pay attention to the direction of the door hinge during installation

When installing a glass door, it is recommended to have two people install it to avoid the glass door colliding or hitting oneself.

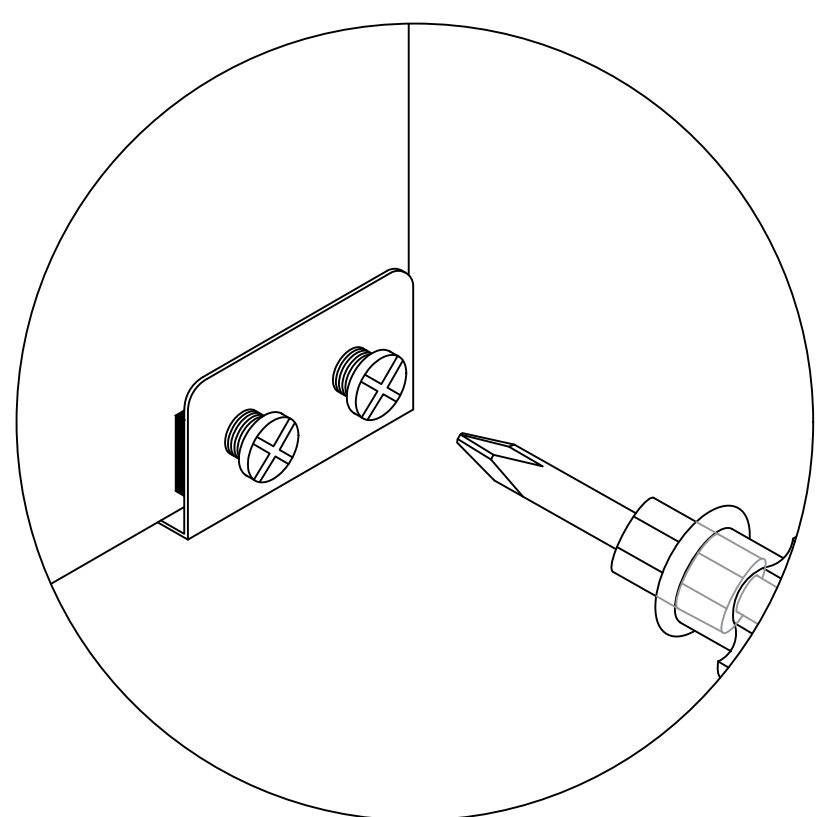


first



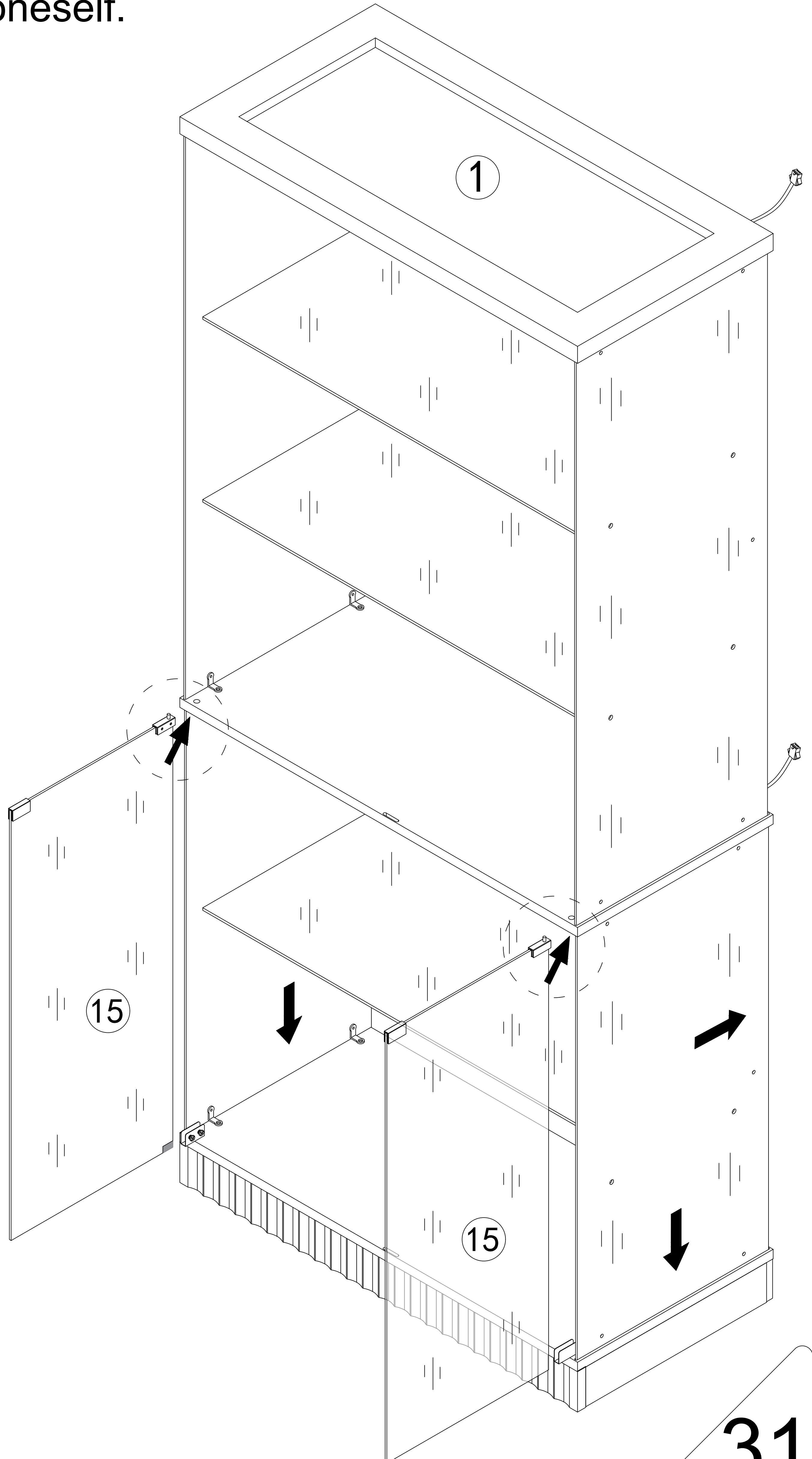
second

After installing the glass door, place the black gasket on the side where the screws are installed

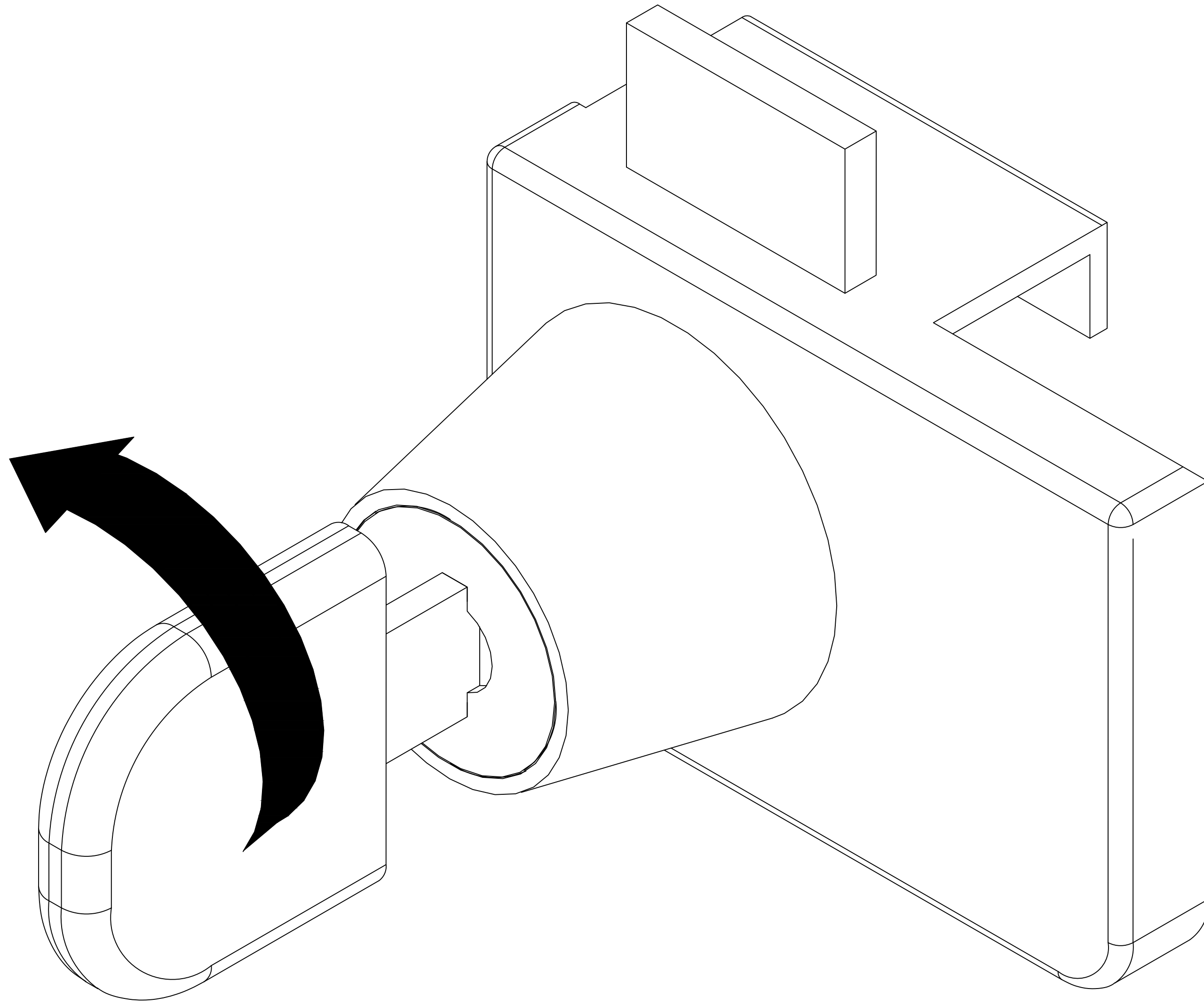


third

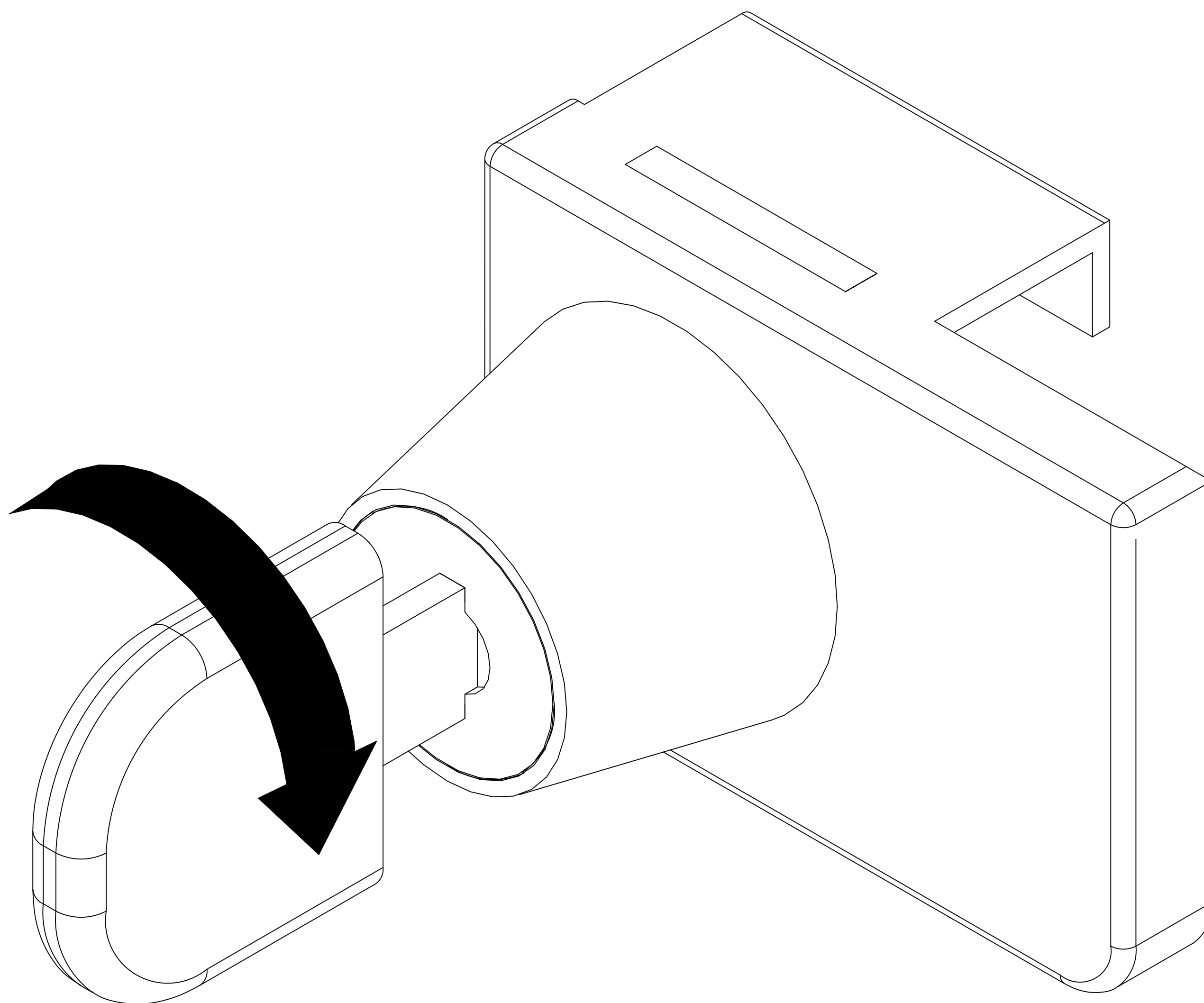
Locking screw



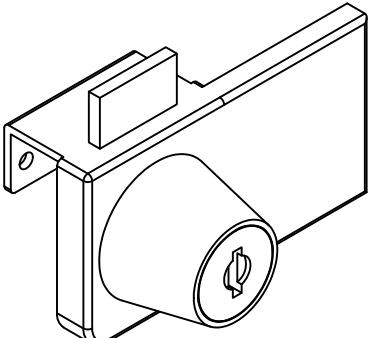
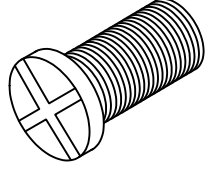
**Tip: Turning the door lock to the right will close it**

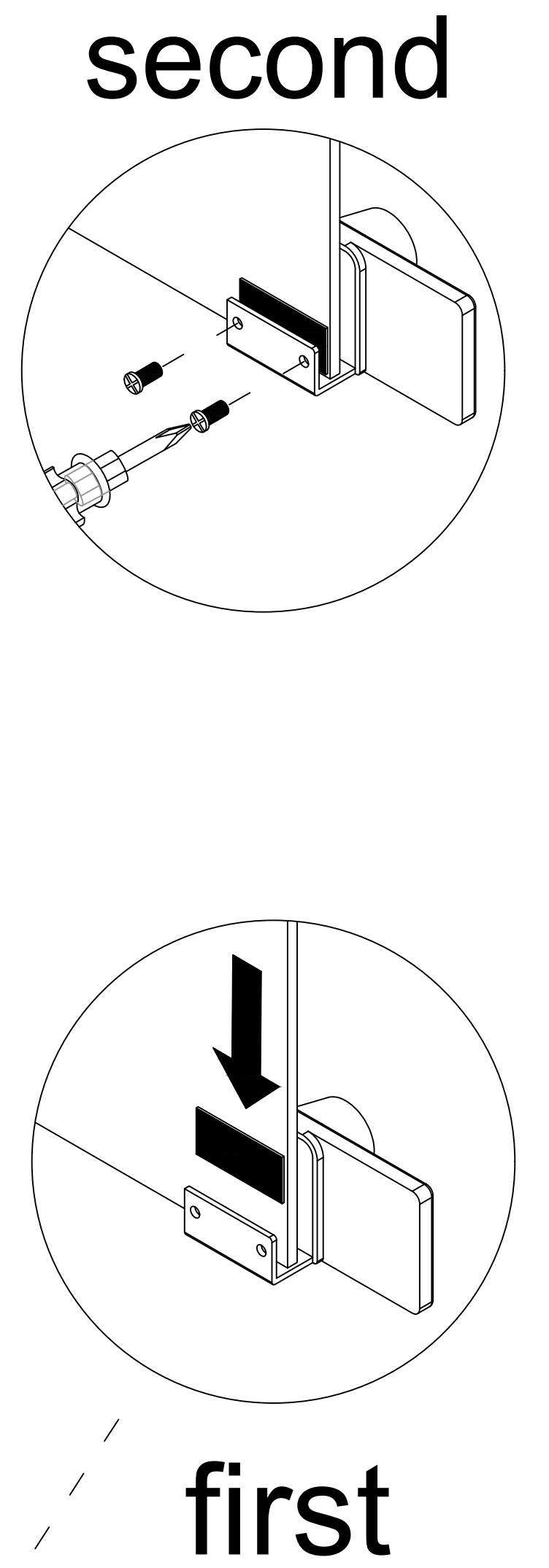
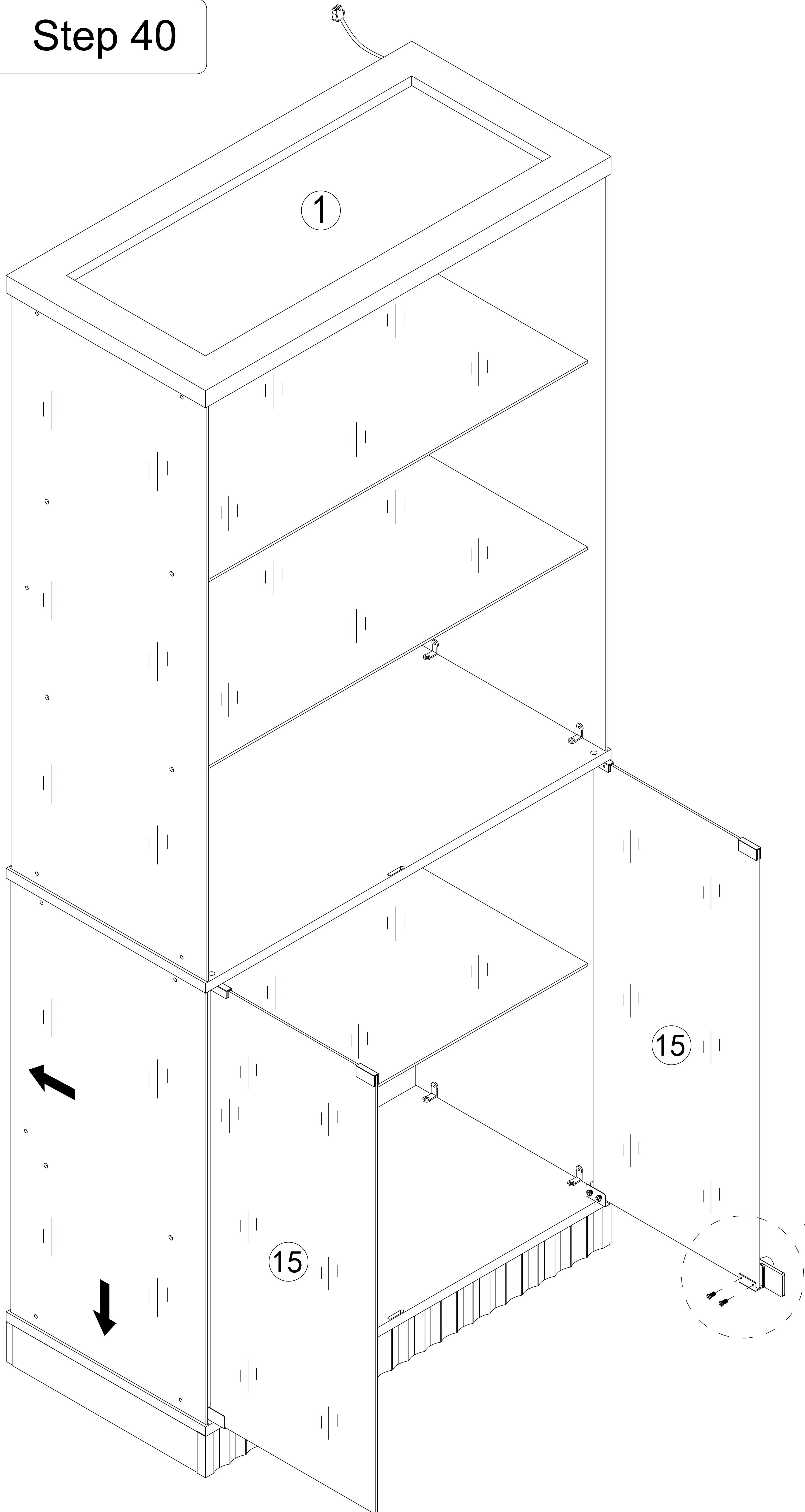


**Tip: Turning the door lock to the left opens it**

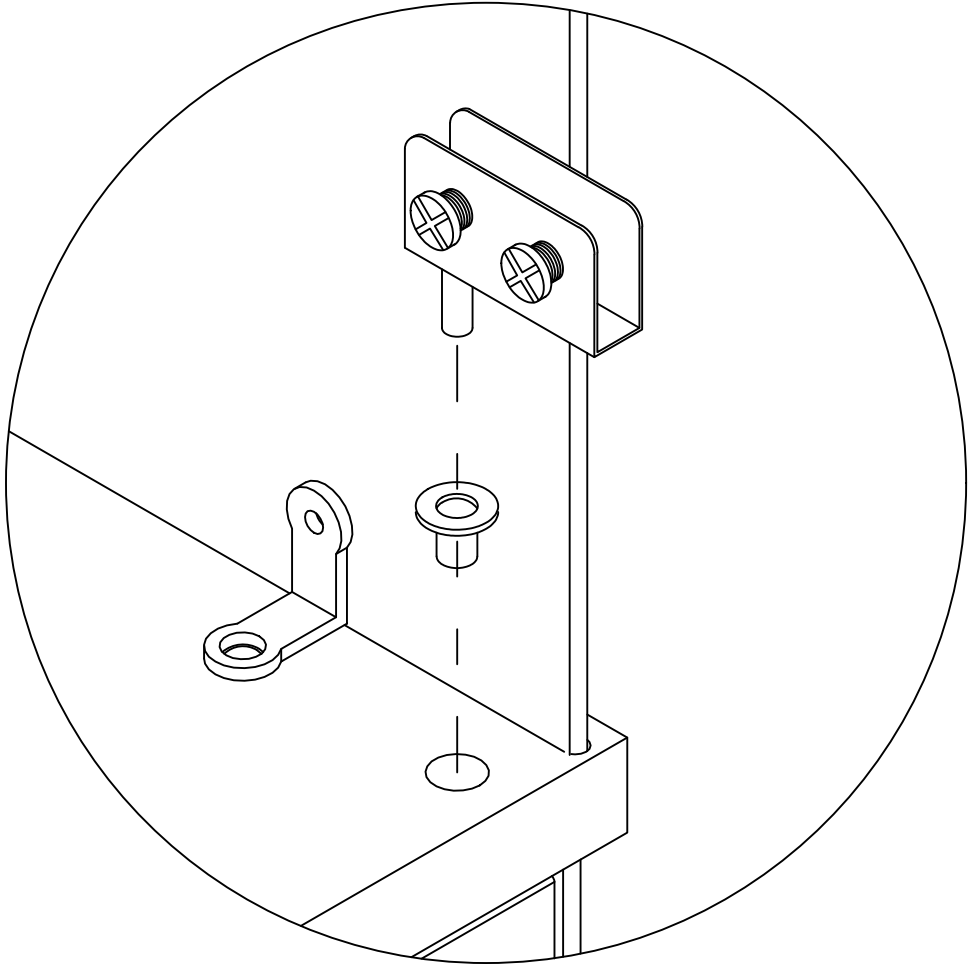
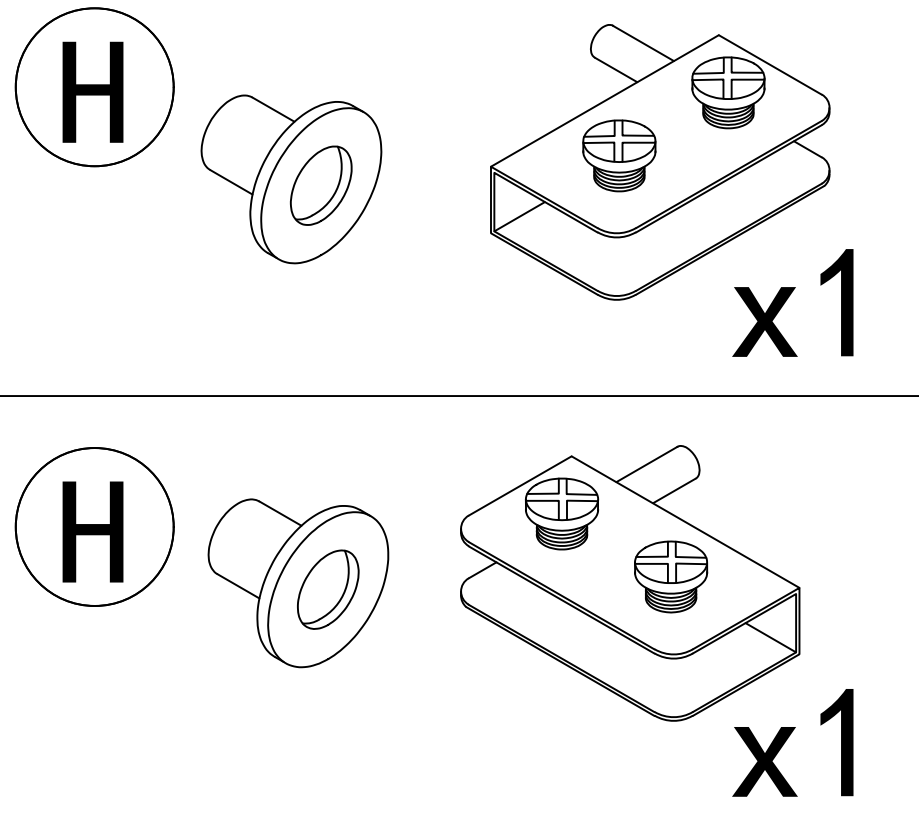
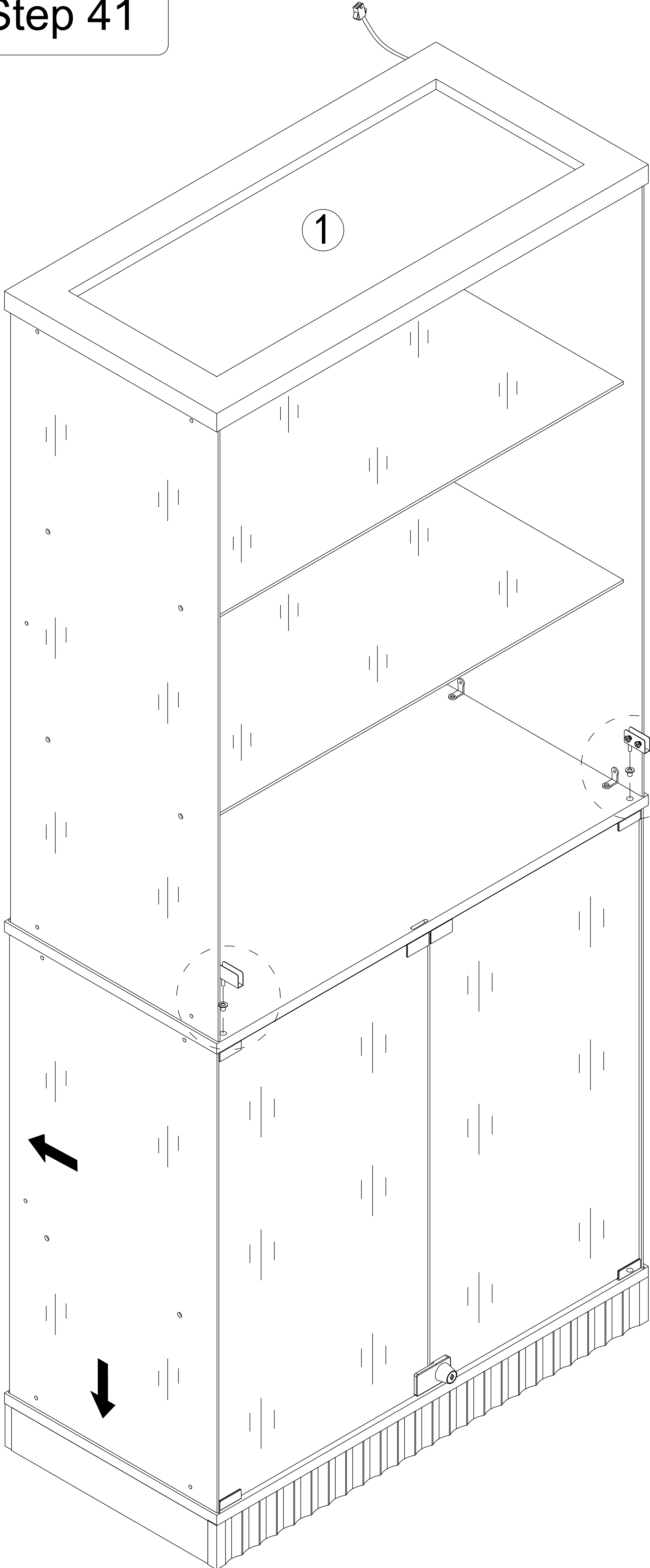


Step 40

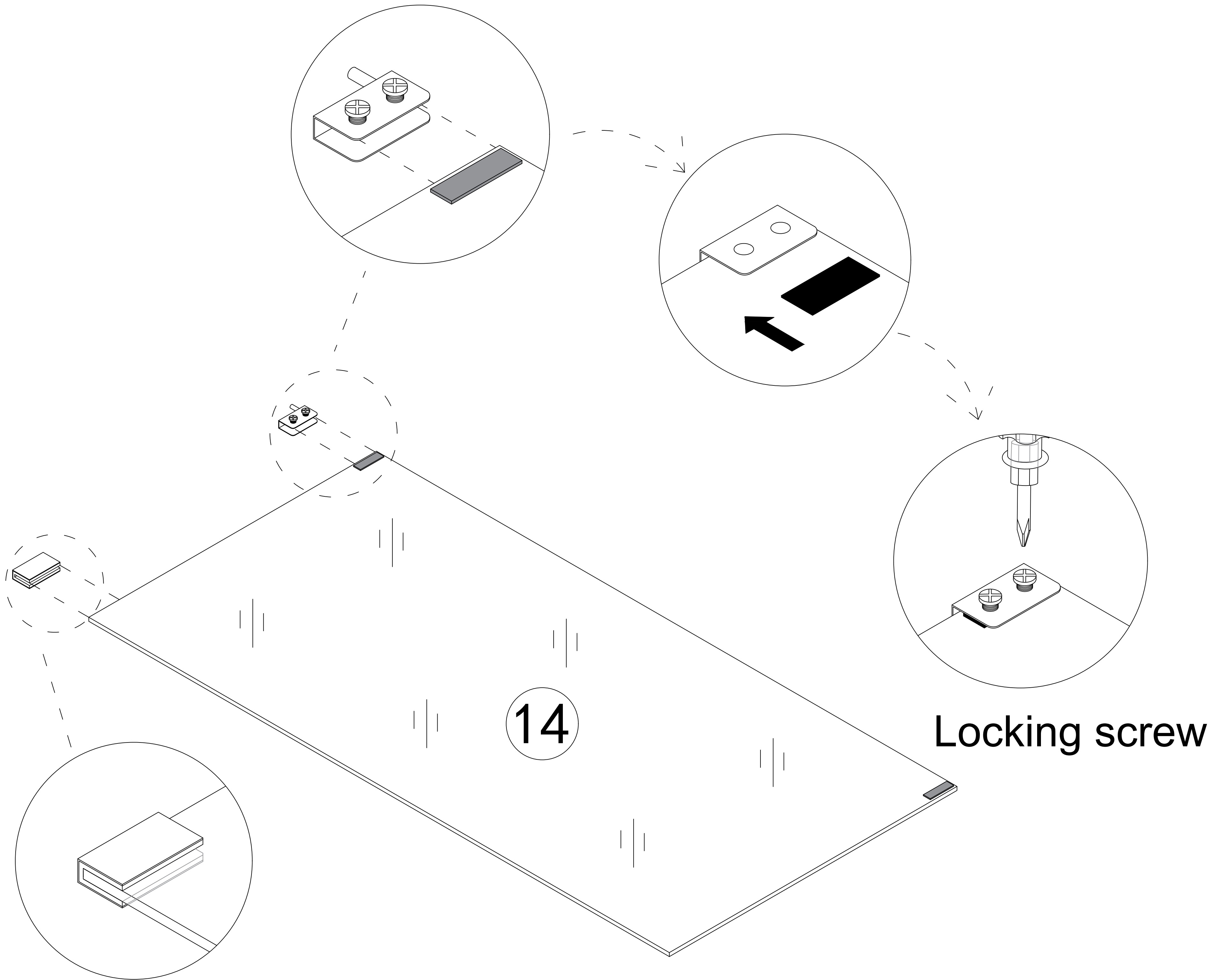
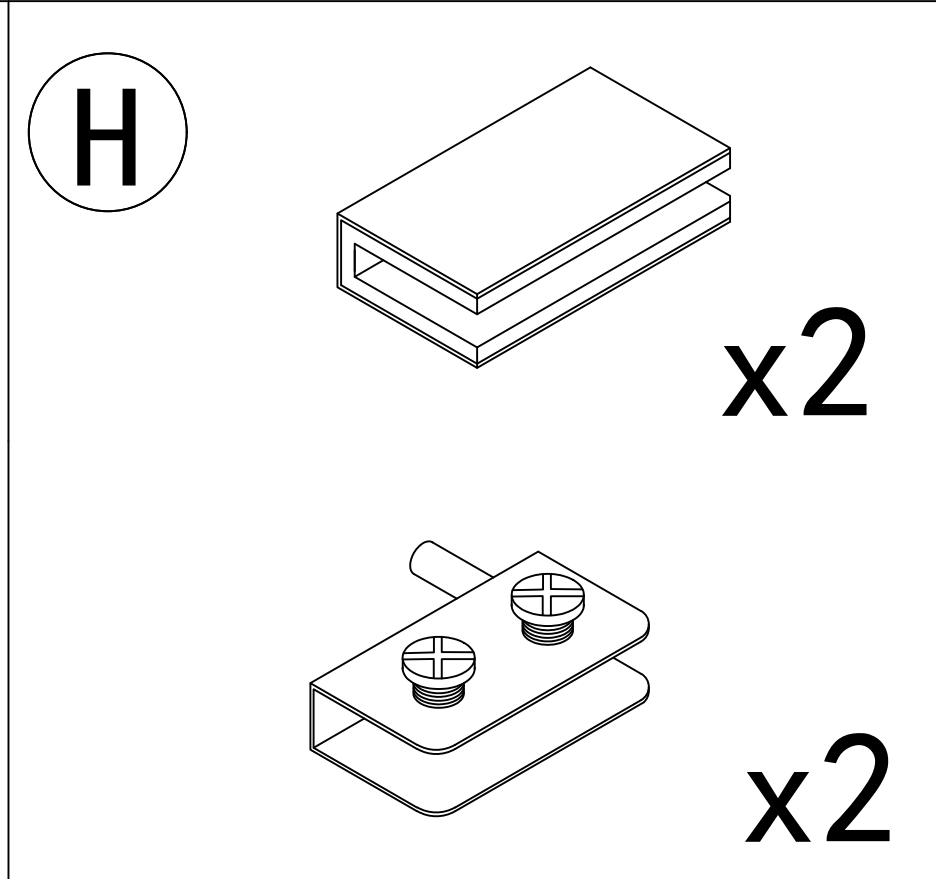
- J  x1
-  x2



Step 41



Step 42

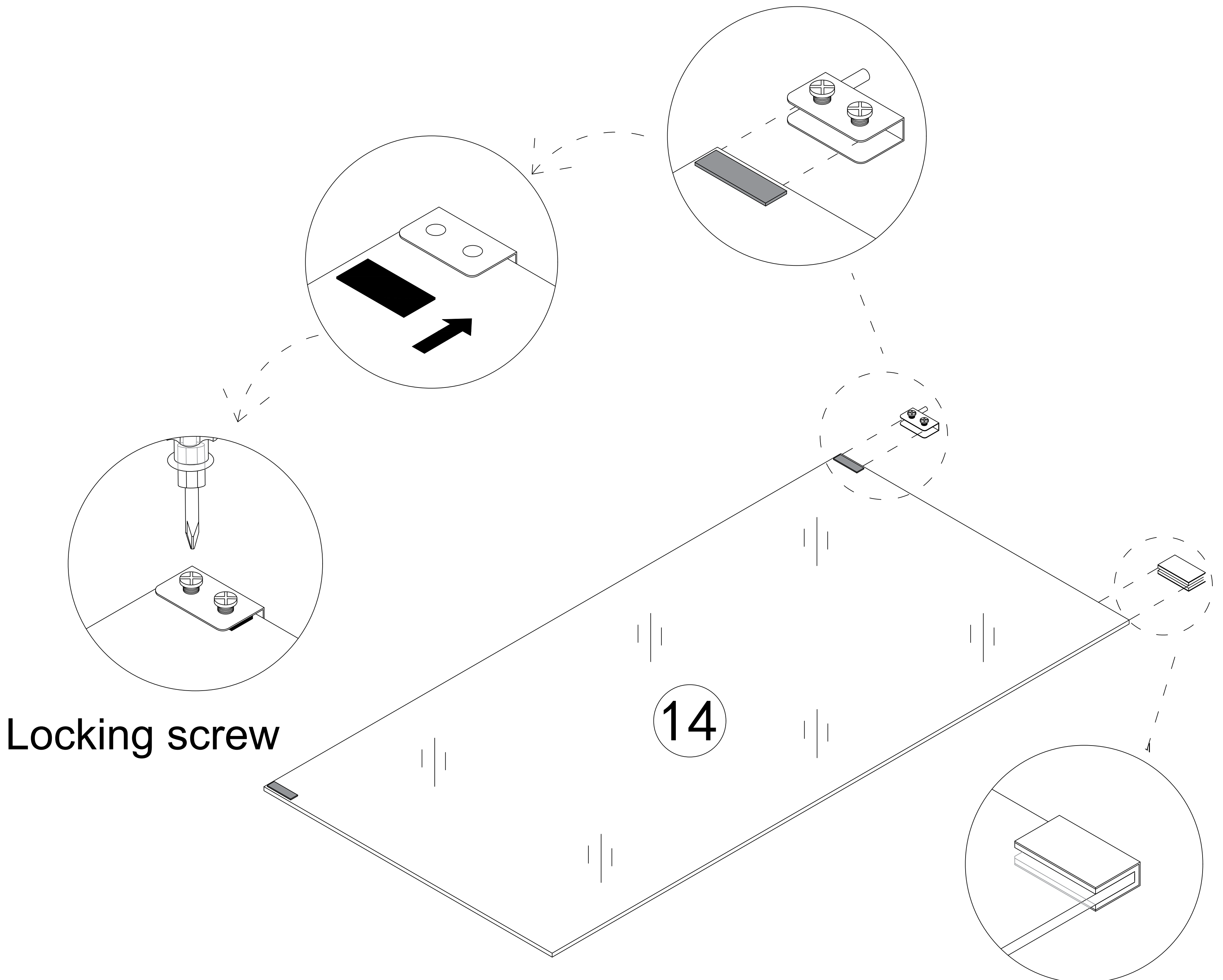
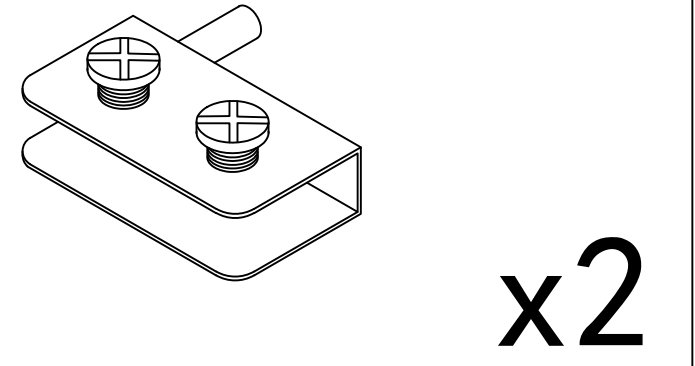
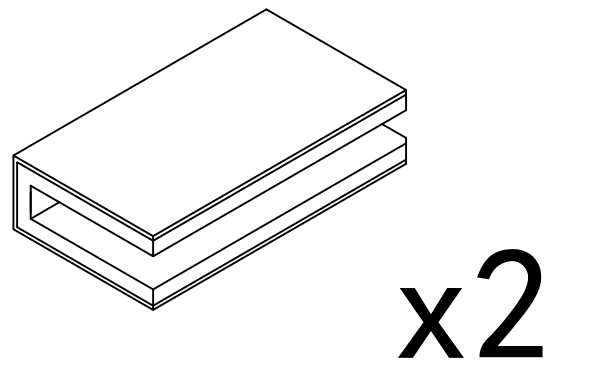


Pay attention to the direction of the door hinge, rotate the screws to compress the black gasket, and do not place it in the opposite direction

Place the black gasket on the side where the screws are installed

## Step 43

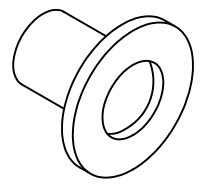
H



Pay attention to the direction of the door hinge, rotate the screws to compress the black gasket, and do not place it in the opposite direction

Place the black gasket on the side where the screws are installed

H

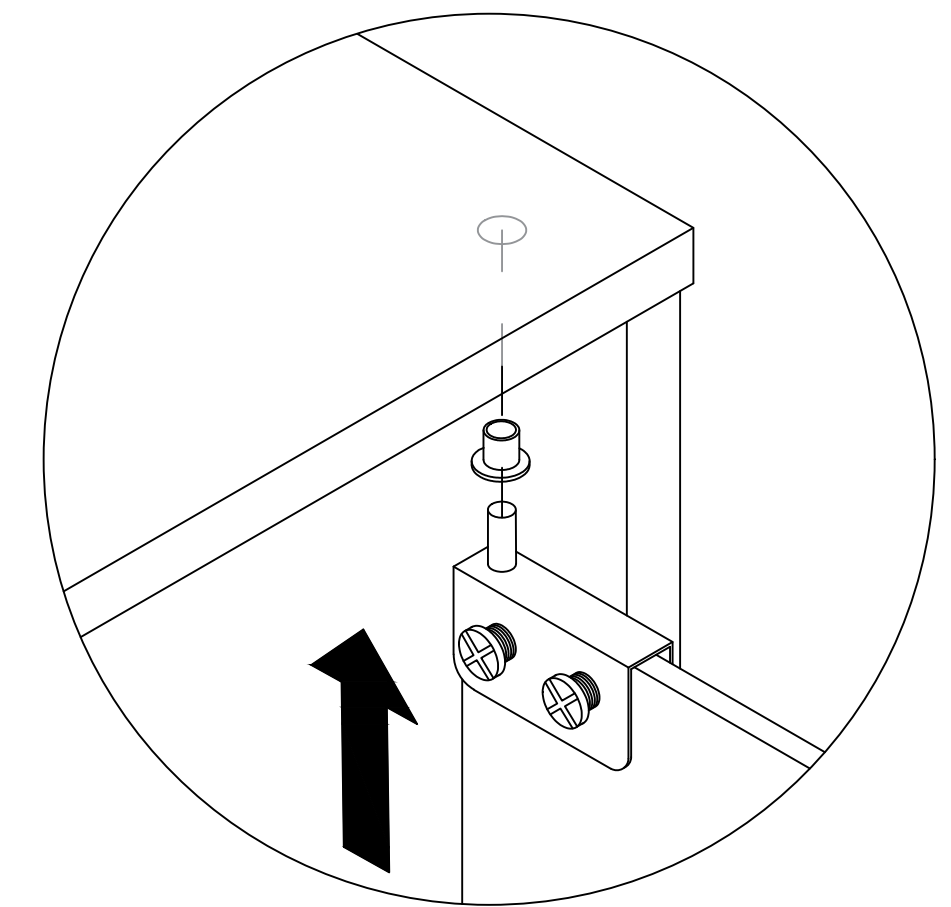
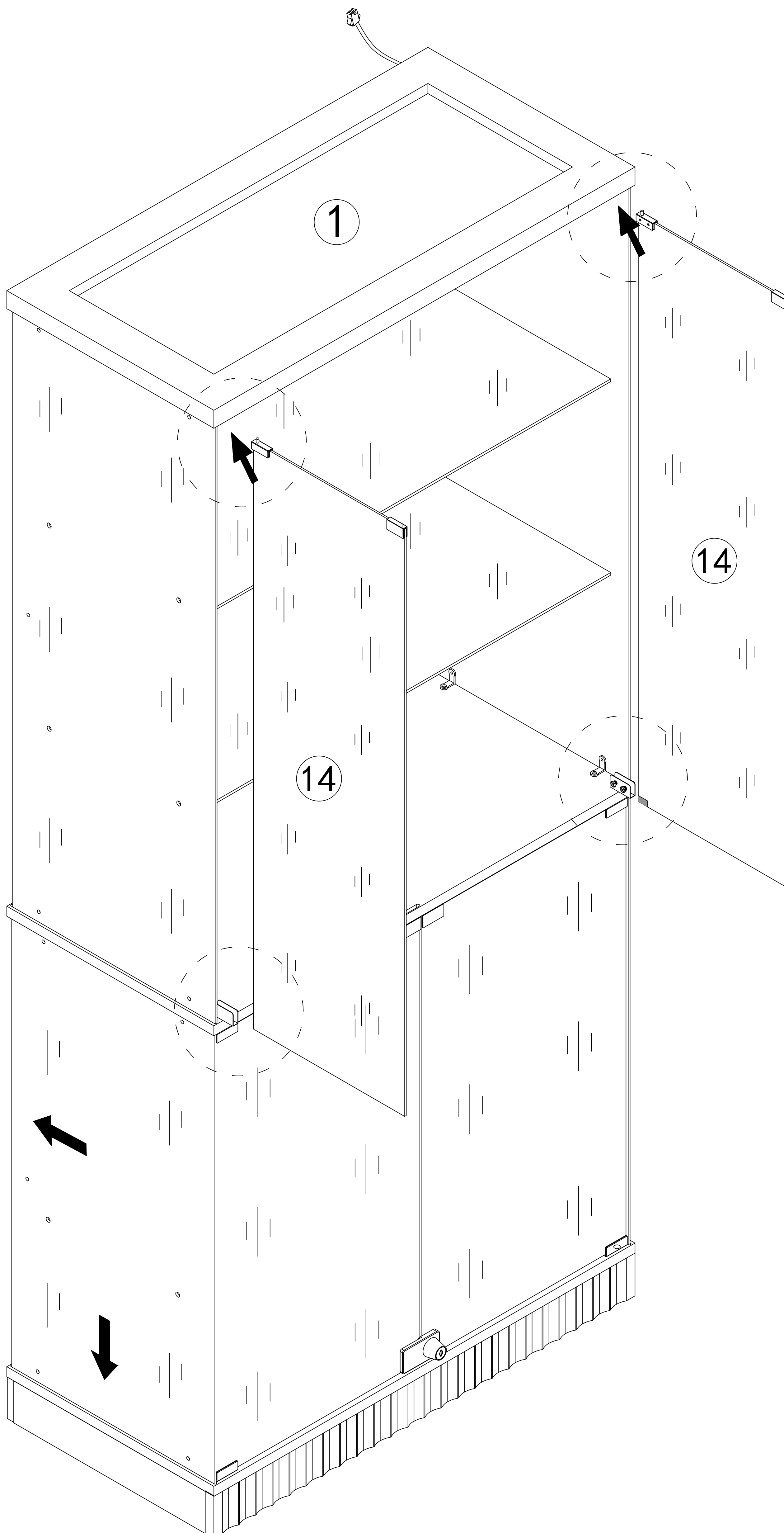


x2

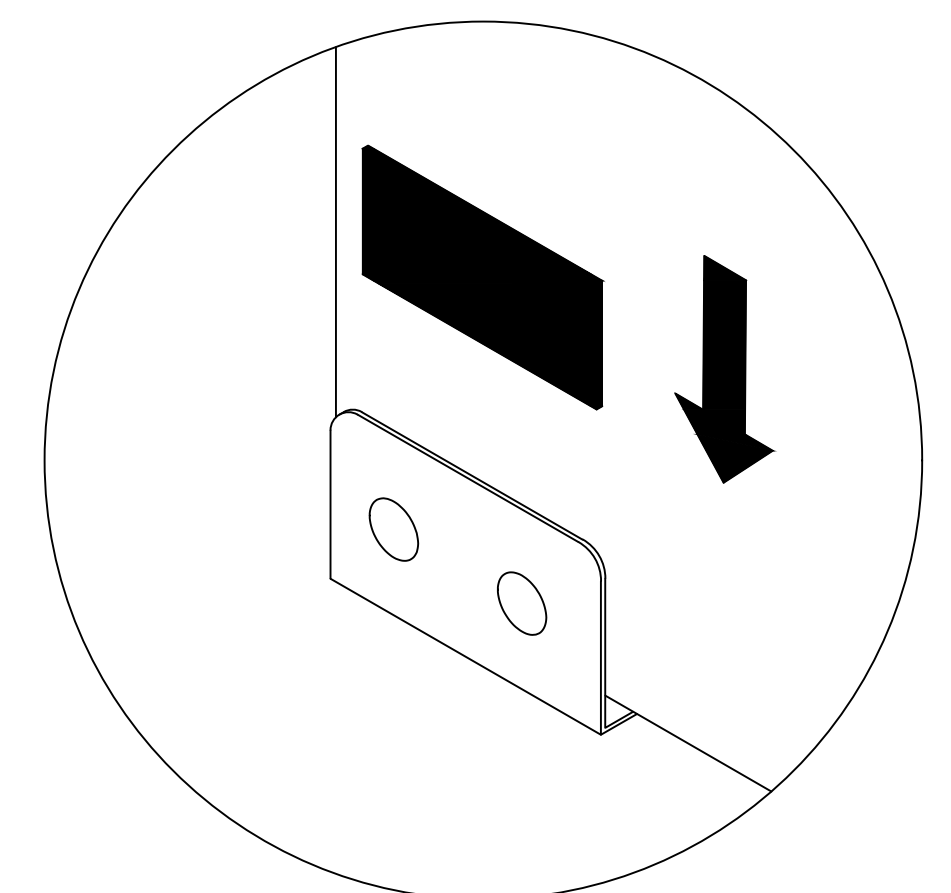
## Step 44

Pay attention to the direction of the door hinge during installation

When installing a glass door, it is recommended to have two people install it to avoid the glass door colliding or hitting oneself.

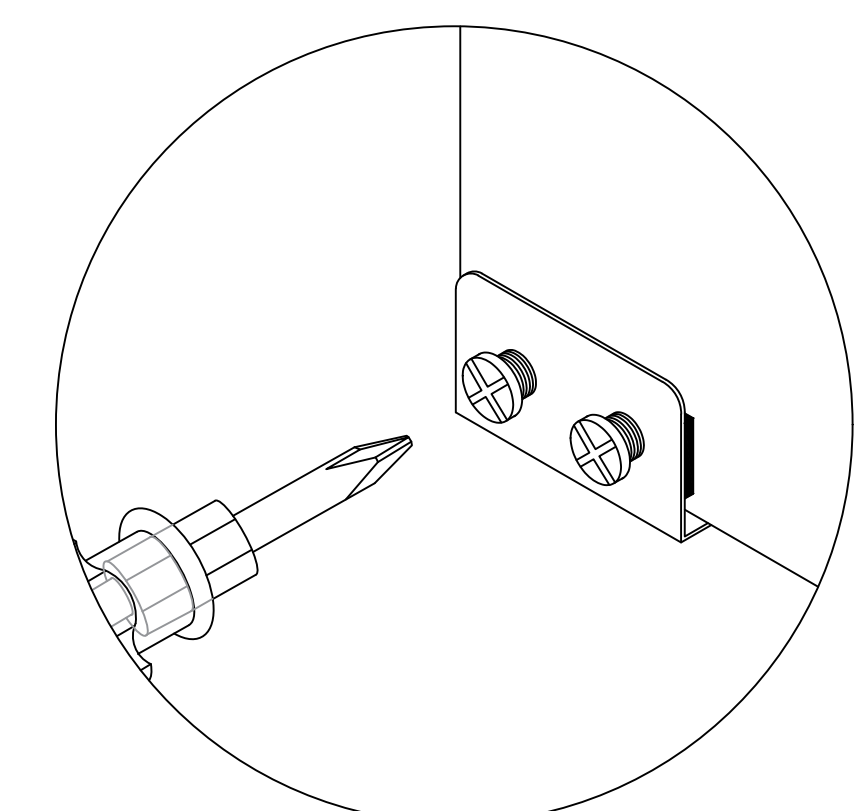


first



second

After installing the glass door, place the black gasket on the side where the screws are installed

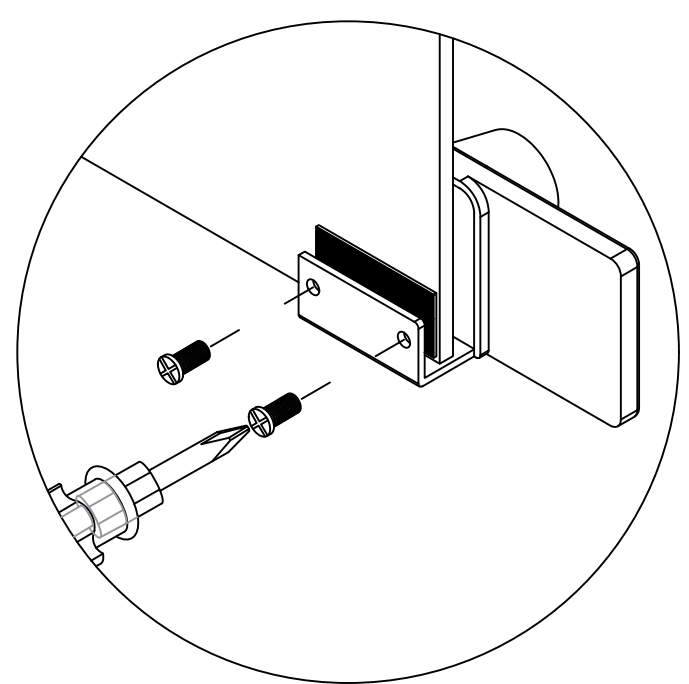
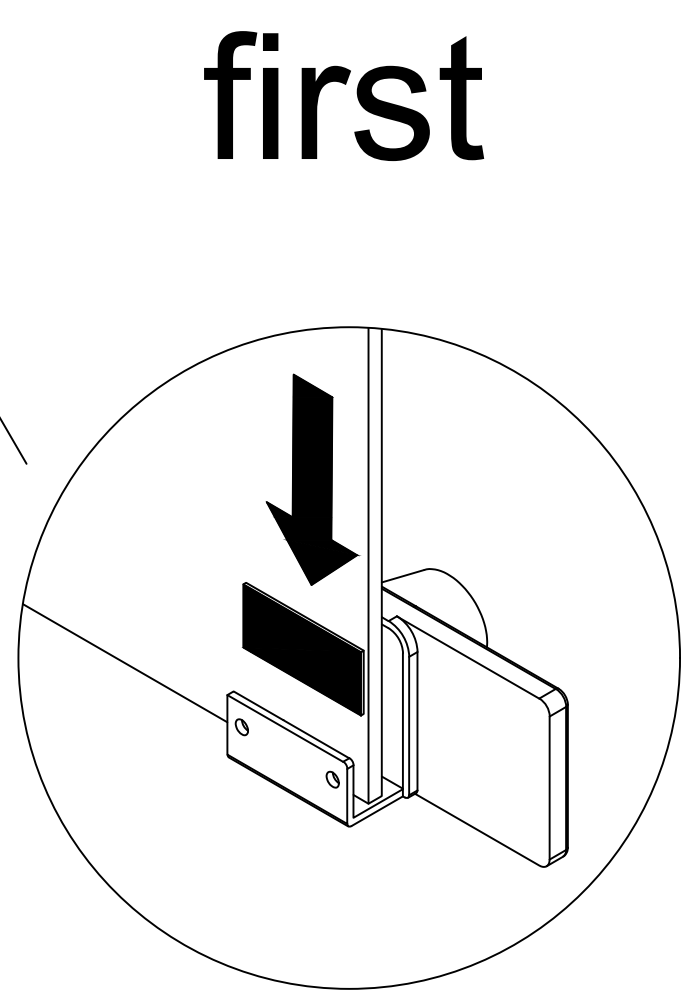
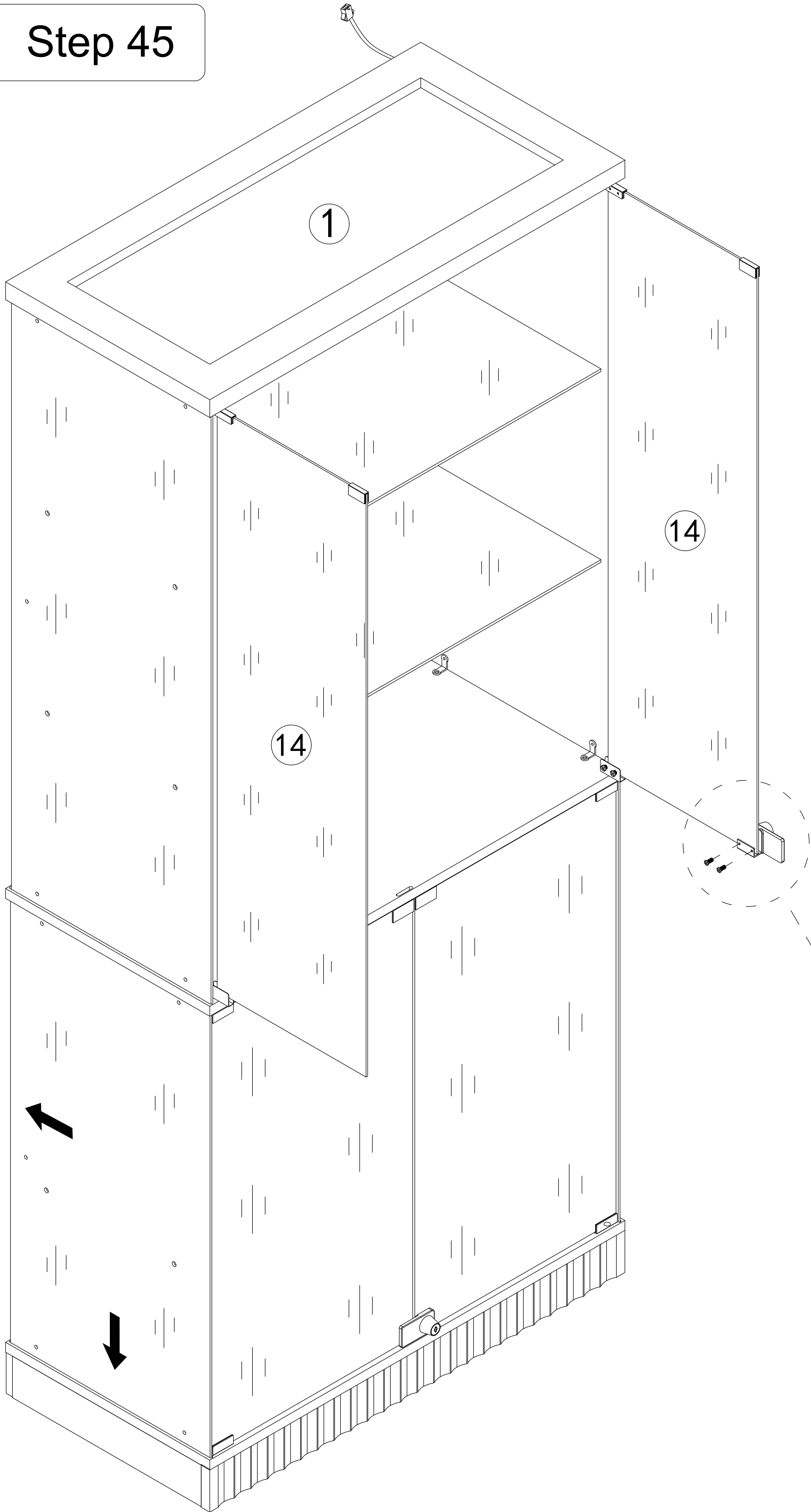
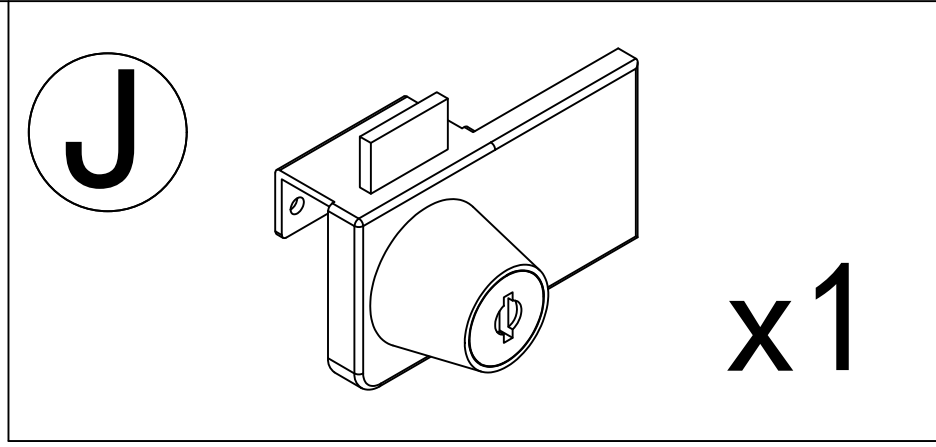


third

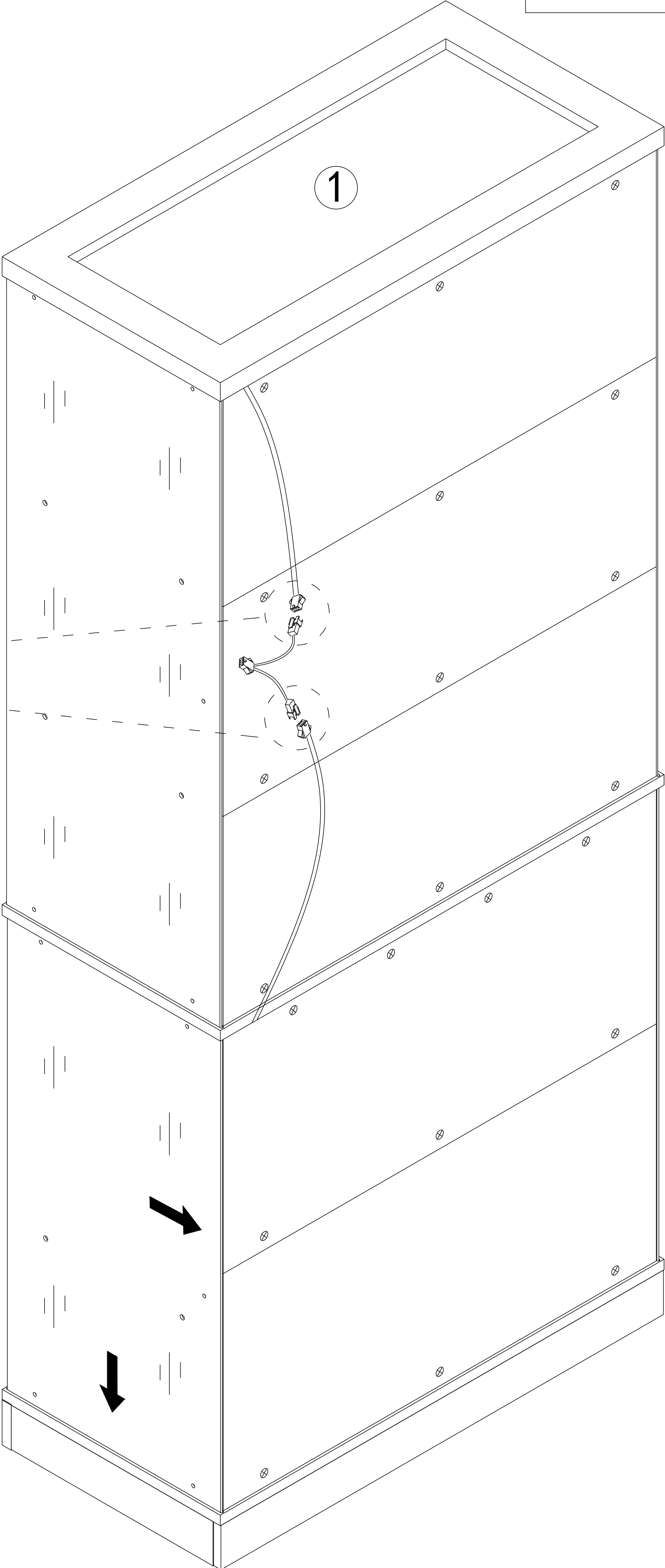
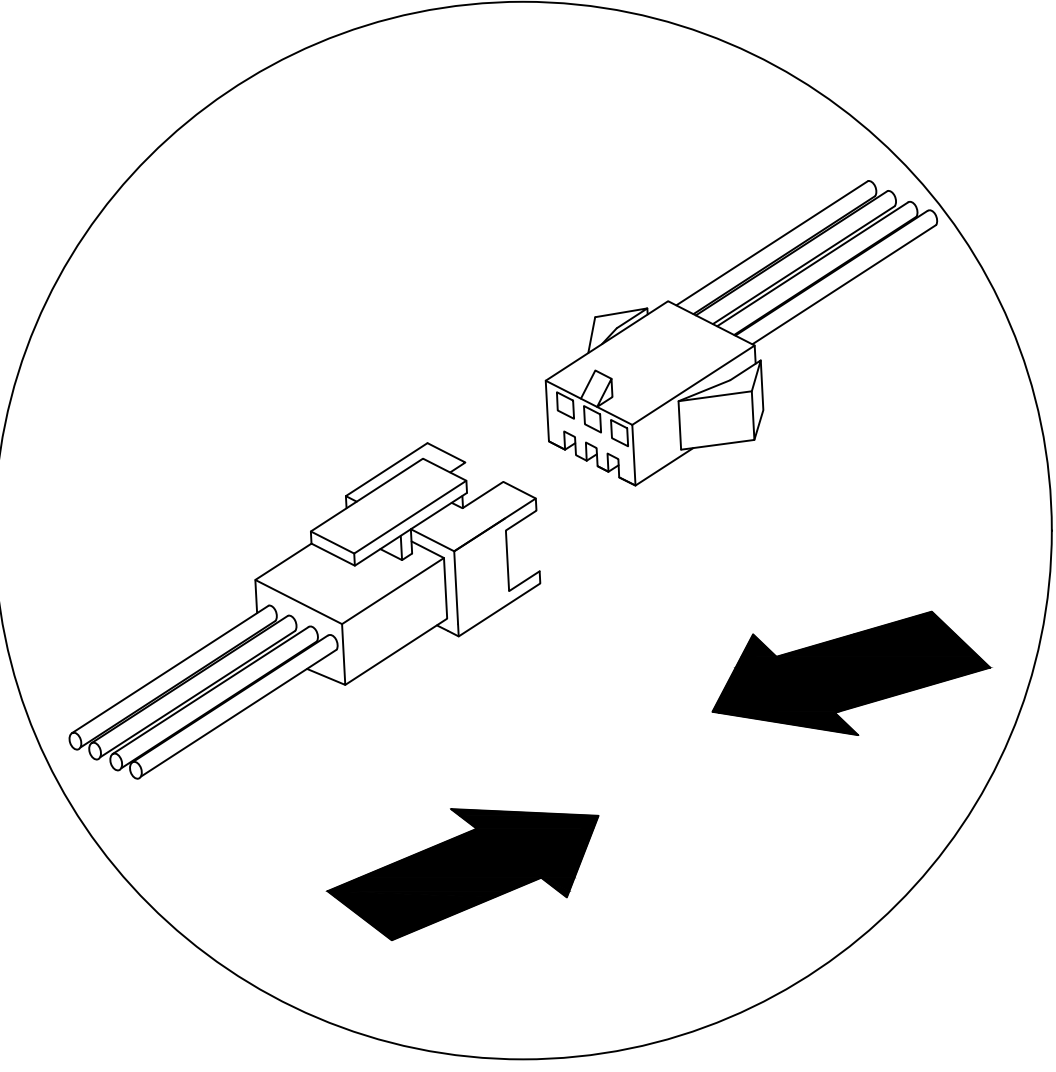
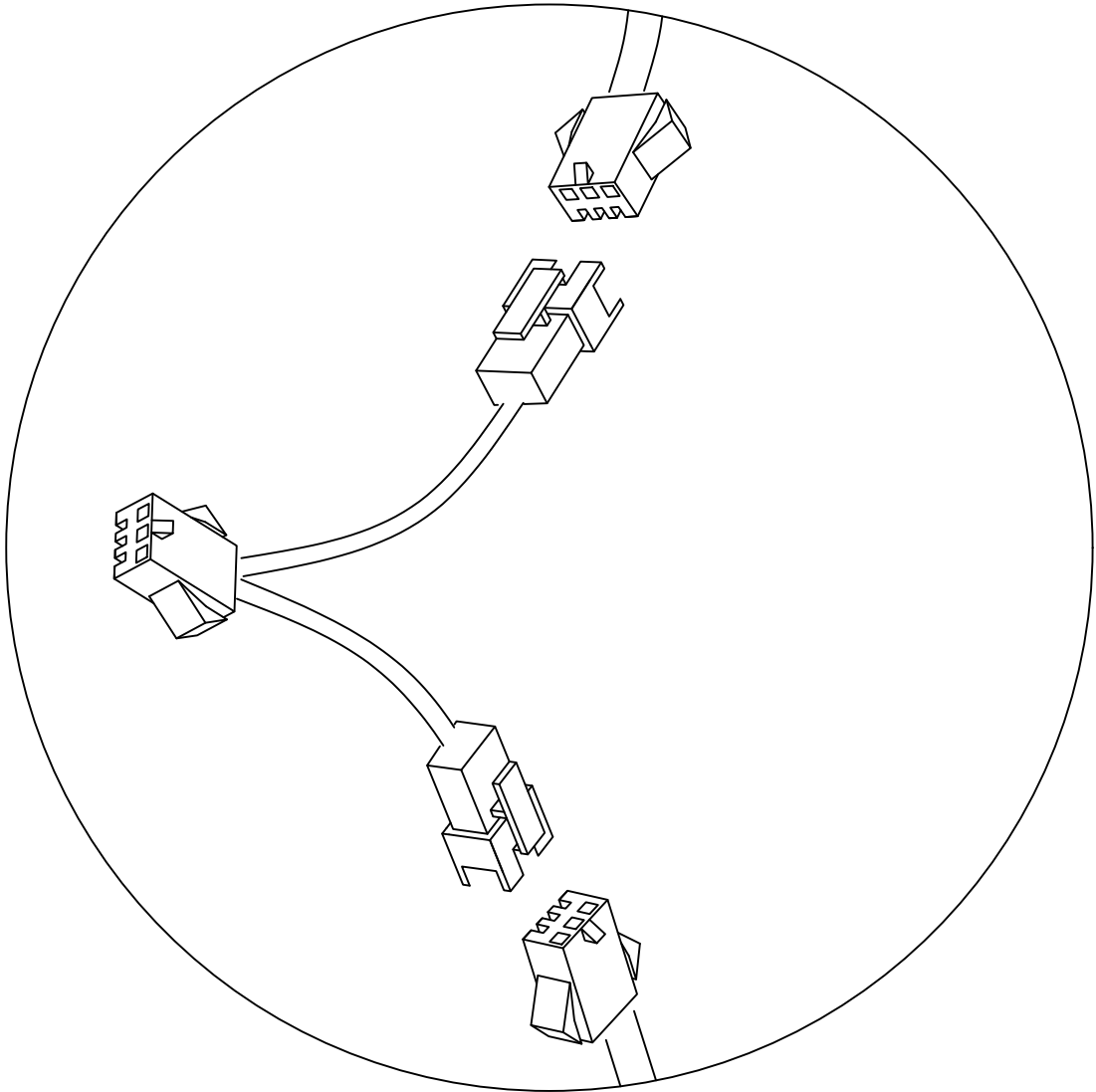
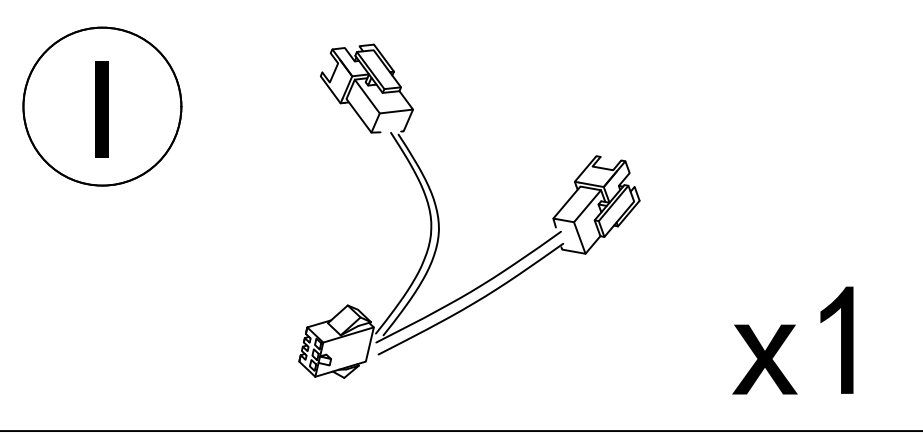
Locking screw

36

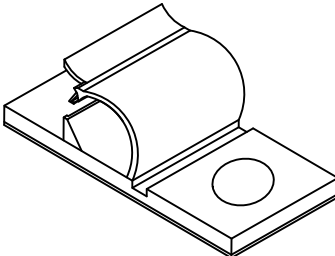
Step 45

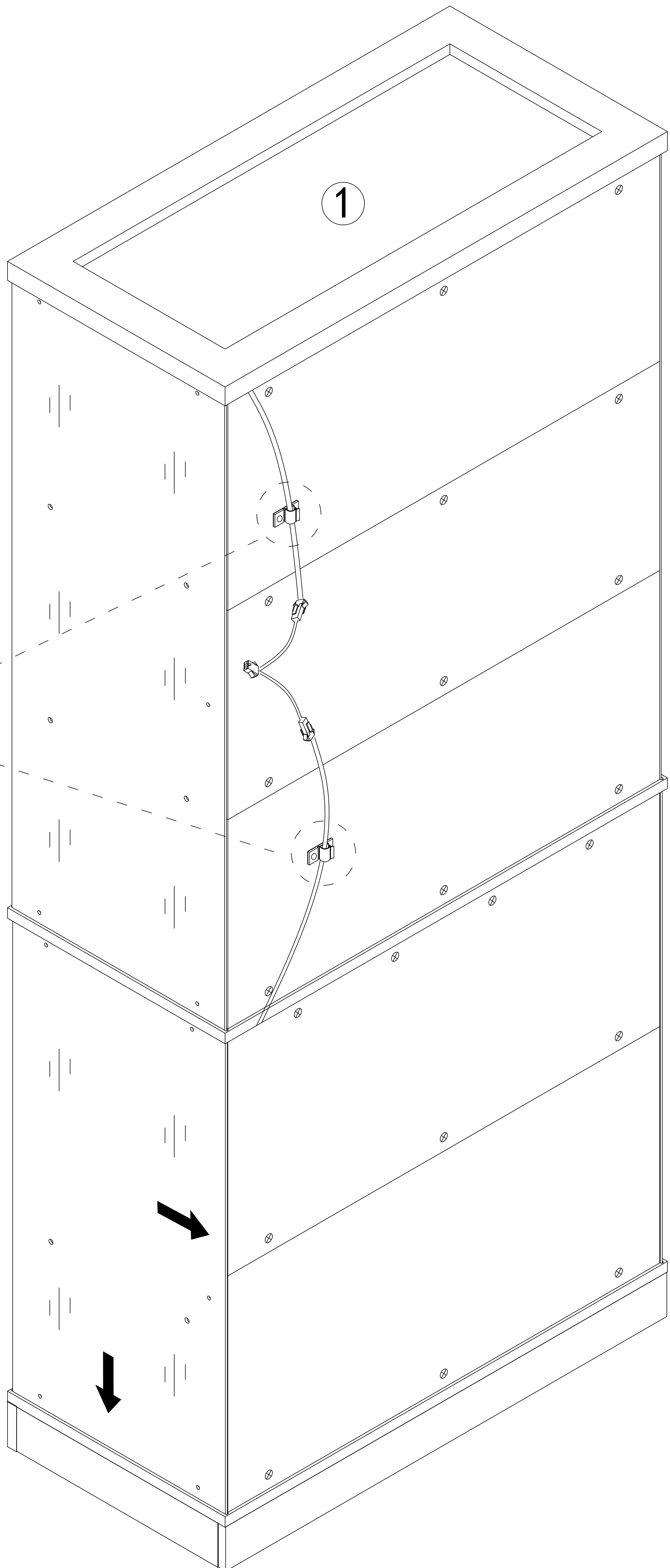
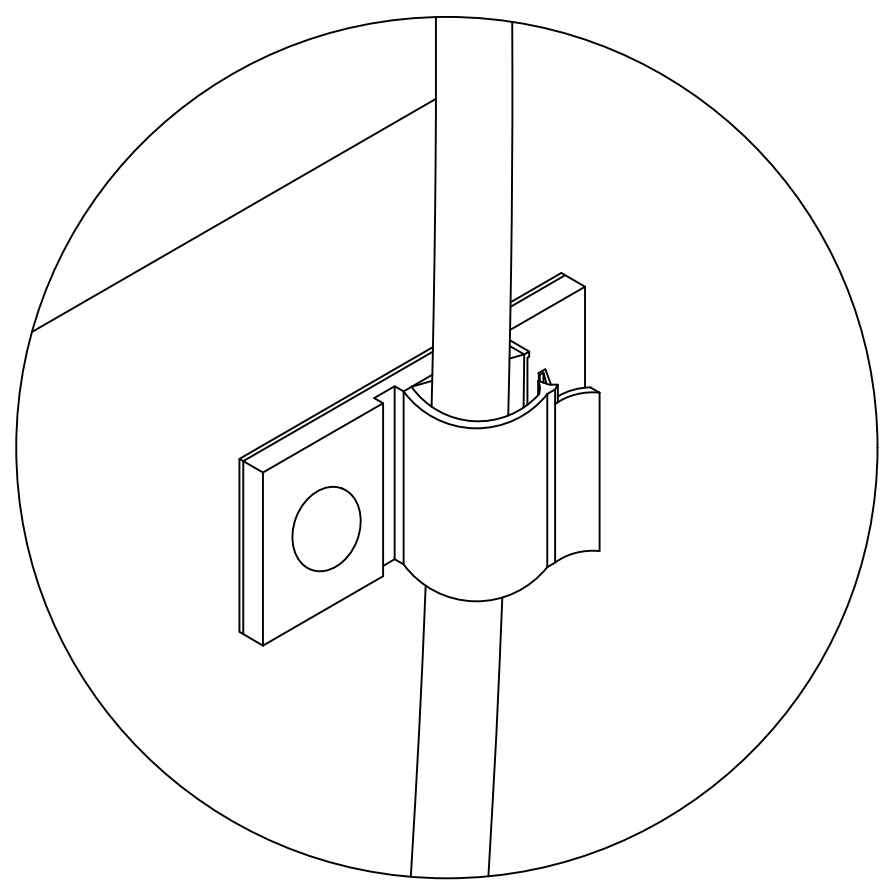


# Step 46

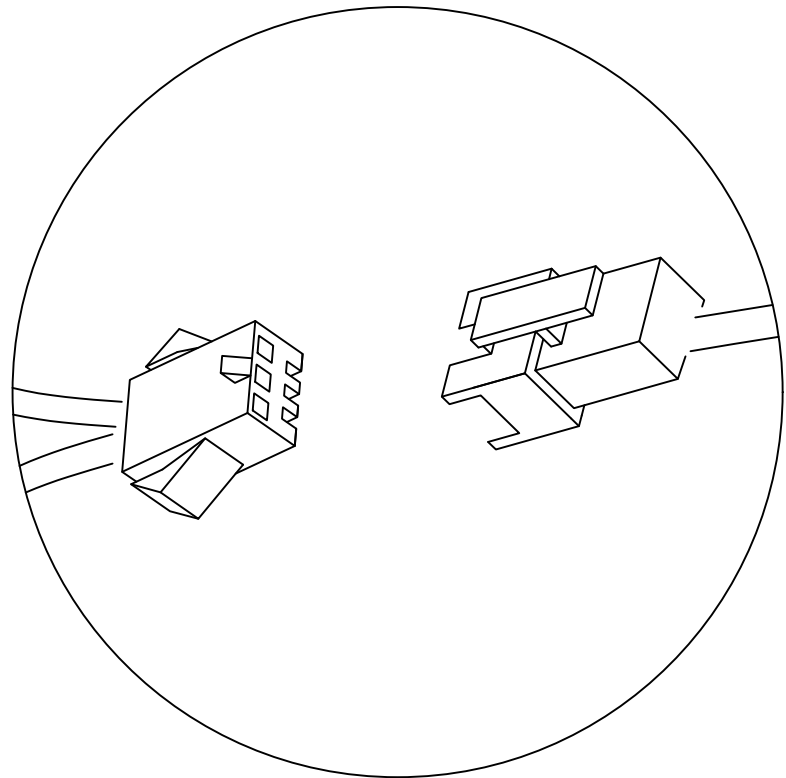
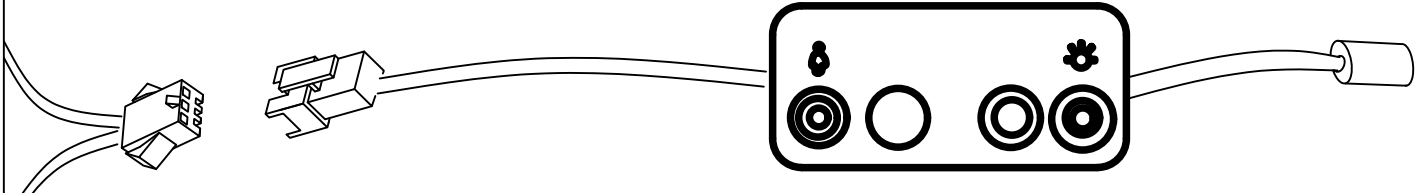
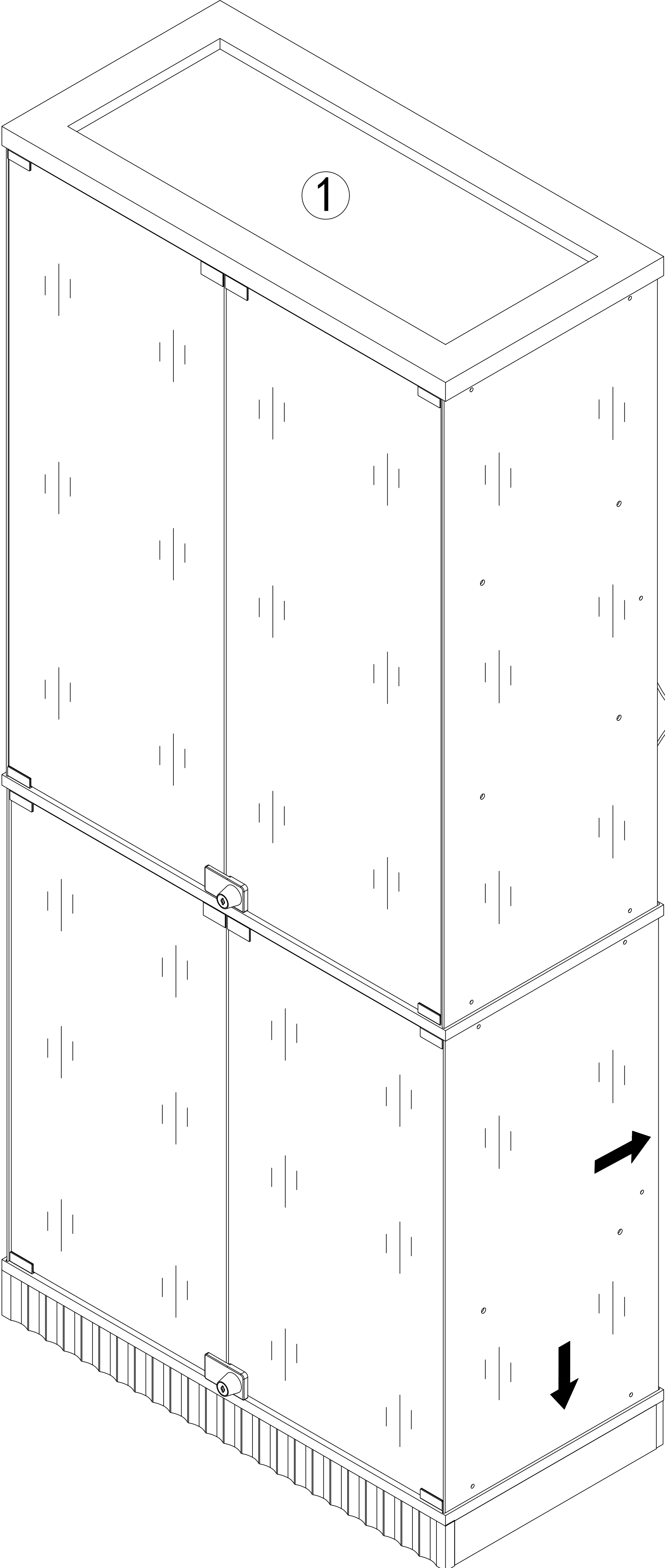
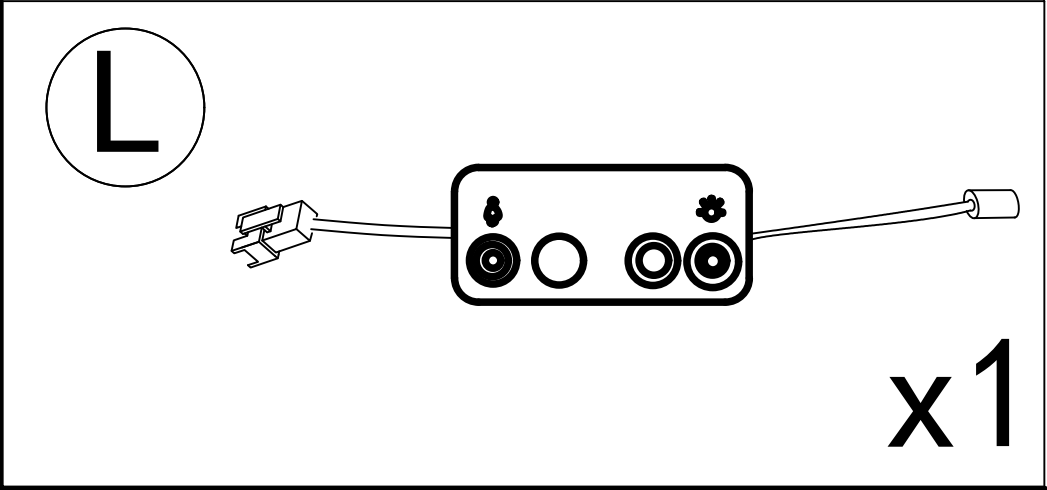


Step 47

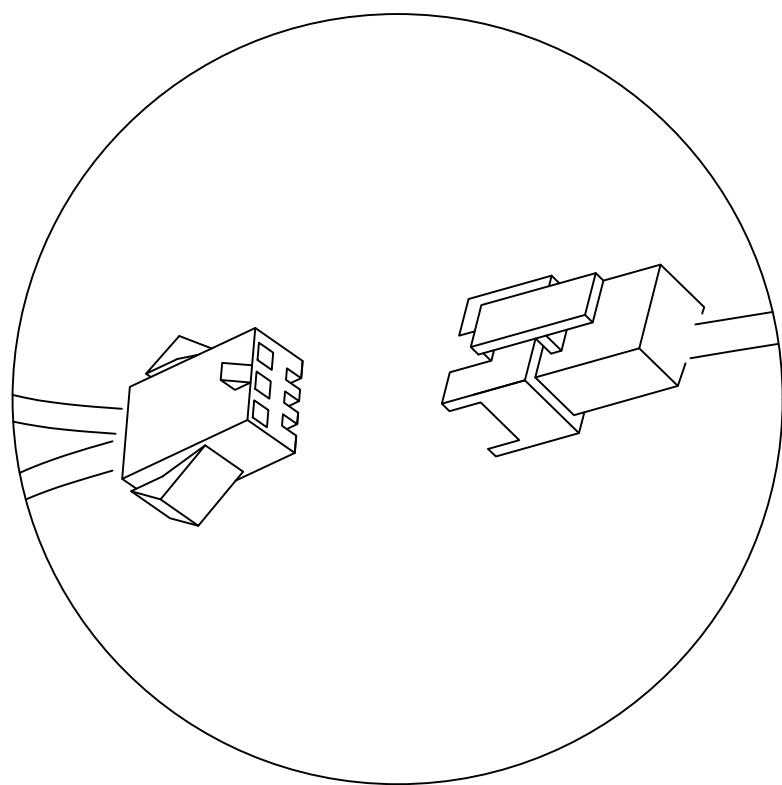
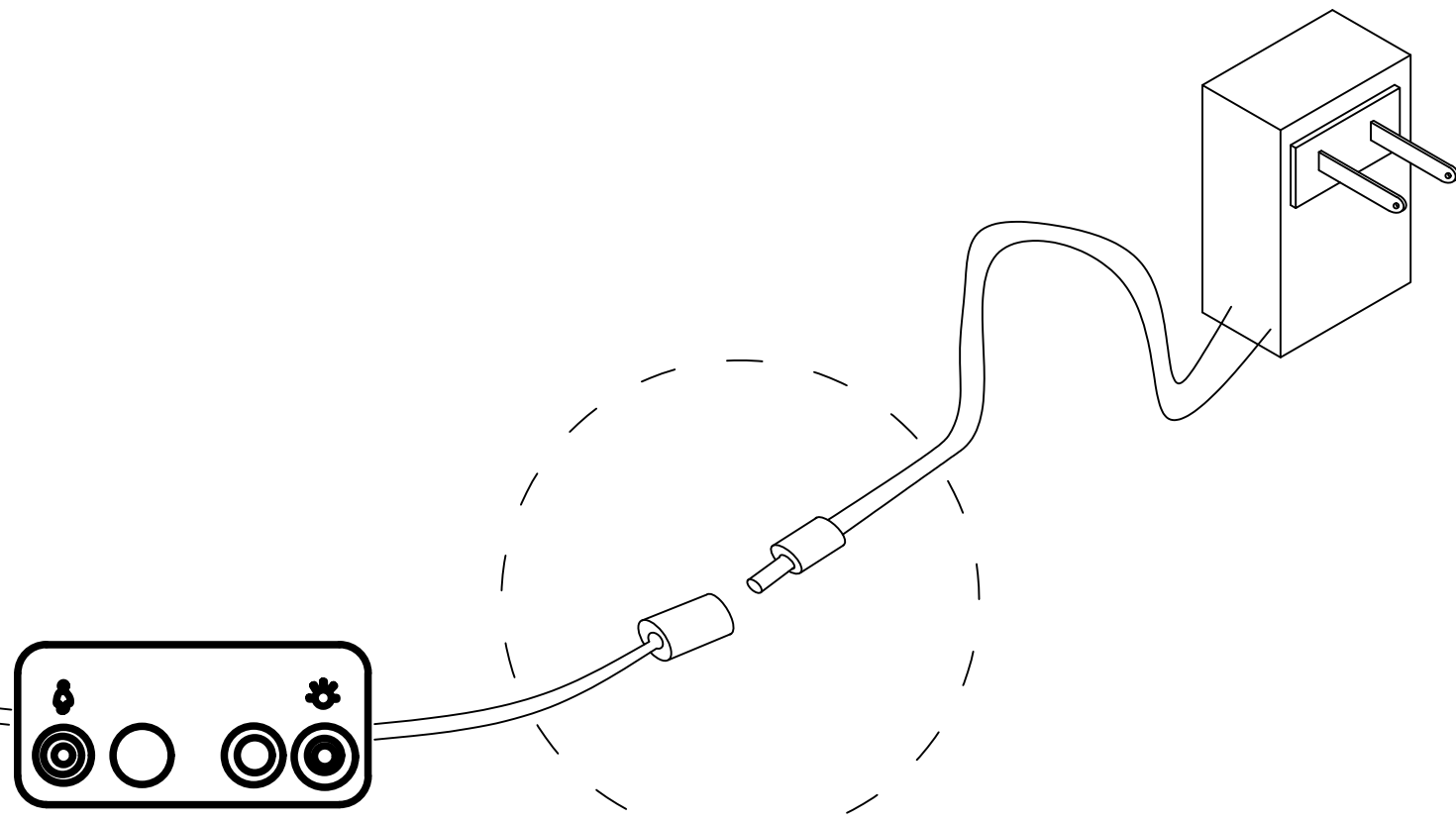
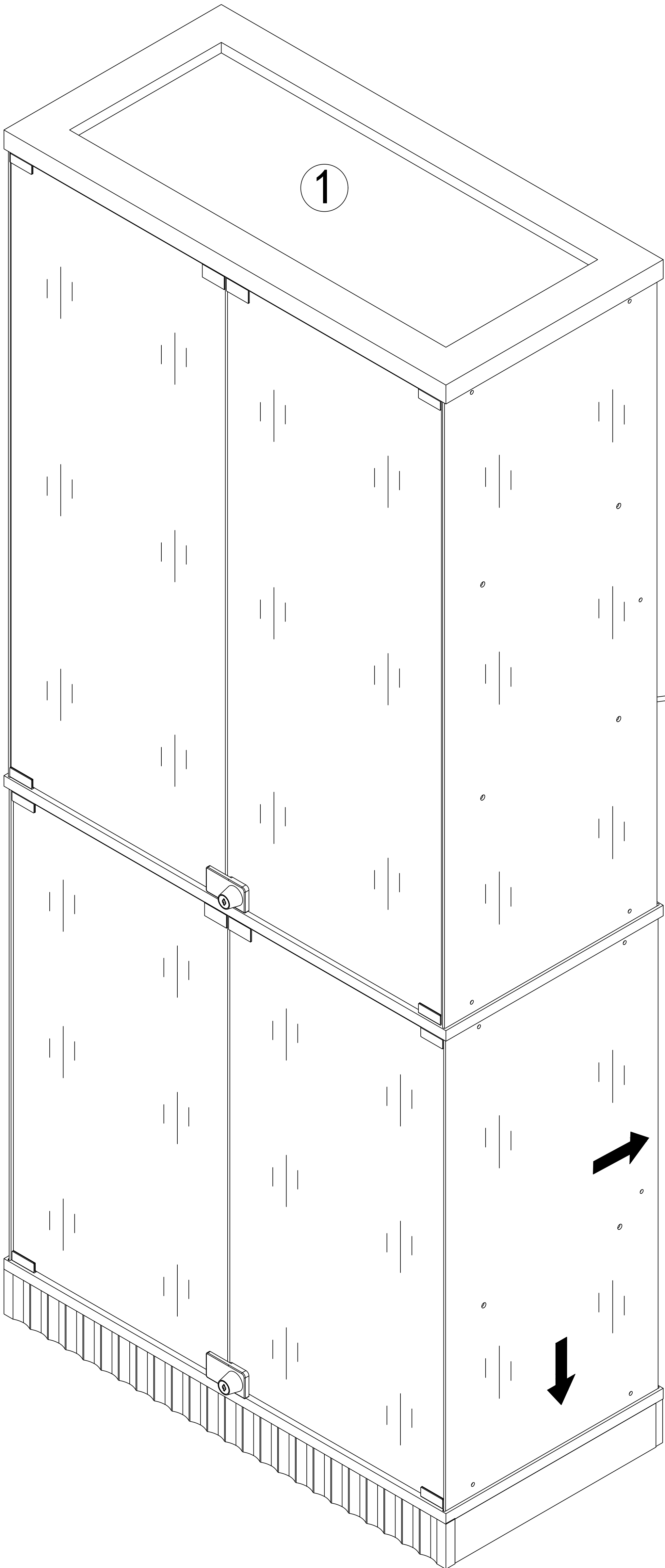
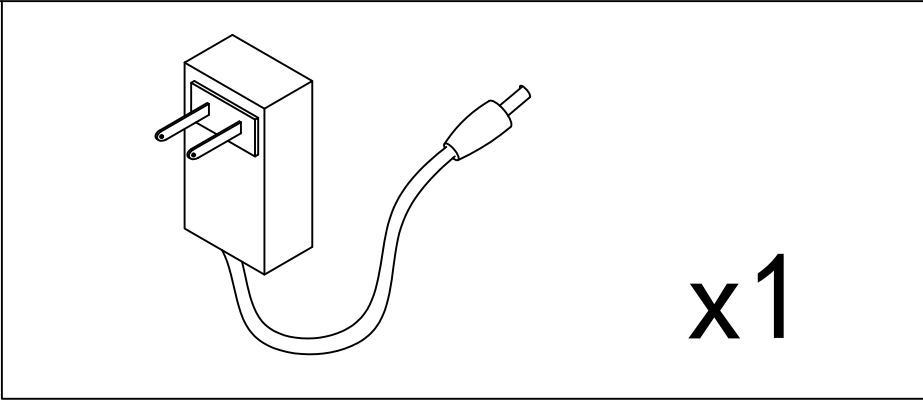
**K**  x2



Step 48

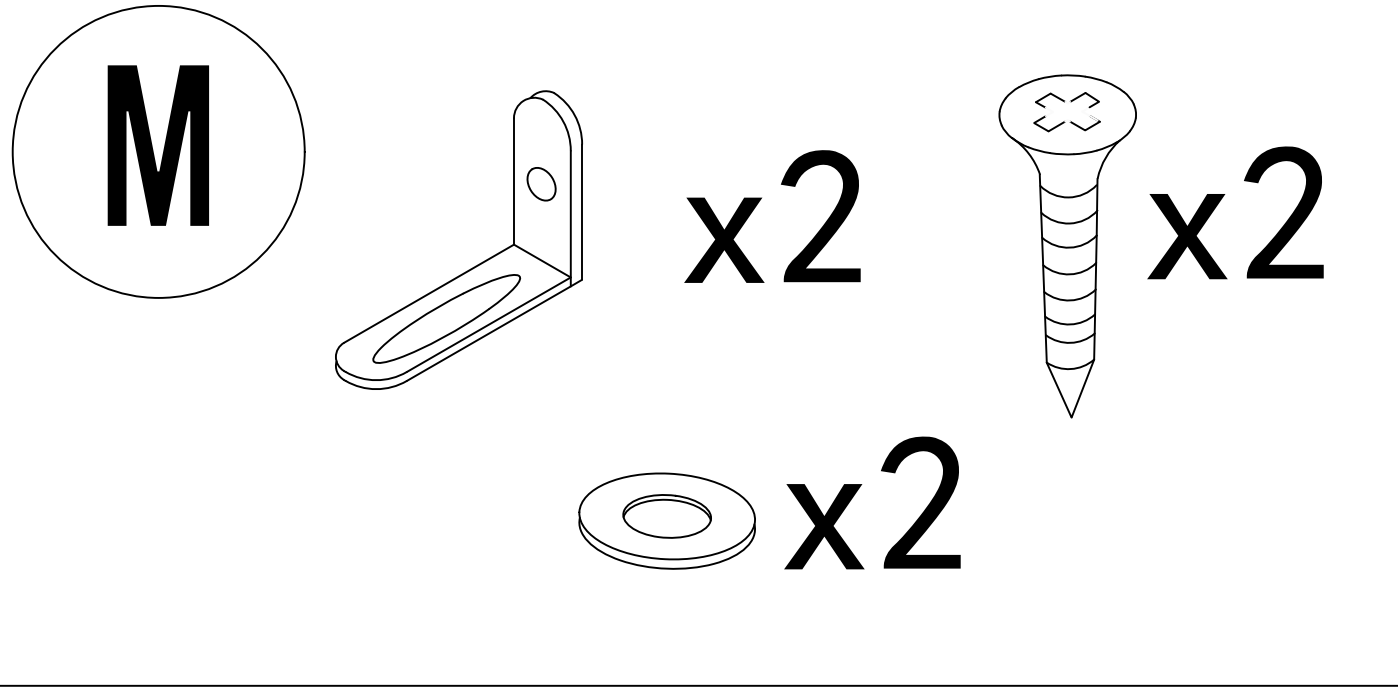


# Step 49

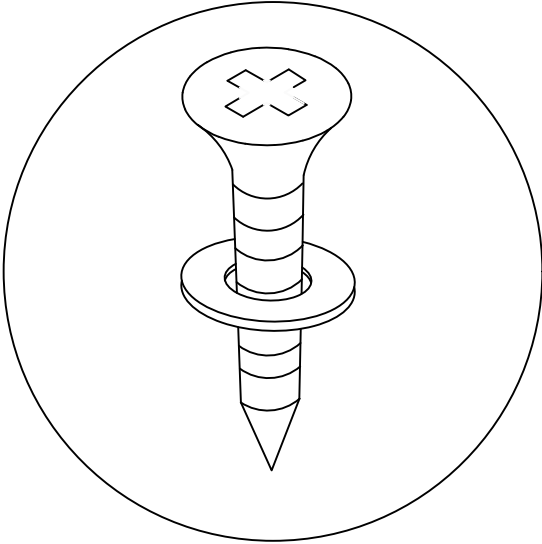


Step 50

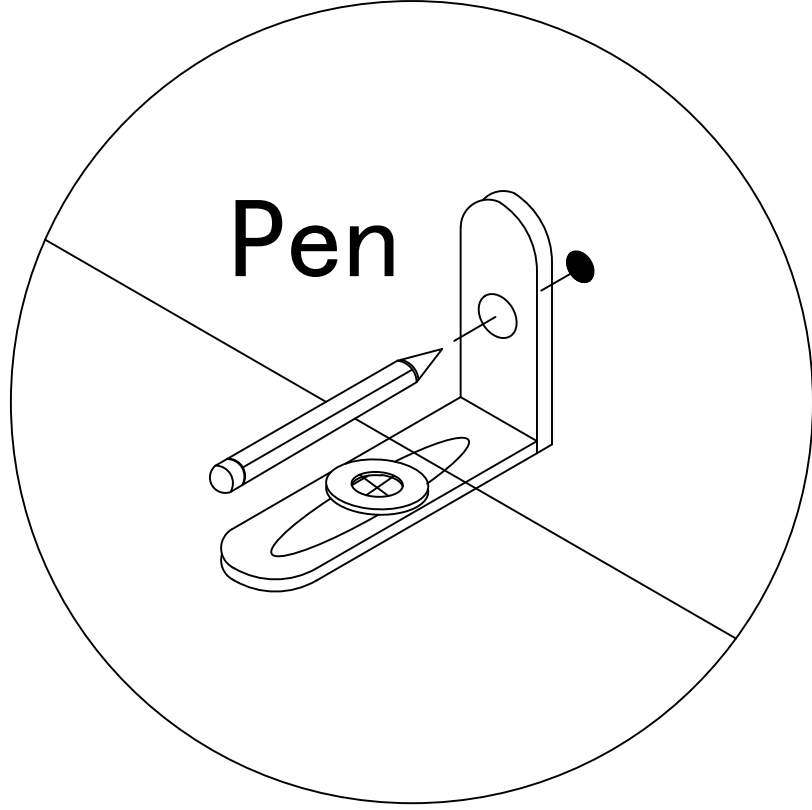
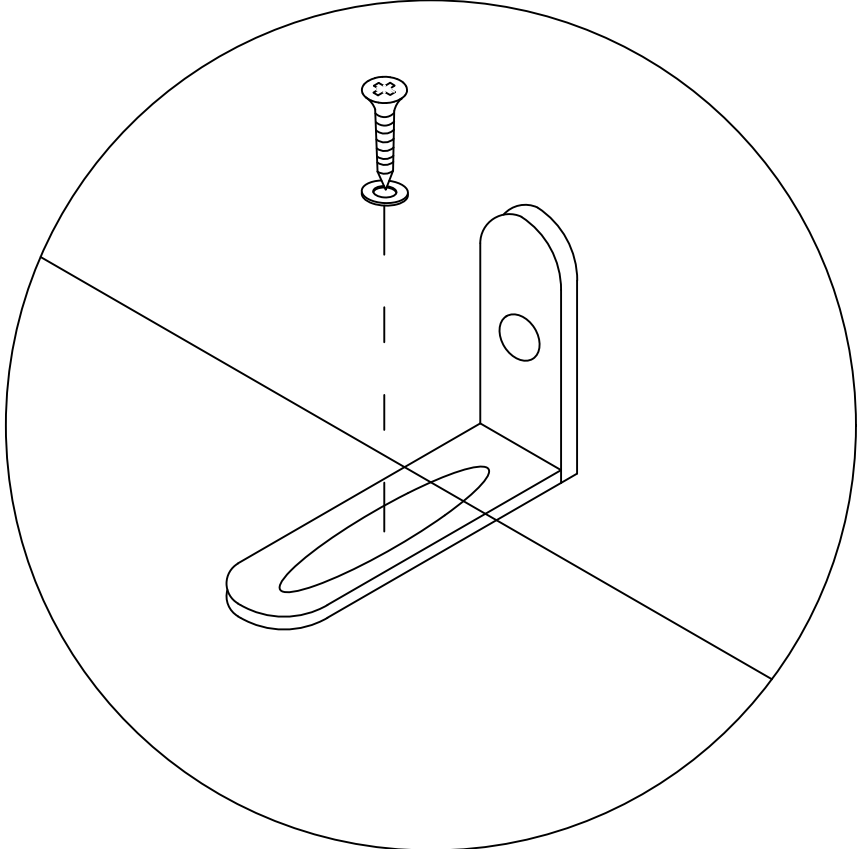
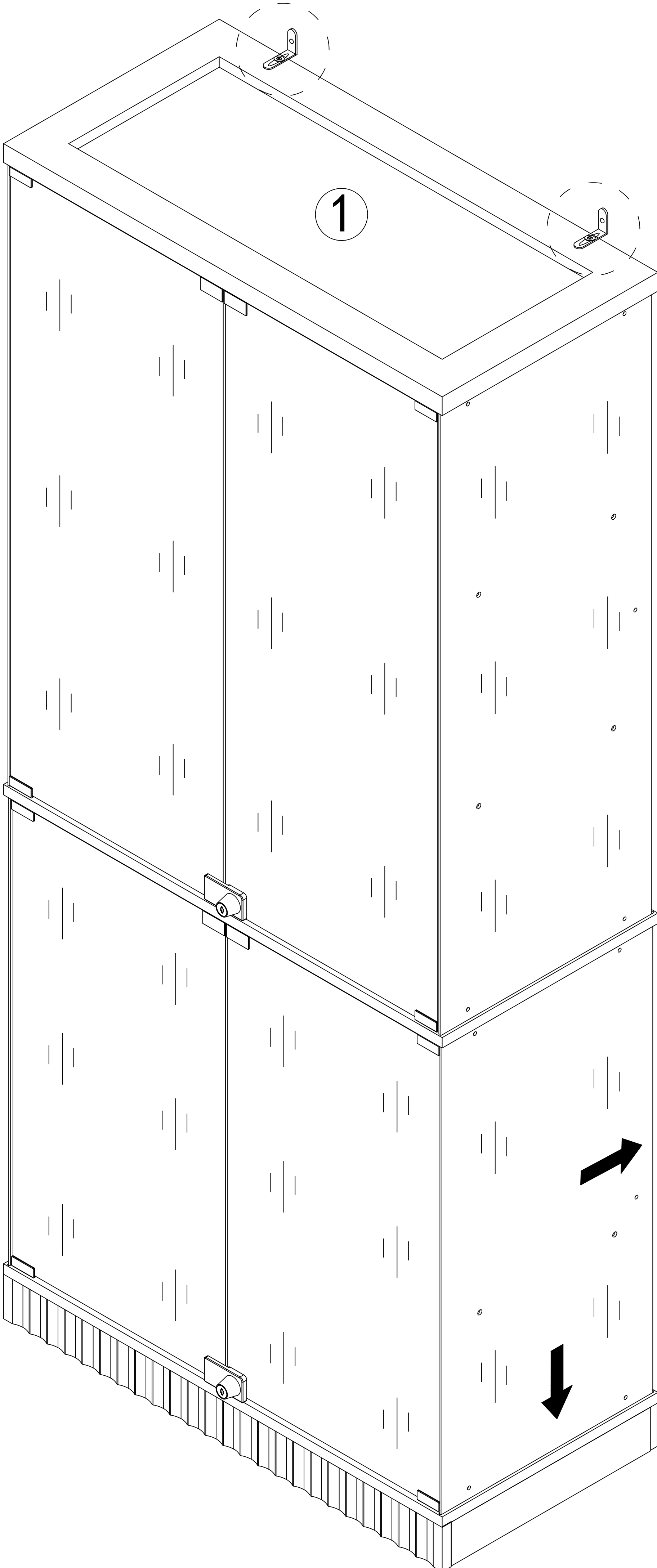
Install as required



3.5x14mm



Install the anti fall hardware on the cabinet as shown in the picture first



Then mark the wall with a pen through the holes in the anti-fall hardware

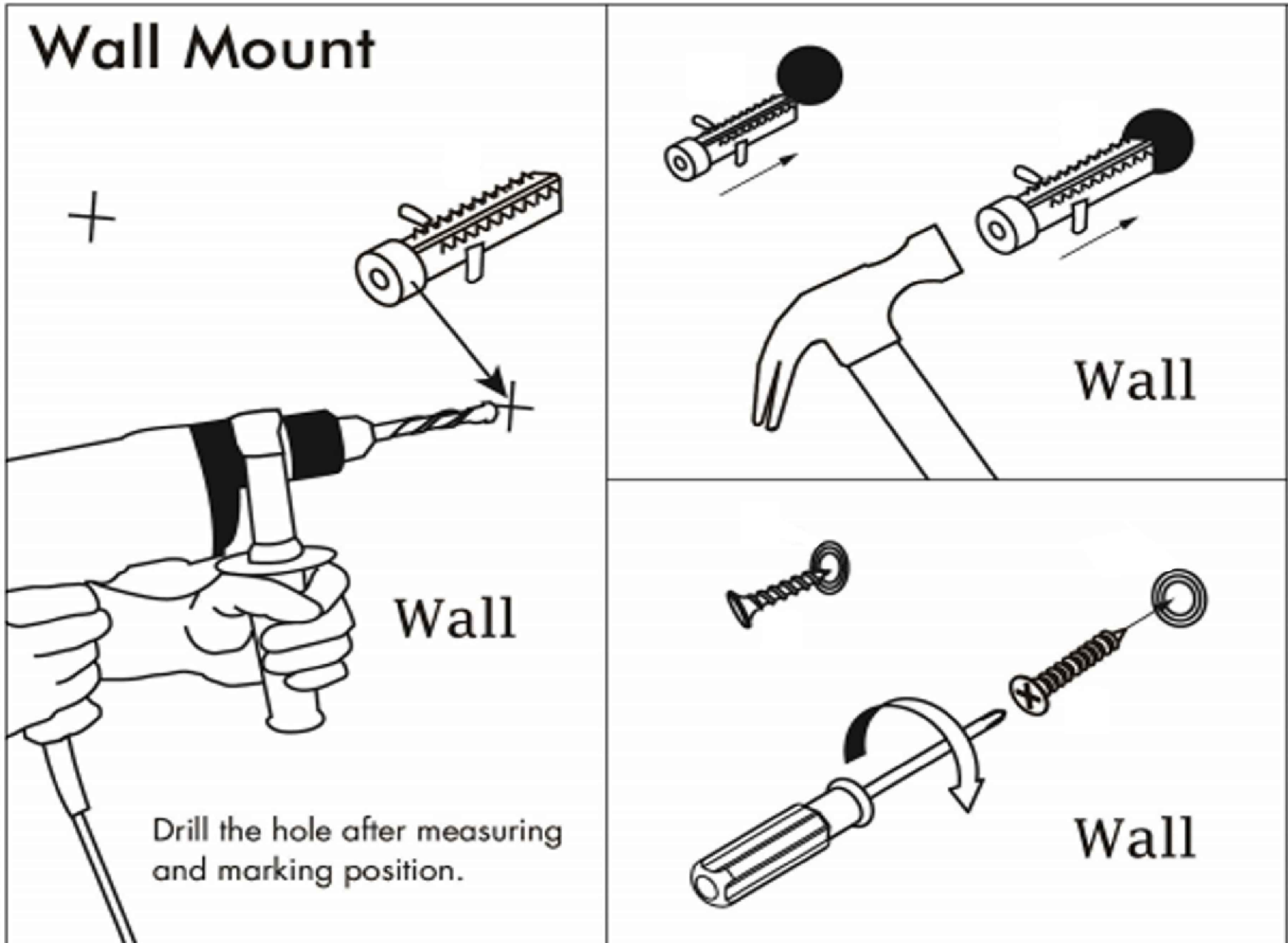
# Step 51

M

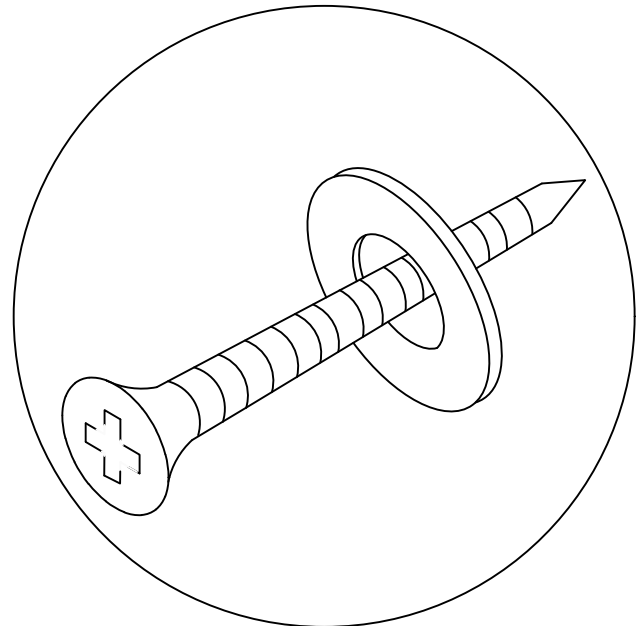
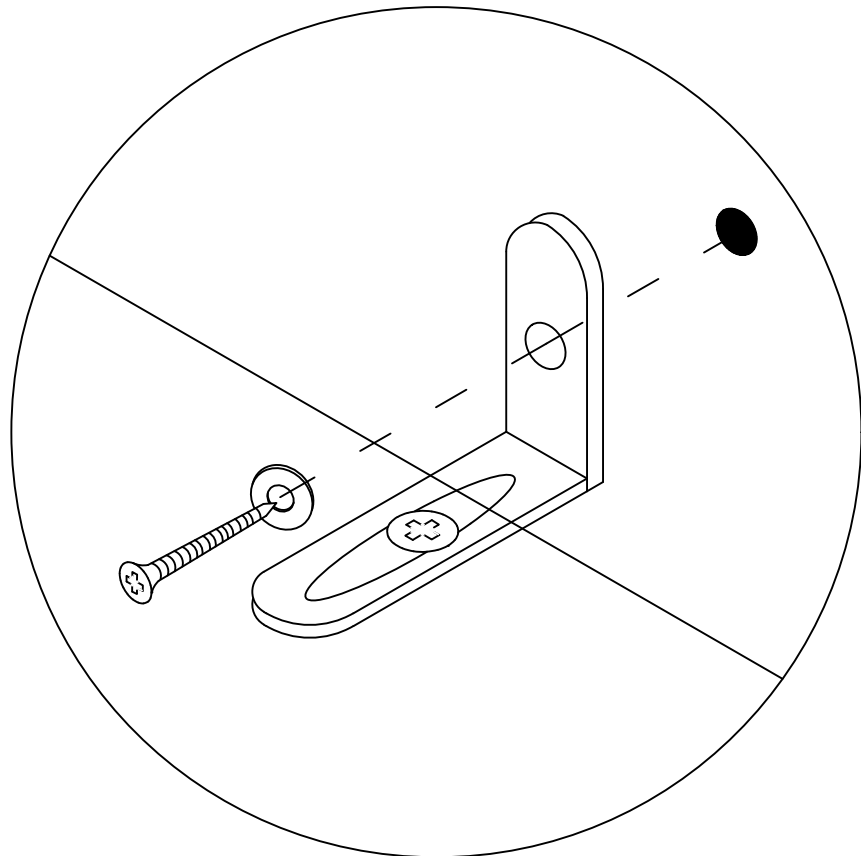
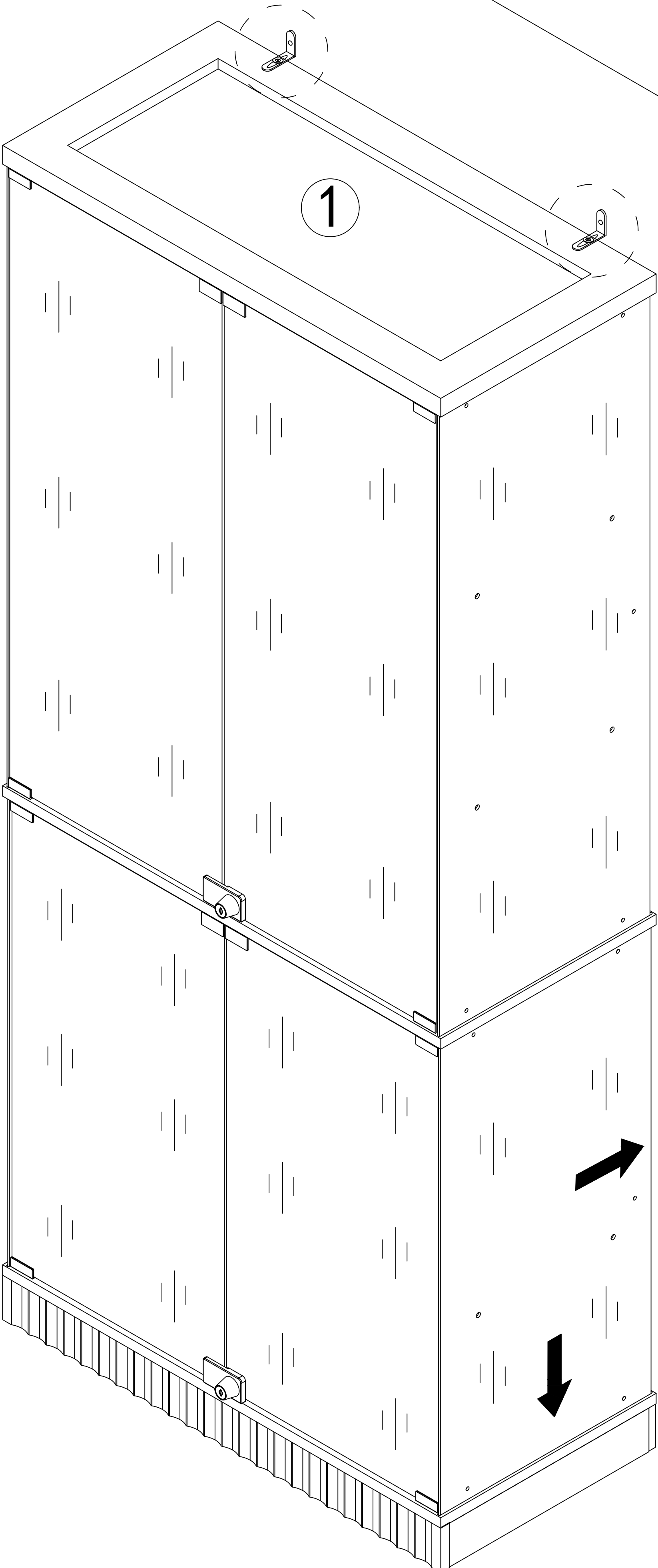
x2

x2

x2



Drill the hole with an electric drill and punch in the colloidal particles



4x45mm

Fix the dressing table to the wall



## User Guide

When using this product, please insert a 12V DC power supply.

If there is no touch response suddenly, you can try to cut off the power, reconnect and reset the program.

## Product Presentation

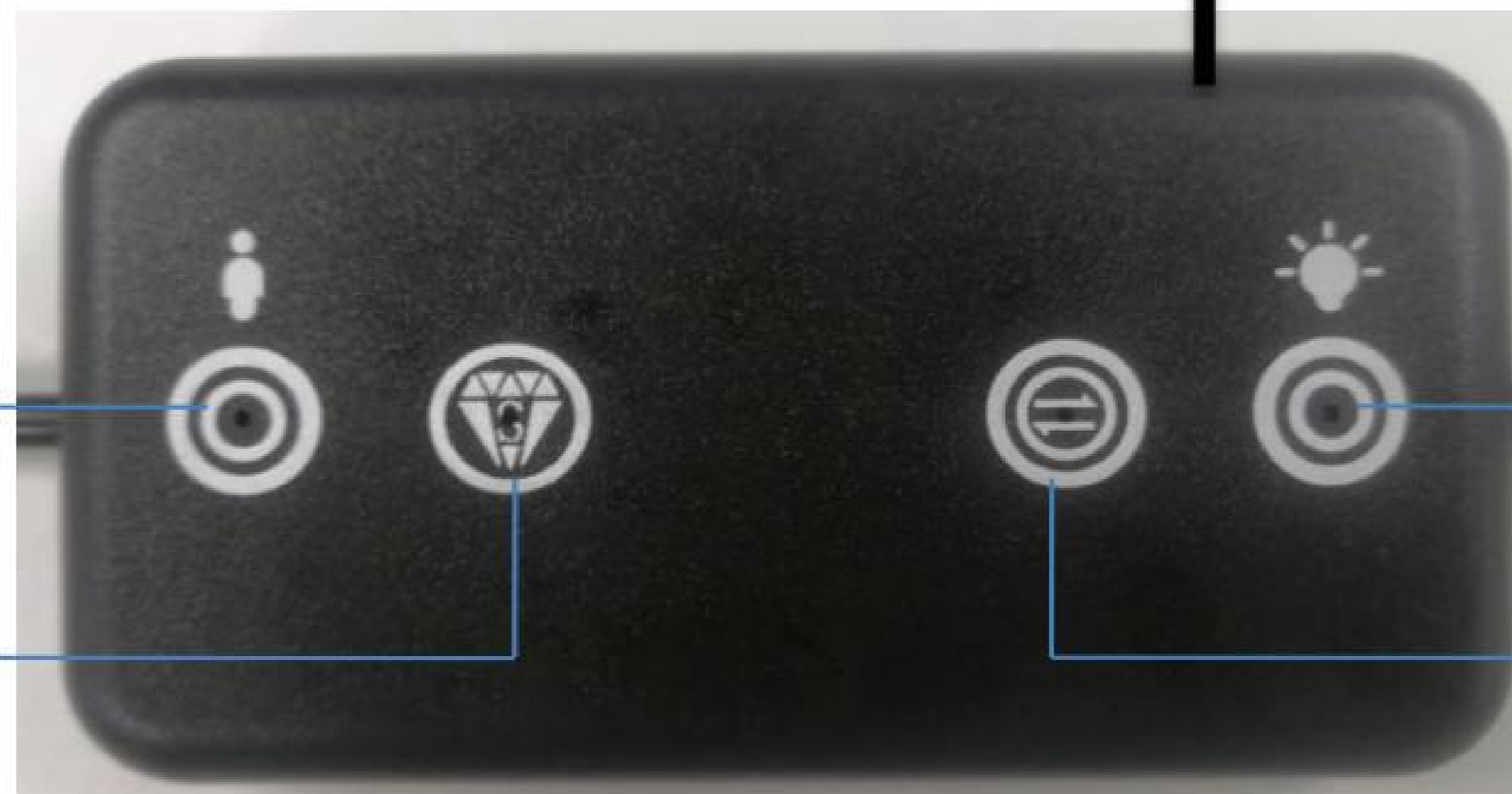
The smart magic box is equipped with a built-in 5.8G radar human sensor that operates within a 2-meter range. It detects approaching objects and uses intelligent sensing to turn on the light.

A. A single press of this button activates the radar sensing function (indicator light on), allowing the light to be controlled by motion. If no motion is detected for 30 seconds or if a person leaves, the indicator light will turn off, and the controlled light will also turn off. When motion is detected within a 2-meter range, the indicator light will turn on, and the controlled light will turn on as well.

B. To deactivate the motion sensing function, press and hold the button for more than 0.5 seconds (indicator light off). In this mode, the controlled light bar will stay in its current state and will no longer respond to movement. By default, radar sensing is enabled when the smart box is powered on for the first time.

The touch button functions as the main power switch for the smart box. It can turn all box functions on or off and control the light strip's power. By default, when the device is powered on for the first time, the light is set to white.

This touch button controls the Dynamic Phantom Color Mode, which features 5 different magic color transition modes..



This touch button controls the single-color mode for the light strip, with 7 colors available for selection. A long press enables continuous dimming for the light.



1. Clean the back of the electronic module and the surface where it will be attached to the cabinet, ensuring that there is no dust or oil residue.
2. Hold one side of the 3M adhesive's release paper and gently peel it off to expose the adhesive surface.
3. Align the exposed adhesive with the back of the electronic module to secure it in place.
4. Slowly peel off the release paper from the other side to reveal the second layer of adhesive.
5. Position the module on the desired location on the cabinet and press firmly to ensure it sticks securely.