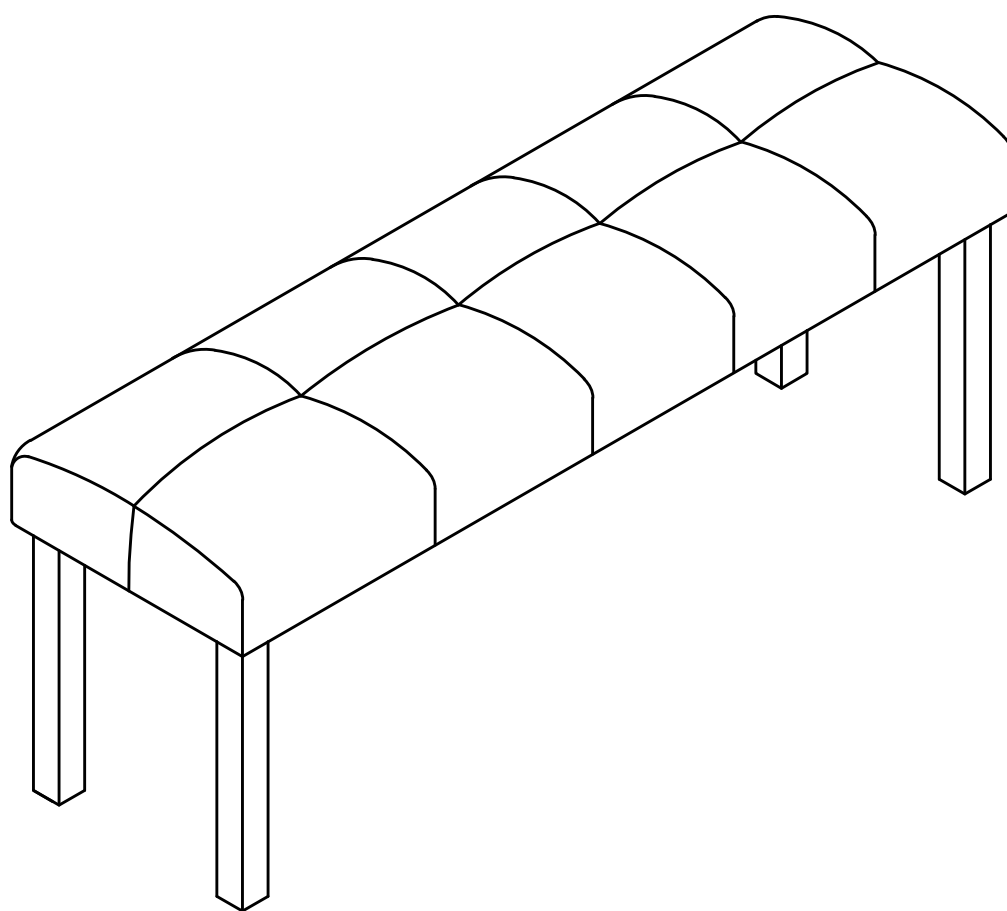


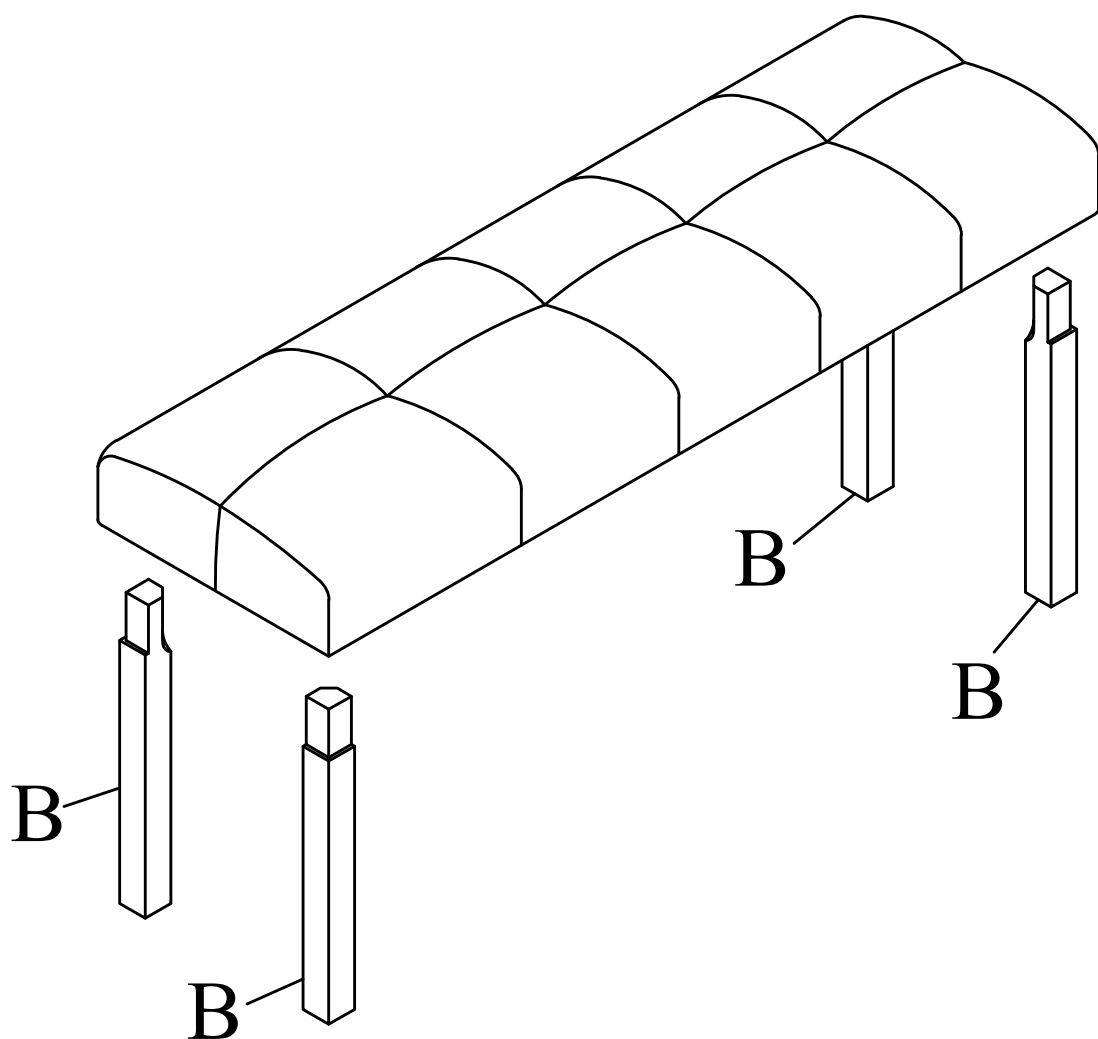
ASSEMBLY INSTRUCTION

(Instructions de montage)

N752P300577



NOTE: 50% TIGHTEN BEFORE FIXING ALL BOLTS
(REMARQUE: SERRER À 50% AVANT DE FIXER TOUS LES BOULONS)

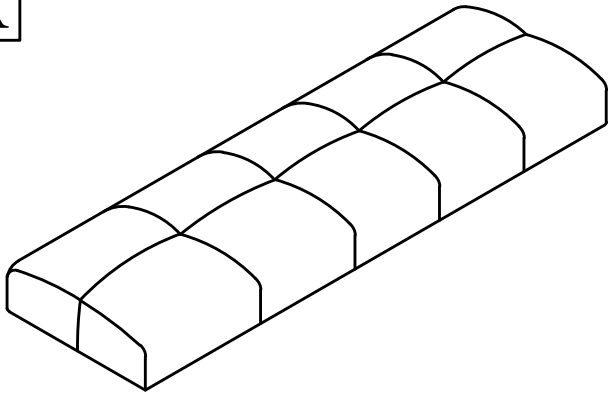


Notice:

1. 50% Tighten before fixing all screws, Allen wrench is recommended instead of an electric drill.
2. Place the item on a flat ground to adjust and make sure it remains stable.
3. Tighten up all screws with tools gradually.
4. If the screws are not aligned with holes during assembly, please loosen all the other screws to 50% and continue the assembly process.
5. If the item is not stable, please loosen all the screws, adjust it on a flat ground and tighten up all screws again.
6. Note : If one or some screws are fully tightened during assembly, chances are the others will not be aligned with holes. In addition, all the holes are designed to be relatively larger to provide more space for the adjustment of the screws.

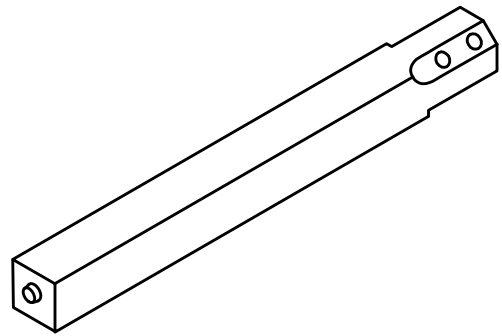
PART LIST (LISTE DES PIÈCES)

A



Benchitop (1pc)
(Plateau de benchi)

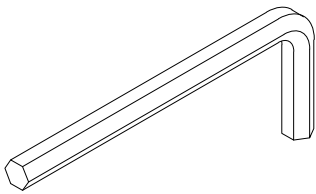
B



Benchi Leg (4pcs)
(Pied de benchi)

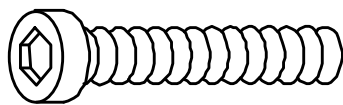
HARDWARE LIST (LISTE DU MATÉRIEL)

1



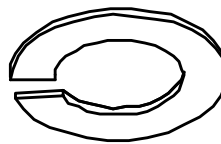
Allen key 5mm (1pc)
(Clé allen)

2



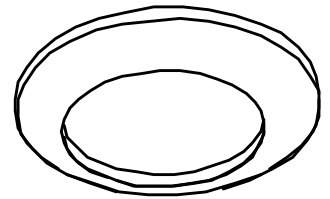
Bolt 5/16"x50mm(8pcs)
(boulon)

3



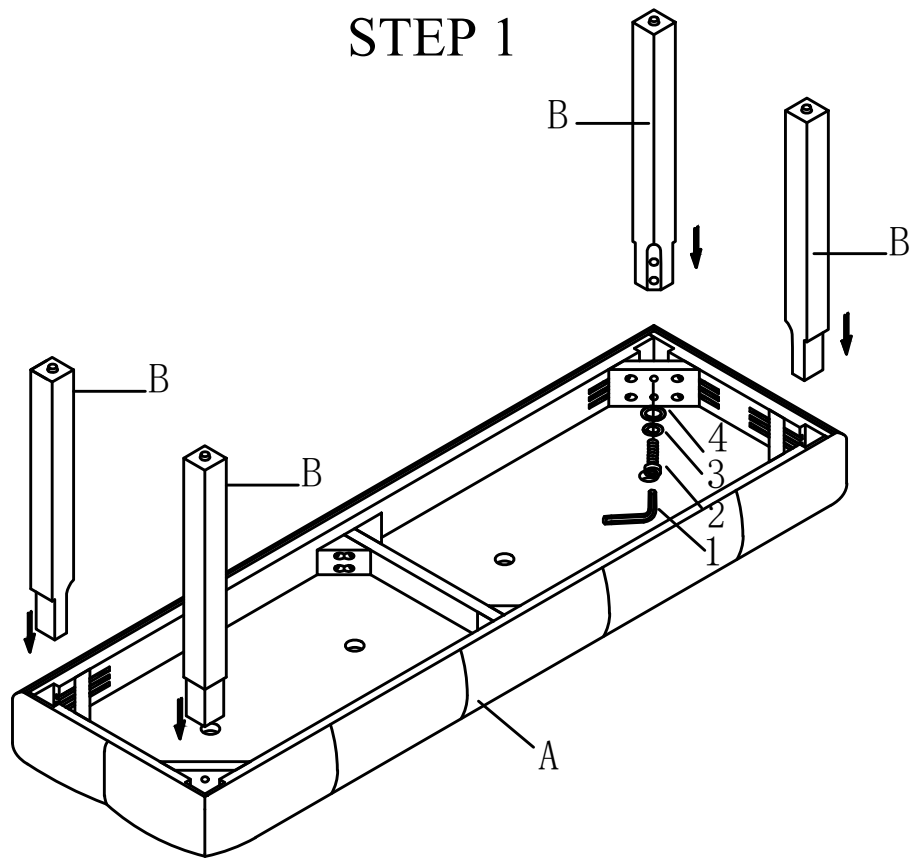
Lock washer Ø5/16" (8pcs)
(Rondelle élastique)



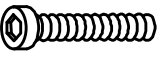

4



Flat washer Ø5/16"*Ø22mm
(8pcs)
(Rondelle plate)

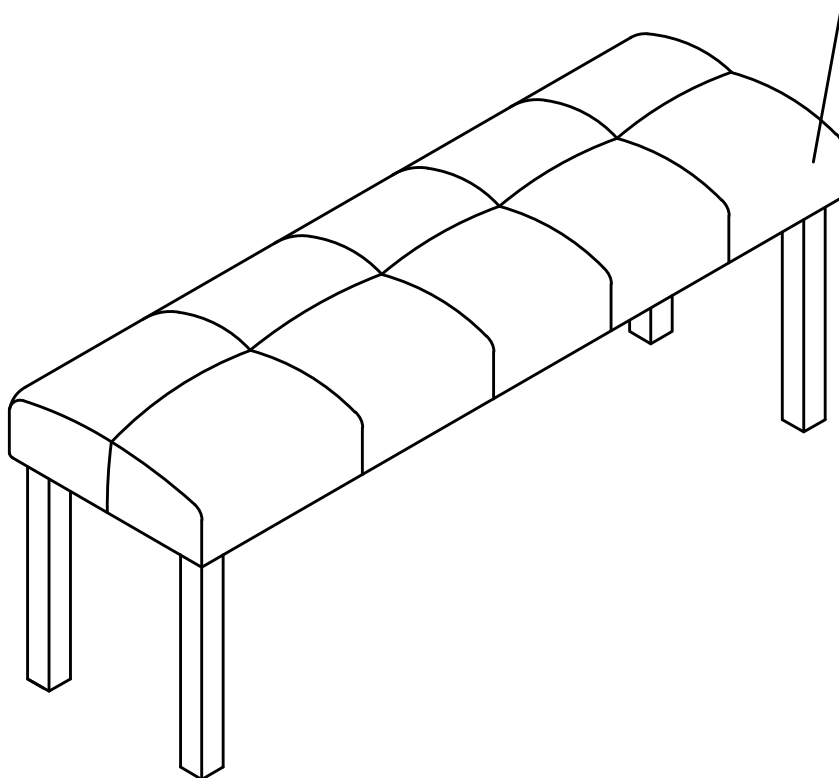
STEP 1




1		Allen Key 5mm (Clé Allen)	1pc	3		Lock washer Ø5/16" (Rondelle élastique)	8pcs
2		Bolt 5/16"x50mm (Boulon)	8pcs	4		Flat washer Ø5/16"*Ø22mm (Rondelle plate)	8pcs

STEP 2

Please balance all 4 chair legs on the same level & tighten all the screws.



1		Allen Key 5mm (Clé Allen)	1pc
---	---	---------------------------	-----

STEP 3

