

Care and Maintenance

Dust with a soft, dry cloth. Do not use abrasive cleaner. To clean mirror, spray a small amount of glass cleaner onto a lint-free cloth and wipe mirror clean.

Notice






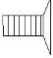
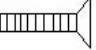
* Please make sure that you have all parts indicated before you begin assembly of this item

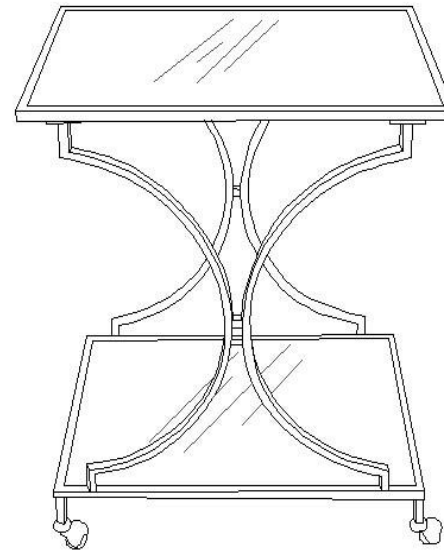
* This item should be assembled on a soft surface to prevent scratching the finish during assembly

* This item may require periodic tightening

Product Dimensions: 26" W X 19 1/8" D X 31 1/8" H

Part List and Hardware List

| Piece | Description | Picture | Quantity |
|-------|------------------------------|---|----------|
| A | top shelf |  | 1 X |
| B | side leg |  | 2 X |
| C | bottom shelf |  | 1 X |
| D | wheel |  | 4 X |
| E | mirror |  | 2 X |
| F | screws for top shelf |  | 8 X |
| G | long screws for bottom shelf |  | 4 X |

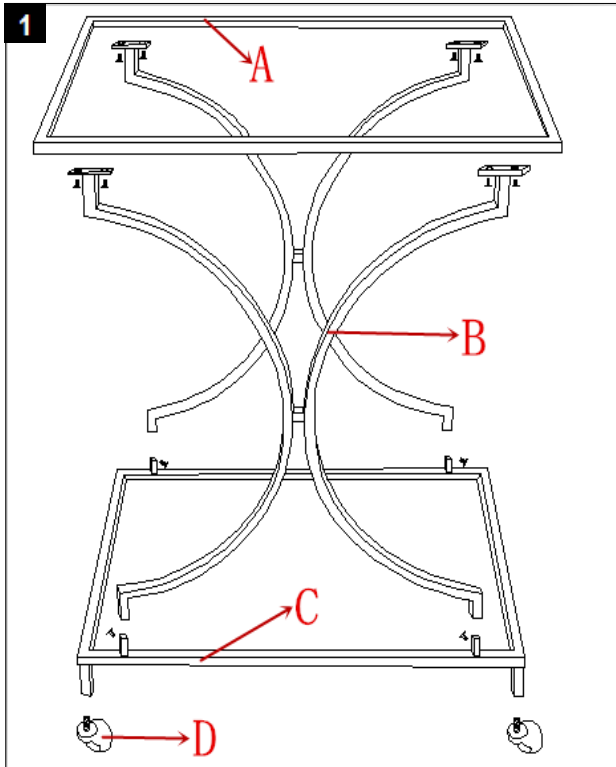


Preparation

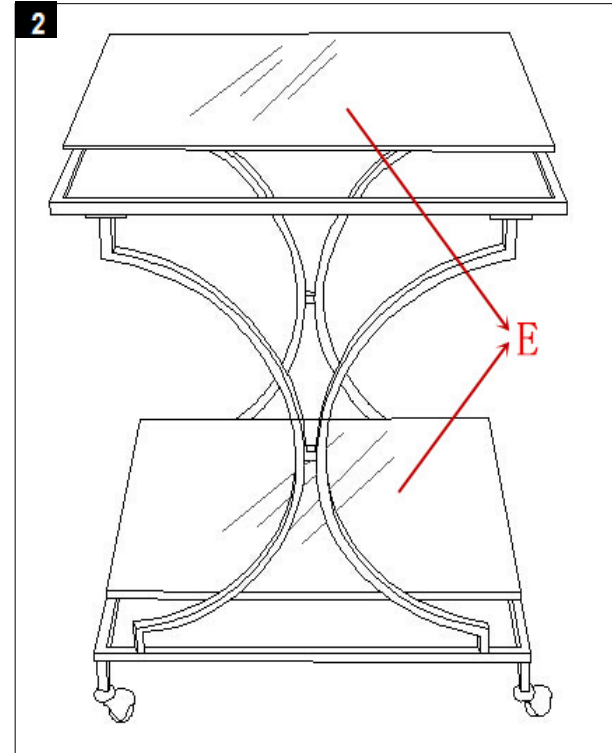
Before beginning assembly of product, make sure all parts are present. Compare parts with package contents list and hardware contents list. If any part is missing or damaged, do not attempt to assemble the product.

Estimated Assembly Time: 10 minutes.

Tools Required for Assembly (not included): Screw Driver



Step 1
Assemble the Top Shelf(A) Side leg(B) using Screws (F) and Bottom shelf(C) and Side leg (B) together using long screws (G).
Then, Assemble the Wheel(D)



Step 2
Carefully place the Mirror (E)